



US00D474660S

(12) **United States Design Patent**
Travis

(10) **Patent No.:** **US D474,660 S**

(45) **Date of Patent:** **** May 20, 2003**

(54) **MANUAL HOE-PLOW TOOL**

6,318,476 B1 * 11/2001 Brewer 172/371

(76) **Inventor:** **William C. Travis**, 486 Kripple Creek Rd., Athol, ID (US) 83801

* cited by examiner

(**) **Term:** **14 Years**

Primary Examiner—Pamela Burgess

(74) *Attorney, Agent, or Firm*—Keith S. Bergman

(21) **Appl. No.:** **29/159,797**

(57) **CLAIM**

(22) **Filed:** **Apr. 30, 2002**

The ornamental design for the manual hoe-plow tool, shown and described.

(51) **LOC (7) Cl.** **08-01**

DESCRIPTION

(52) **U.S. Cl.** **D8/11**

(58) **Field of Search** D8/11, 1, 5, 7;
172/371, 365, 375, 380, 381

FIG. 1 is an enlarged isometric view of a manual hoe-plow tool showing my new design, it being shown broken away for ease of illustration;

FIG. 2 is a reduced scale front elevational view thereof;

FIG. 3 is a left side view thereof;

FIG. 4 is a back view thereof;

FIG. 5 is a right side view thereof;

FIG. 6 is an enlarged bottom view thereof; and,

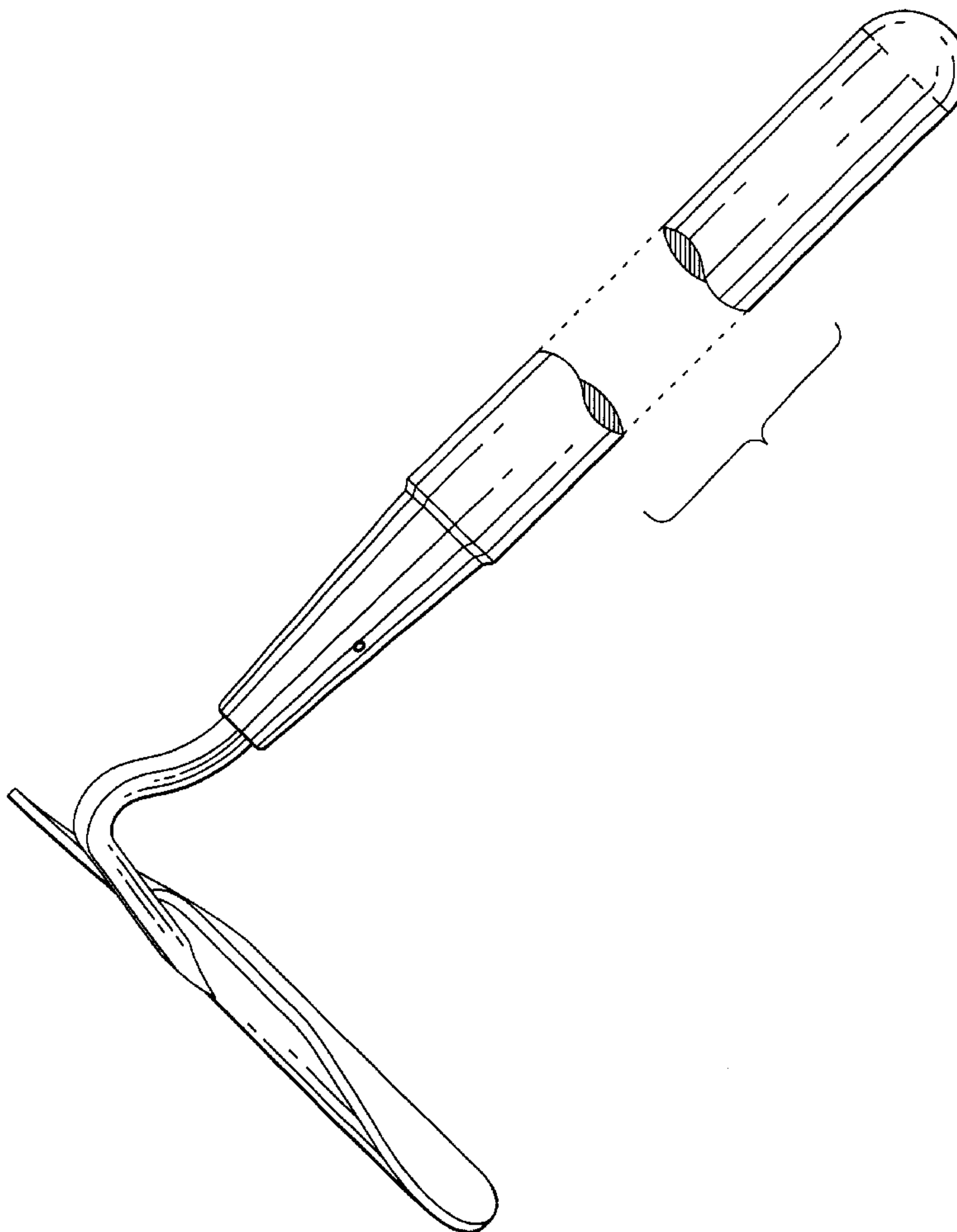
FIG. 7 is an enlarged top view thereof.

(56) **References Cited**

U.S. PATENT DOCUMENTS

| | | | | | |
|-------------|---|---------|-------------|-------|---------|
| 816,362 A | * | 3/1906 | Nyswonger | | 172/375 |
| 1,190,108 A | * | 7/1916 | Chabot | | 172/375 |
| D254,593 S | * | 4/1980 | Maxwell | | D8/11 |
| D429,126 S | * | 8/2000 | Murdukhayev | | D8/1 |
| D431,980 S | * | 10/2000 | Yarbrough | | D8/11 |

1 Claim, 2 Drawing Sheets



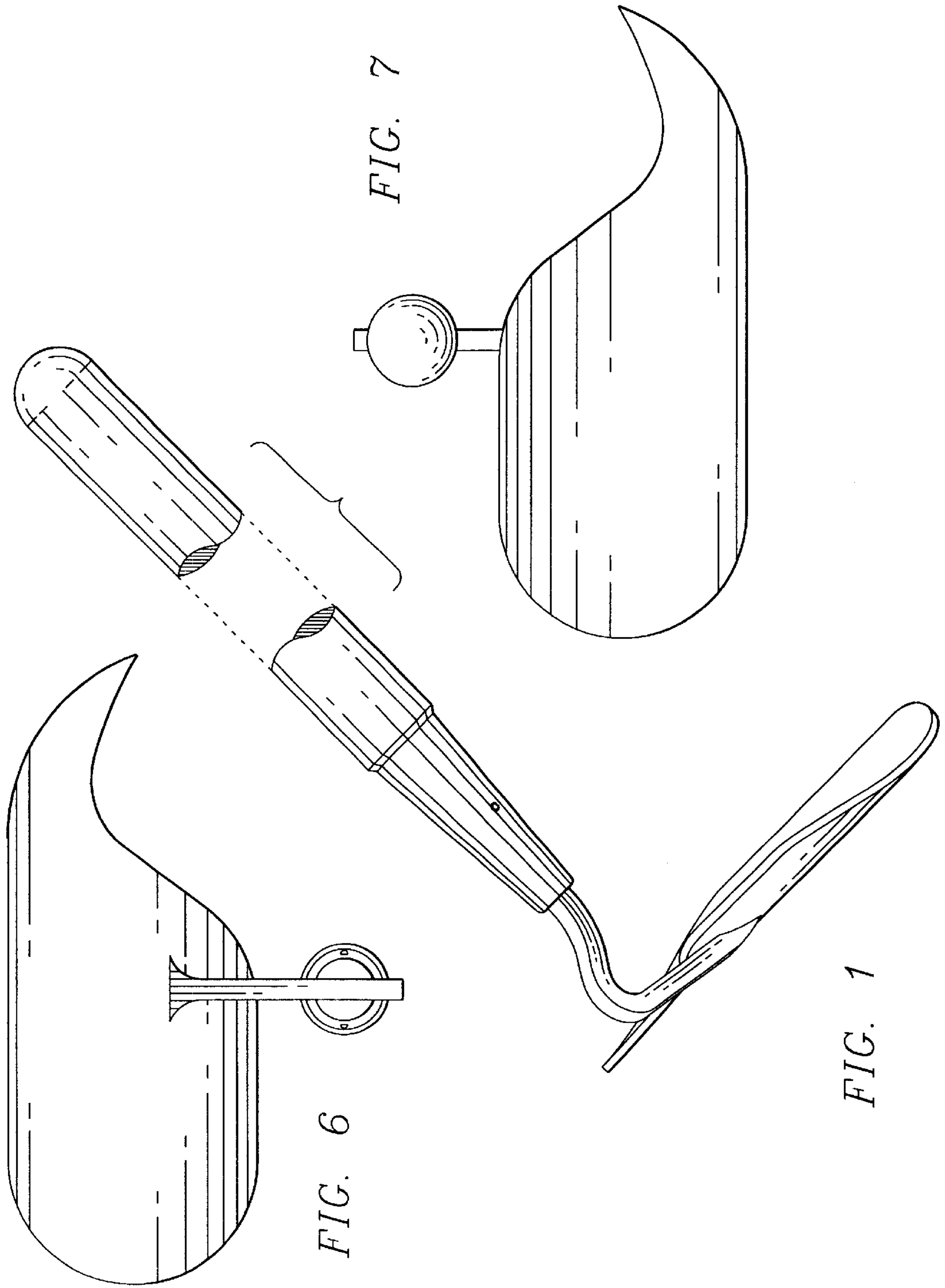


FIG. 7

FIG. 6

FIG. 1

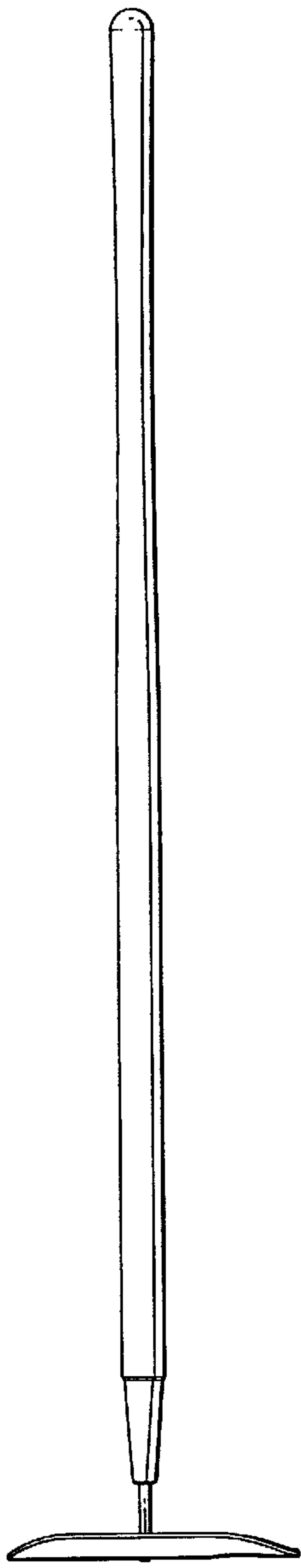


FIG. 2

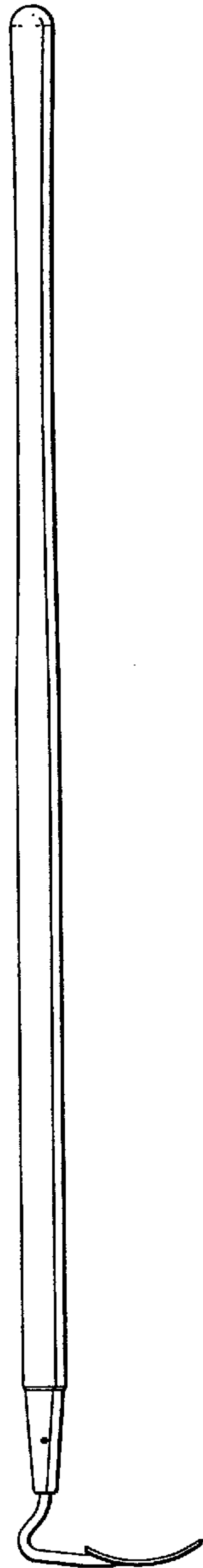


FIG. 3

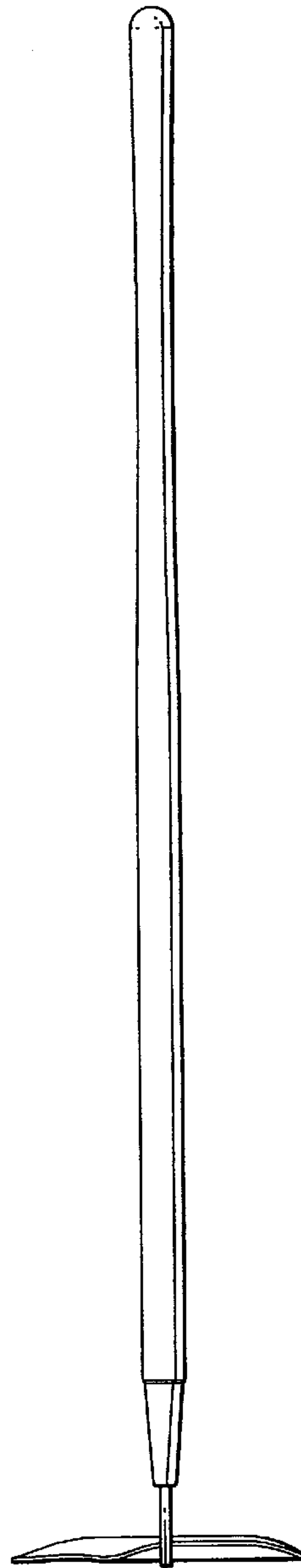


FIG. 4

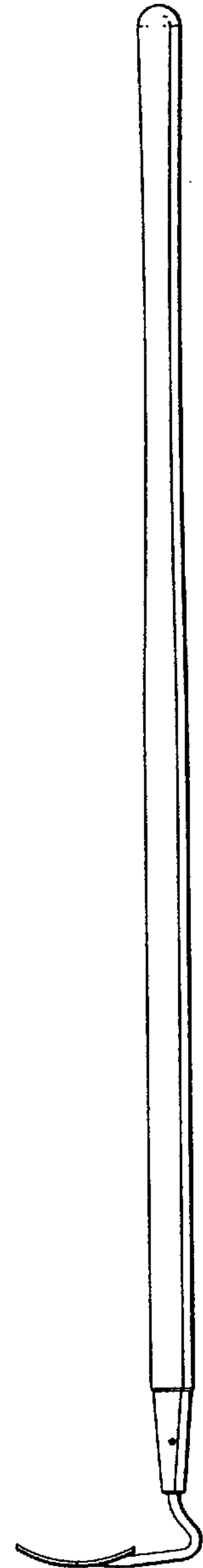


FIG. 5