



US00D474659S

(12) **United States Design Patent**
Sulier

(10) **Patent No.:** **US D474,659 S**

(45) **Date of Patent:** **** May 20, 2003**

(54) **BLADE FOR AN EARTH WORKING TOOL**

(76) Inventor: **Cornelius W. Sulier**, 111 Conn Ter.,
Lexington, KY (US) 40503

(**) Term: **14 Years**

(21) Appl. No.: **29/164,835**

(22) Filed: **Aug. 1, 2002**

(51) **LOC (7) Cl.** **08-01**

(52) **U.S. Cl.** **D8/9**

(58) **Field of Search** D8/1, 9, 11, 7,
D8/13; D28/21; D30/159, 162; 7/114-116;
172/371-372, 375-376

(56) **References Cited**

U.S. PATENT DOCUMENTS

32,982 A *	8/1861	Crapo	172/380
387,806 A *	8/1888	Parker	172/375
499,251 A *	6/1893	Rockey	172/380
2,280,778 A *	4/1942	Anderson	172/371
D297,801 S *	9/1988	Olsson	D8/14
D317,854 S *	7/1991	Pifalo	D8/11
D384,867 S *	10/1997	Willis	D8/13
D390,762 S *	2/1998	Douglas	D8/13

* cited by examiner

Primary Examiner—Pamela Burgess

(74) *Attorney, Agent, or Firm*—Kenneth F. Pearce

(57) **CLAIM**

The ornamental design for a blade for an earth working tool,
as shown and described.

DESCRIPTION

FIG. 1 is a front elevational view of a blade for an earth
working tool showing my new design;

FIG. 2 is a bottom plan view thereof;

FIG. 3 is a side elevational view thereof;

FIG. 4 is a rear elevational view thereof;

FIG. 5 is a top plan view thereof;

FIG. 6 is a side elevational view thereof with alternate
broken line disclosure;

FIG. 7 is a side elevational view thereof with alternate
broken line disclosure; and,

FIG. 8 is an enlarged side elevational view thereof.

The broken lines shown in FIGS. 3, 6 and 7 are for
illustrative purposes only and form no part of the claimed
design.

1 Claim, 2 Drawing Sheets

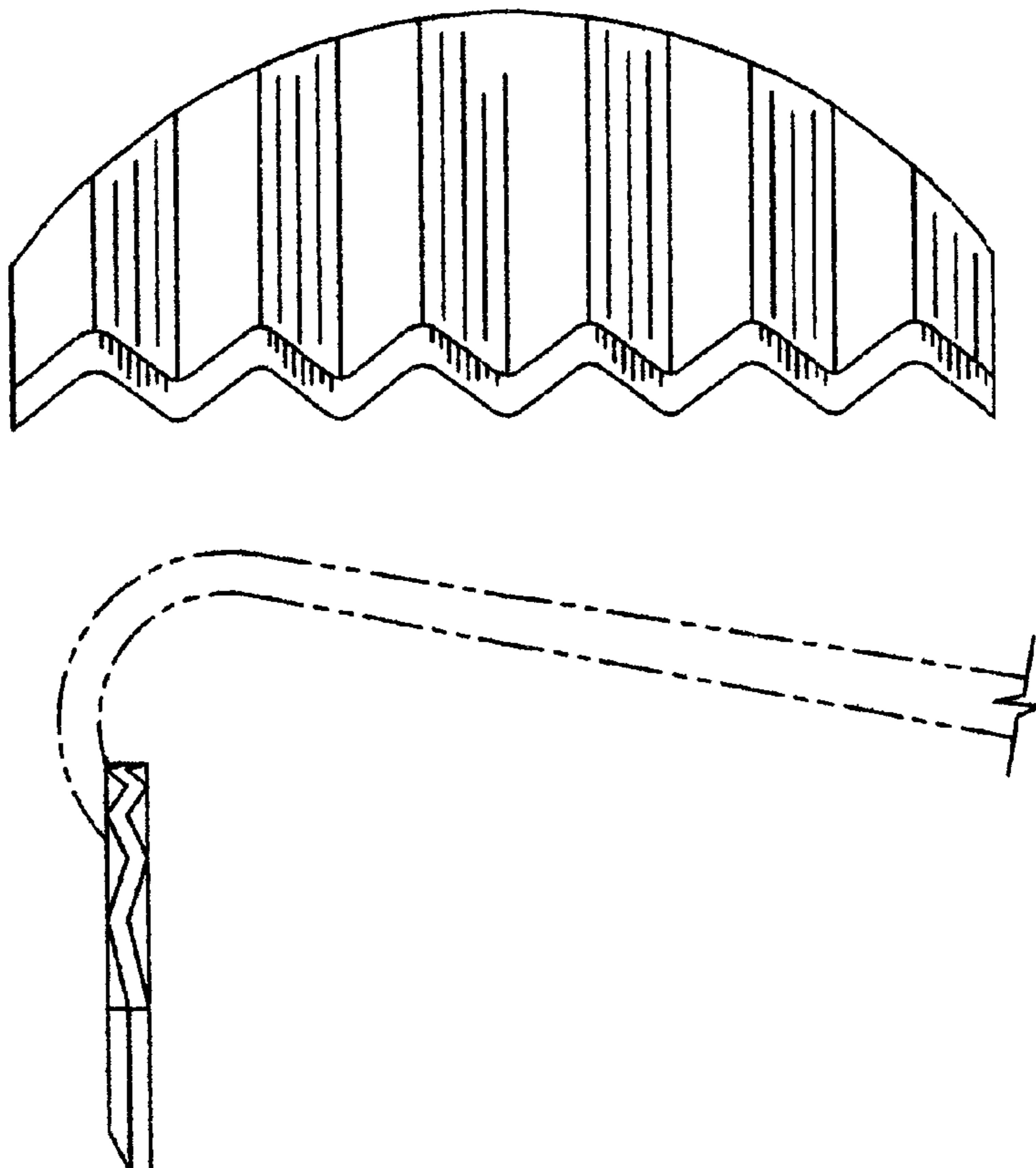




FIGURE 5

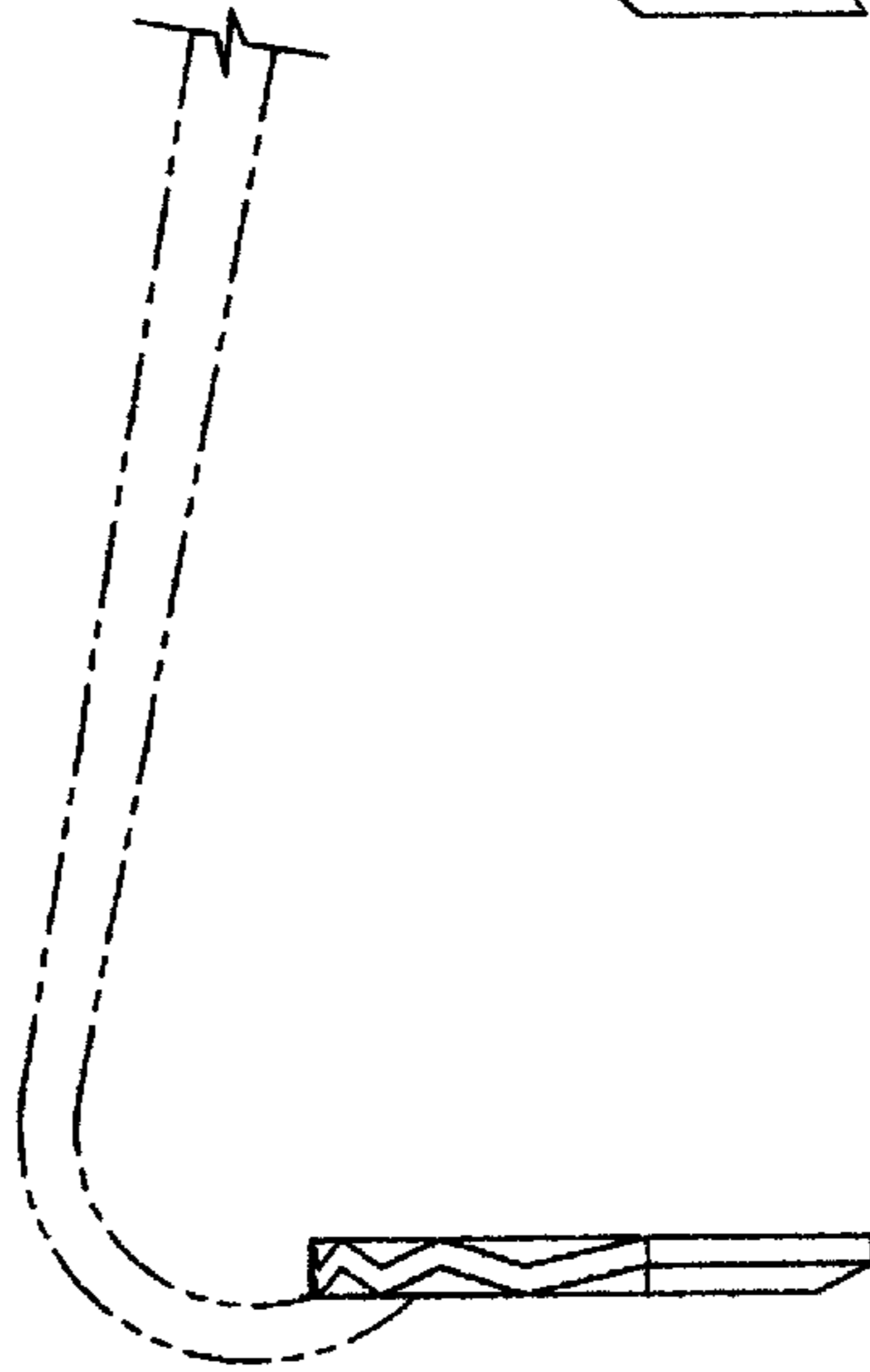


FIGURE 3

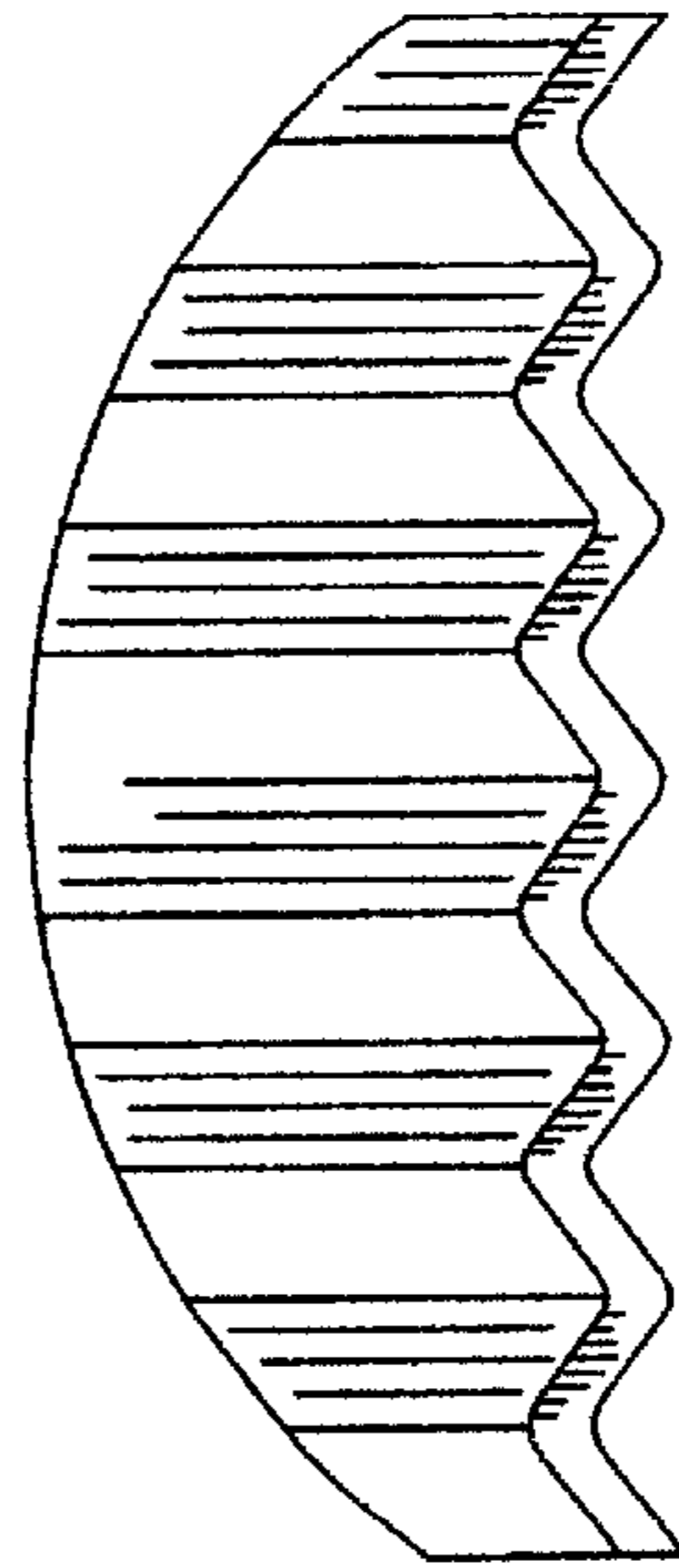


FIGURE 1



FIGURE 2

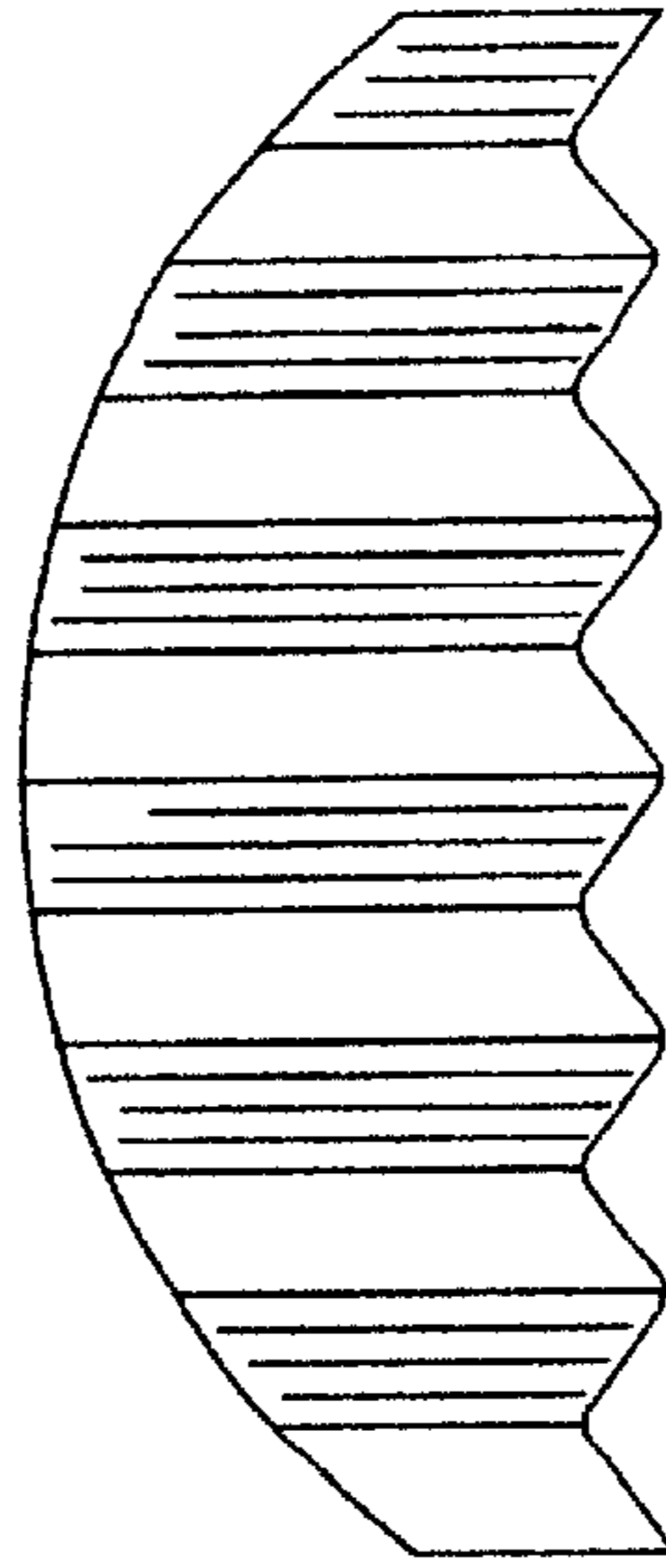


FIGURE 4

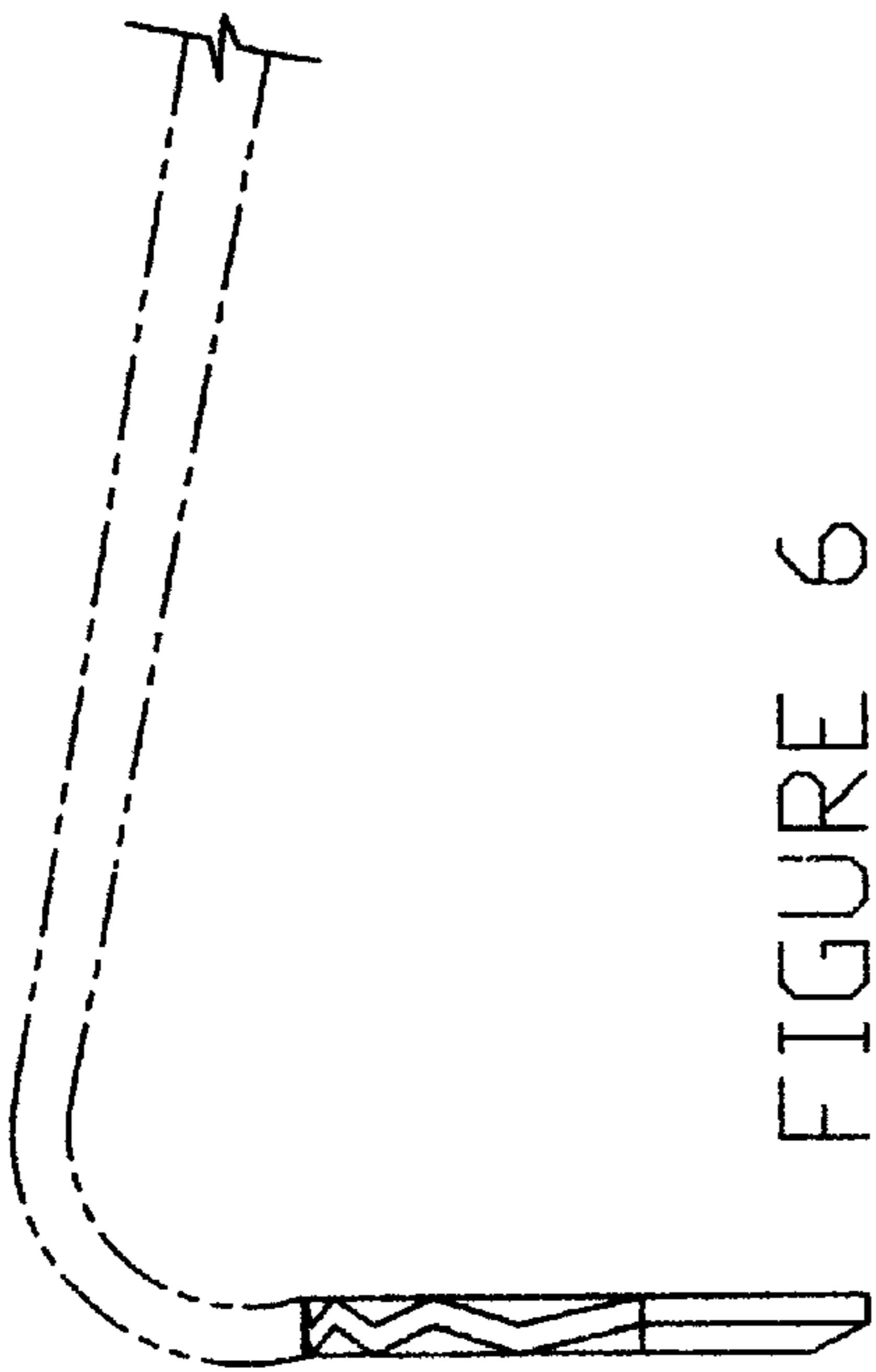


FIGURE 6

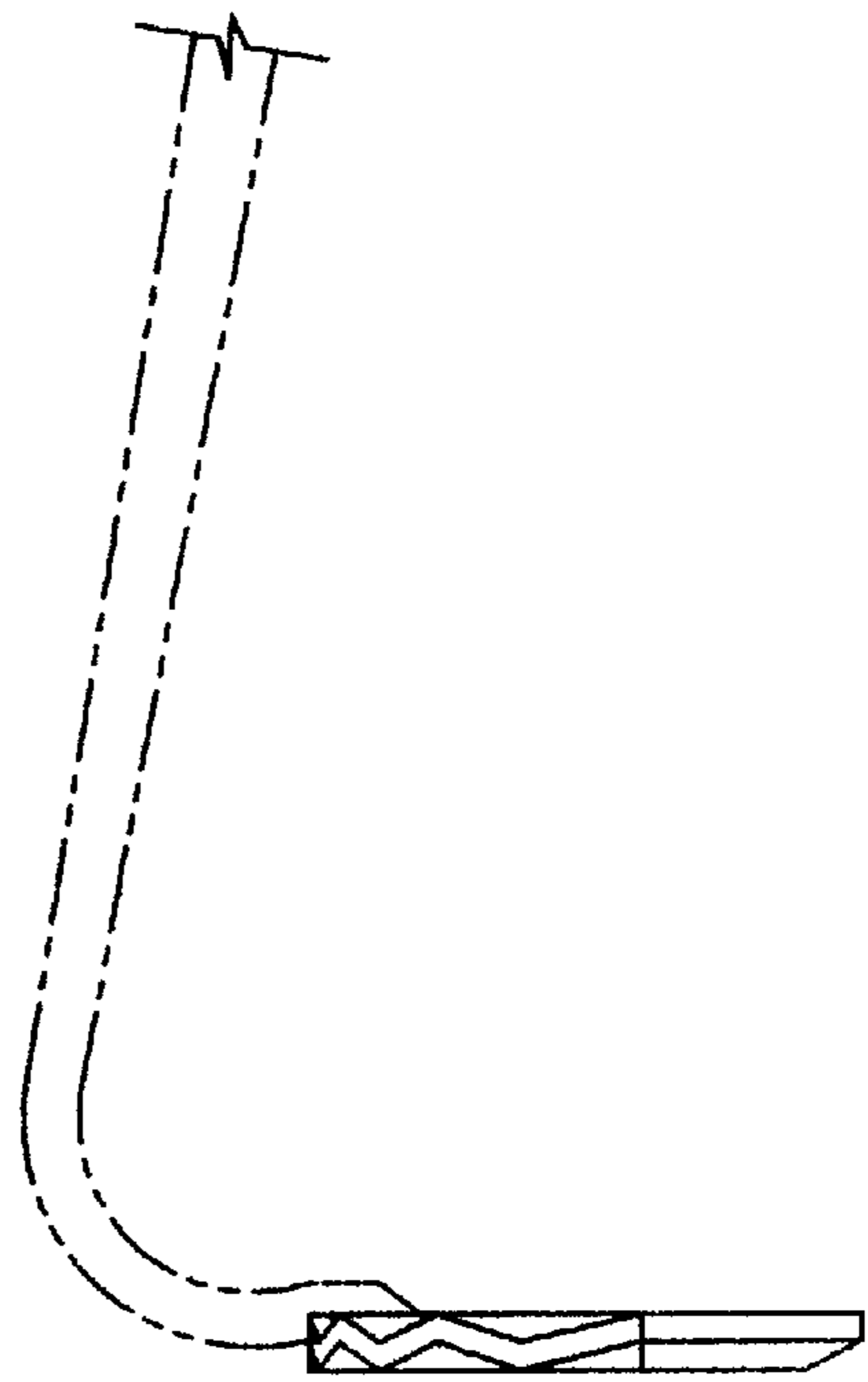


FIGURE 7



FIGURE 8