



US00D474654S

(12) **United States Design Patent**
Hasegawa

(10) **Patent No.:** **US D474,654 S**

(45) **Date of Patent:** **** May 20, 2003**

(54) **KITCHEN UTENSIL HANDLE**

(75) Inventor: **Katsumi Hasegawa, Seki (JP)**

(73) Assignee: **Kai R&D Center Co., Ltd. (JP)**

(**) Term: **14 Years**

(21) Appl. No.: **29/165,278**

(22) Filed: **Aug. 8, 2002**

(30) **Foreign Application Priority Data**

Feb. 14, 2002 (JP) 2002-003592

(51) **LOC (7) Cl.** **07-03**

(52) **U.S. Cl.** **D7/649; D7/401.2**

(58) **Field of Search** **D7/642, 645, 649,**
D7/650, 652, 401.2; 30/147-150, 322-328,
329, 340, 342-345

(56) **References Cited**

U.S. PATENT DOCUMENTS

D122,057 S	*	8/1940	Johnson	D7/649
D236,579 S	*	9/1975	Morback	D7/649
D337,022 S	*	7/1993	Sheets	D7/401.2
D358,529 S	*	5/1995	Rich	D7/401.2
D389,014 S	*	1/1998	Hasegawa	D7/401.2
D445,313 S	*	7/2001	Jorge	D7/649

* cited by examiner

Primary Examiner—Caron D. Veynar

(74) *Attorney, Agent, or Firm*—Banner & Witcoff, Ltd.

(57) **CLAIM**

The ornamental design for a kitchen utensil handle, as shown and described.

DESCRIPTION

FIG. 1 is a left side elevational view of a kitchen utensil handle showing my new design, the right side elevational view being a mirror image thereof;

FIG. 2 is a top plan view thereof;

FIG. 3 is a bottom plan view thereof;

FIG. 4 is a rear elevational view thereof;

FIG. 5 is a front elevational view thereof;

FIG. 6 is a cross-sectional view taken along line 6—6 in FIG. 2;

FIG. 7 is a cross-sectional view taken along line 7—7 in FIG. 1;

FIG. 8 is a cross-sectional view taken along line 8—8 in FIG. 1;

FIG. 9 is a cross-sectional view taken along line 9—9 in FIG. 1; and,

FIG. 10 is a perspective view thereof.

1 Claim, 3 Drawing Sheets

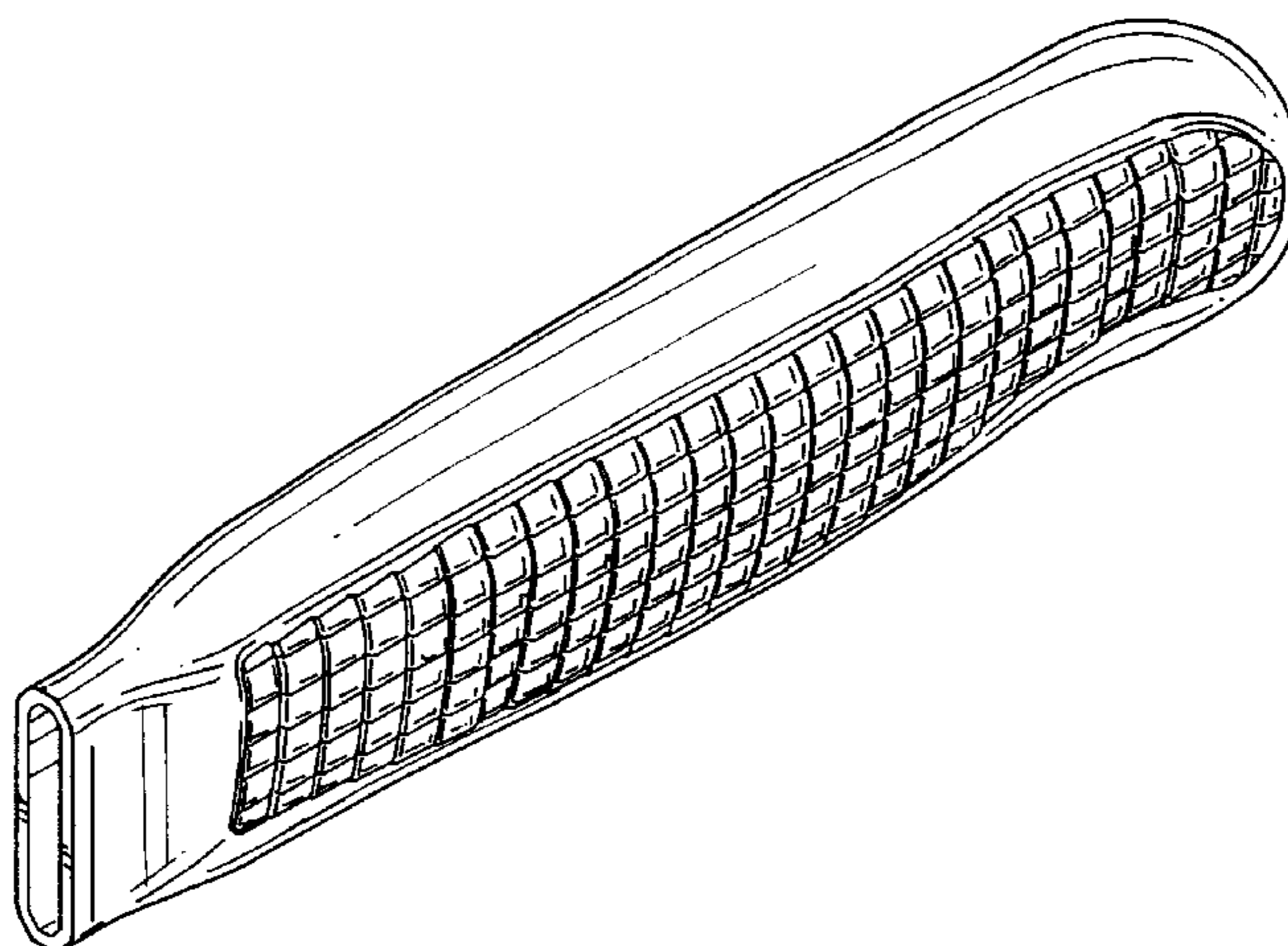
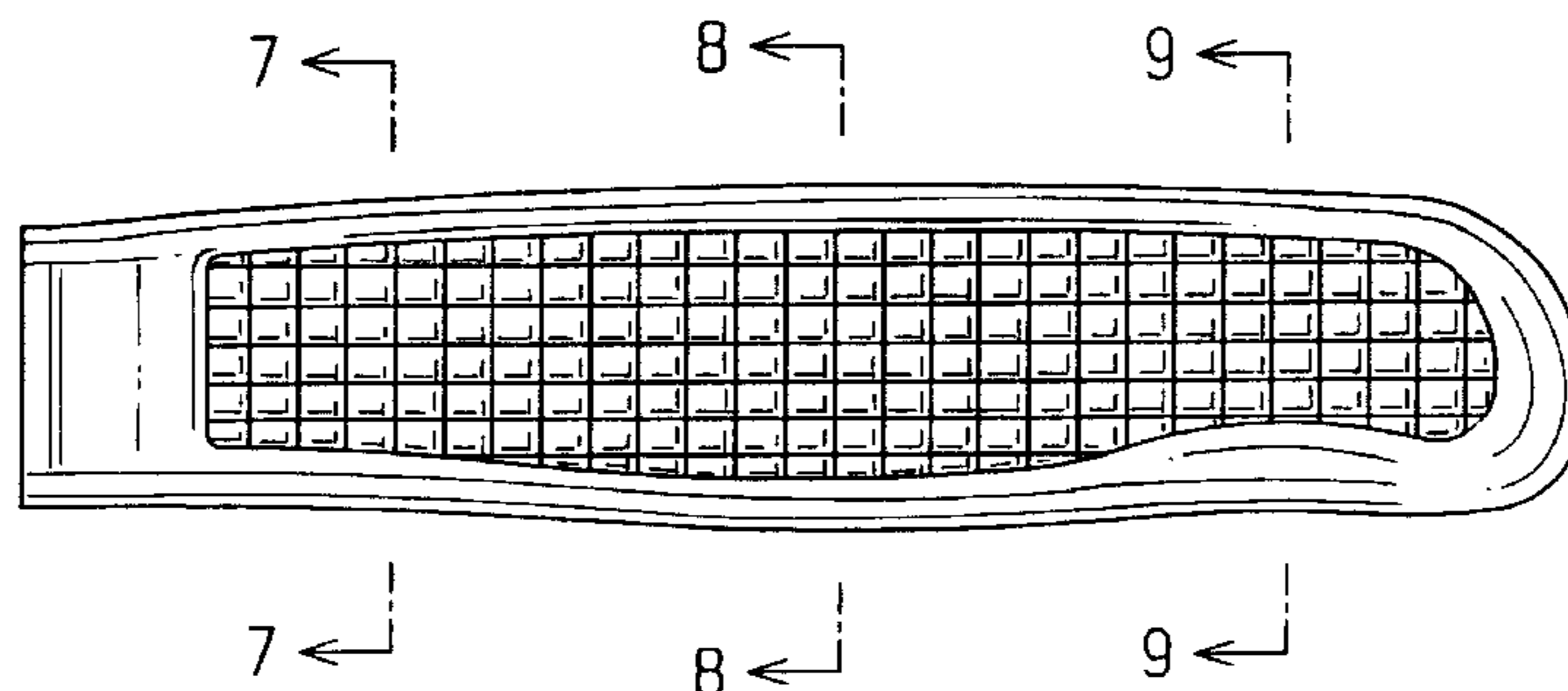


Fig. 1

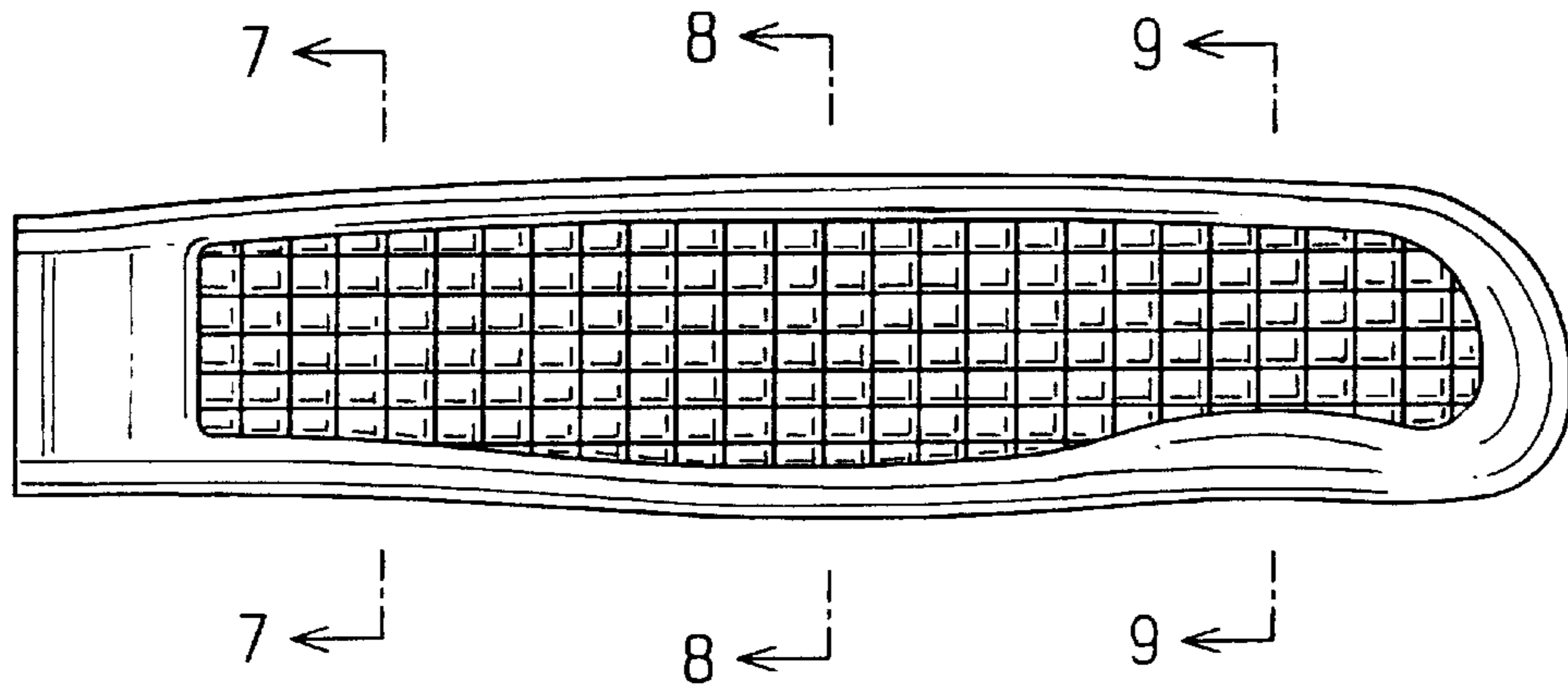


Fig. 2

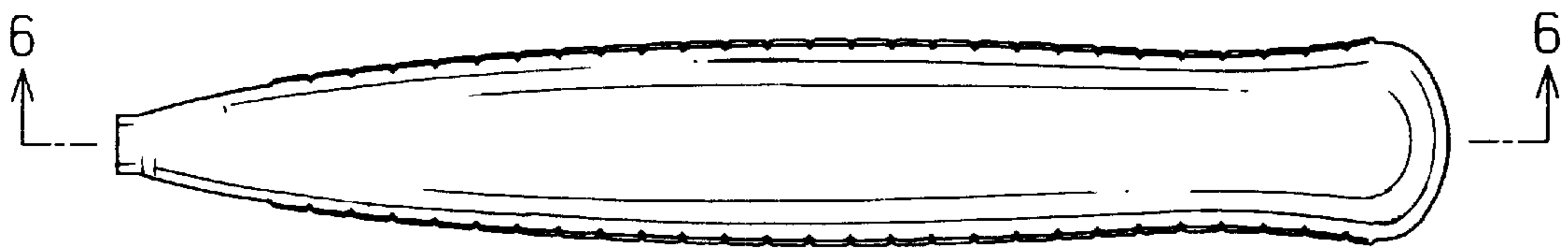


Fig. 3

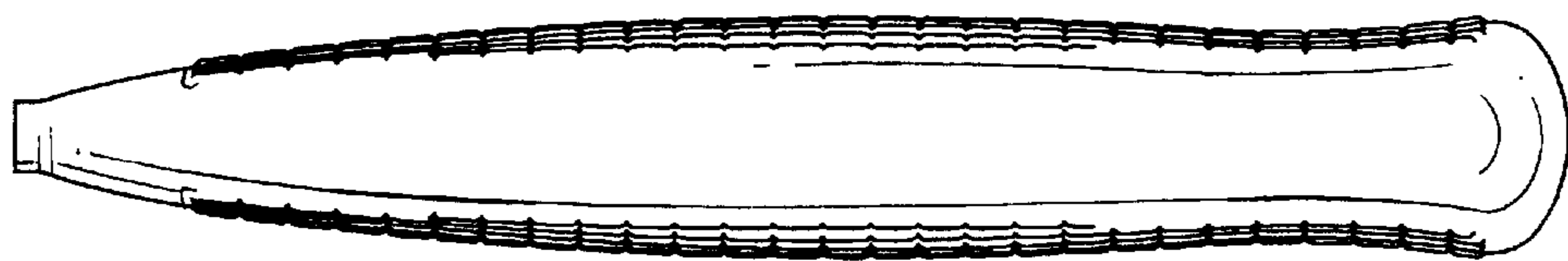


Fig. 4

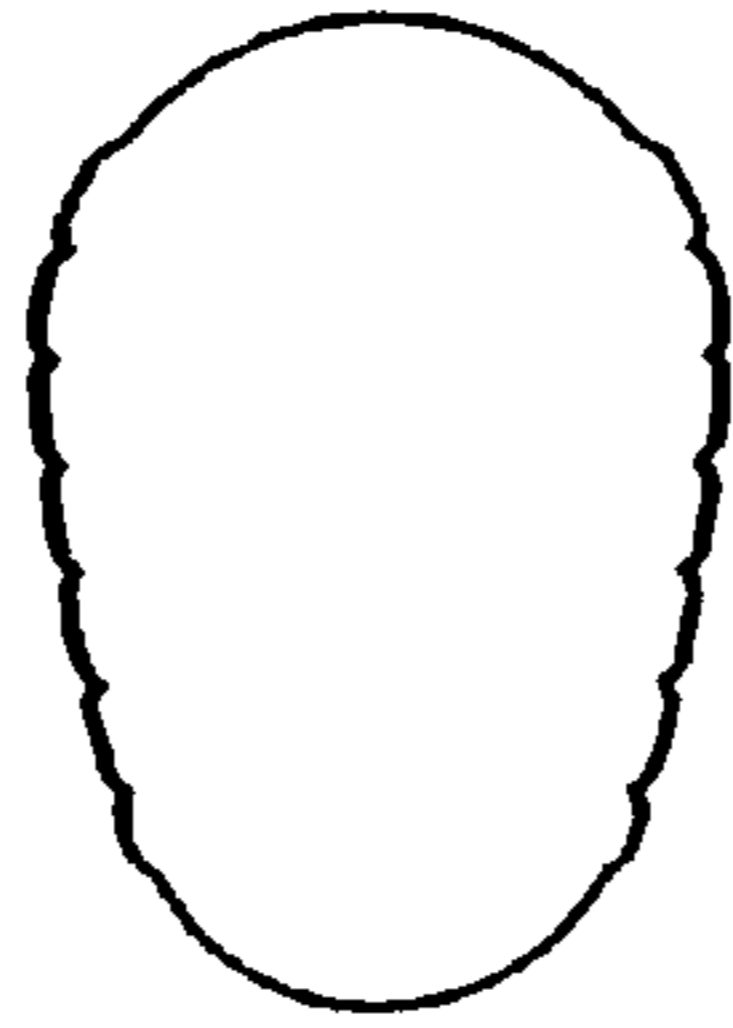


Fig. 5

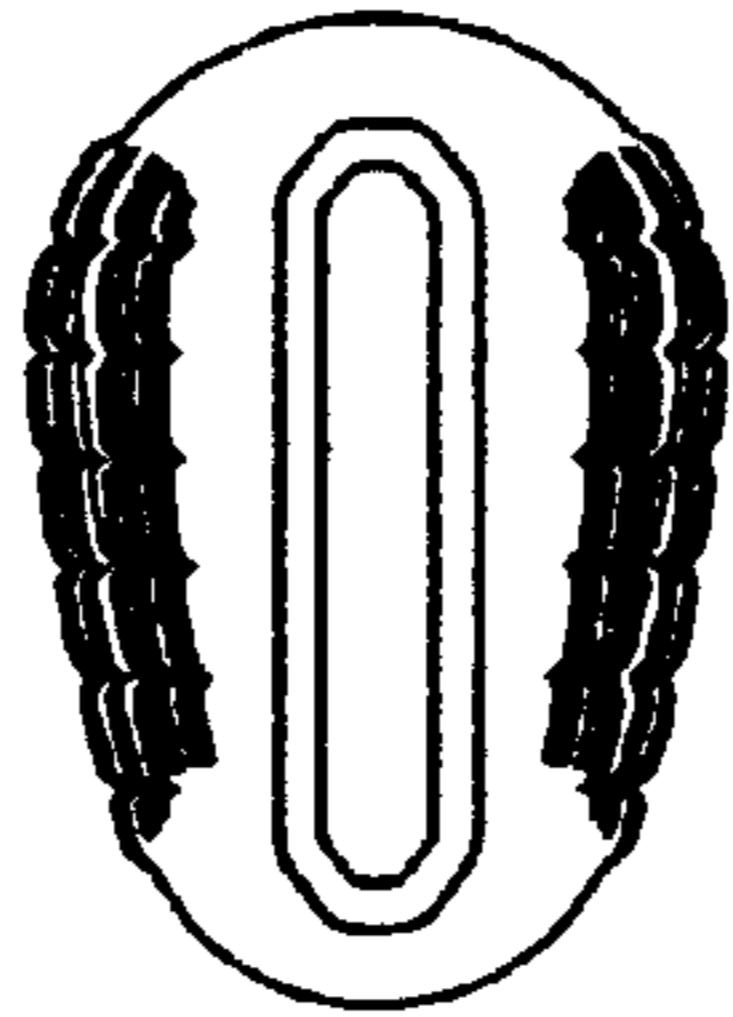


Fig. 6

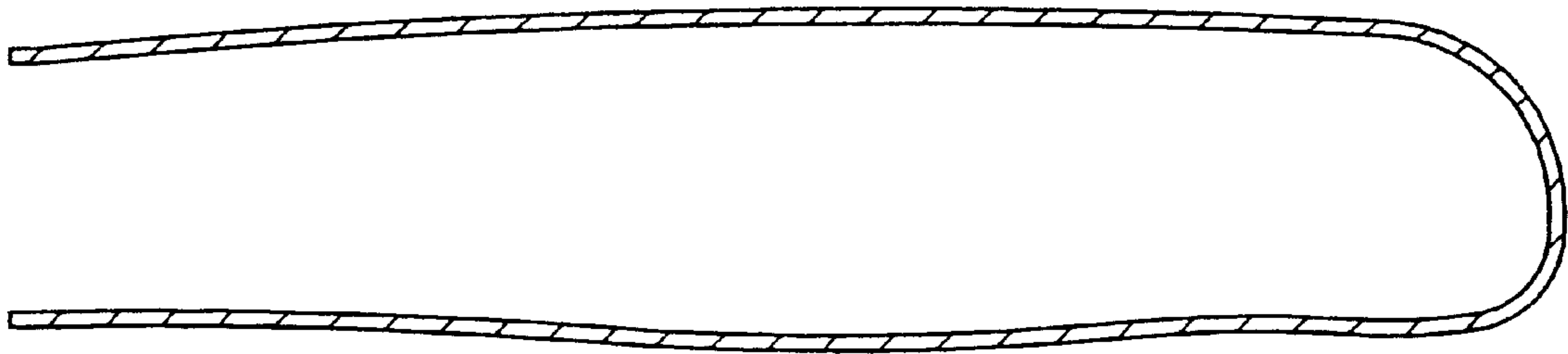


Fig. 7

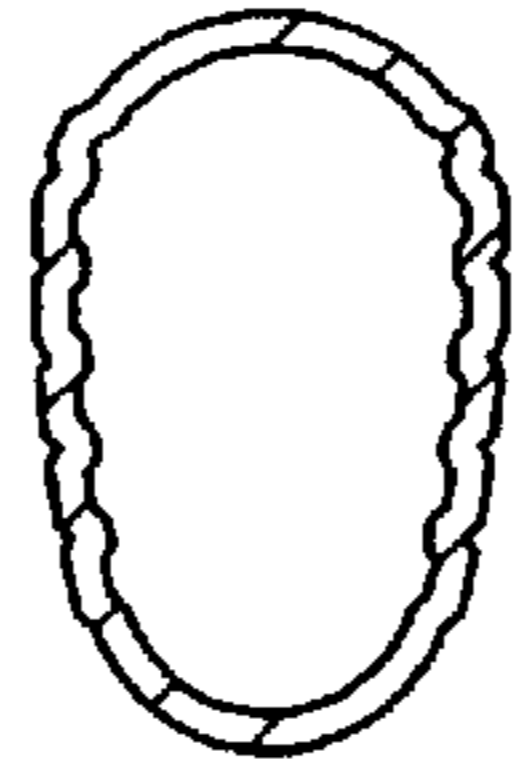


Fig. 8

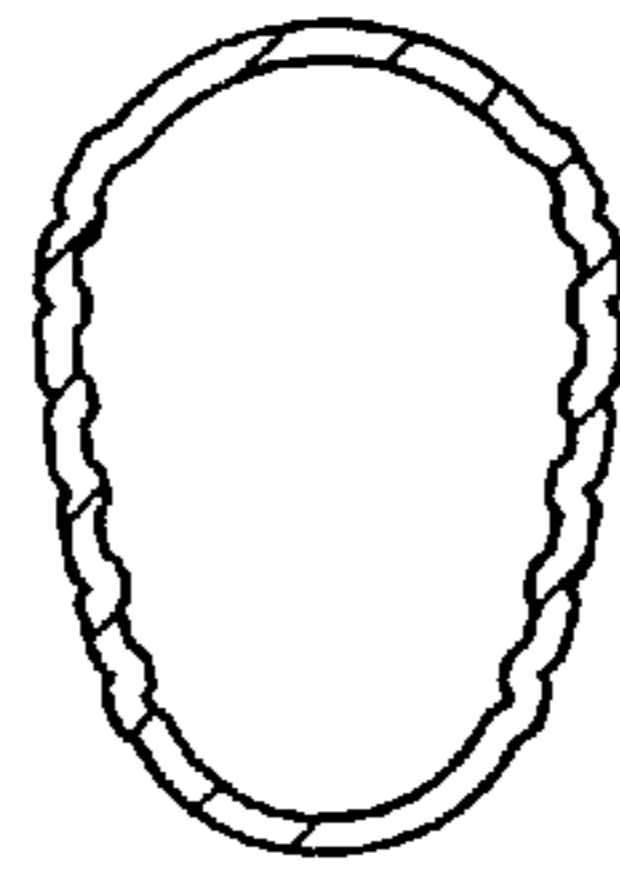


Fig. 9

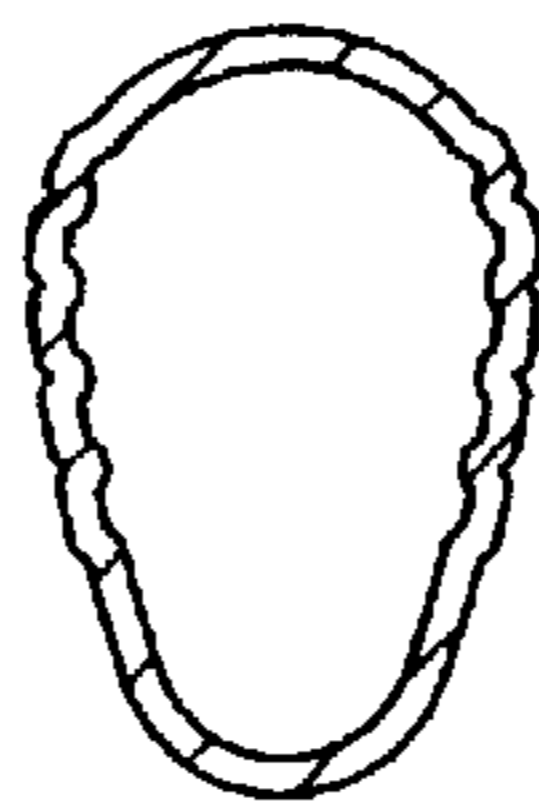


Fig. 10

