



US00D474652S

(12) **United States Design Patent**
Chan

(10) **Patent No.:** **US D474,652 S**

(45) **Date of Patent:** **** May 20, 2003**

(54) **TABLE SERVER**

(75) **Inventor:** **Man-Yan Chan, Kowloon (HK)**

(73) **Assignee:** **Sunflower Holdings Limited, Tortola (VG)**

(**) **Term:** **14 Years**

(21) **Appl. No.:** **29/160,299**

(22) **Filed:** **May 8, 2002**

(51) **LOC (7) Cl.** **07-06**

(52) **U.S. Cl.** **D7/620**

(58) **Field of Search** D7/619-625; 211/74,
211/75; 248/210, 302, 311.1, 312.1, 309.1,
315; D6/512, 524, 546-550, 566, 403;
D11/143, 148, 152

(56) **References Cited**

U.S. PATENT DOCUMENTS

- 2,601,571 A * 6/1952 Sverkerson 211/74
- 3,239,180 A * 3/1966 Bachmann 248/210
- 4,418,883 A * 12/1983 Cohen 248/311.2
- D279,533 S * 7/1985 Gildart D7/603

- D297,695 S * 9/1988 Dessart D7/620
- D307,851 S * 5/1990 Polidoros D7/620 X
- 5,609,318 A * 3/1997 Scheh 248/311.2

* cited by examiner

Primary Examiner—Terry A. Wallace

(74) *Attorney, Agent, or Firm*—Alix, Yale & Ristas, LLP

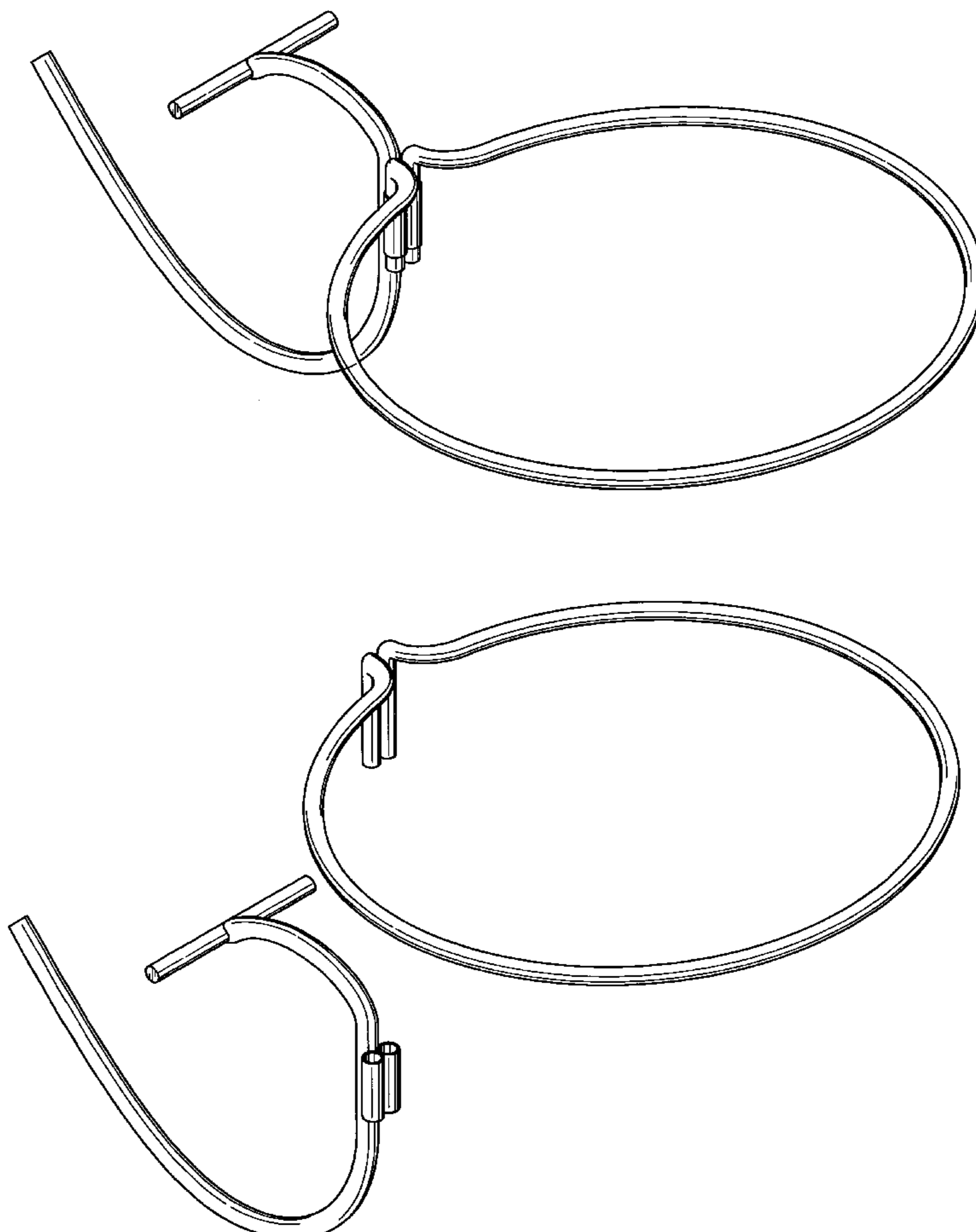
(57) **CLAIM**

The ornamental design for a table server, as shown and described.

DESCRIPTION

FIG. 1 is a front perspective view of a table server showing my new design;
 FIG. 2 is a front perspective view with parts separated thereof;
 FIG. 3 is a front elevational view thereof;
 FIG. 4 is a rear elevational view thereof;
 FIG. 5 is a top plan view thereof;
 FIG. 6 is a bottom plan view thereof;
 FIG. 7 is a left side elevational view thereof; and,
 FIG. 8 is a right side elevational view thereof.

1 Claim, 6 Drawing Sheets



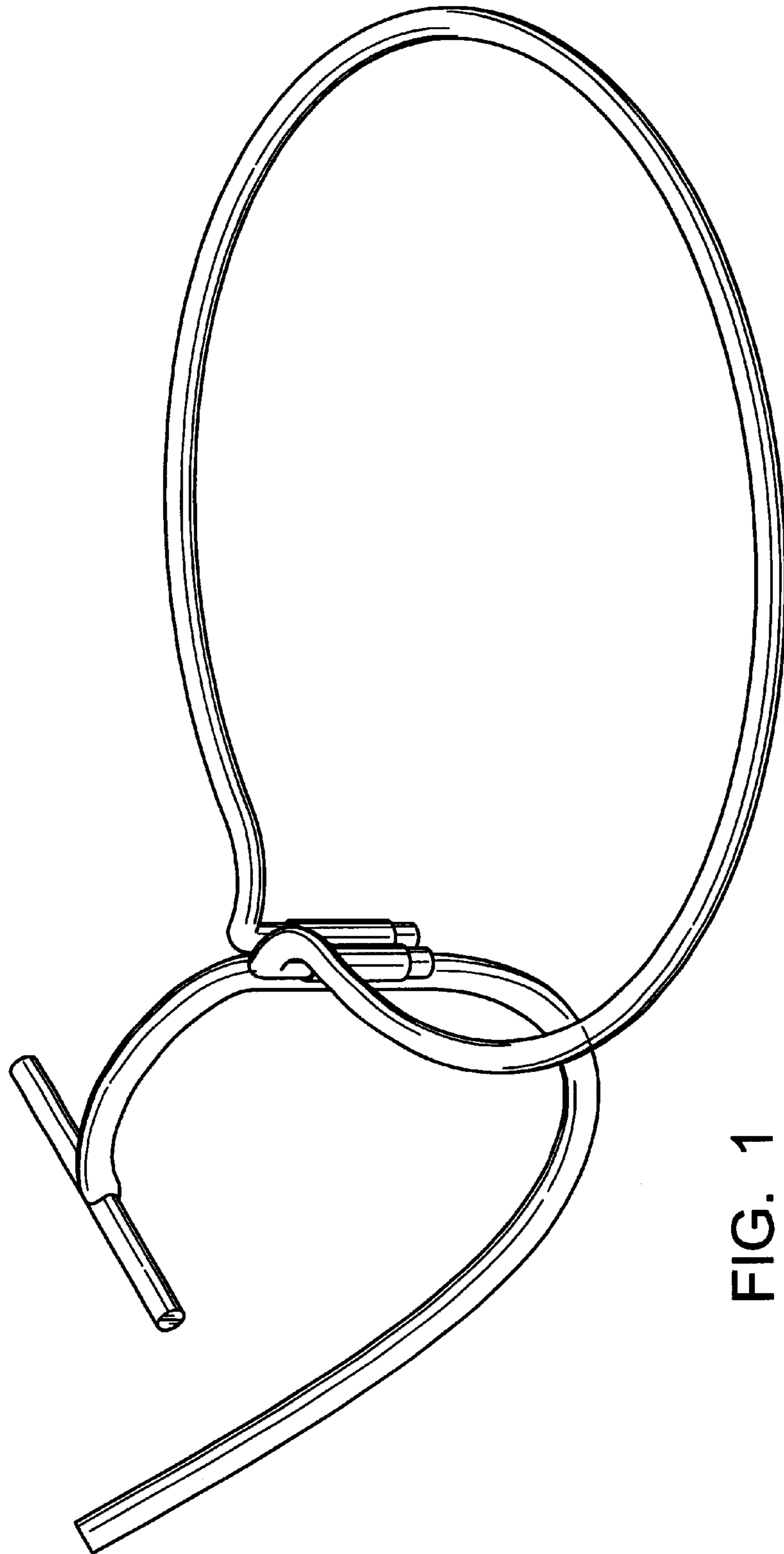


FIG. 1

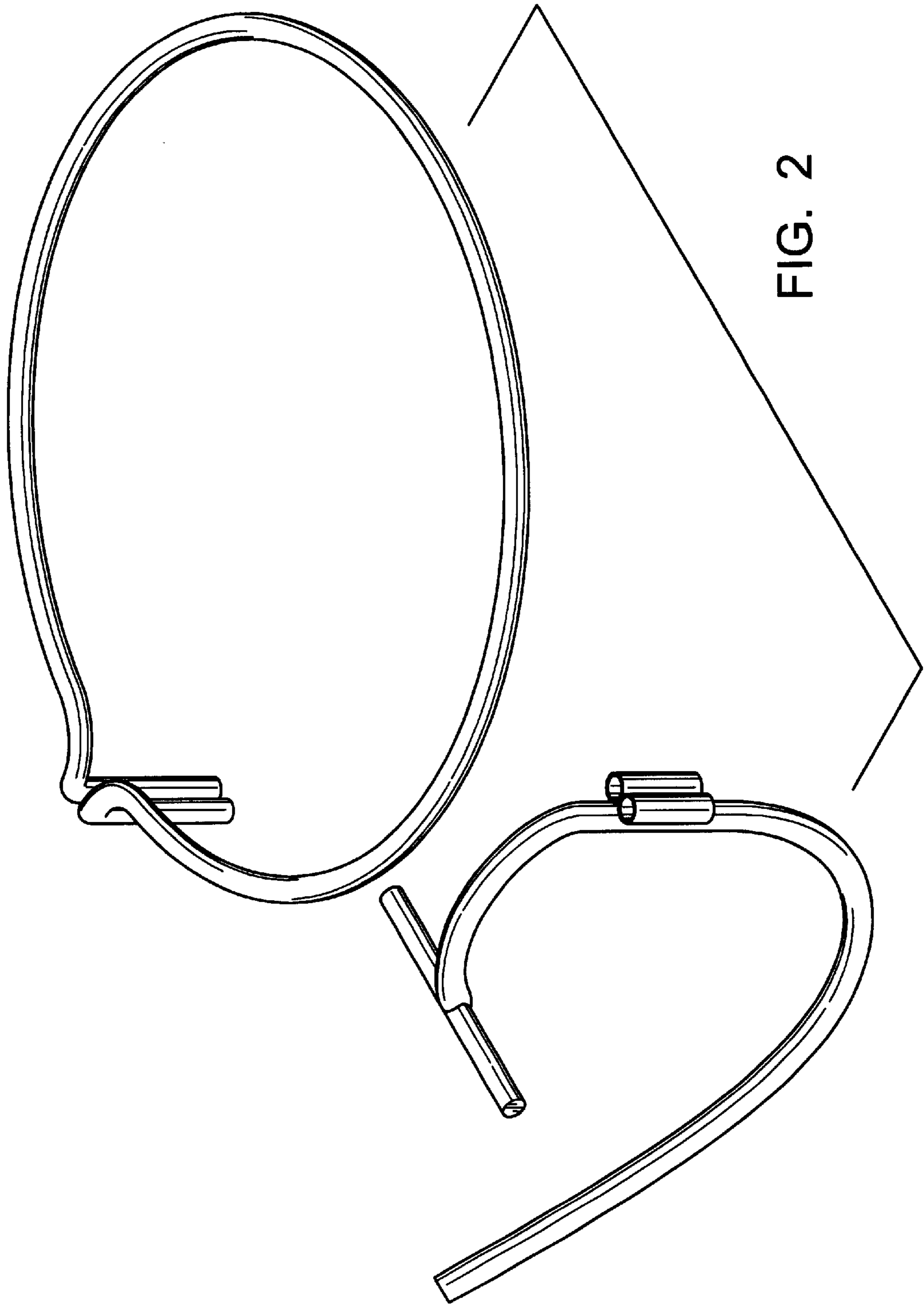


FIG. 2

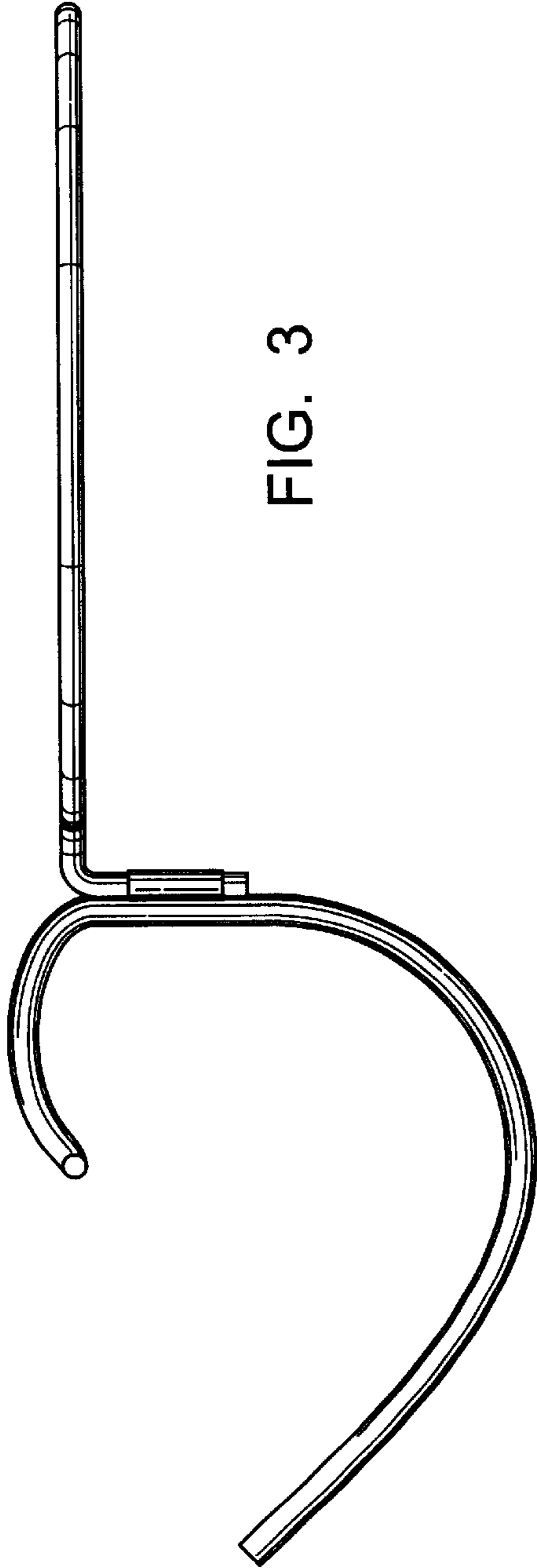


FIG. 3

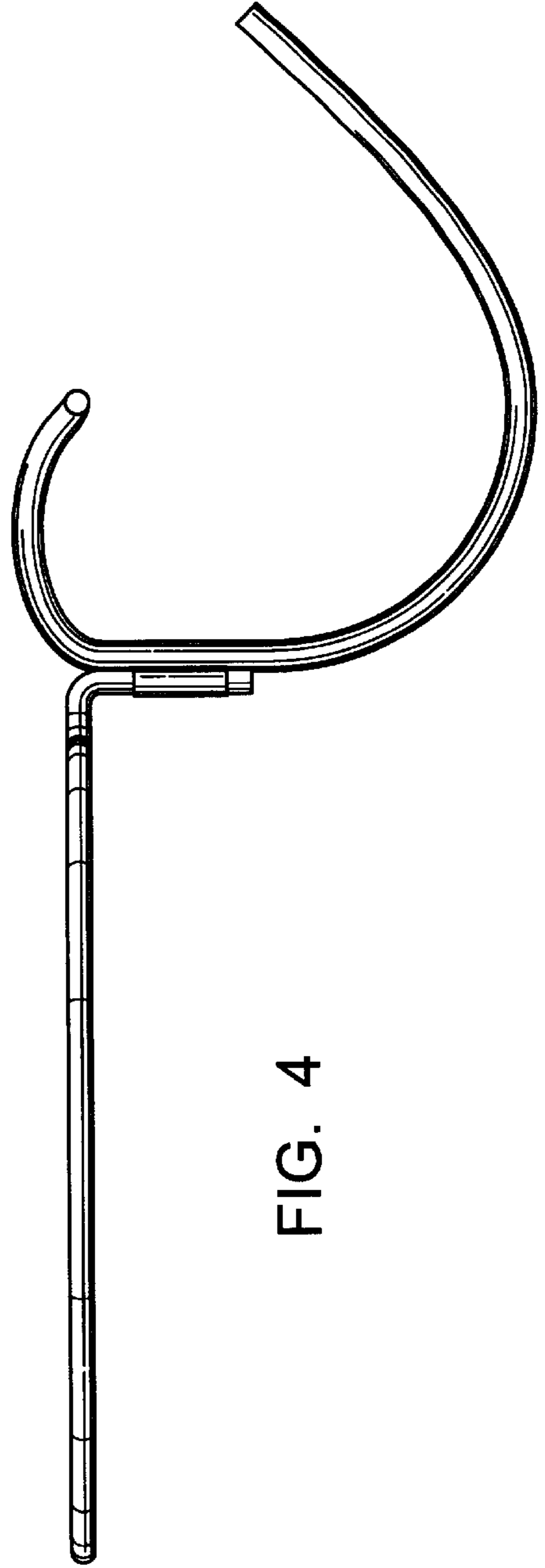


FIG. 4

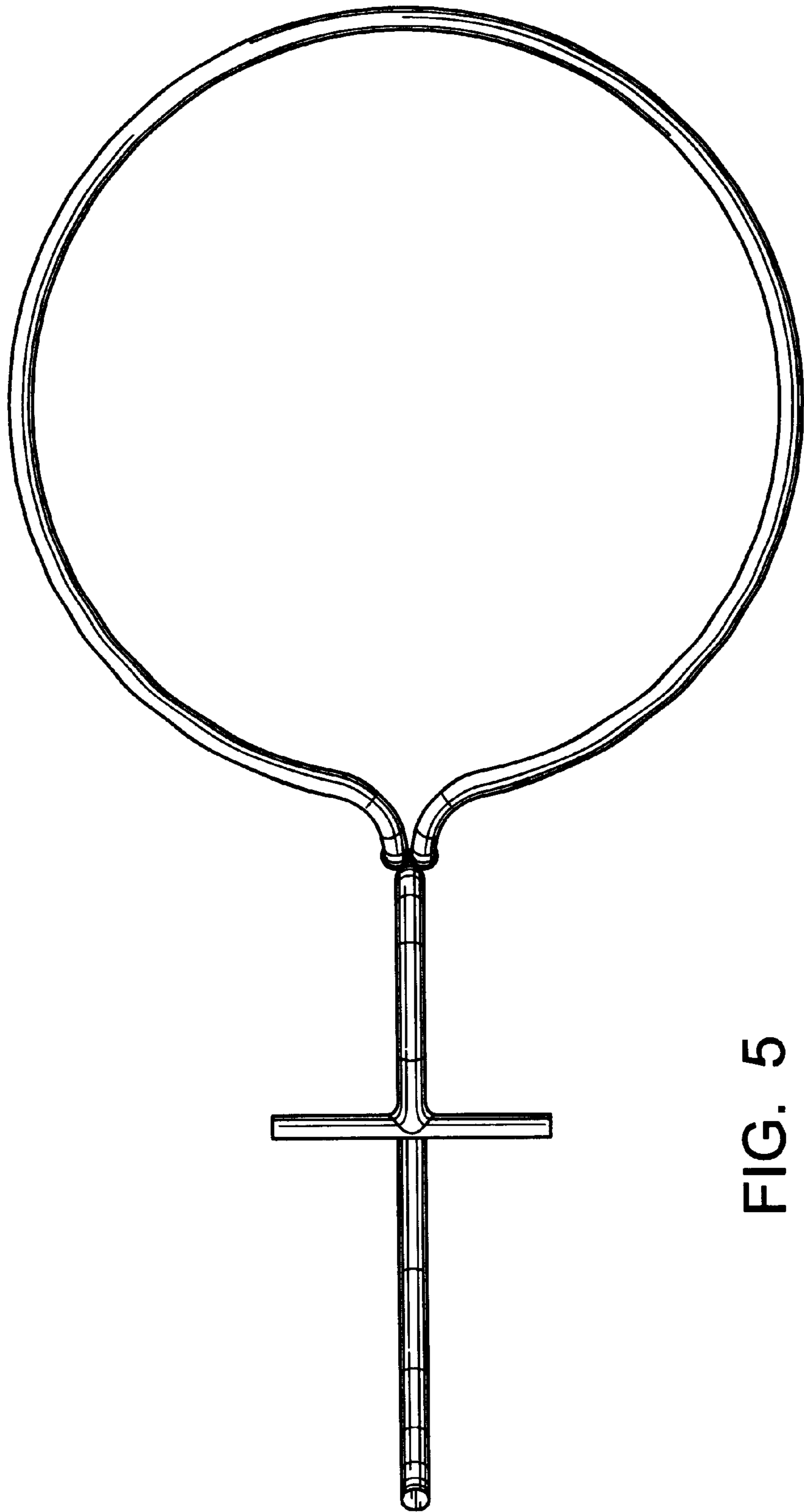


FIG. 5

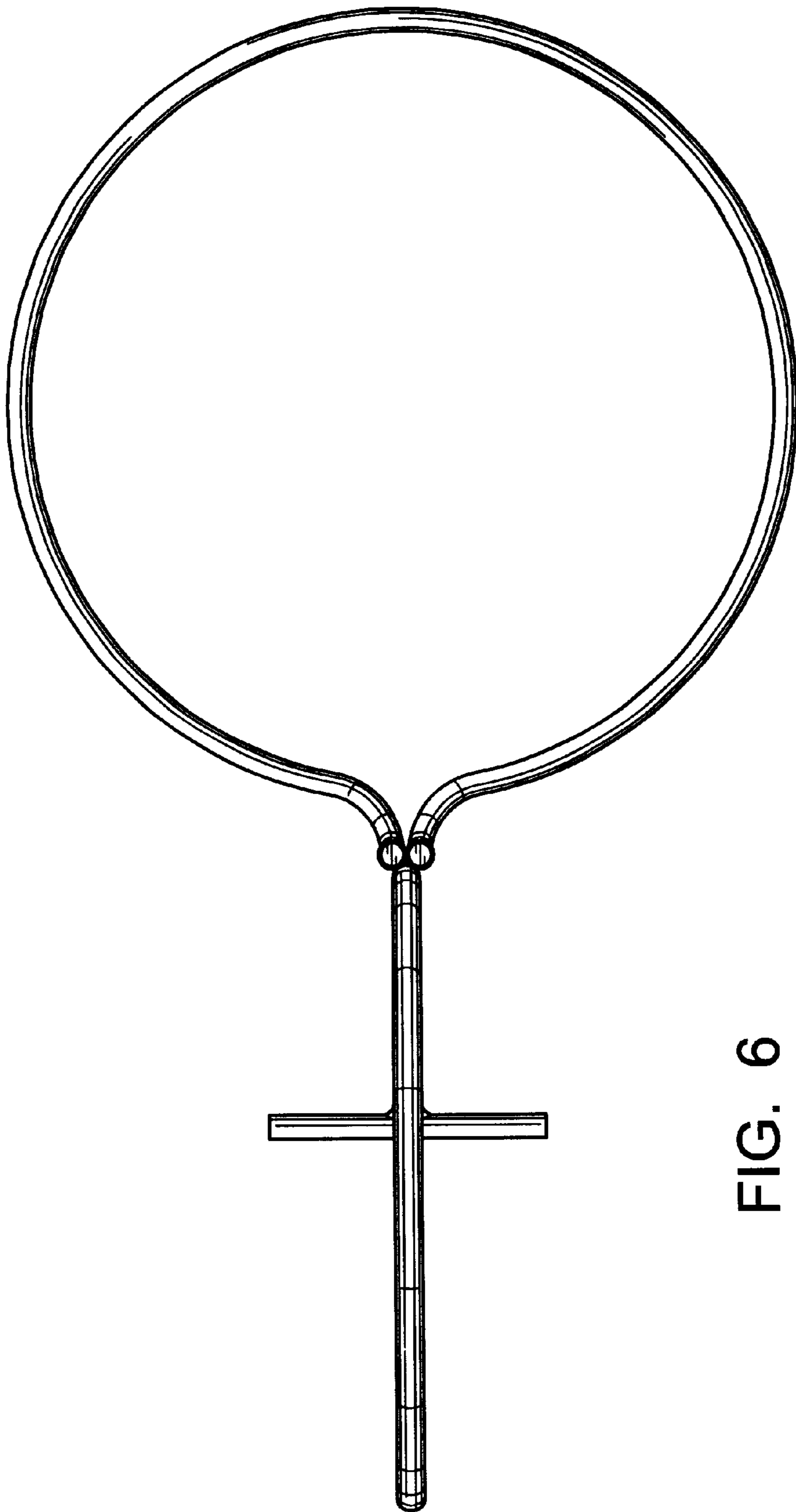


FIG. 6

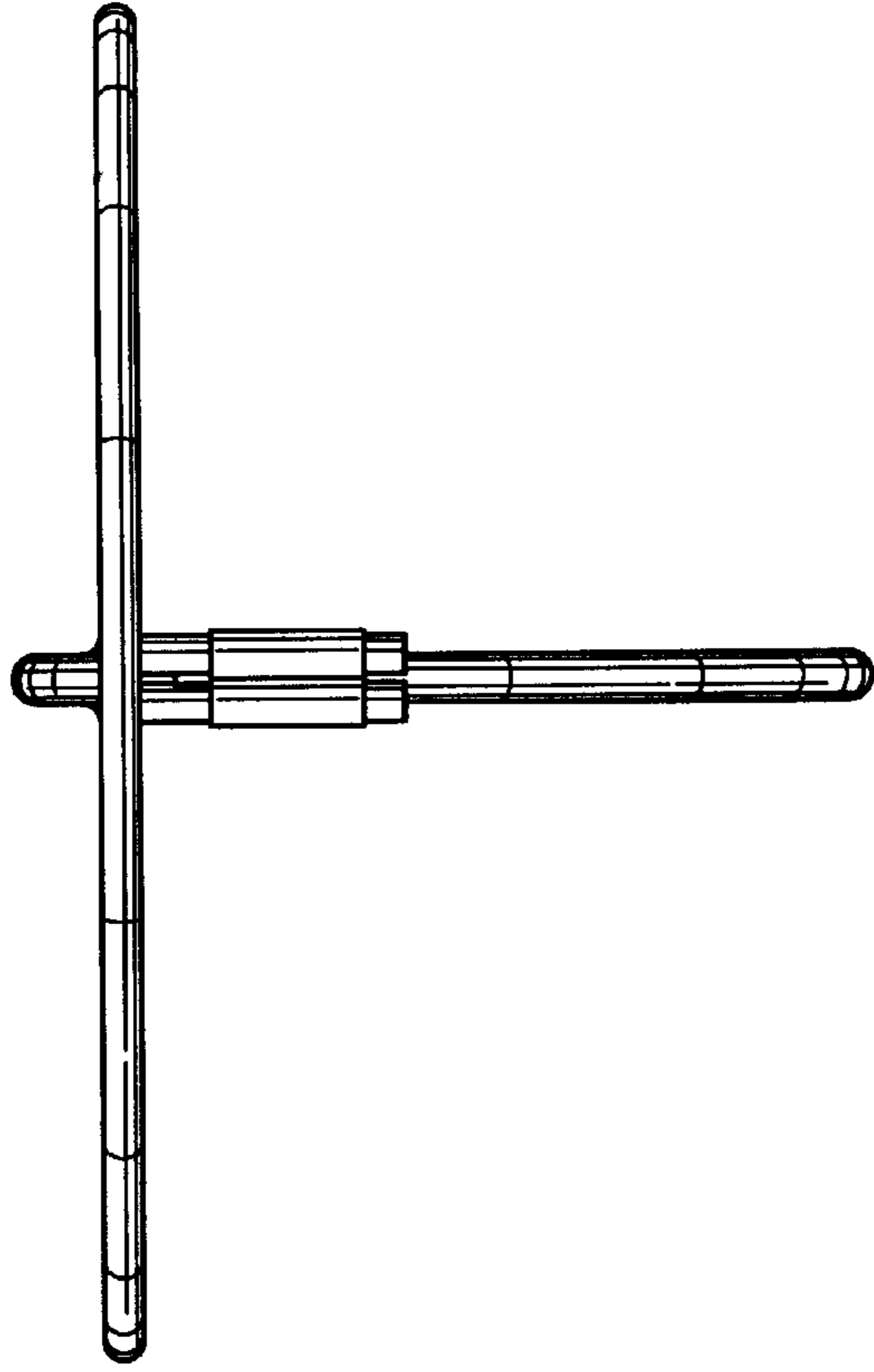


FIG. 8

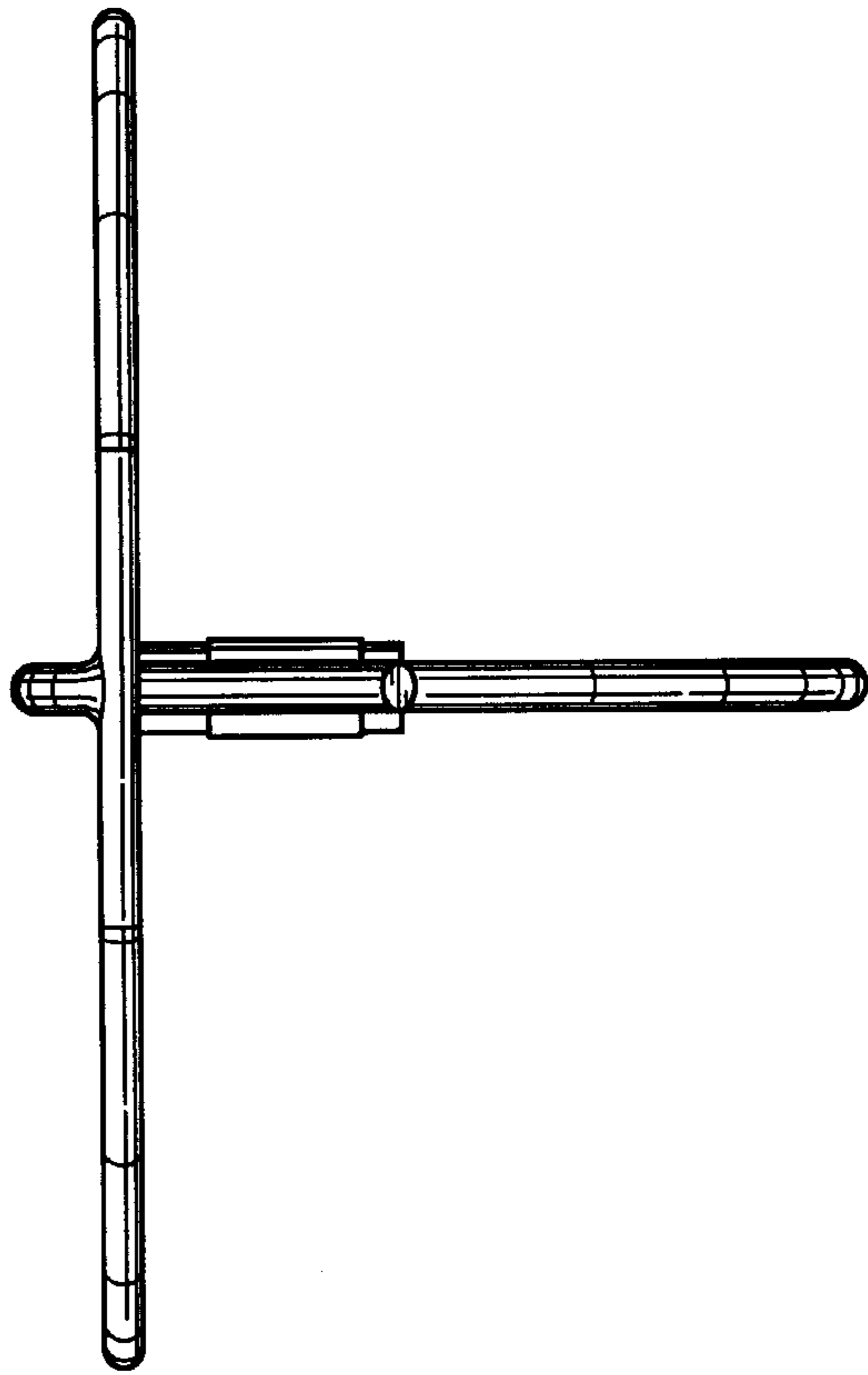


FIG. 7