



US00D474651S

(12) **United States Design Patent**
Ward

(10) **Patent No.:** **US D474,651 S**

(45) **Date of Patent:** **** May 20, 2003**

(54) **CONTAINER**

(75) Inventor: **Evan Ward**, Chicago, IL (US)

(73) Assignee: **Thermos L.L.C.**, Schaumburg, IL (US)

(**) Term: **14 Years**

(21) Appl. No.: **29/166,117**

(22) Filed: **Aug. 22, 2002**

(51) **LOC (7) Cl.** **09-02**

(52) **U.S. Cl.** **D7/615; D9/529; D9/551;**
D9/520; D9/558

(58) **Field of Search** D7/612-615, 619;
D9/503, 504, 509, 516, 520, 529, 530,
537, 539, 542, 549, 551, 552, 558, 564,
565, 571, 574; 215/382-384, 396, 398,
400, 12.1, 12.2, 13.1; 220/4.21, 669, 675

(56) **References Cited**

U.S. PATENT DOCUMENTS

D28,483 S	*	4/1898	Modes	D9/520
D285,657 S	*	9/1986	Poore	D9/504
D333,591 S	*	3/1993	Gradecki et al.	D7/514
D347,973 S	*	6/1994	McBride	D7/619
D360,576 S	*	7/1995	Bech	D9/301
D372,639 S	*	8/1996	Kristnik	D7/511
D375,655 S	*	11/1996	King	D7/511
D377,737 S	*	2/1997	Kristnik	D7/511
D412,373 S	*	7/1999	Krawec et al.	D27/190
6,079,591 A	*	6/2000	Timms	220/771
D453,892 S	*	2/2002	Lindsay et al.	D7/596
D455,052 S	*	4/2002	Gullickson et al.	D7/619

* cited by examiner

Primary Examiner—Ted Shooman

Assistant Examiner—Carol Rademaker

(74) *Attorney, Agent, or Firm*—Wood, Phillips, Katz, Clark & Mortimer

(57) **CLAIM**

The ornamental design of a container, as shown and described.

DESCRIPTION

FIG. 1 is a perspective view of my container design taken from the upper right;

FIG. 2 is a perspective view of my container design taken from lower left;

FIG. 3 is a top plan view of my container design;

FIG. 4 is a side elevation view of my container design, the opposite side being identical;

FIG. 5 is a side elevation view of my container design taken 90° from the side shown in FIG. 4, the opposite side being identical;

FIG. 6 is a perspective view of a modified embodiment of my container design taken from the upper right;

FIG. 7 is a perspective view of the modified embodiment of my container design taken from the lower left;

FIG. 8 is a side elevation view of the modified embodiment of my container design, the opposite side being identical; and,

FIG. 9 is a side elevation view of the modified embodiment of my container design taken 90° from the side shown in FIG. 8, the opposite side being identical.

The top plan view of the second embodiment of FIGS. 6-9 is identical to the top plan view shown in FIG. 3.

1 Claim, 4 Drawing Sheets

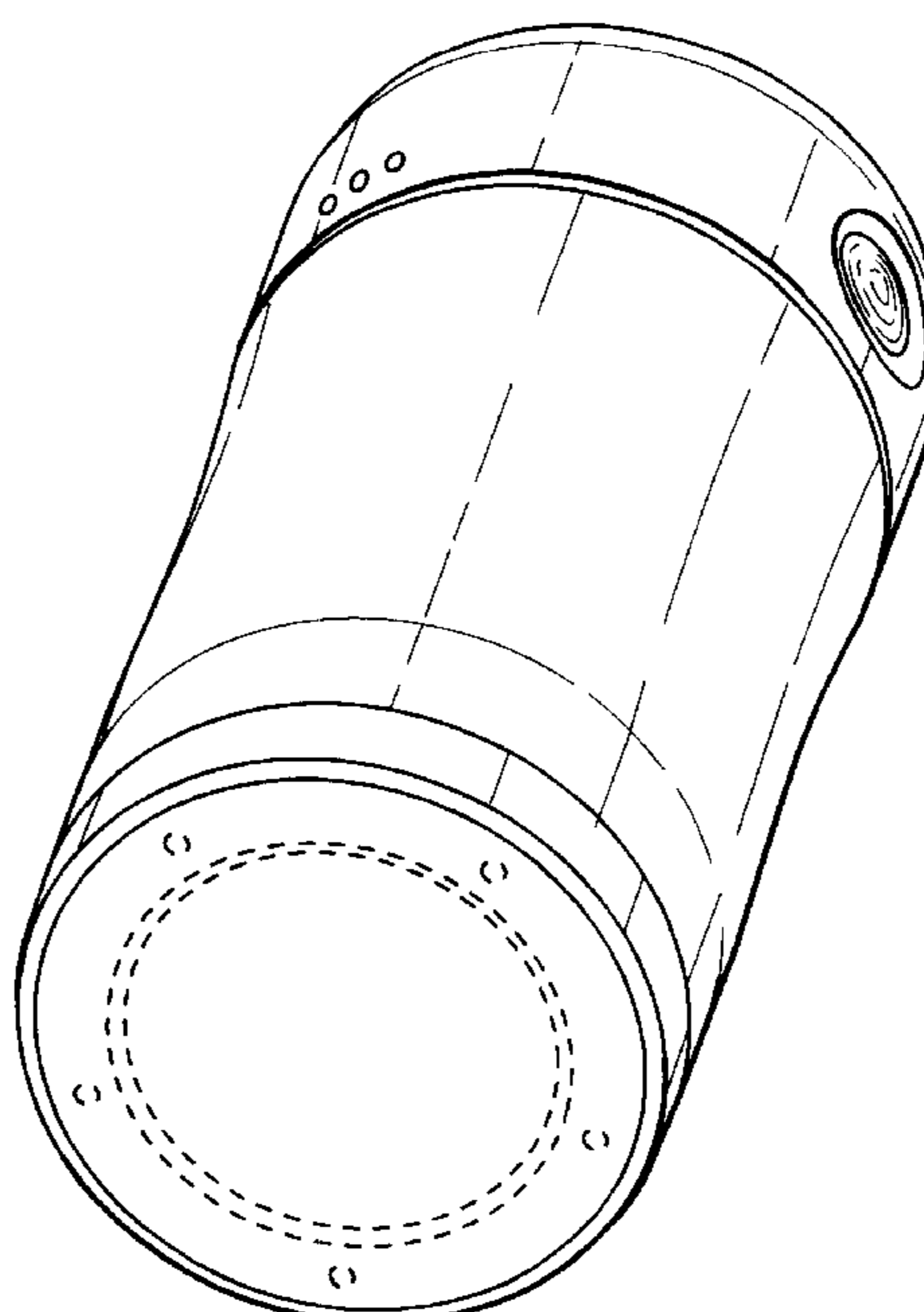
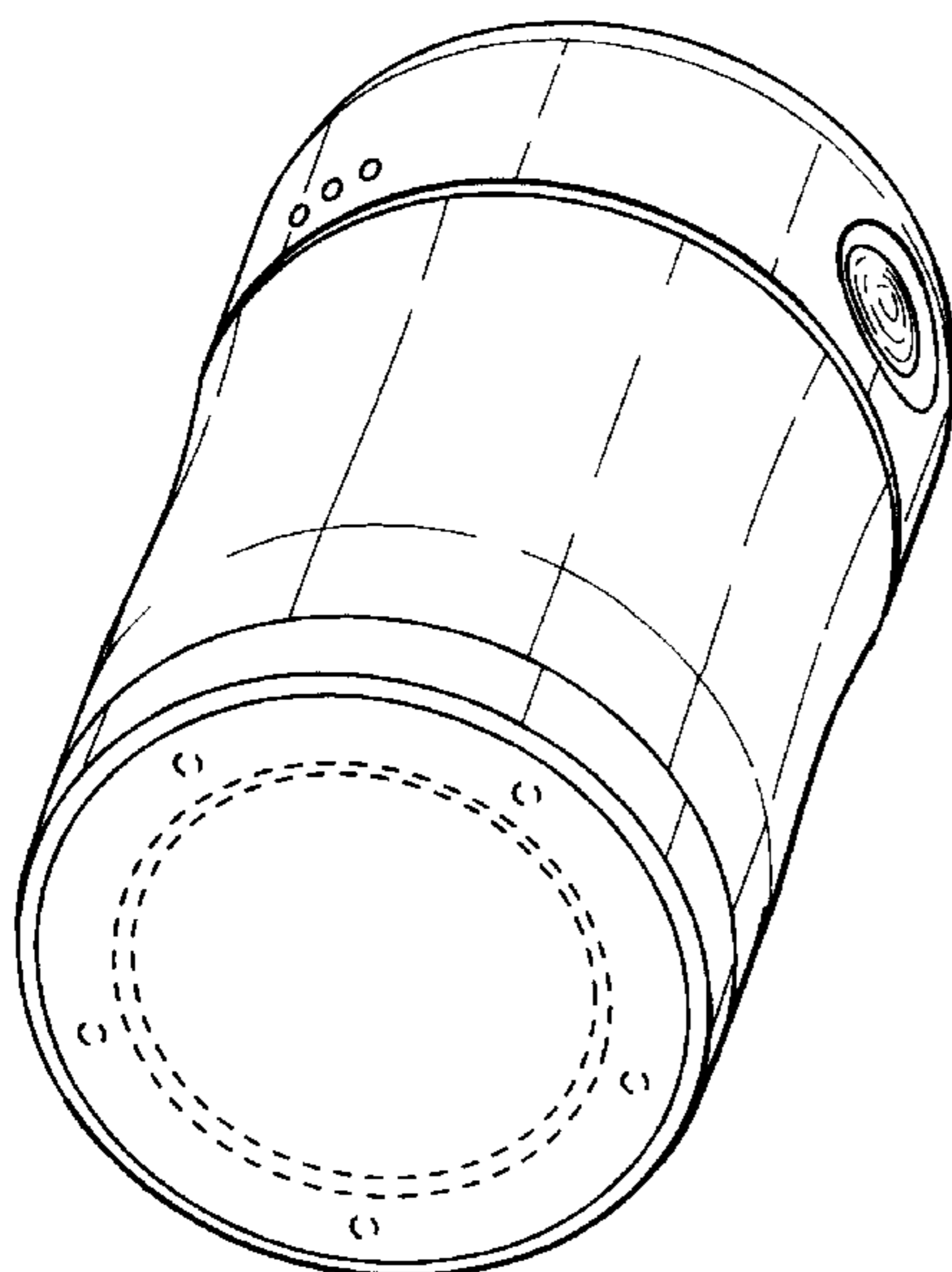


Fig. 1

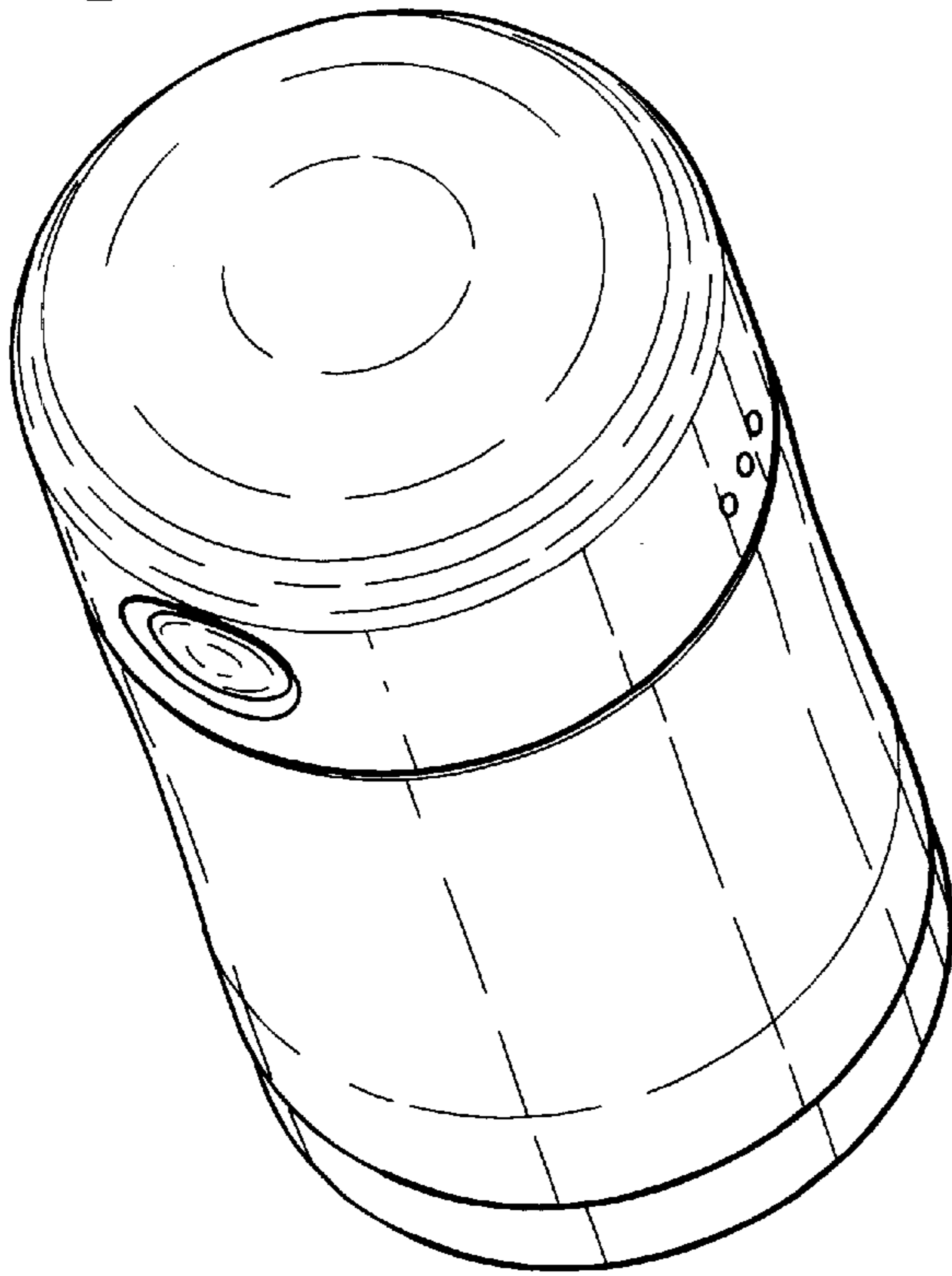


Fig. 2

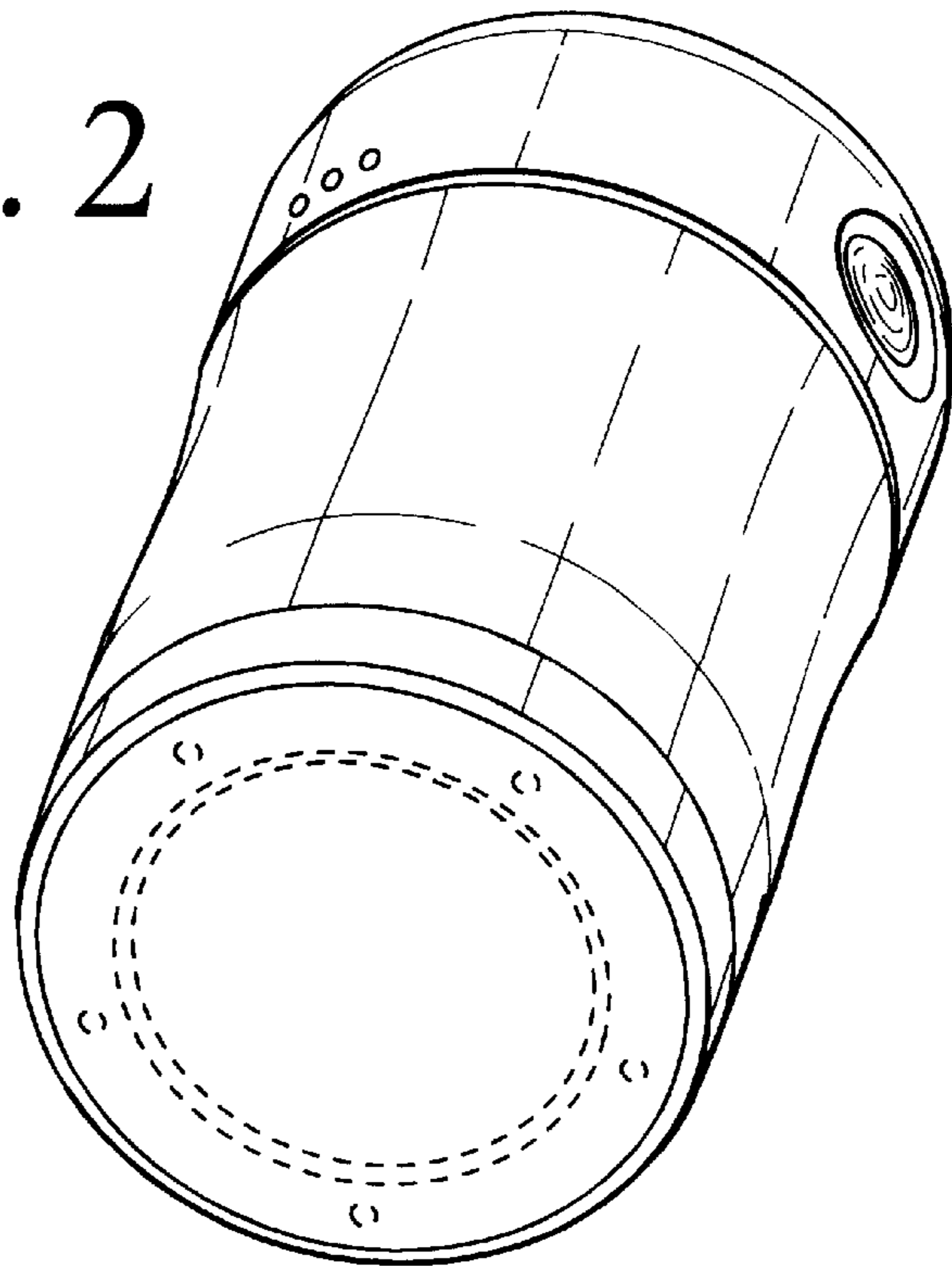


Fig. 3

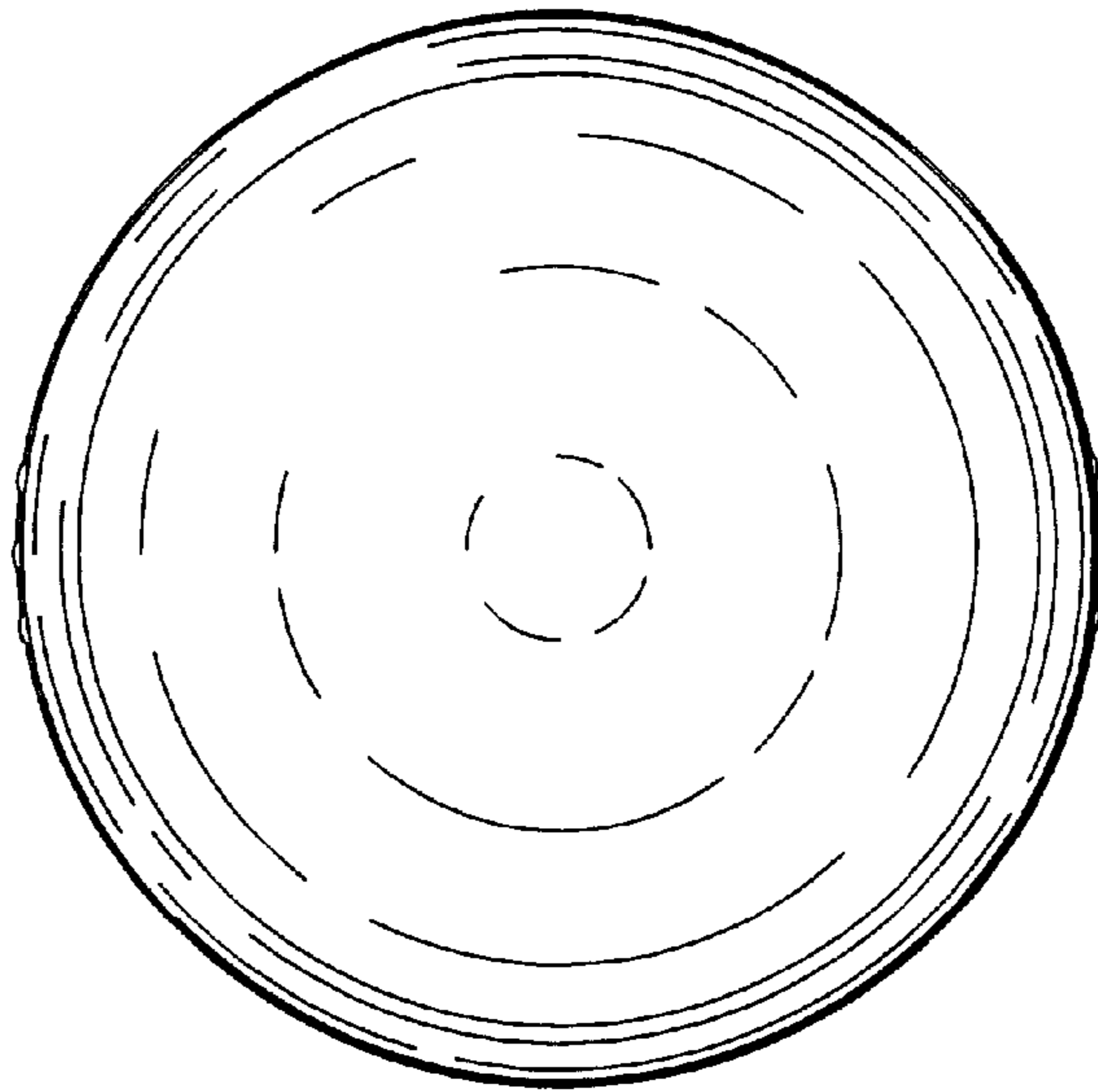


Fig. 4

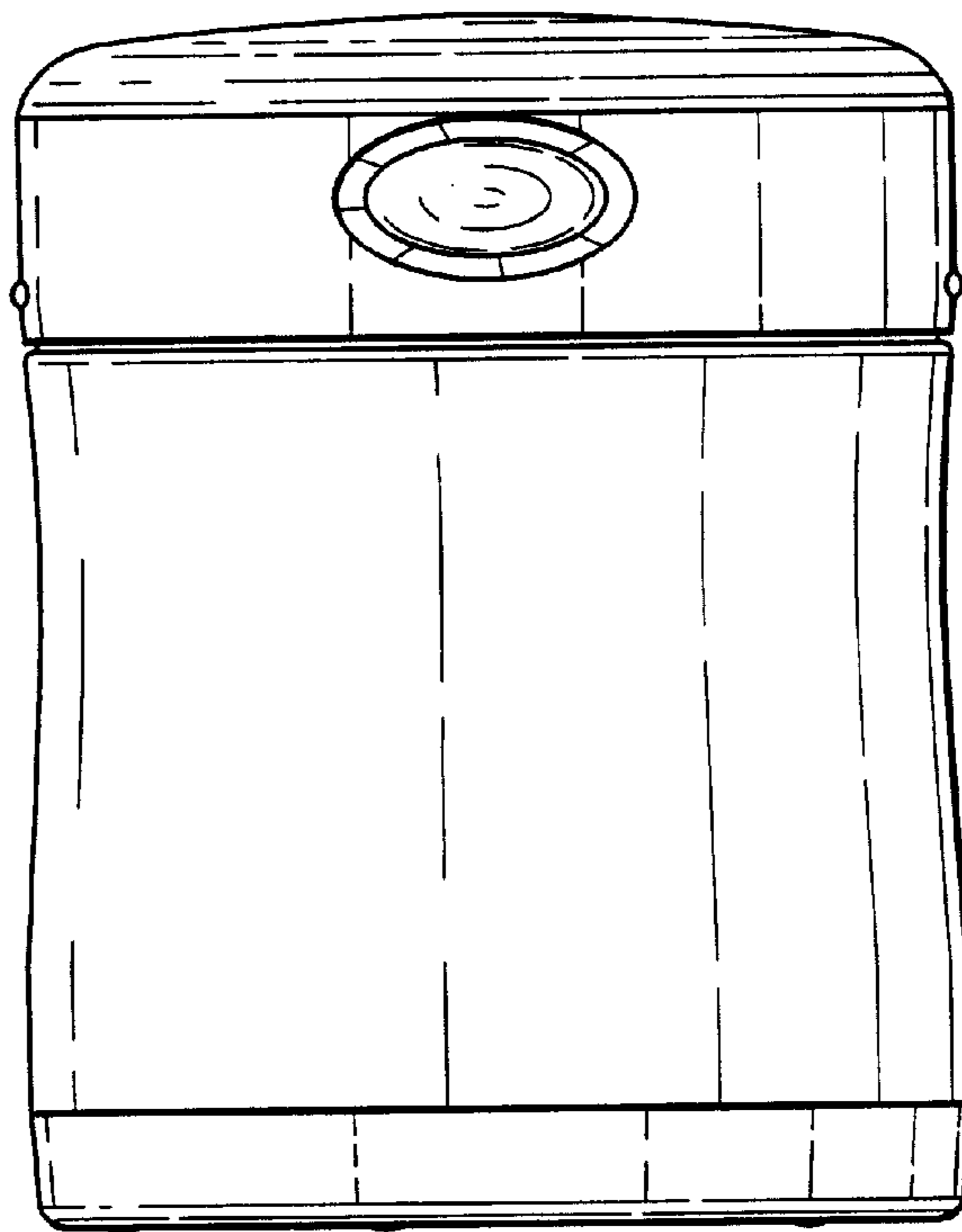


Fig. 5

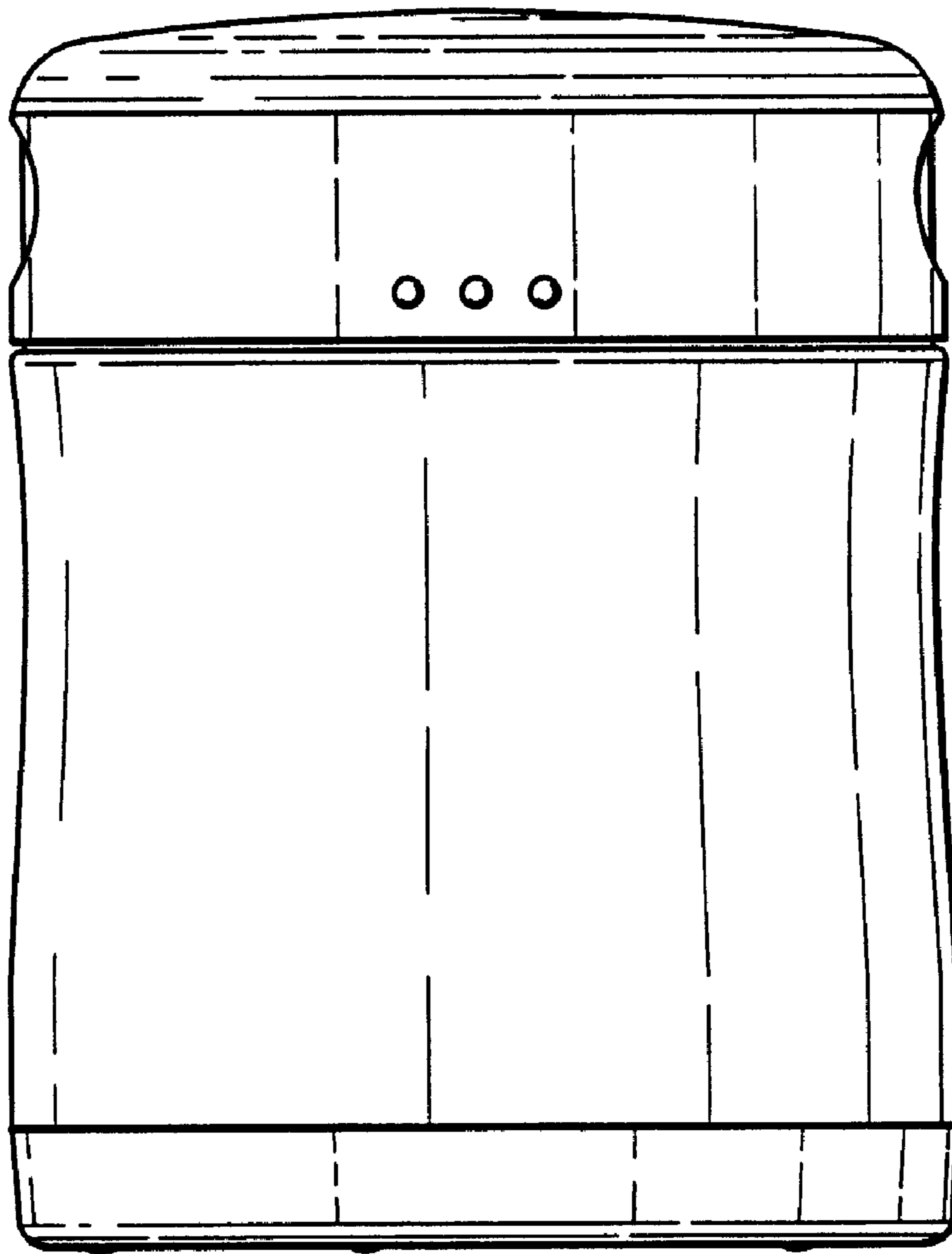


Fig. 6

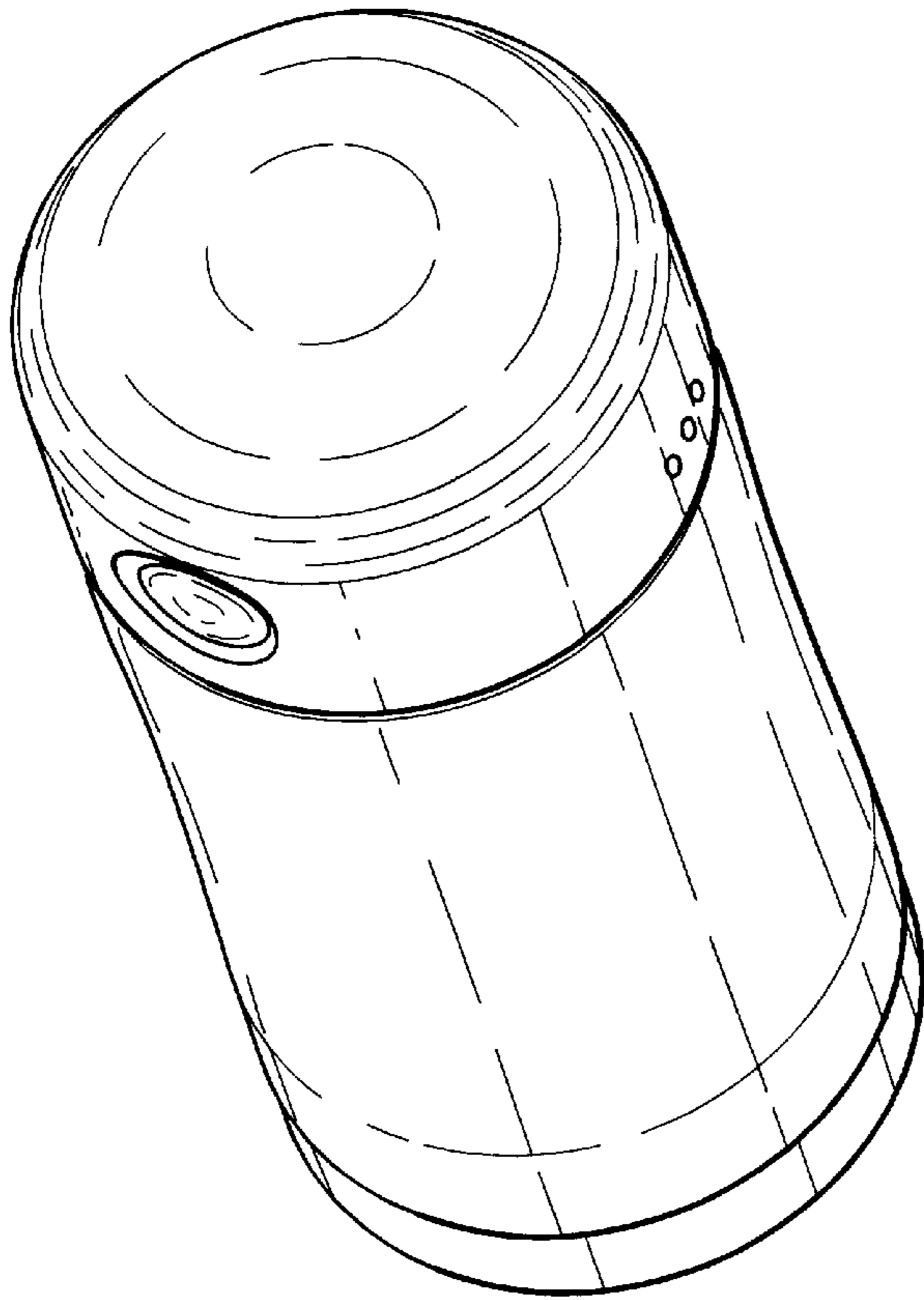


Fig. 7

