



US00D474649S

(12) **United States Design Patent**  
**Spence, Jr.**

(10) **Patent No.:** **US D474,649 S**

(45) **Date of Patent:** **\*\* May 20, 2003**

(54) **DUAL COMPARTMENT INSULATED BAG**

(75) **Inventor:** **Meredith Spence, Jr.**, San Antonio, TX (US)

(73) **Assignee:** **Norwood Promotional Products, Inc.**, Austin, TX (US)

(\*\*) **Term:** **14 Years**

(21) **Appl. No.:** **29/159,847**

(22) **Filed:** **Apr. 29, 2002**

(51) **LOC (7) Cl.** ..... **07-01**

(52) **U.S. Cl.** ..... **D7/607; D3/283**

(58) **Field of Search** ..... **D7/605-608; D3/273, D3/276, 283-287, 289; 62/457.1-457.7, 371, 372; 190/110; 220/592.2, 592.24, 592.25, 915.1, 915.2; 383/6, 20, 34, 43, 97, 110, 113**

(56) **References Cited**

**U.S. PATENT DOCUMENTS**

4,537,313	A	*	8/1985	Workman	.....	383/110	X
4,620,579	A	*	11/1986	Lowe et al.	.....	190/110	
4,805,776	A	*	2/1989	Namgyal et al.	.....	383/110	X
D340,840	S	*	11/1993	Melk	.....	D7/607	
D371,052	S	*	6/1996	Melk	.....	D7/607	

\* cited by examiner

*Primary Examiner*—Terry A. Wallace

(74) *Attorney, Agent, or Firm*—Jenkins & Gilchrist A Professional Corporation

(57) **CLAIM**

The ornamental design for a dual compartment insulated bag, as shown.

**DESCRIPTION**

FIG. 1 is a top plan view of the design of the present invention;

FIG. 2 is a front elevational view of the design of the present invention;

FIG. 3 is a left side elevational view of the design of the present invention;

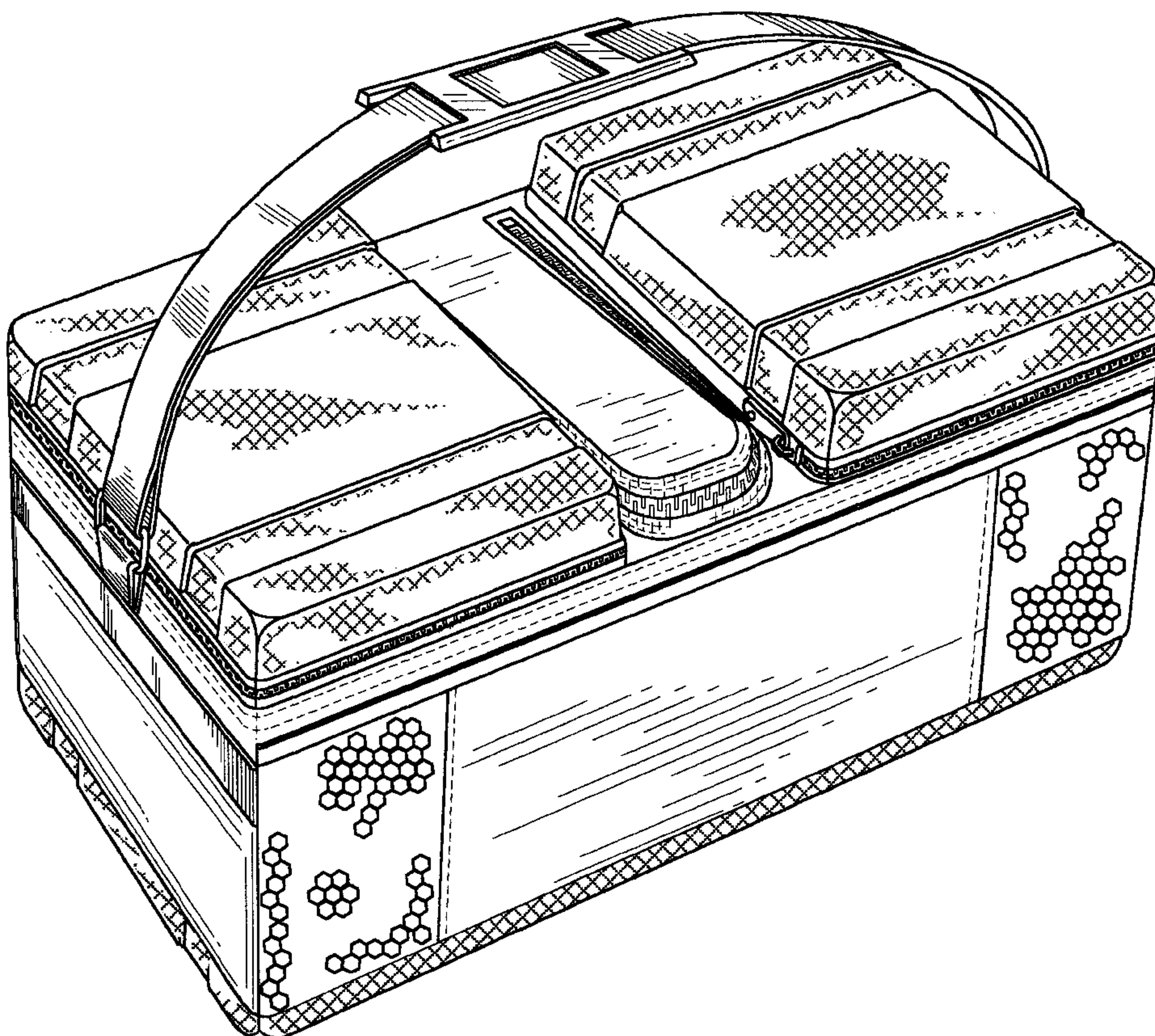
FIG. 4 is a right side elevational view of the design of the present invention;

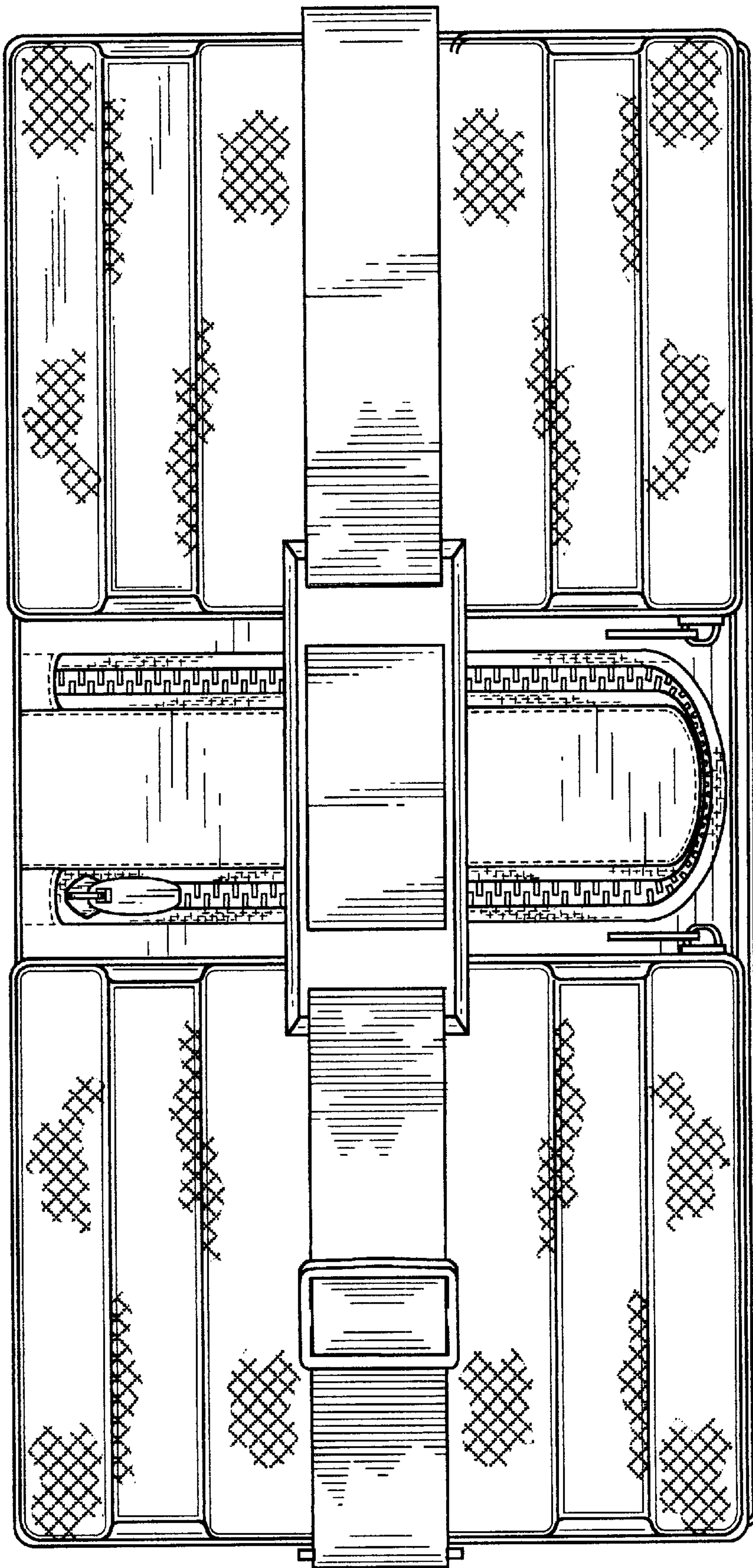
FIG. 5 is a rear elevational view of the design of the present invention;

FIG. 6 is a bottom plan view of the design of the present invention; and,

FIG. 7 is a perspective view of the design of the present invention.

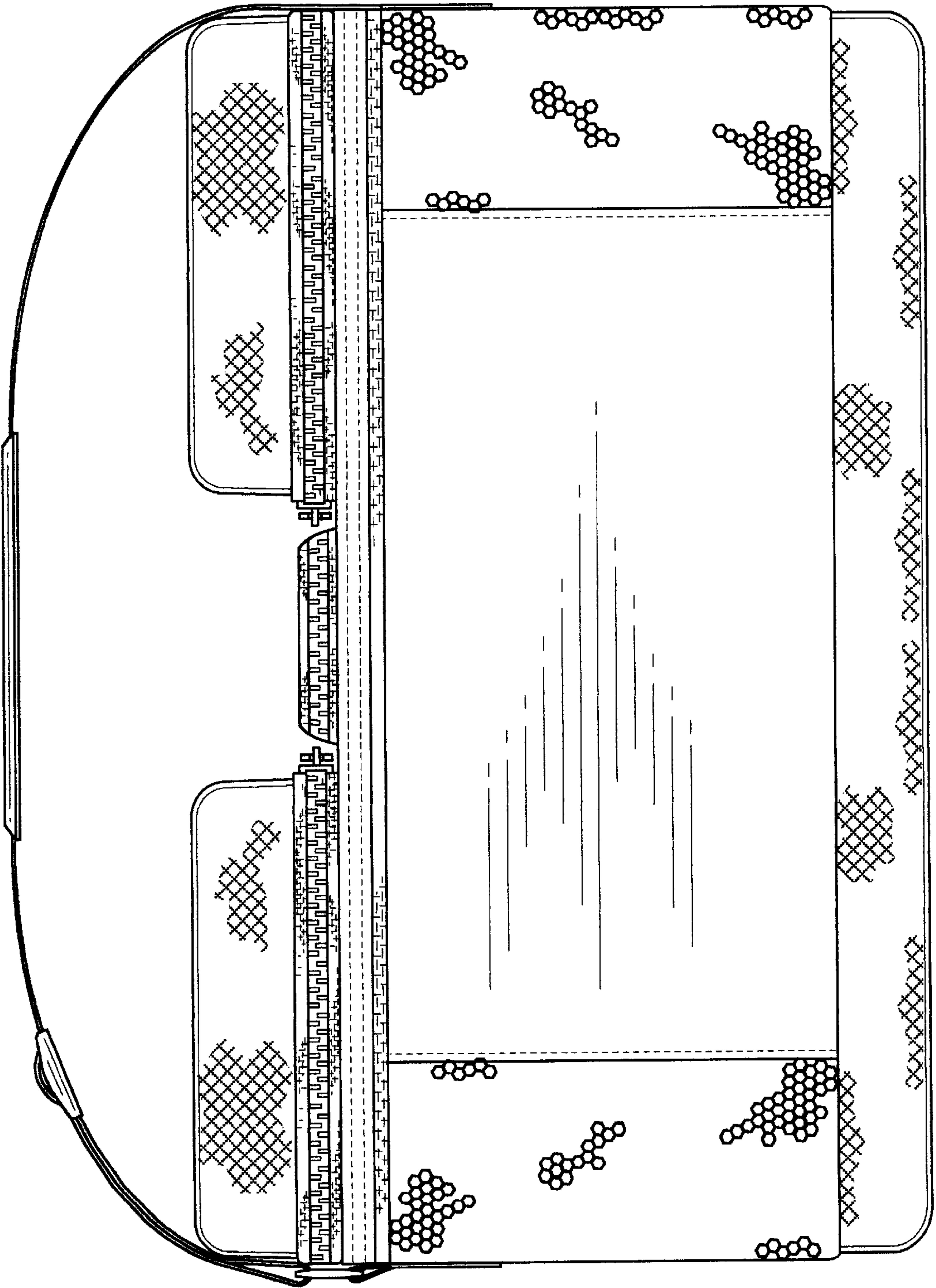
**1 Claim, 6 Drawing Sheets**



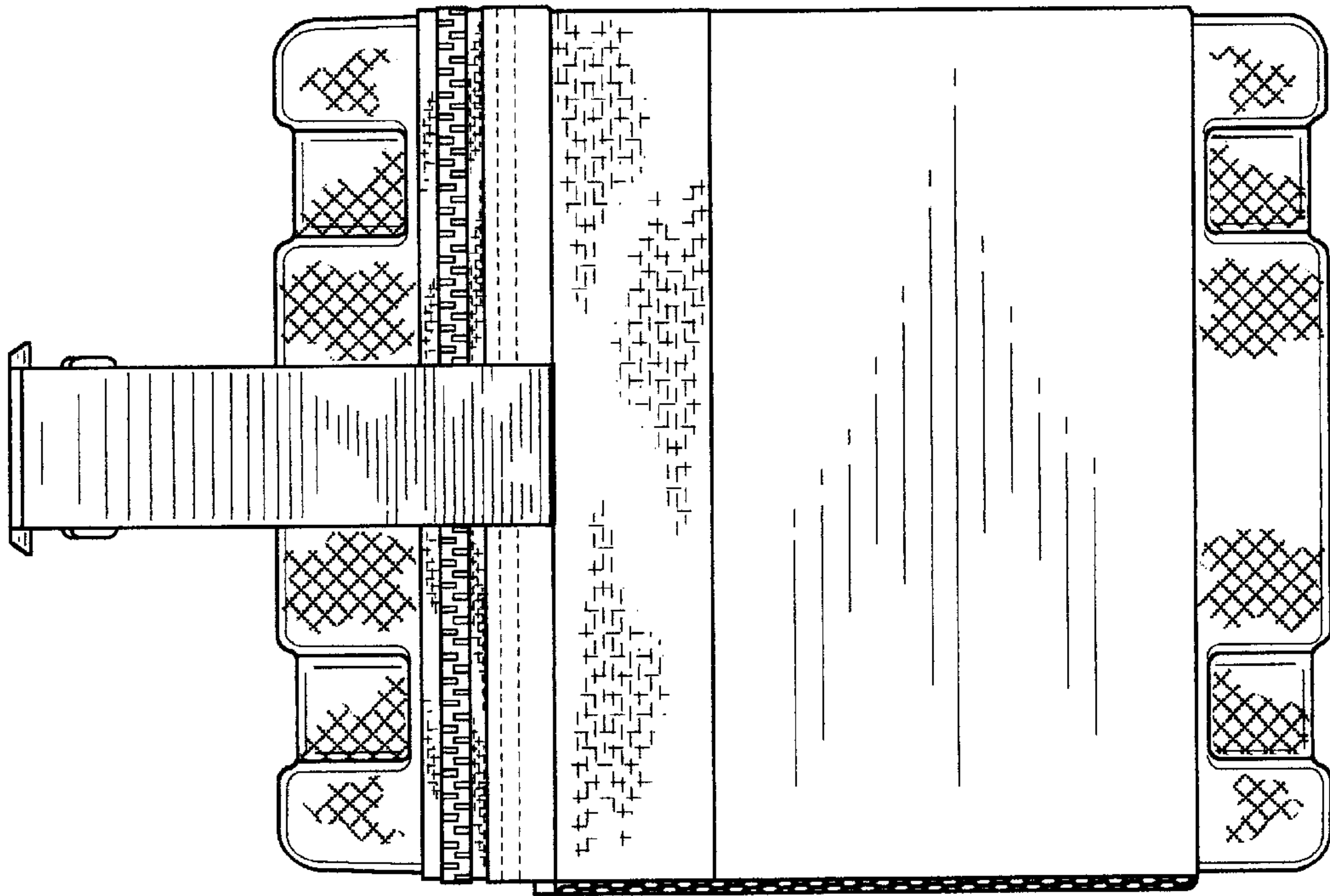


*Fig. 1*

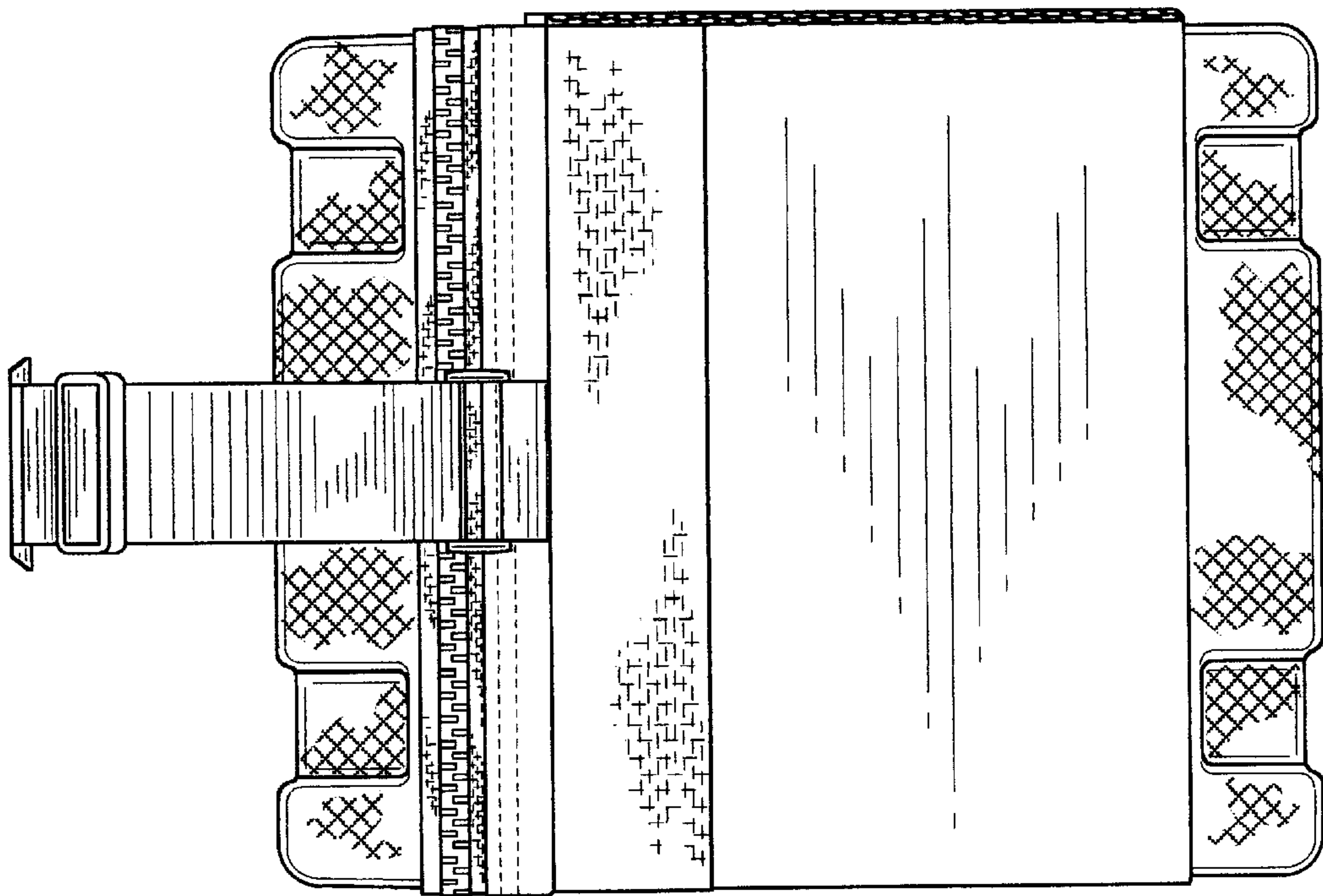




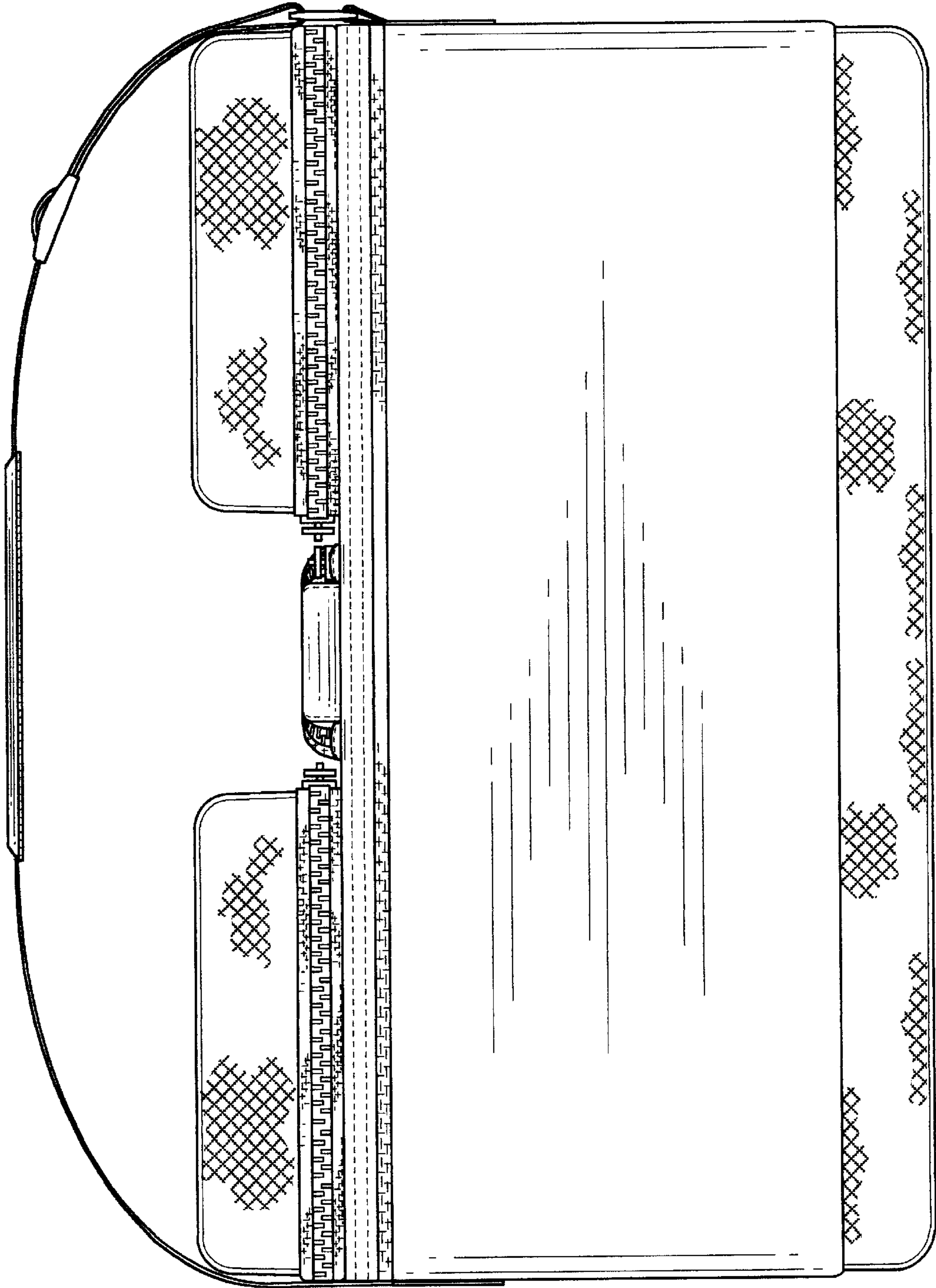
*Fig. 2*



*Fig. 4*

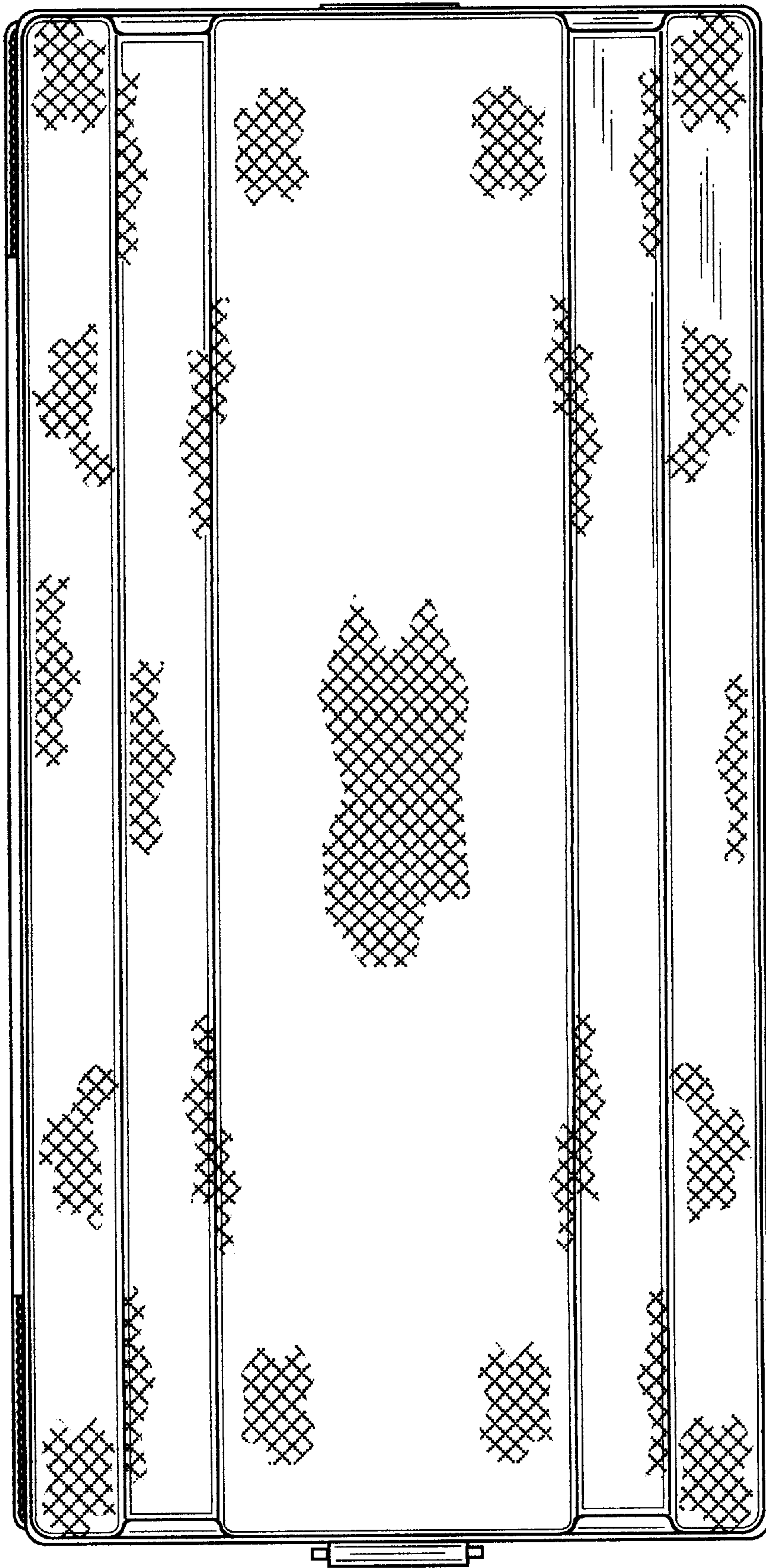


*Fig. 3*

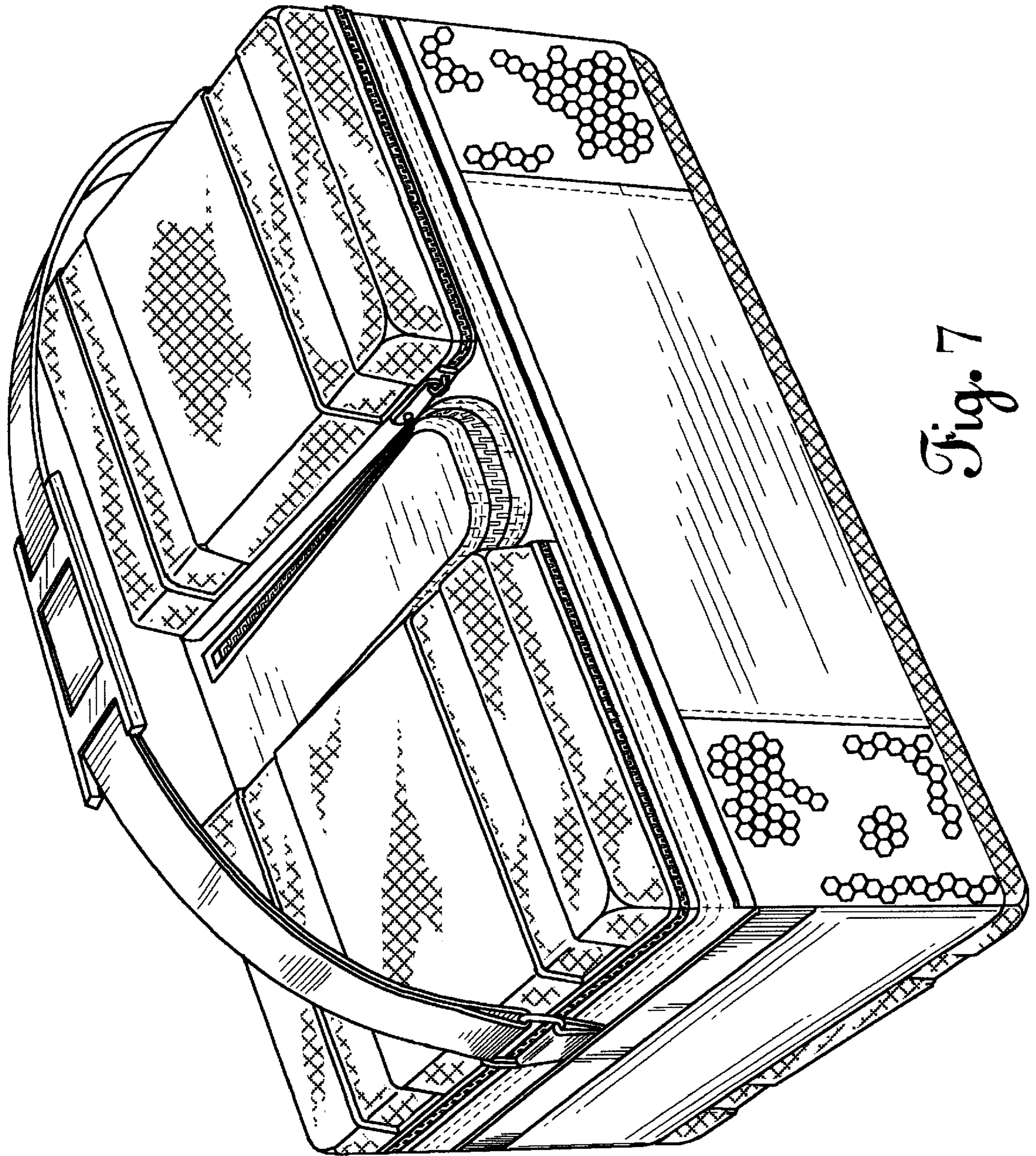


*Fig. 5*





*Fig. 6*



*Fig. 7*