



US00D474648S

(12) **United States Design Patent**
Dimeo

(10) **Patent No.:** **US D474,648 S**

(45) **Date of Patent:** **** May 20, 2003**

(54) **CHAMPAGNE GLASS**

(75) **Inventor:** **M. Philippe Dimeo, Paris (FR)**

(73) **Assignee:** **Moet and Chandon S.A., Epernay (FR)**

(**) **Term:** **14 Years**

(21) **Appl. No.:** **29/157,308**

(22) **Filed:** **Mar. 22, 2002**

(30) **Foreign Application Priority Data**

Dec. 14, 2001 (XH) DM/058 323

(51) **LOC (7) Cl.** **07-01**

(52) **U.S. Cl.** **D7/528; D7/524; D7/523; D7/532**

(58) **Field of Search** **D7/524, 522, 528, D7/523, 509, 532; 215/12.1, DIG. 7, 377, 388, 387; 220/592.1, 716; 73/426; 206/520; 229/400; D26/22**

(56) **References Cited**

U.S. PATENT DOCUMENTS

924,969 A	*	6/1909	De Wolf	D7/523
D95,903 S	*	6/1935	Fenton	D7/523
D98,420 S	*	2/1936	Deskey	D7/523
2,192,415 A	*	3/1940	Schwarzenzer	229/400
D138,635 S	*	8/1944	Erbe	D7/524
D149,799 S	*	6/1948	Dingeldein	D7/524

D170,289 S	*	8/1953	Skipp	D7/507
D189,302 S	*	11/1960	Skupien	D7/523
D192,581 S	*	4/1962	Hart	D34/1
3,325,048 A	*	6/1967	Edwards	206/520
D215,226 S	*	9/1969	Benes	D7/524
D226,443 S	*	3/1973	Achenbach	D7/523
D234,108 S	*	1/1975	Achenbach	D7/528
D234,111 S	*	1/1975	Achenbach	D7/524
D242,062 S	*	10/1976	Vickers	D26/22
D254,237 S	*	2/1980	Angelakos	D7/528
D259,984 S	*	7/1981	Wirkkala	D7/524
D265,536 S	*	7/1982	Turcotte, Jr.	D7/523
D282,152 S	*	1/1986	Mendenhall	D11/154
D436,295 S	*	1/2001	Furman et al.	D7/523
D454,757 S	*	3/2002	Lack	D7/523
D456,214 S	*	4/2002	Wyche	D7/523

* cited by examiner

Primary Examiner—M. N. Pandozzi

(74) *Attorney, Agent, or Firm*—Charles E. Temko; Graham, Campaign P.C.

(57) **CLAIM**

The ornamental design for a champagne glass, as shown.

DESCRIPTION

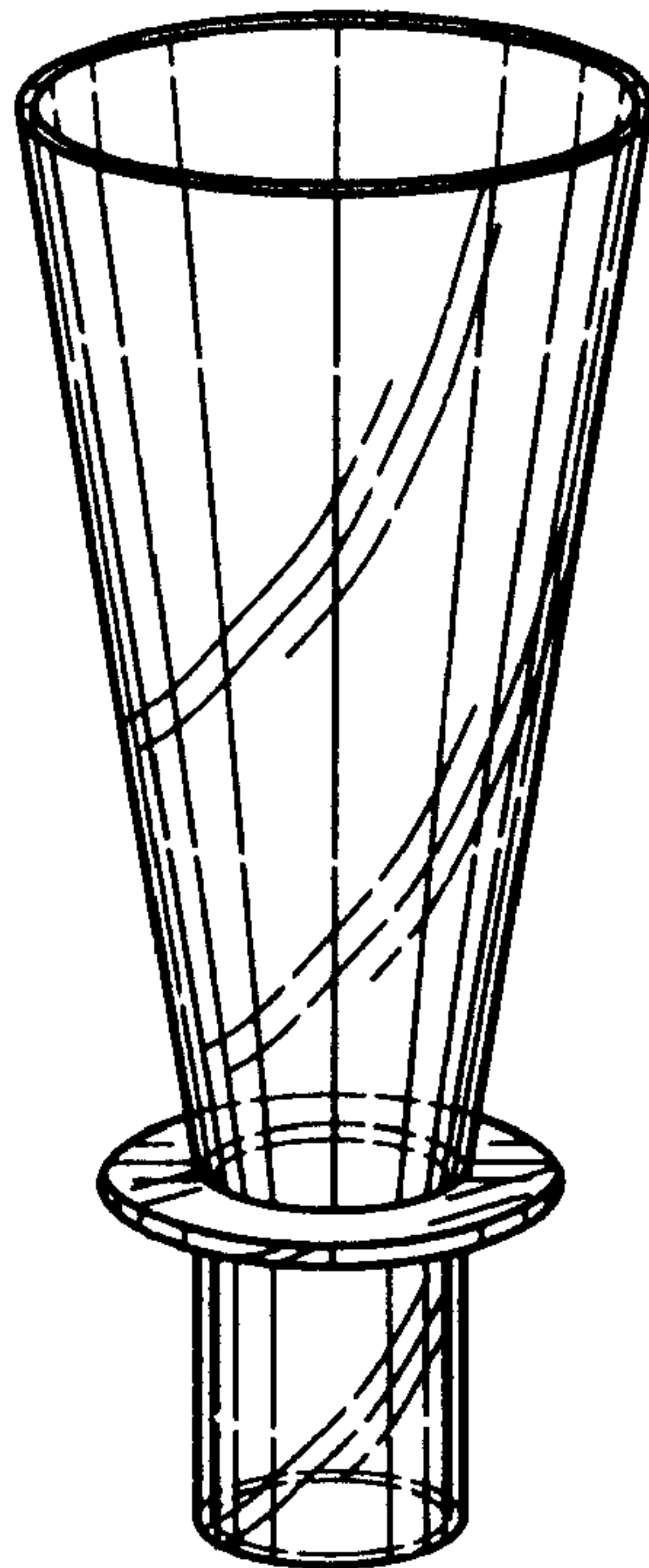
FIG. 1 is a perspective view of a champagne glass showing my new design.

FIG. 2 is a side elevational view thereof.

FIG. 3 is a top plan view thereof; and,

FIG. 4 is a bottom plan view thereof.

1 Claim, 2 Drawing Sheets



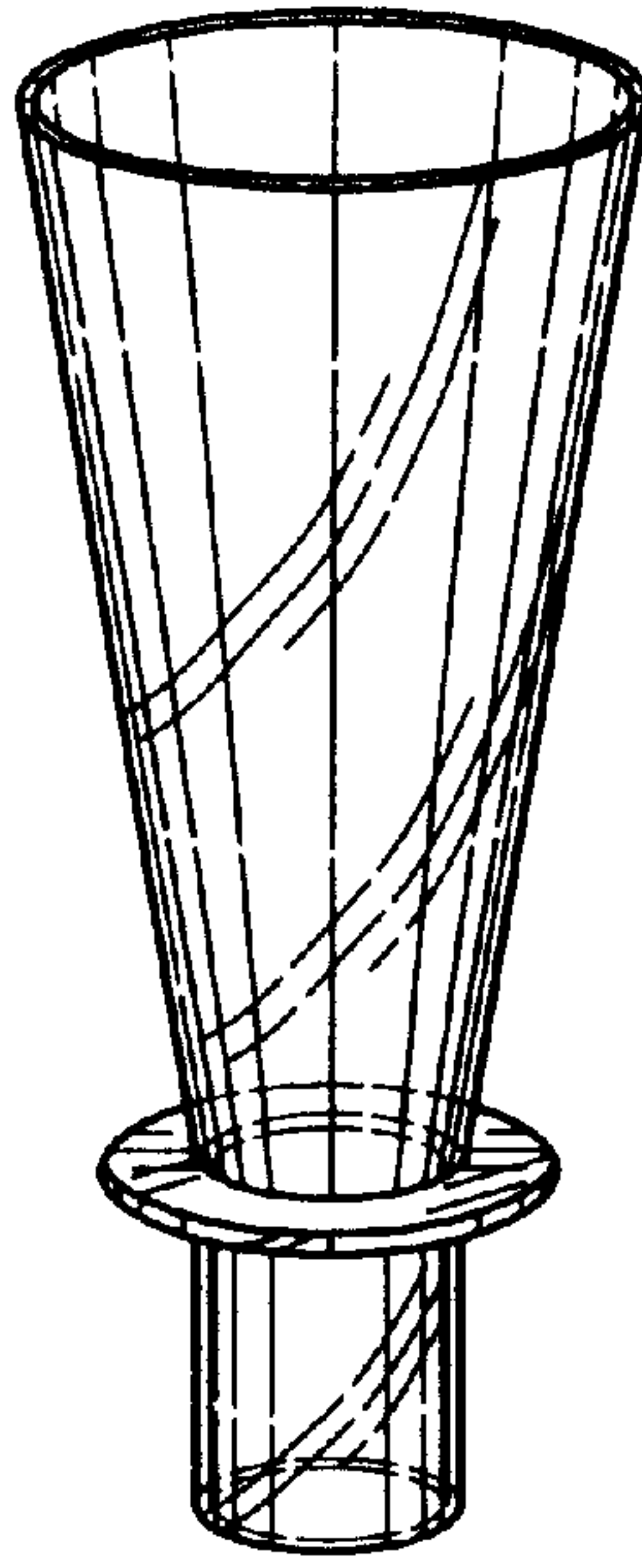


FIG. 1

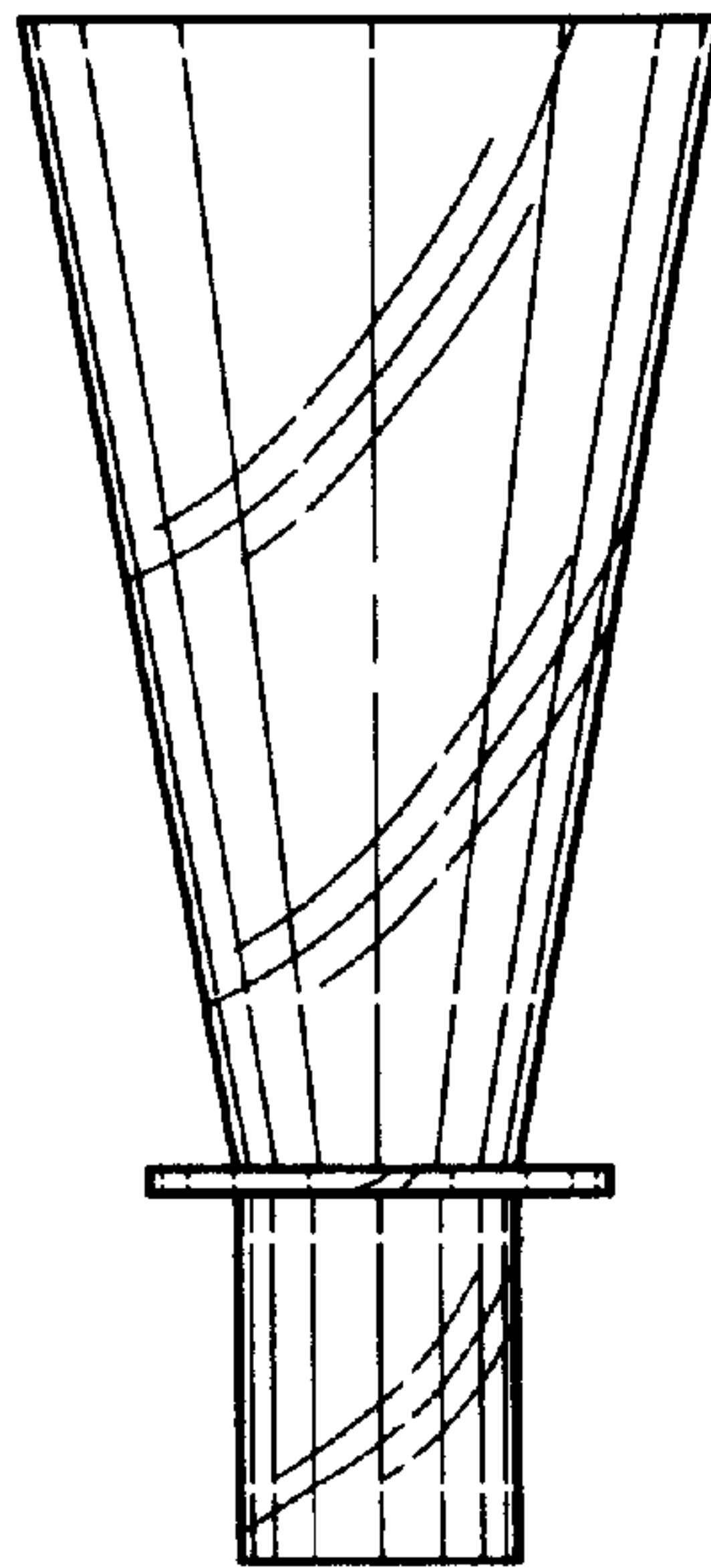


FIG. 2

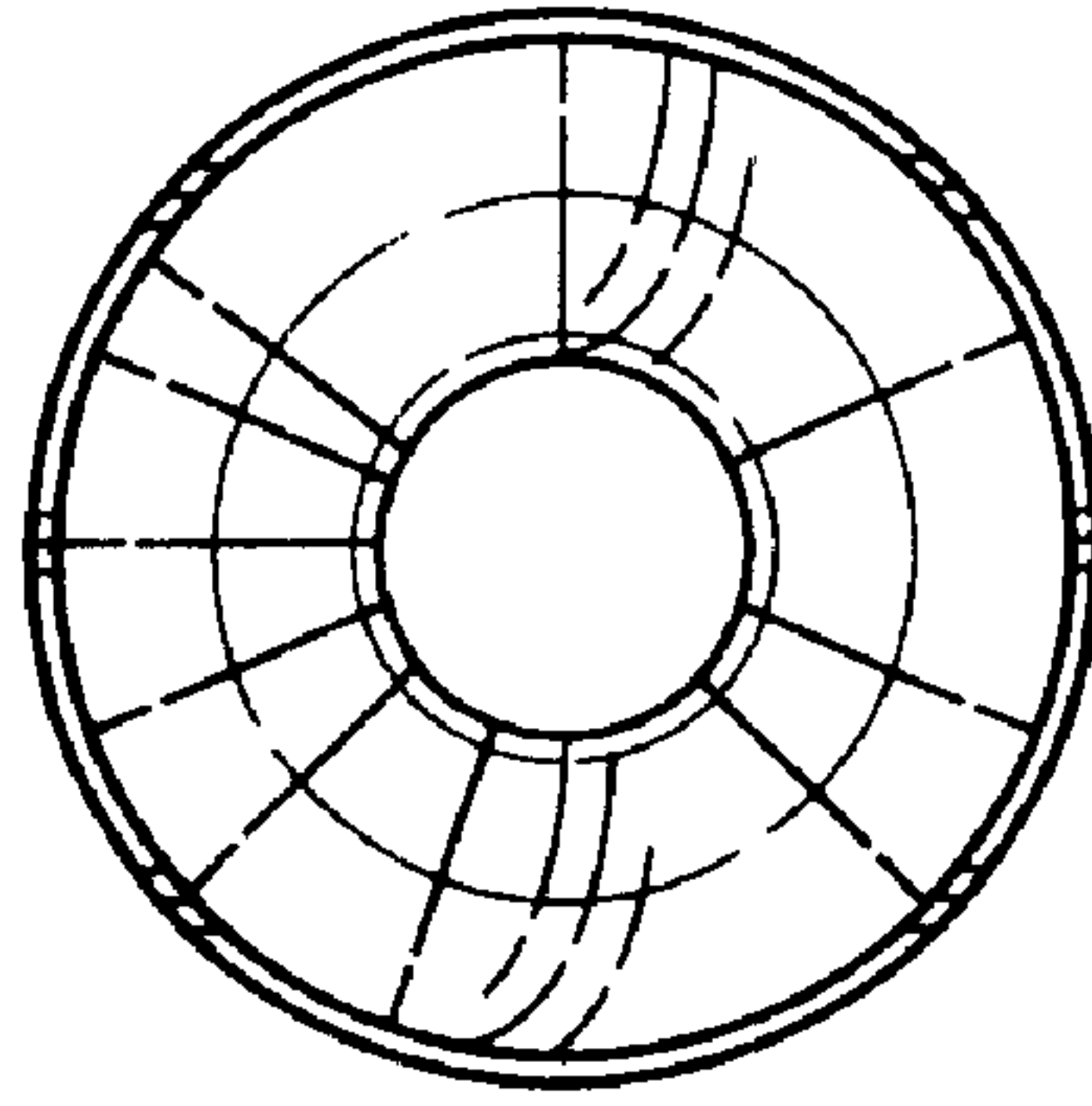


FIG. 3

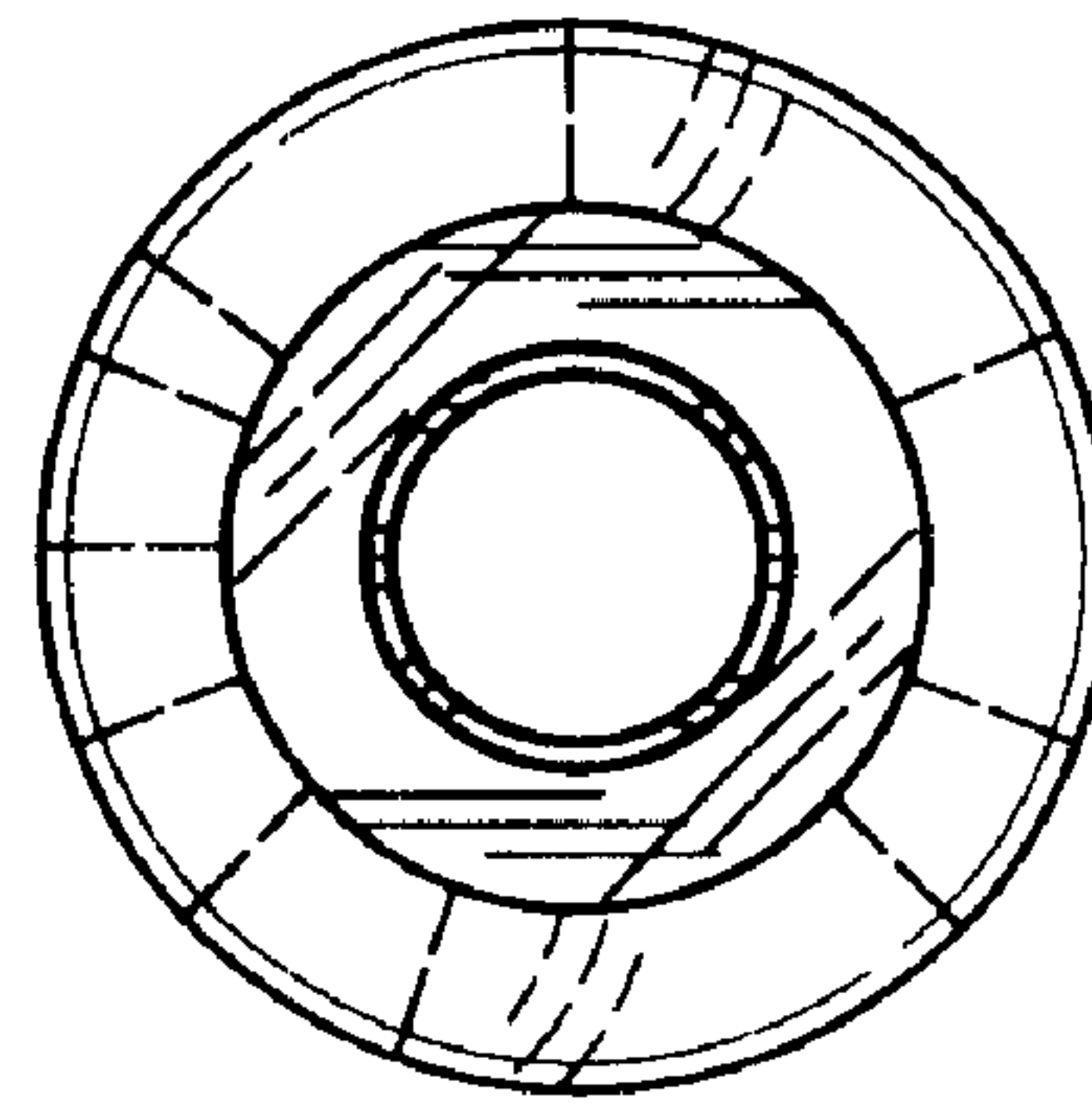


FIG. 4