



US00D474647S

(12) **United States Design Patent**
Reinius et al.

(10) **Patent No.:** **US D474,647 S**

(45) **Date of Patent:** **** May 20, 2003**

(54) **MUG**

(75) **Inventors:** **Pelle Reinius, Enskedegård (SE);
Håkan Bergkvist, Bromma (SE)**

(73) **Assignee:** **Baby Björn AB, Danderyd (SE)**

(**) **Term:** **14 Years**

(21) **Appl. No.:** **29/165,337**

(22) **Filed:** **Aug. 9, 2002**

(30) **Foreign Application Priority Data**

Feb. 12, 2002 (SE) 02-0274
Feb. 12, 2002 (SE) 02-0275

(51) **LOC (7) Cl.** **07-01**

(52) **U.S. Cl.** **D7/510; D7/510; D7/511;
D7/534**

(58) **Field of Search** **D7/510, 511, 533,
D7/534, 507, 503; 220/710.5, 703, 603,
592.16, 592.17; 215/DIG. 7, 387, 398,
396; D24/197; D3/202**

(56) **References Cited**

U.S. PATENT DOCUMENTS

2,114,260 A * 4/1938 Von Nessen 215/396
D216,730 S * 3/1970 Carslaw D7/510
D233,972 S * 12/1974 Juhlin D7/511
4,096,966 A * 6/1978 Korshak 220/603
D279,752 S * 7/1985 Jagger D7/510
D306,387 S * 3/1990 Junkman D7/534
D316,652 S * 5/1991 Hunter D7/510
D322,196 S * 12/1991 Ohnuki D7/510

D326,796 S * 6/1992 Kawano D7/510
D341,206 S * 11/1993 Tsuji D24/197
D341,892 S * 11/1993 Yagi D24/197
5,294,018 A * 3/1994 Boucher 220/603
D364,314 S * 11/1995 Humphrey et al. D7/510
D366,987 S * 2/1996 Allegre D7/510
D385,748 S * 11/1997 Iodice et al. D7/510
D407,605 S * 4/1999 Berger D7/516
D421,878 S * 3/2000 Roehrig D7/510
D422,435 S * 4/2000 Lee D7/510
D427,855 S * 7/2000 Baker D7/516
D460,322 S * 7/2002 Orr et al. D7/510

* cited by examiner

Primary Examiner—M. N. Pandozzi

(74) *Attorney, Agent, or Firm*—Jacobson Holman PLLC

(57) **CLAIM**

The ornamental design for a mug, as shown.

DESCRIPTION

FIG. 1 is a perspective view of the mug on illustrating our design.

FIG. 2 is a left side view of the mug on.

FIG. 3 is a right side view of the mug on.

FIG. 4 is a front view of the mug on.

FIG. 5 is a rear view of the mug on.

FIG. 6 is a top plan view of the mug on.

FIG. 7 is a bottom plan view of the mug.

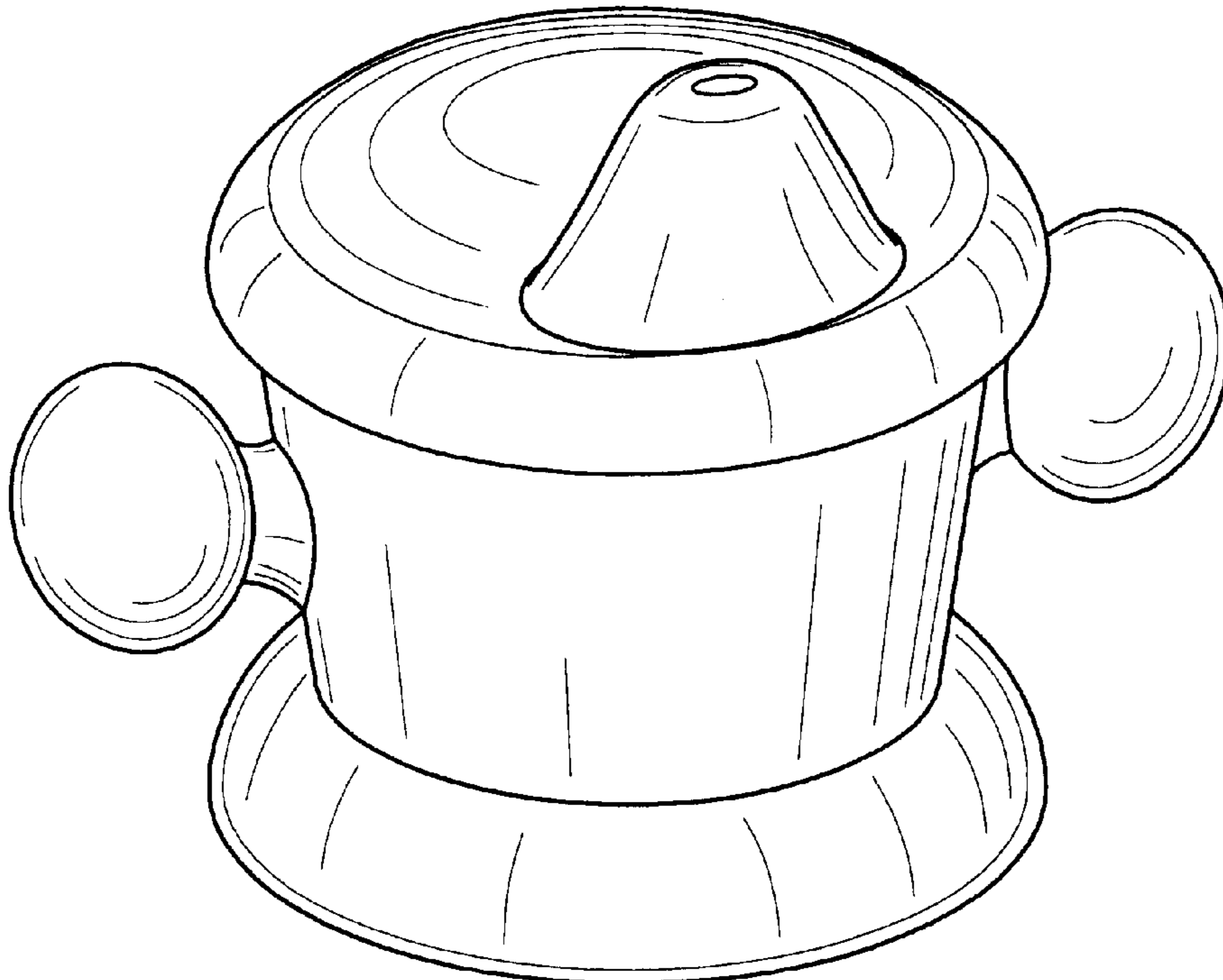
FIG. 8 is a perspective view of the mug removed.

FIG. 9 is a front view of the mug removed.

FIG. 10 is a left side view of the mug removed; and,

FIG. 11 is a top plan view of the mug removed.

1 Claim, 5 Drawing Sheets



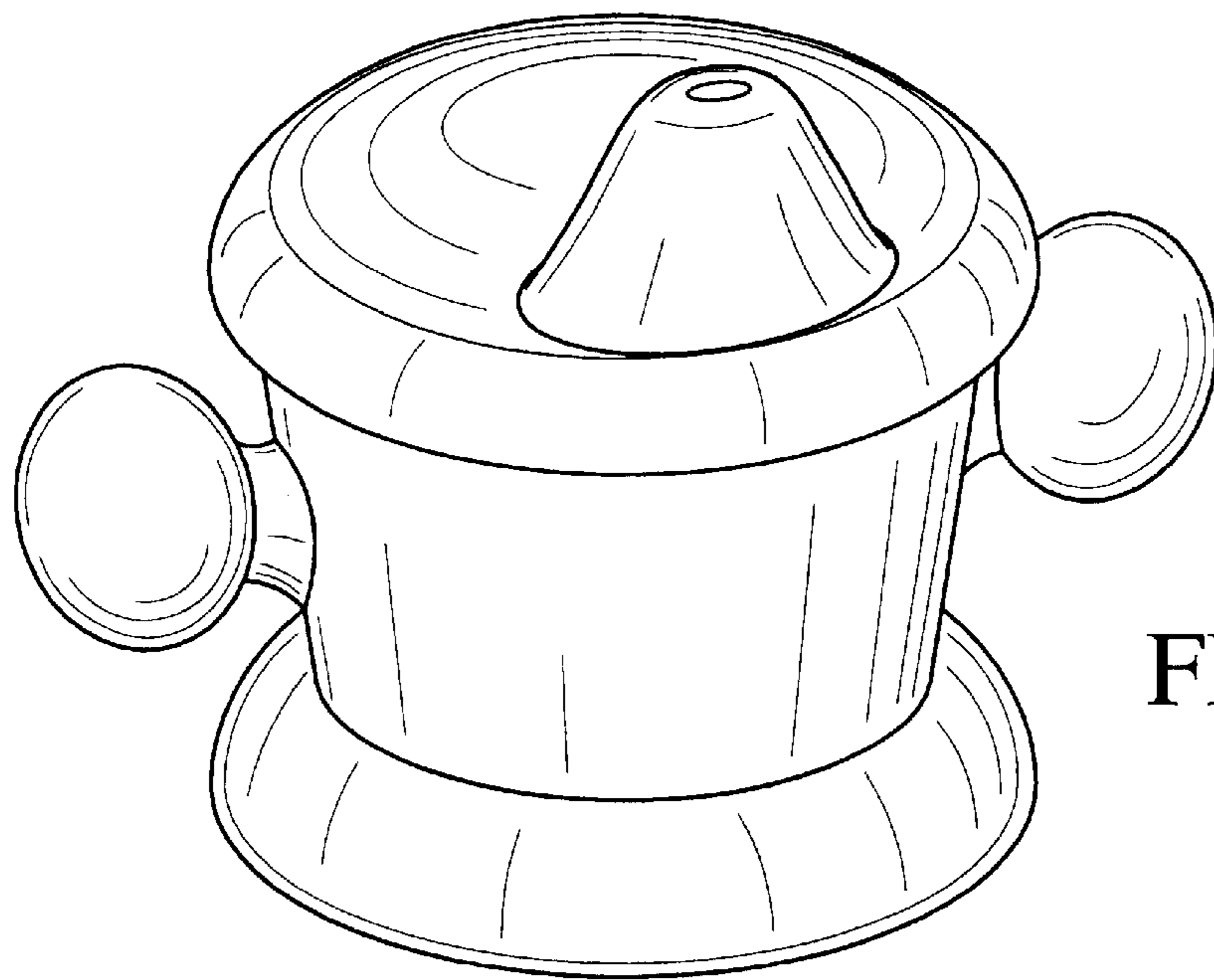


FIG. 1

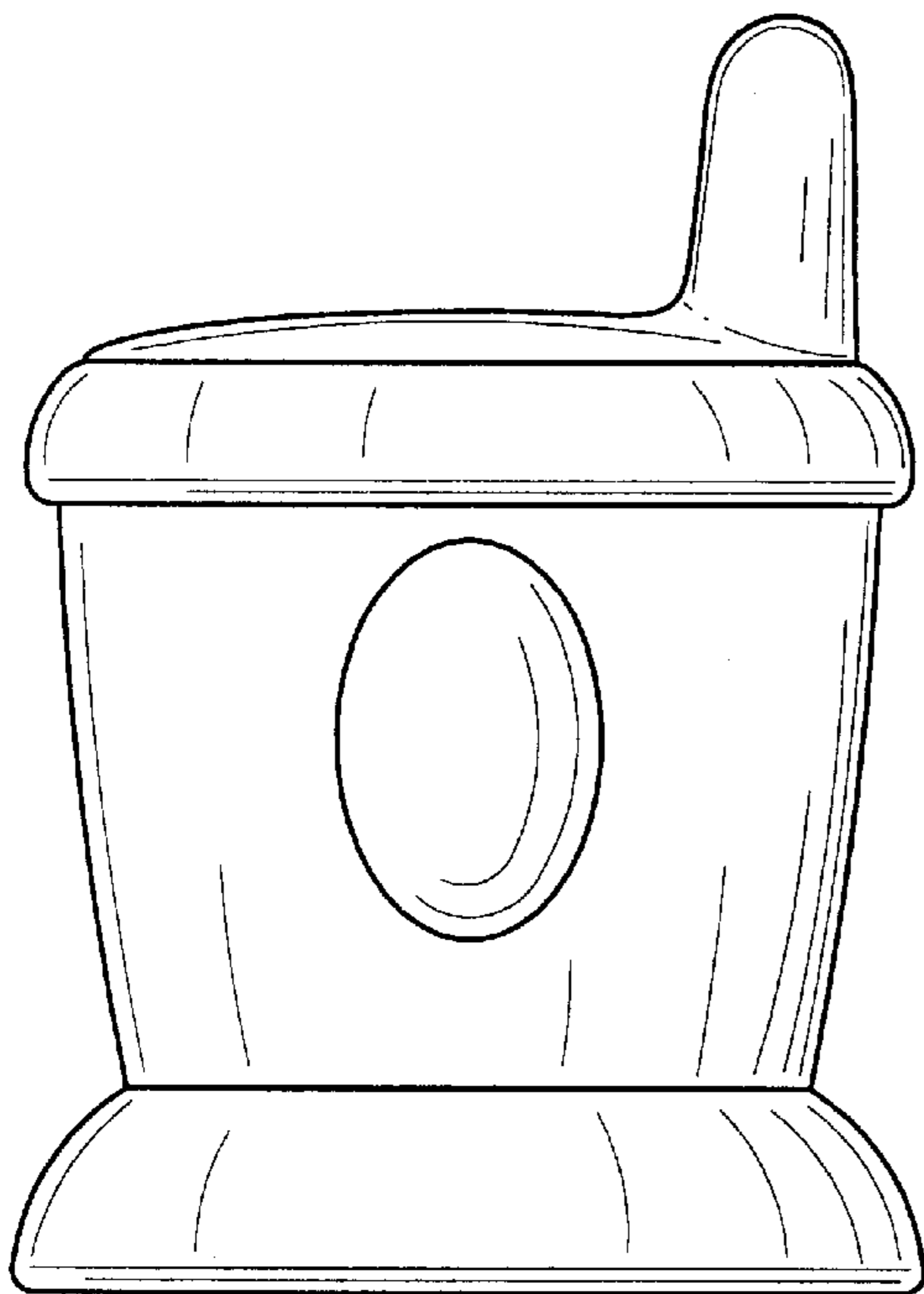


FIG. 2

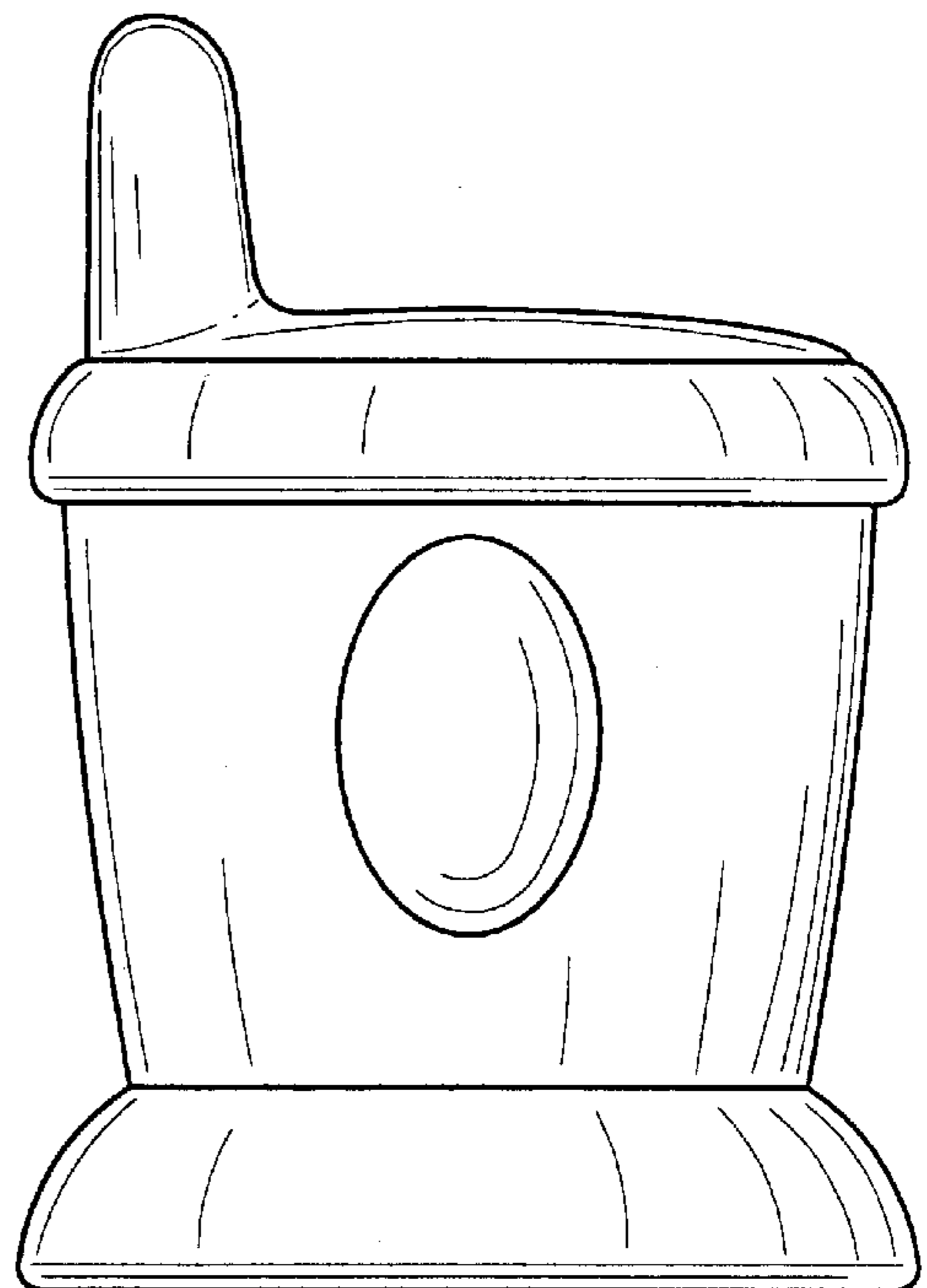


FIG. 3

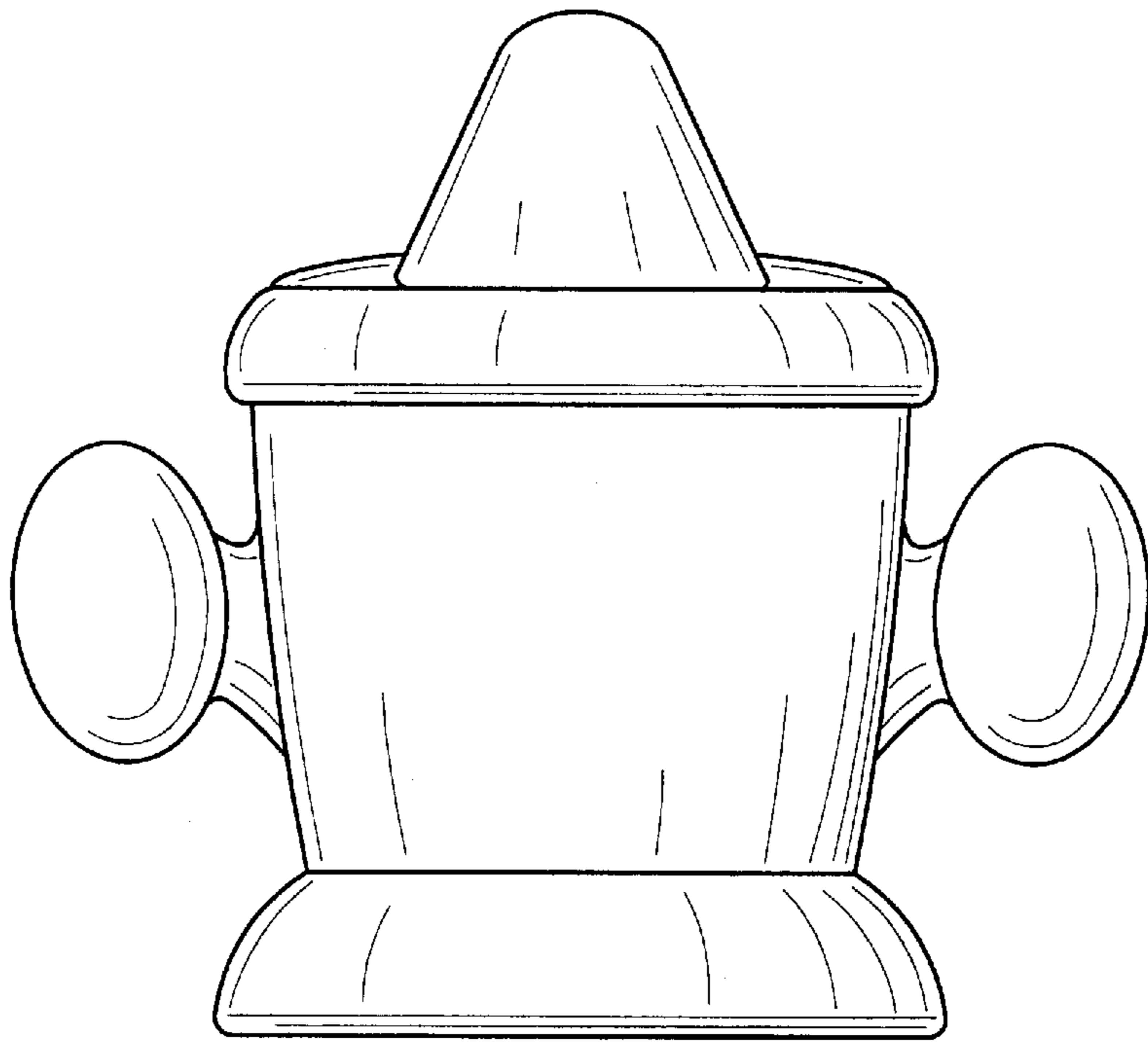


FIG. 4

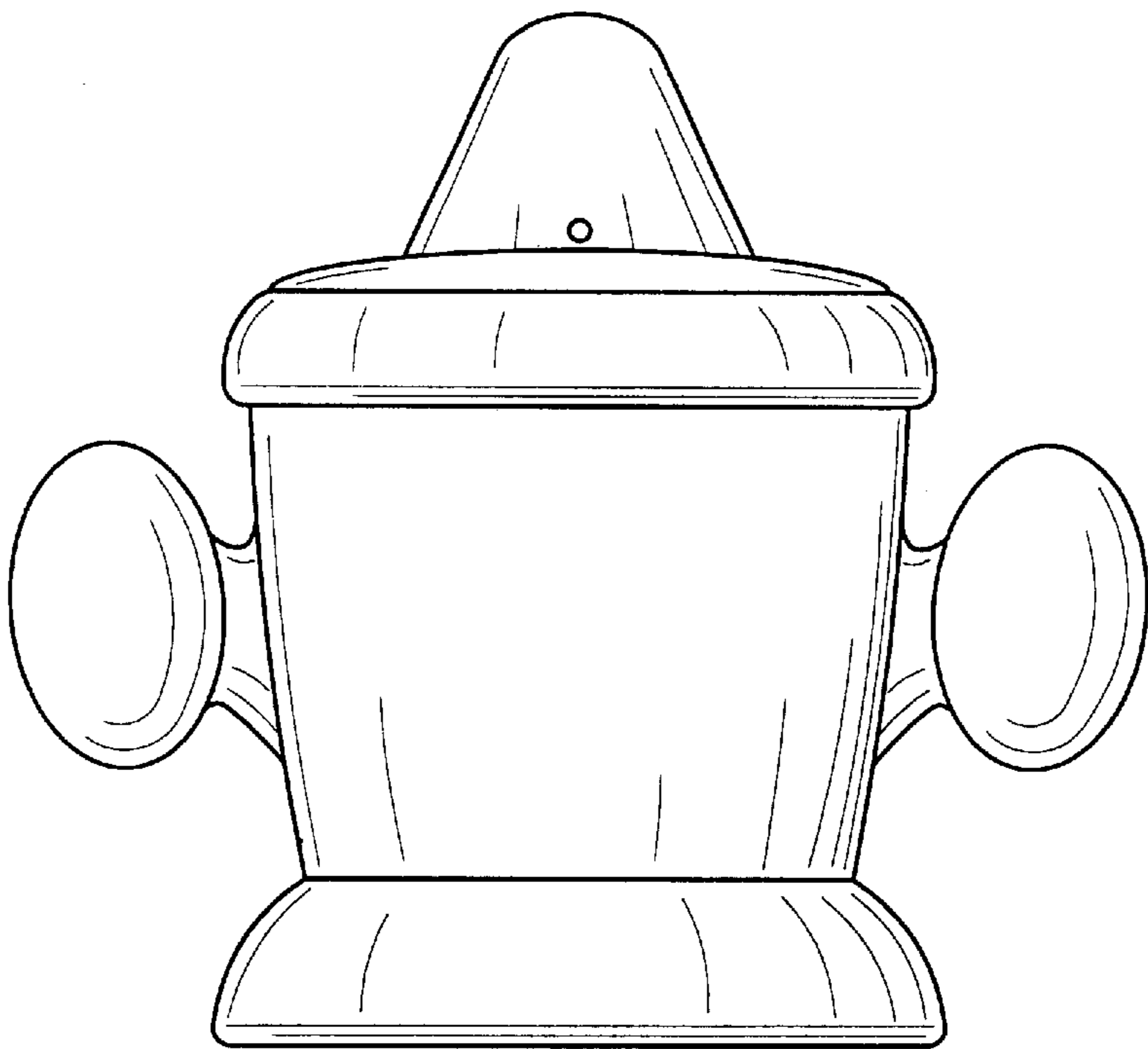


FIG. 5

FIG.6

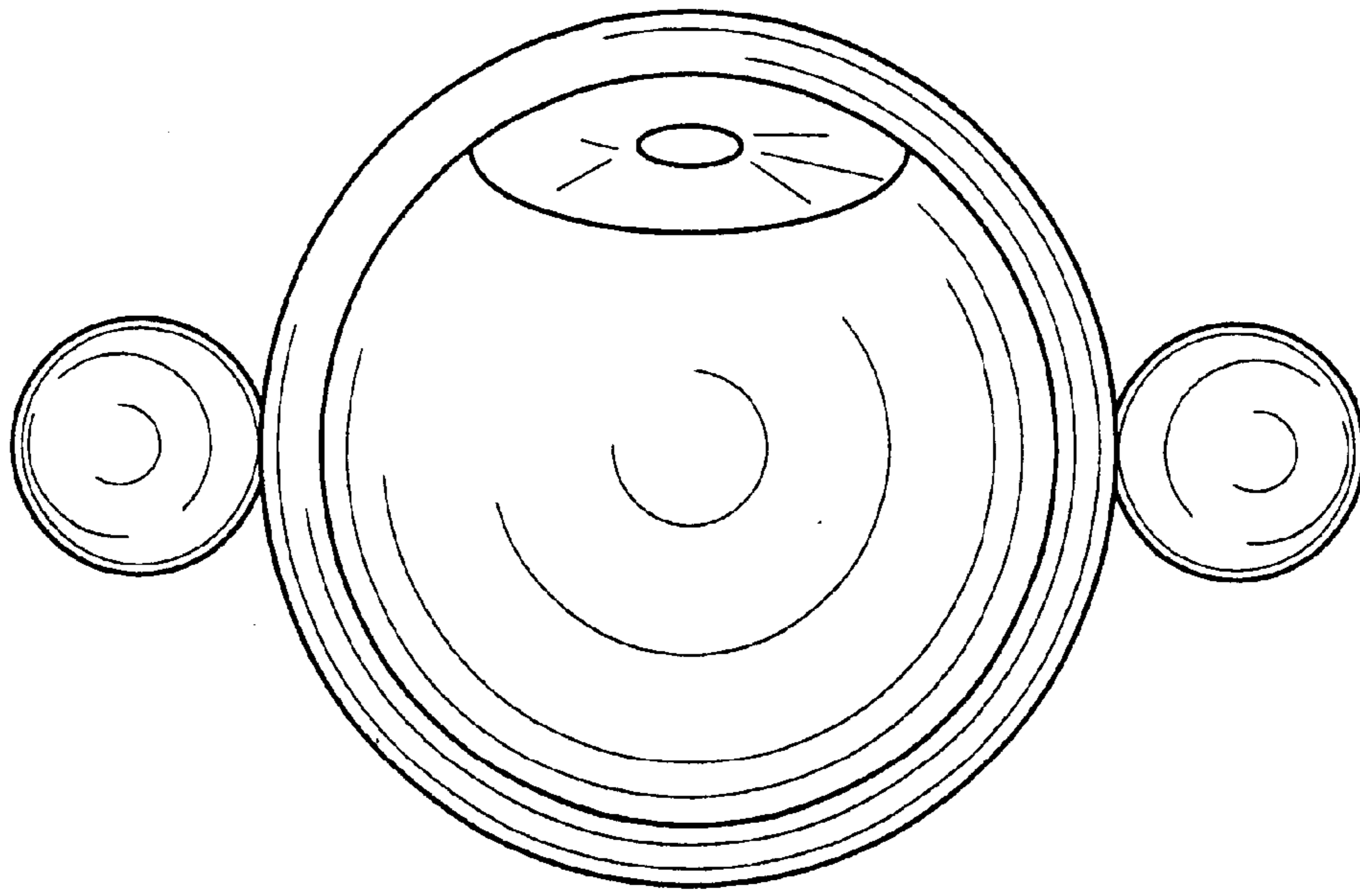


FIG.7

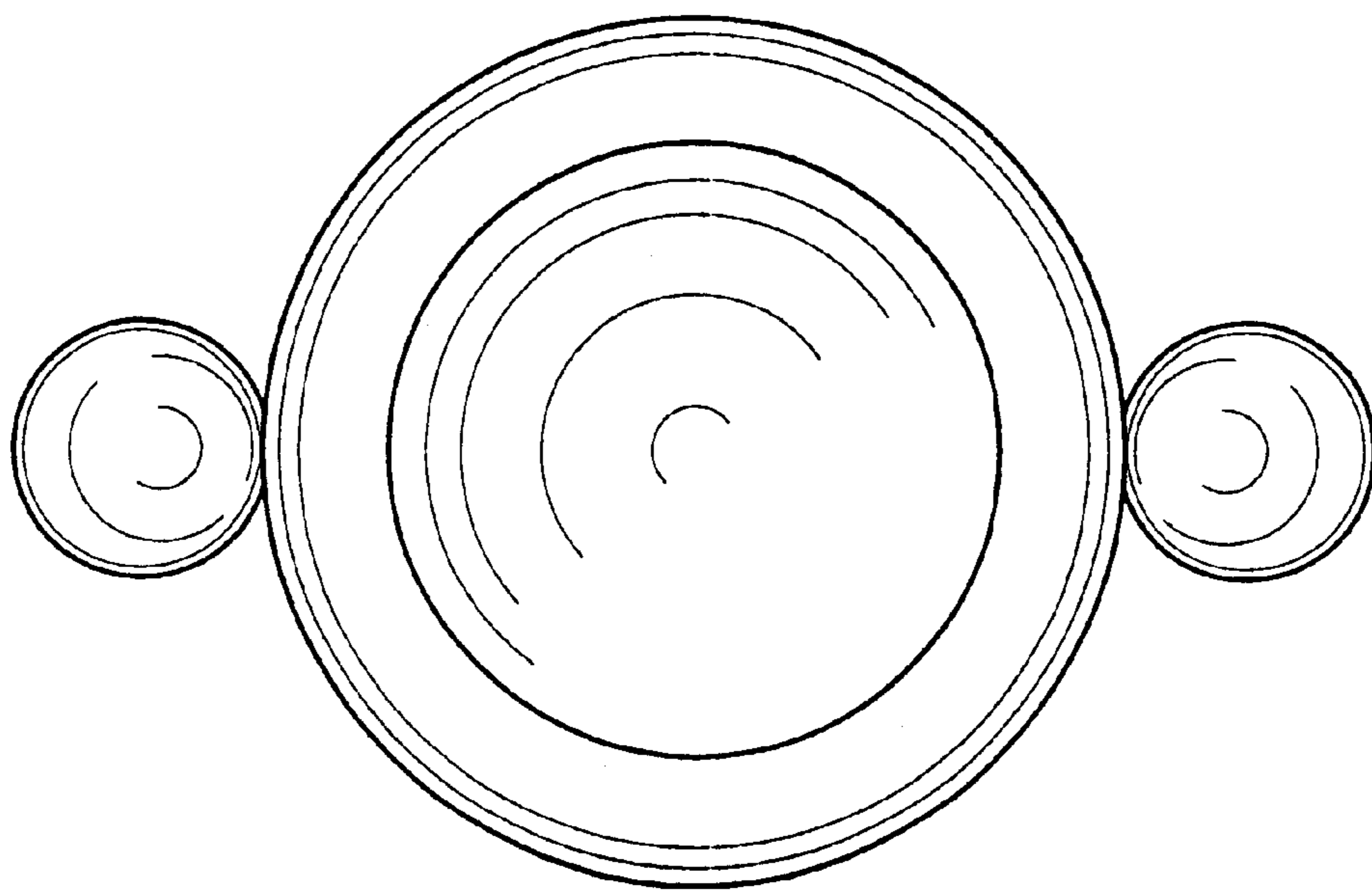


FIG.8

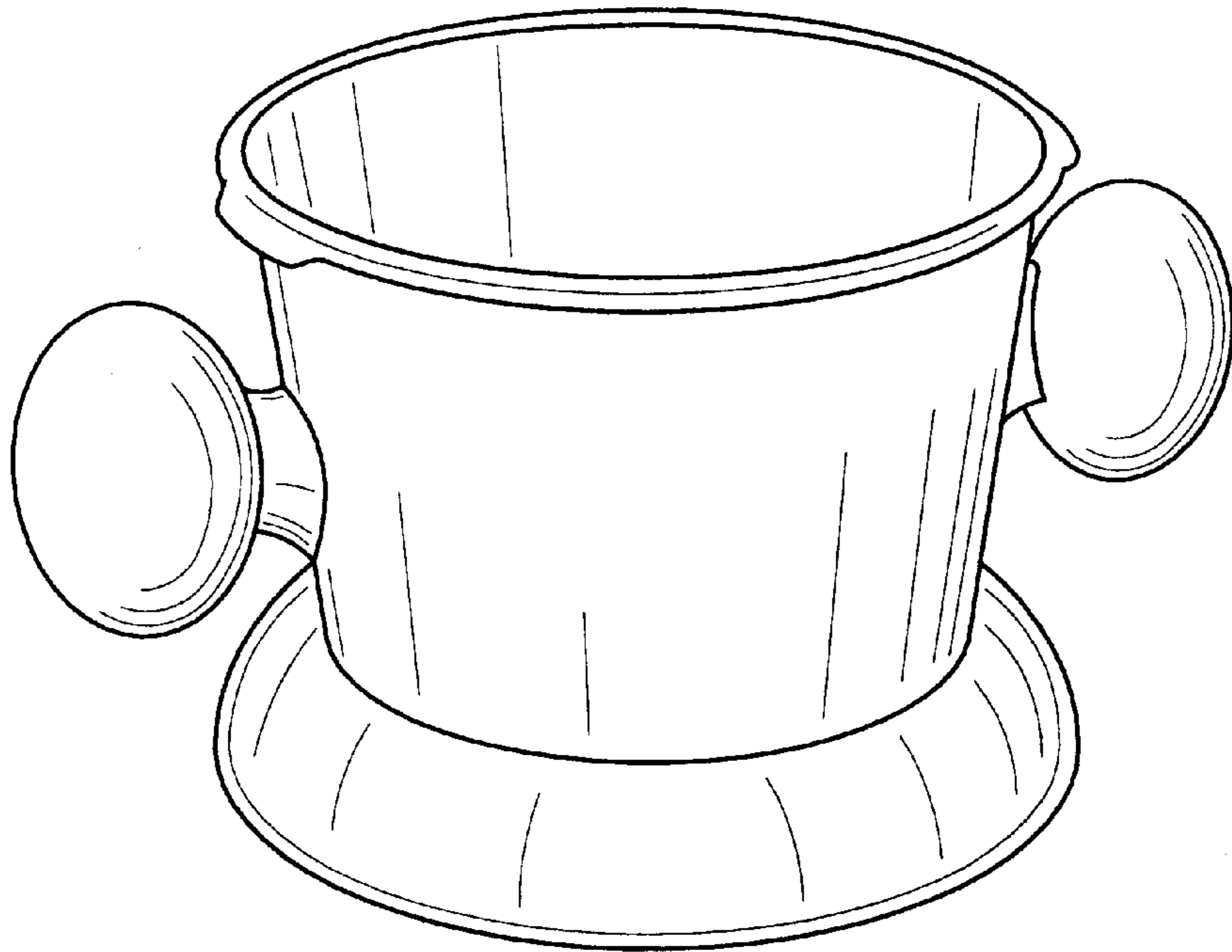


FIG.9

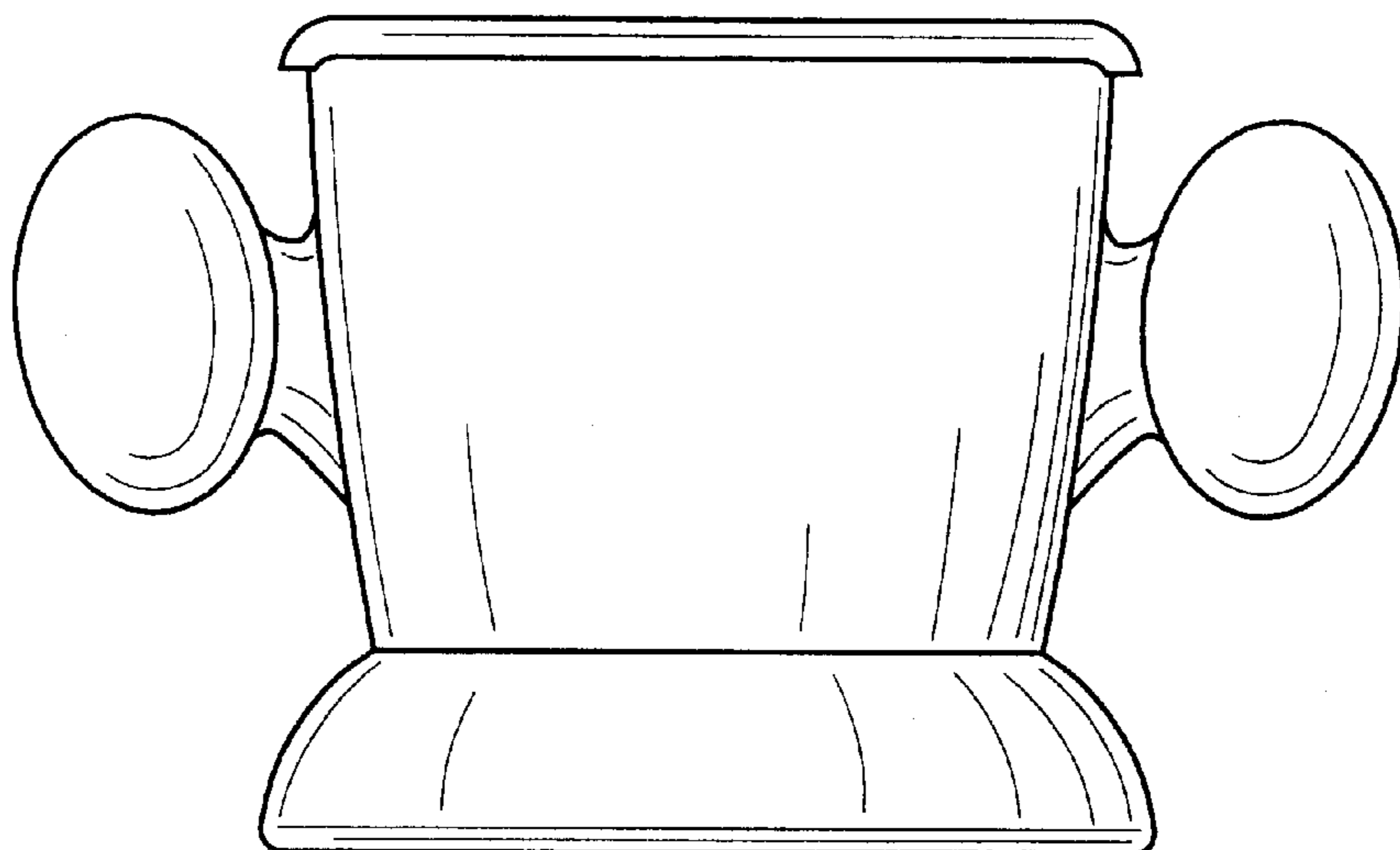


FIG. 10

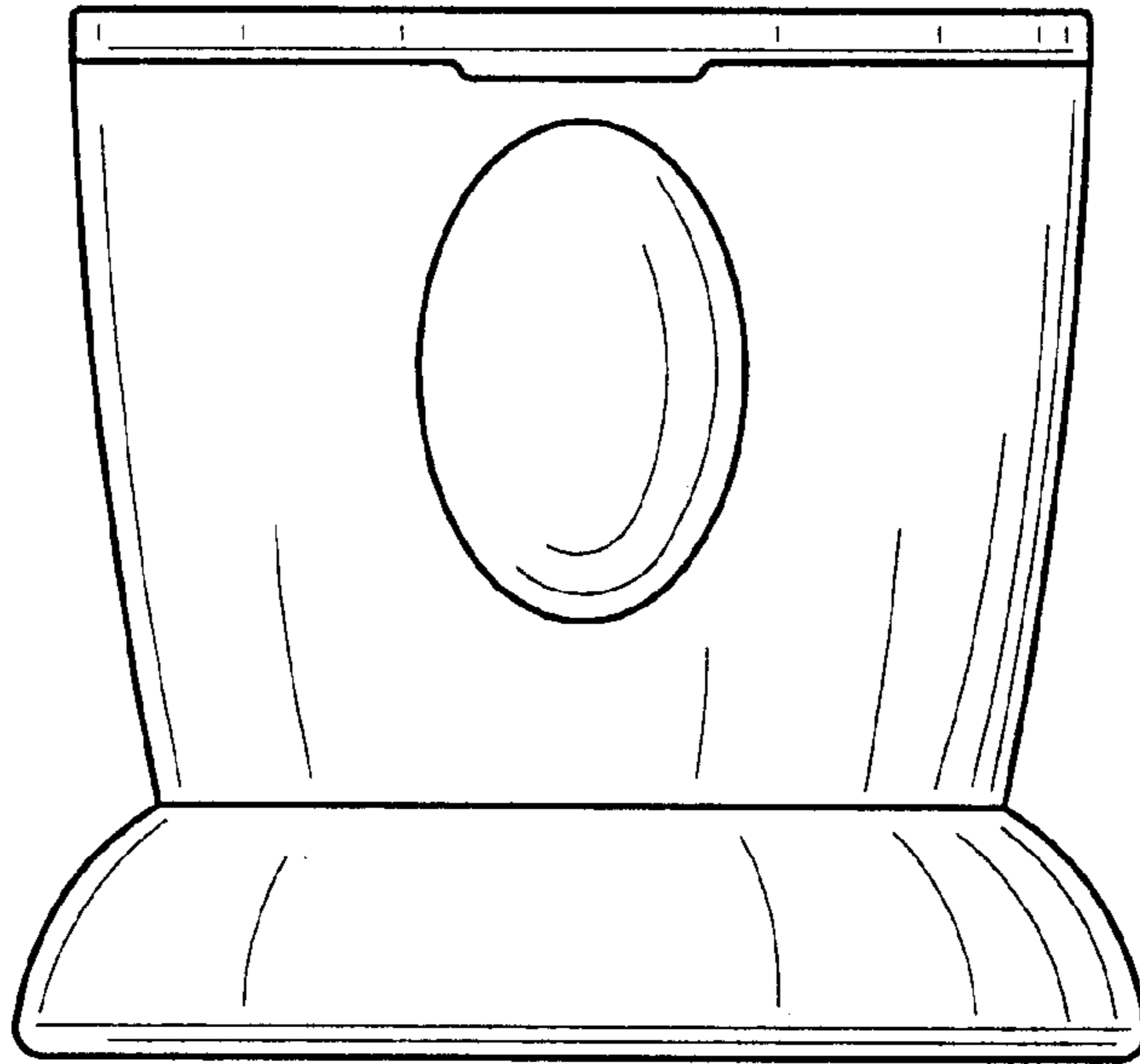


FIG. 11

