



US00D474643S

(12) **United States Design Patent**
Daniels, Jr.

(10) **Patent No.:** **US D474,643 S**

(45) **Date of Patent:** **** May 20, 2003**

- (54) **BASE FOR SMOOTHIE MAKER**
- (76) Inventor: **Thomas E. Daniels, Jr.**, 11660 S. State St., Draper, UT (US) 84020
- (**) Term: **14 Years**
- (21) Appl. No.: **29/170,458**
- (22) Filed: **Nov. 5, 2002**

Related U.S. Application Data

- (63) Continuation of application No. 10/012,239, filed on Nov. 13, 2001.
- (51) **LOC (7) Cl.** **31-00**
- (52) **U.S. Cl.** **D7/386**
- (58) **Field of Search** D7/376-386; 366/64, 366/197, 199, 205, 219, 241, 244, 314; 241/33, 301, 285.2

(56) **References Cited**

U.S. PATENT DOCUMENTS

1,412,536 A	4/1922	Mayer	241/101.2
1,874,079 A	8/1932	Black	241/97
2,066,997 A	1/1937	Mueller	81/488
2,070,545 A	2/1937	Gilbert	366/164.6
2,315,018 A	3/1943	Lawrence	99/501
2,785,547 A	3/1957	Barros	241/65
D183,177 S *	1/1958	Oertli	D7/378
2,945,634 A	7/1960	Beck et al.	241/98
3,088,345 A	5/1963	Campell	81/488
3,107,711 A	10/1963	Azmus	241/169.2
3,346,029 A	10/1967	Harris	241/199.1
3,417,972 A	12/1968	Vincent	241/199.1
3,427,636 A	2/1969	Seifert	15/105
3,765,275 A	10/1973	Johnson	81/488
3,780,393 A	12/1973	Gaetke	15/105
3,895,548 A	7/1975	Sauve	81/488
3,920,224 A	11/1975	Fassauer	366/131

4,030,707 A	6/1977	Moreton	366/194
4,137,578 A	2/1979	Felici	4/654
4,201,487 A	5/1980	Backhaus	366/304
4,250,771 A	2/1981	Berler	81/487
4,268,080 A	5/1981	Lindley	294/1.1
D269,471 S	6/1983	Auerbach	D32/35
4,395,792 A	8/1983	Cosner	15/105
4,397,427 A	8/1983	Howard	241/30
4,513,688 A	4/1985	Fassauer	119/57.1
4,561,782 A	12/1985	Jacobsen et al.	366/349
5,302,021 A	4/1994	Jennett et al.	366/348
D370,151 S *	5/1996	McLinden et al.	D7/378
2001/0006486 A1	7/2001	Ofverberg	366/205
2002/0080678 A1 *	6/2002	Daniels, Jr.	366/205

OTHER PUBLICATIONS

The Chef's Catalog; Fall 2002; p. 18 Smoothie pro 600, bottom left of page.*

* cited by examiner

Primary Examiner—Caron D. Veynar

(74) *Attorney, Agent, or Firm*—Thorpe North & Western

(57) **CLAIM**

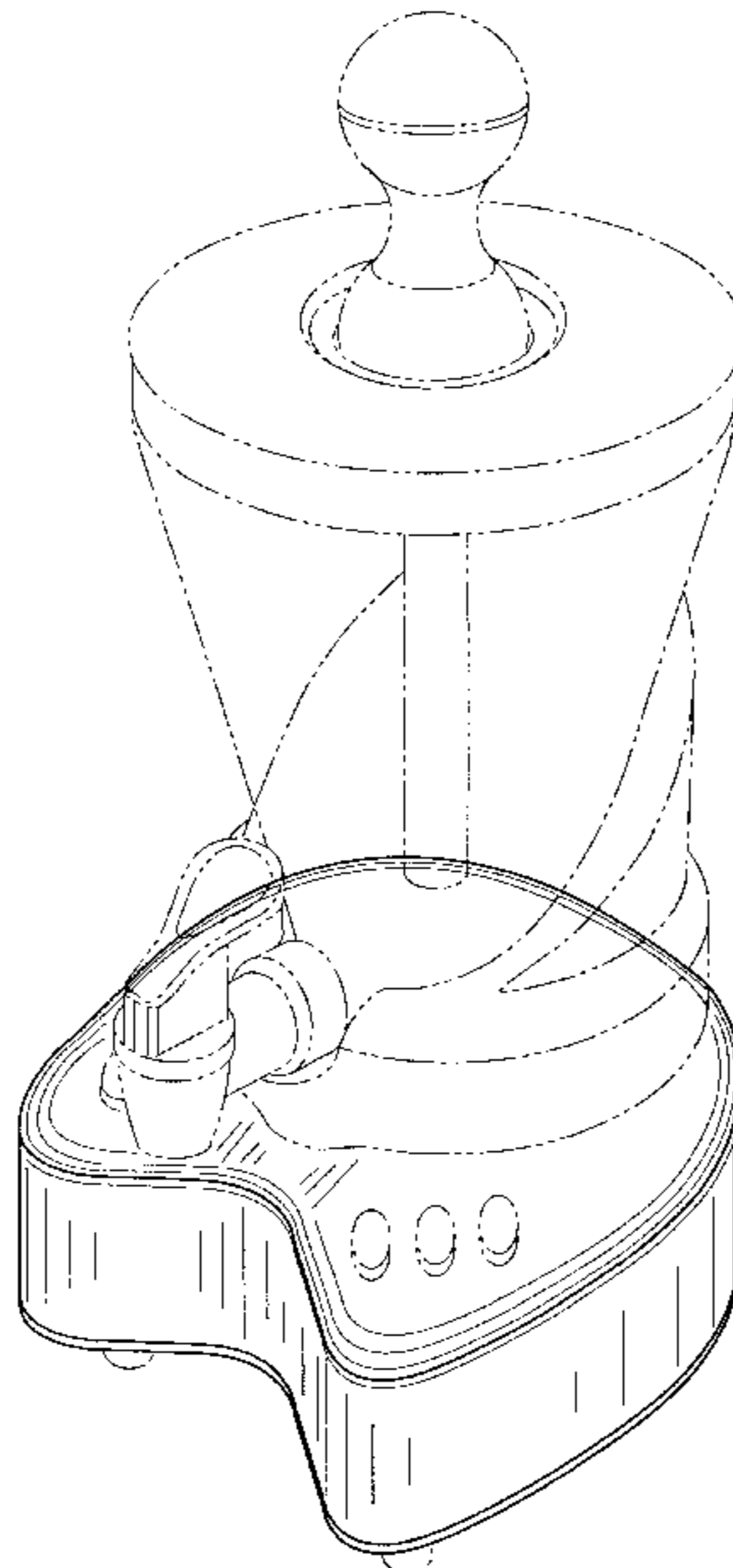
The ornamental design for a base for smoothie maker, as shown and described.

DESCRIPTION

FIG. 1 is an elevated, perspective view of the base for smoothie maker in accordance with my invention; FIG. 2 is a front elevation view thereof; FIG. 3 is a back elevation view thereof; FIG. 4 is a left side elevation view thereof; FIG. 5 is a right side elevation view thereof; FIG. 6 is a top plan view thereof; and, FIG. 7 is a bottom plan view thereof.

The broken lines shown in FIGS. 1-7 are for illustrative purposes only and form no part of the claimed design.

1 Claim, 7 Drawing Sheets



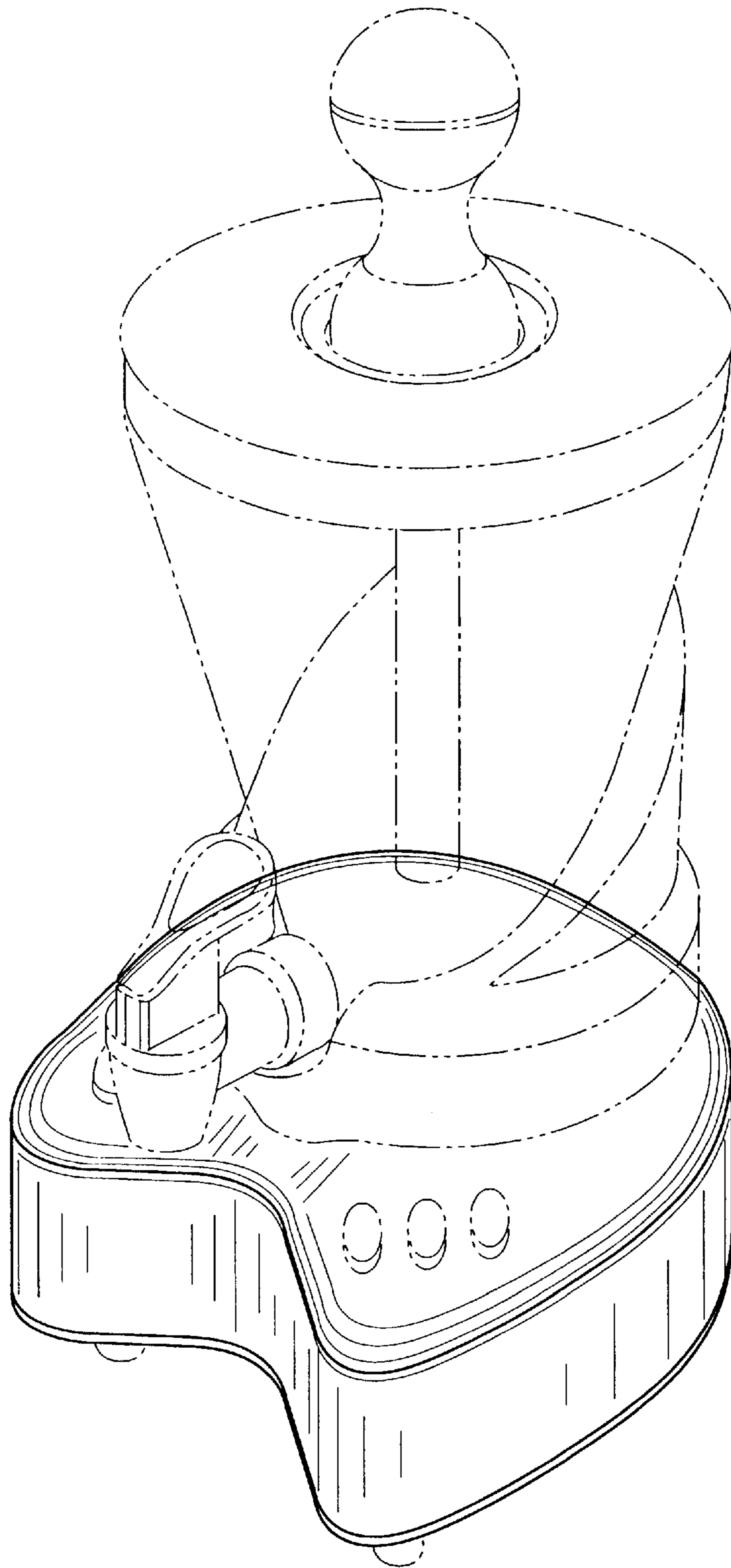


Fig. 1

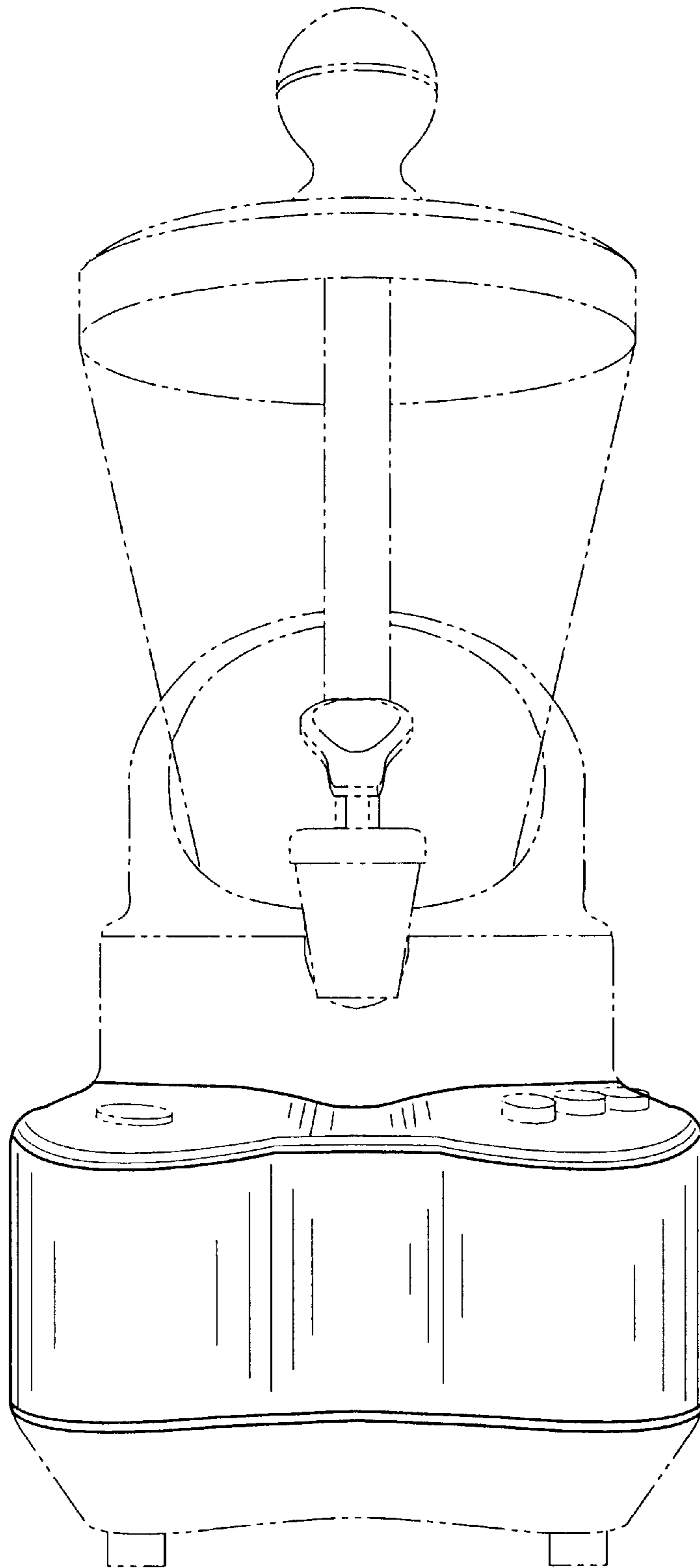


Fig. 2

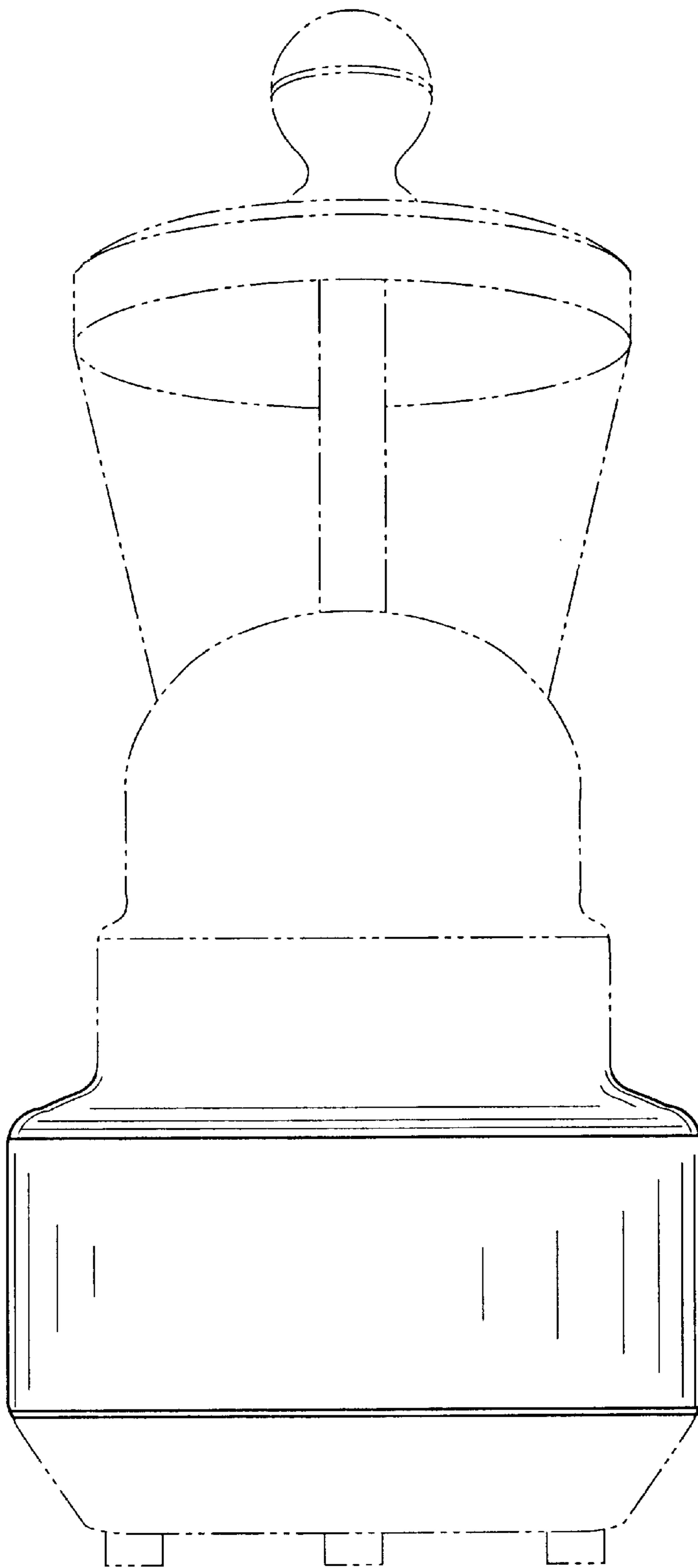


Fig. 3

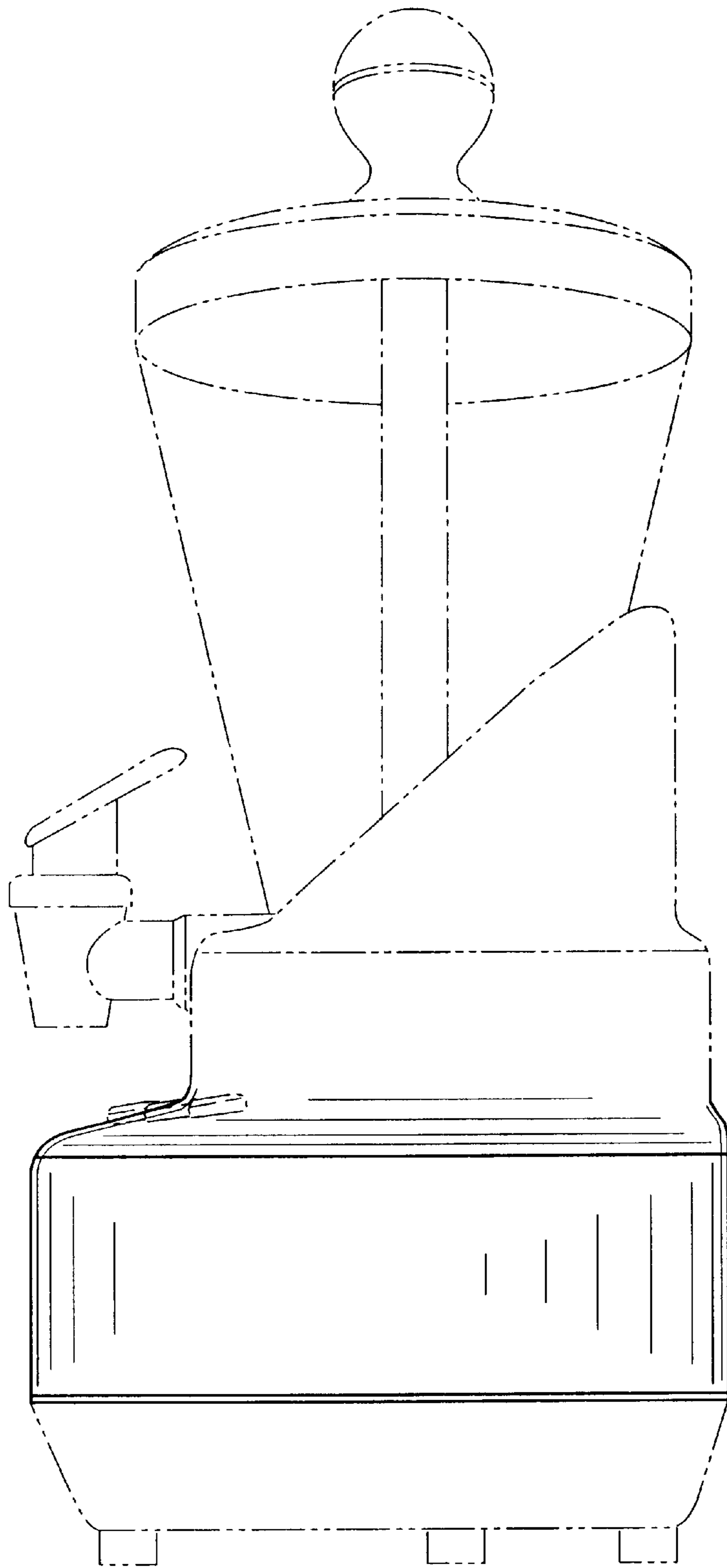


Fig. 4

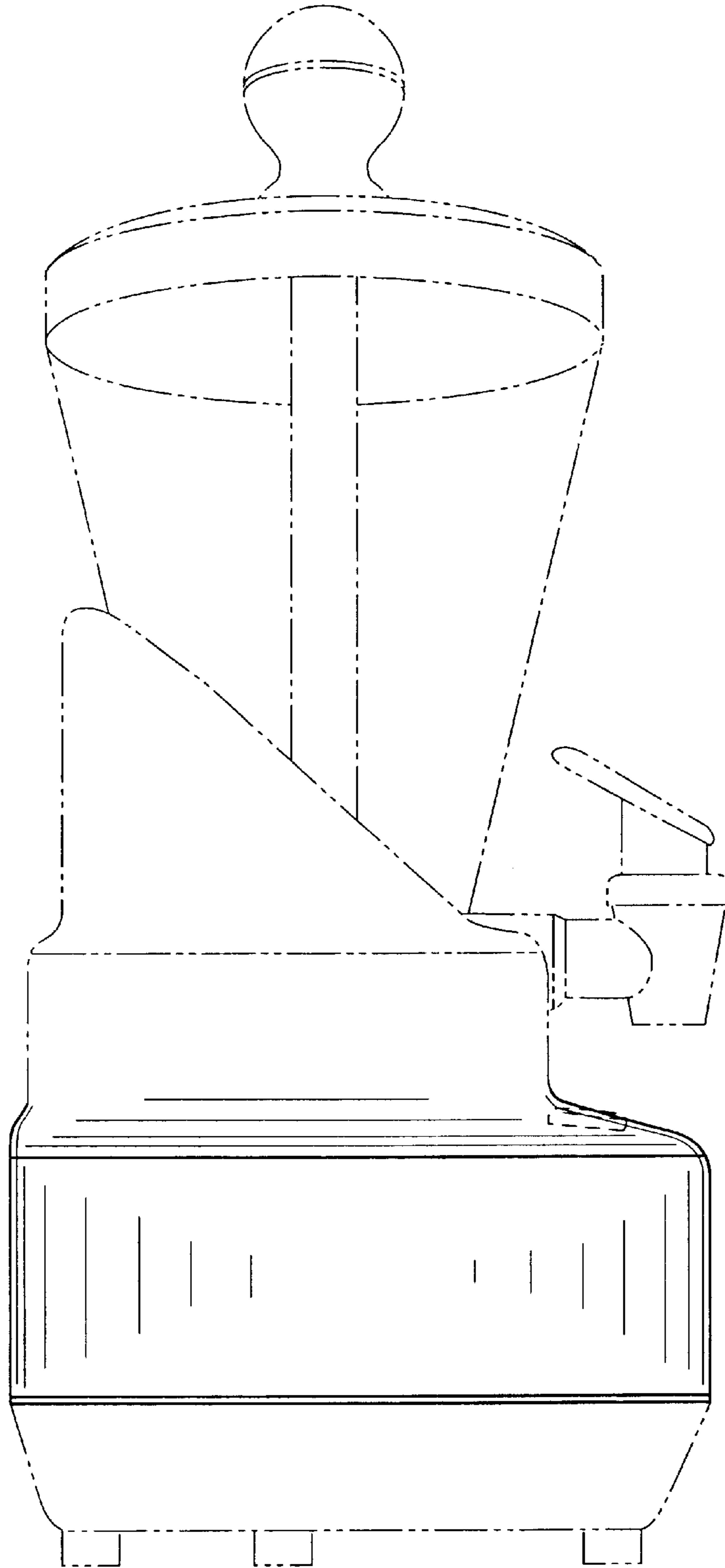


Fig. 5

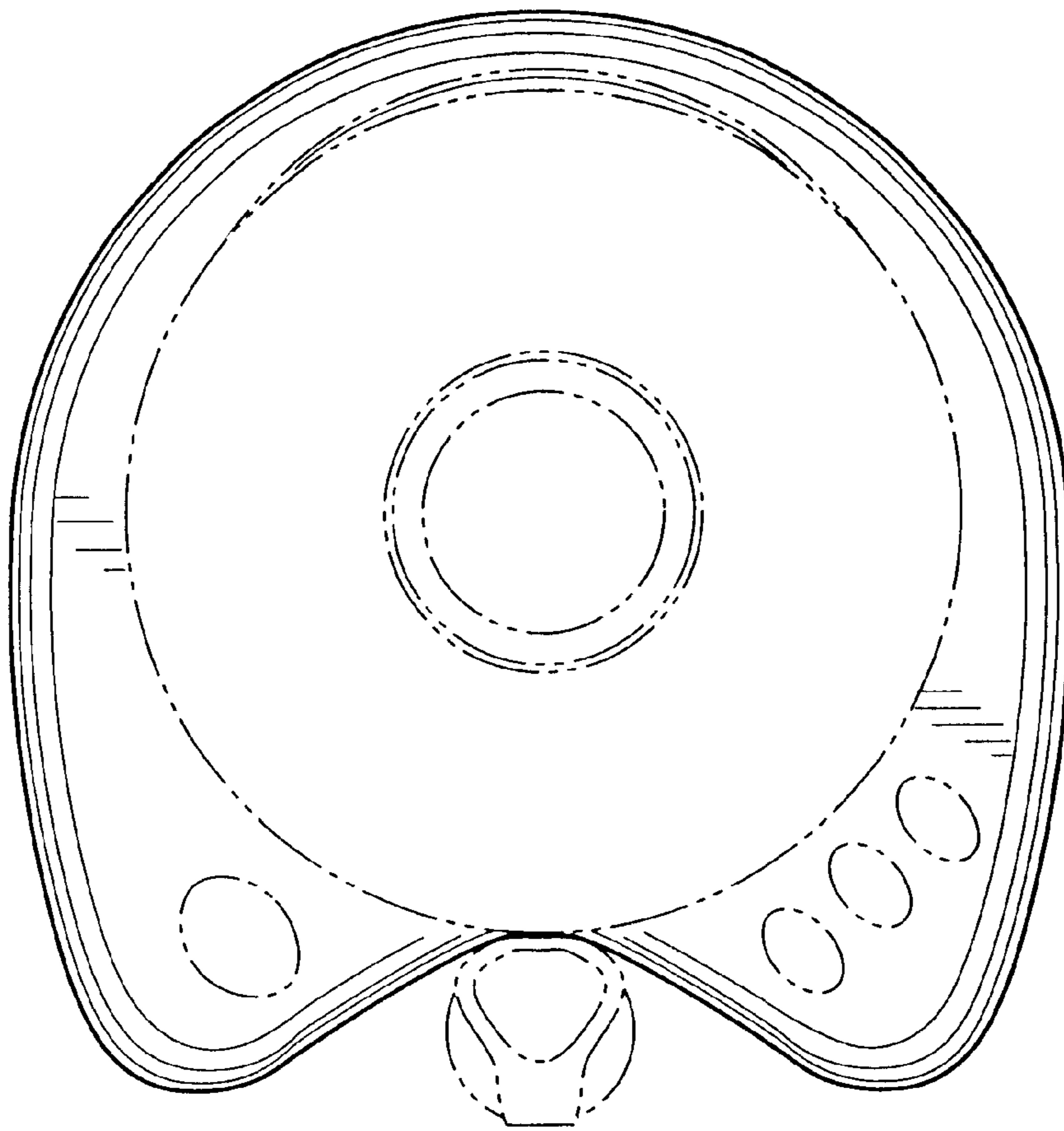


Fig. 6

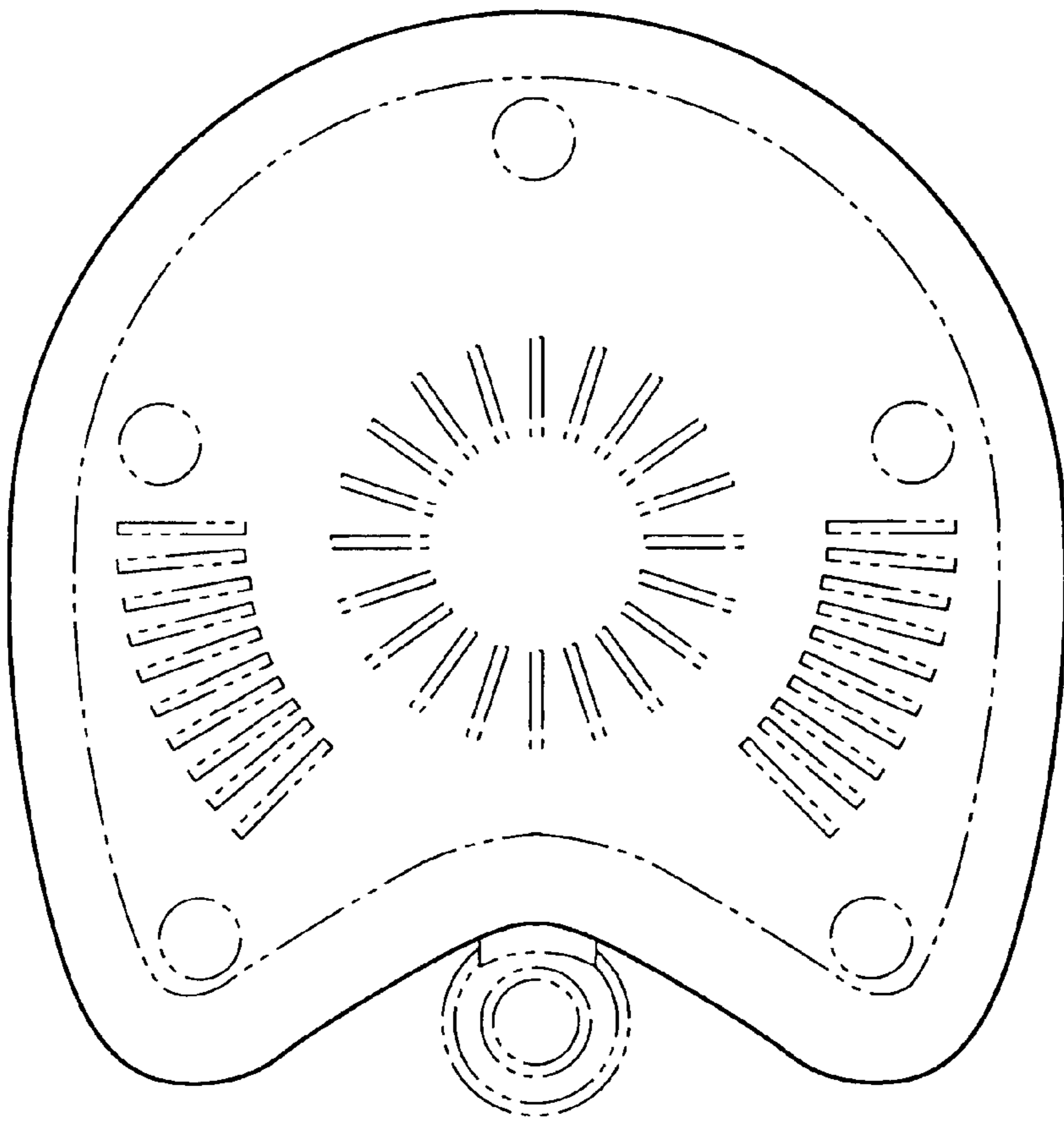


Fig. 7