



US00D474640S

(12) **United States Design Patent**  
**Holderfield et al.**

(10) **Patent No.:** **US D474,640 S**

(45) **Date of Patent:** **\*\* May 20, 2003**

(54) **TWO-SLICE TOASTER**

(75) Inventors: **Gregory James Holderfield**, Chicago, IL (US); **Elliott Hsu**, Chicago, IL (US); **Augusto A. Picozza**, Boca Raton, FL (US)

(73) Assignee: **Sunbeam Products, Inc.**, Boca Raton, FL (US)

(\*\*) Term: **14 Years**

(21) Appl. No.: **29/168,968**

(22) Filed: **Oct. 12, 2002**

(51) **LOC (7) Cl.** ..... **07-02**

(52) **U.S. Cl.** ..... **D7/330**

(58) **Field of Search** ..... D7/328-330, 390;  
99/372, 385, 389

(56) **References Cited**

**U.S. PATENT DOCUMENTS**

- D338,368 S \* 8/1993 Naft et al. .... D7/330
- D424,861 S \* 5/2000 Hughes ..... D7/330

- D428,759 S \* 8/2000 Hughes ..... D7/330
- D440,460 S \* 4/2001 Davis et al. .... D7/330
- D442,419 S \* 5/2001 Carrere ..... D7/330
- D460,655 S \* 7/2002 Piret ..... D7/330

\* cited by examiner

*Primary Examiner*—Caron D. Veynar

(74) *Attorney, Agent, or Firm*—Lawrence J. Shurupoff

(57) **CLAIM**

The ornamental design for a two-slice toaster, as shown and described.

**DESCRIPTION**

FIG. 1 is a top front right perspective view of the two-slice toaster showing the new design;  
 FIG. 2 is a left side elevation view thereof and being the same as the right side elevational view thereof;  
 FIG. 3 is a front elevation view thereof;  
 FIG. 4 is a top plan view thereof;  
 FIG. 5 is a rear elevation view thereof; and,  
 FIG. 6 is a bottom plan view thereof.

**1 Claim, 3 Drawing Sheets**

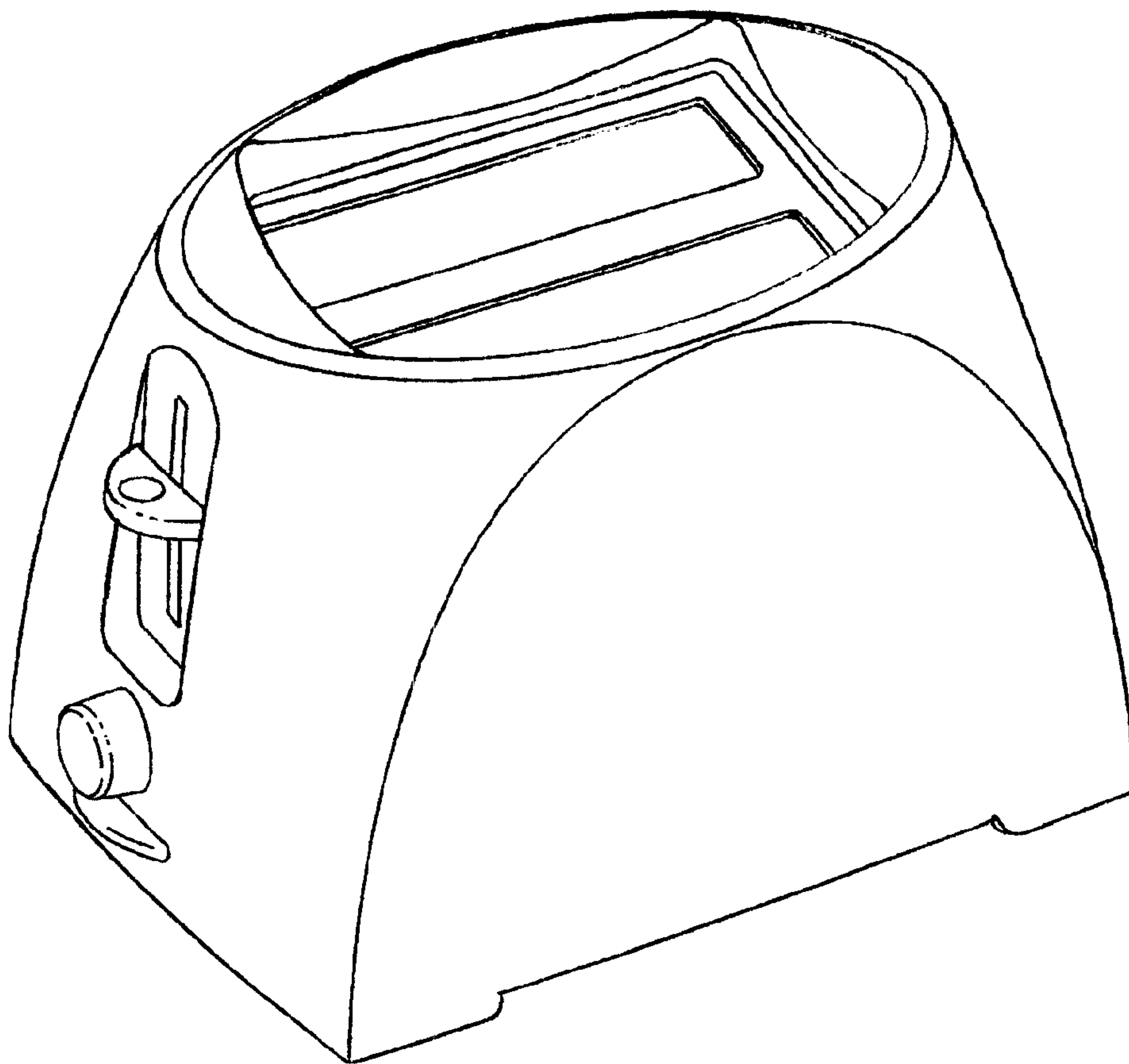


FIG 1

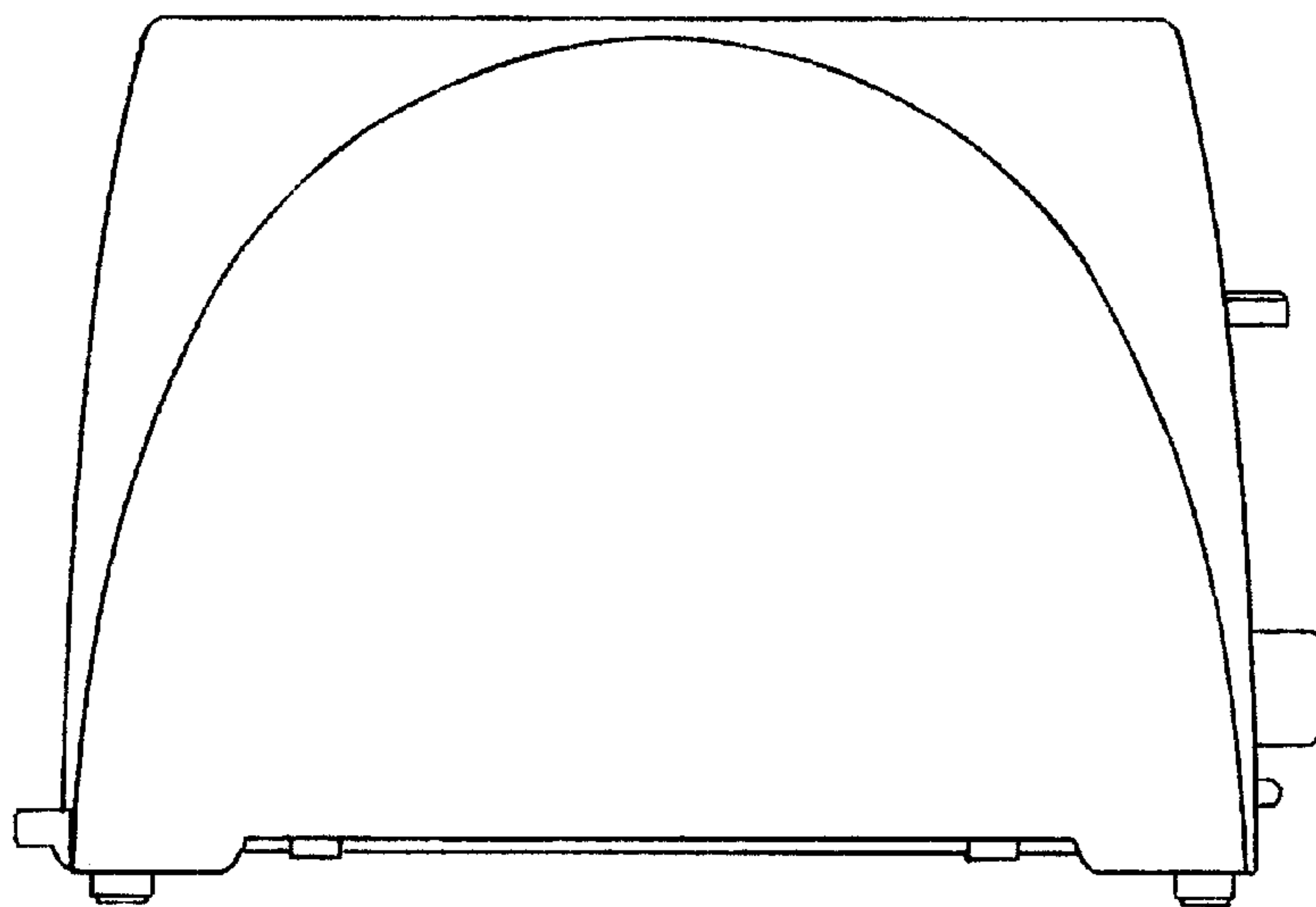
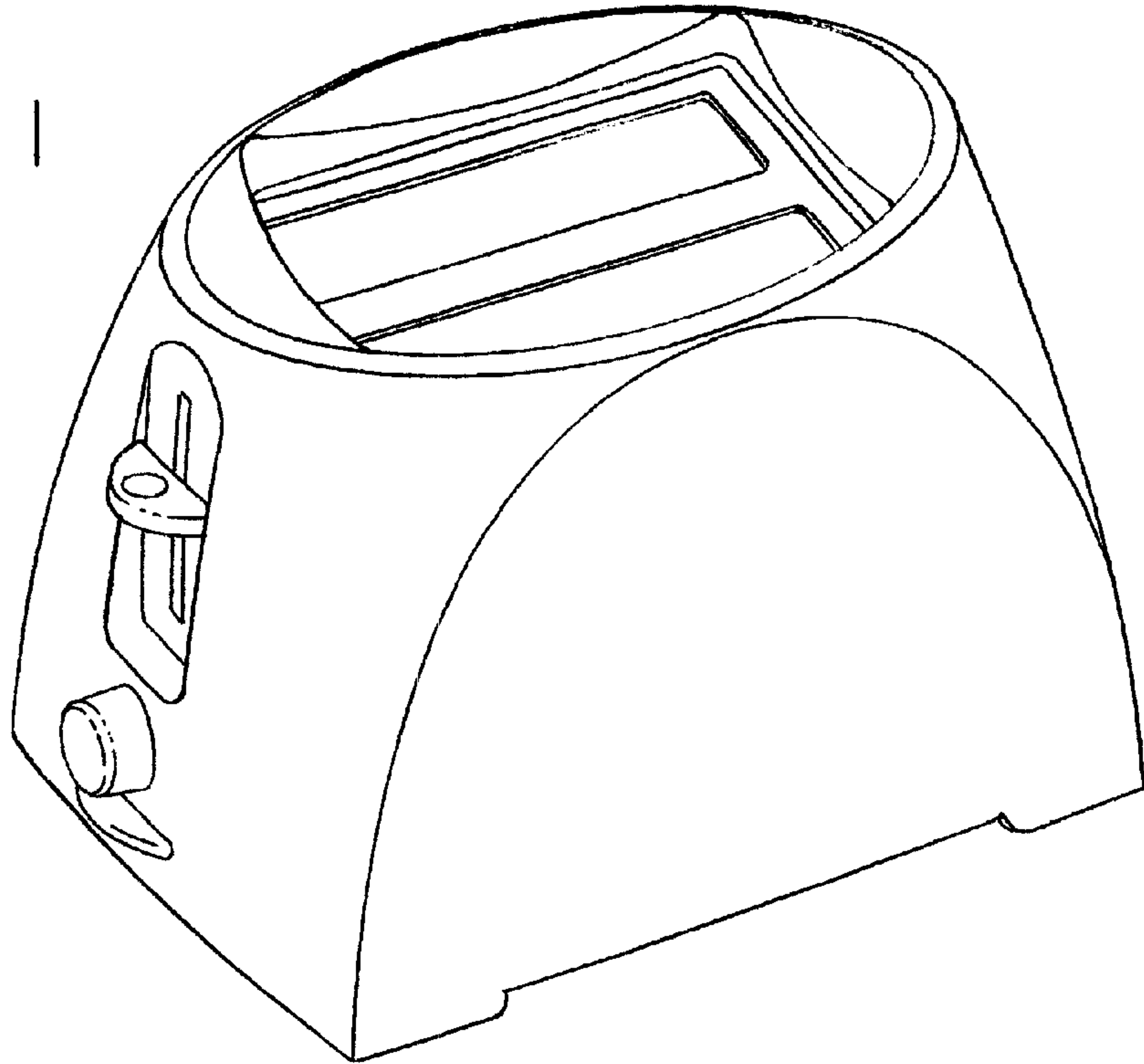


FIG 2

FIG 3

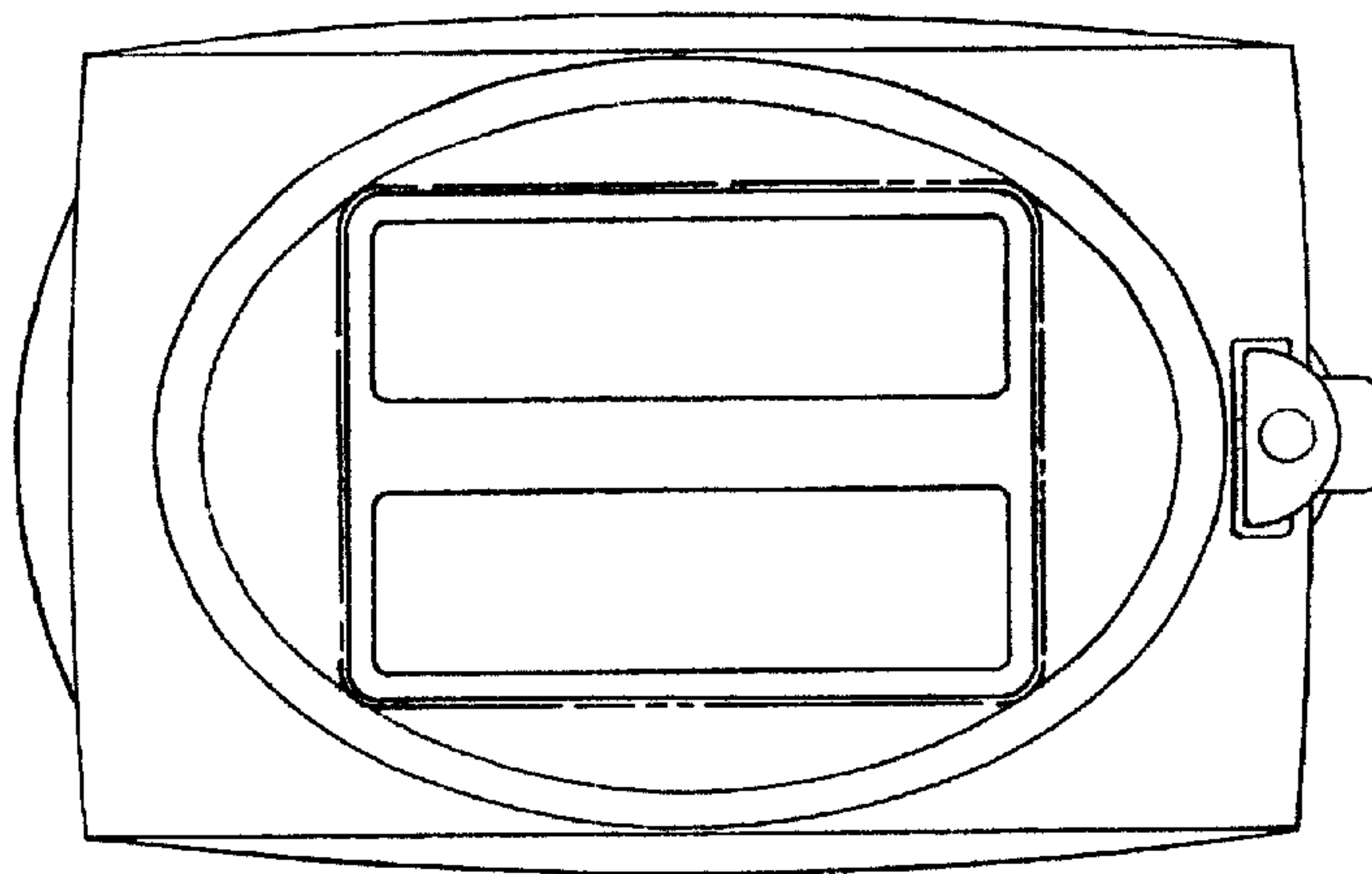
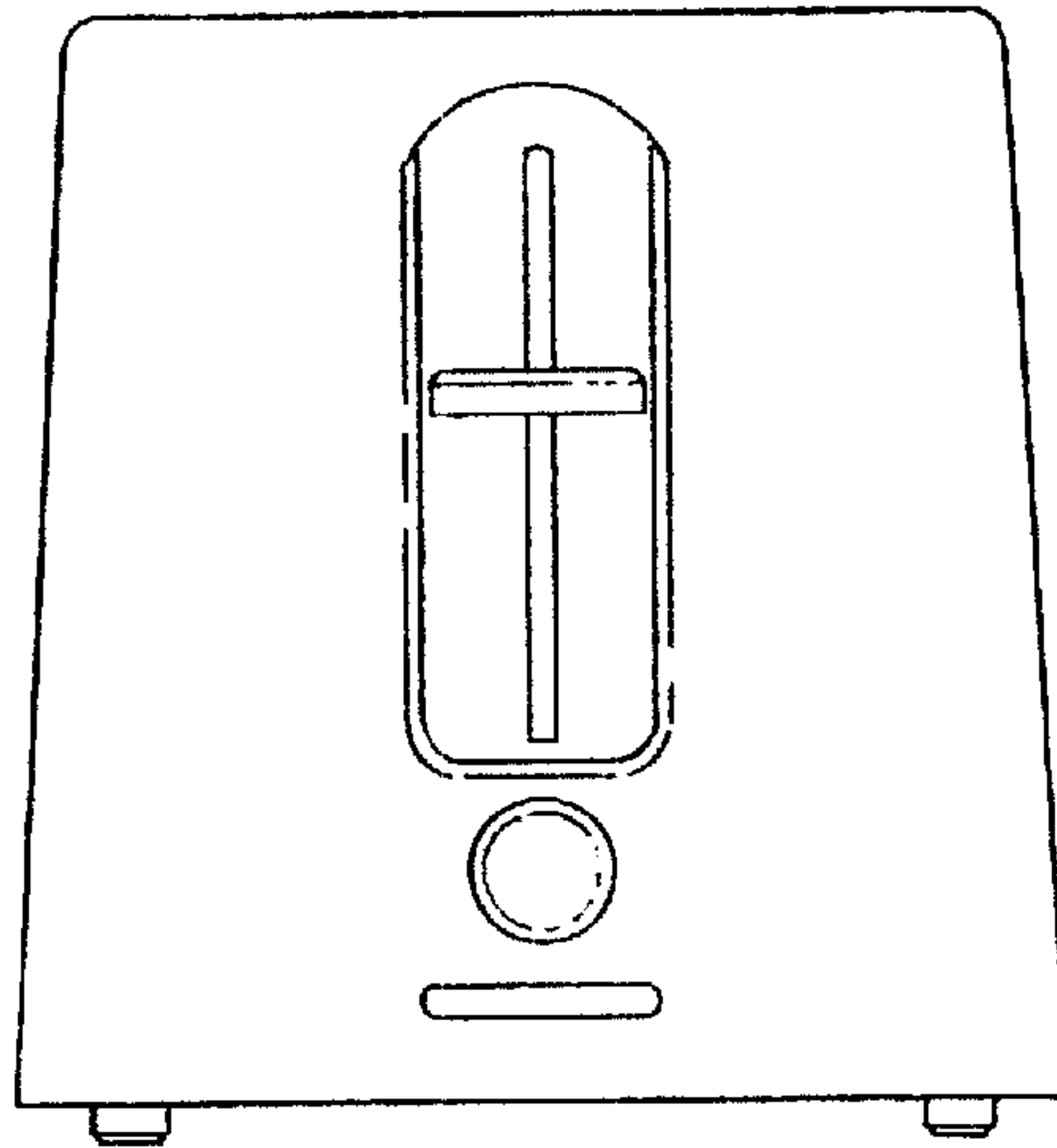
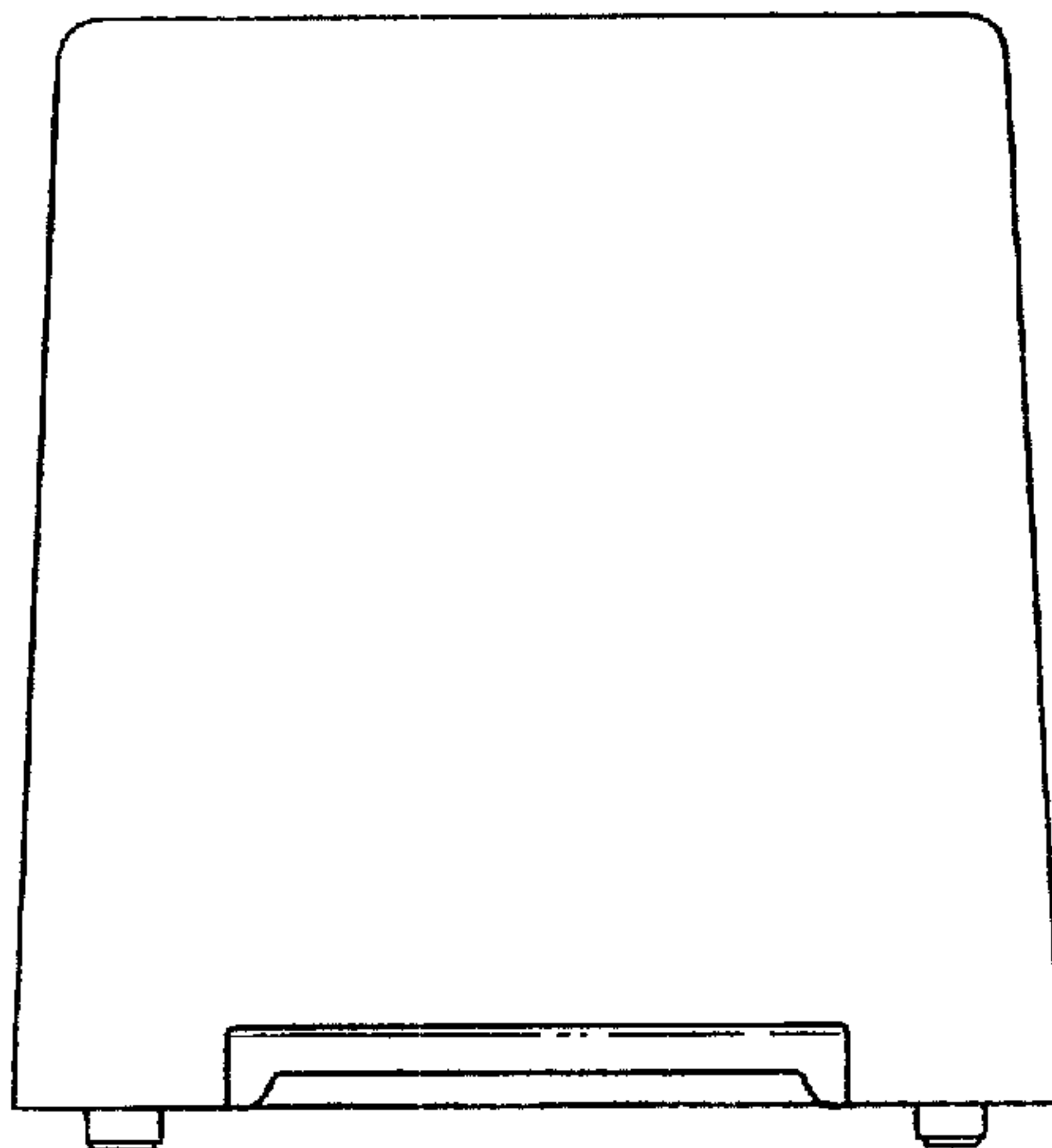


FIG 4

FIG 5



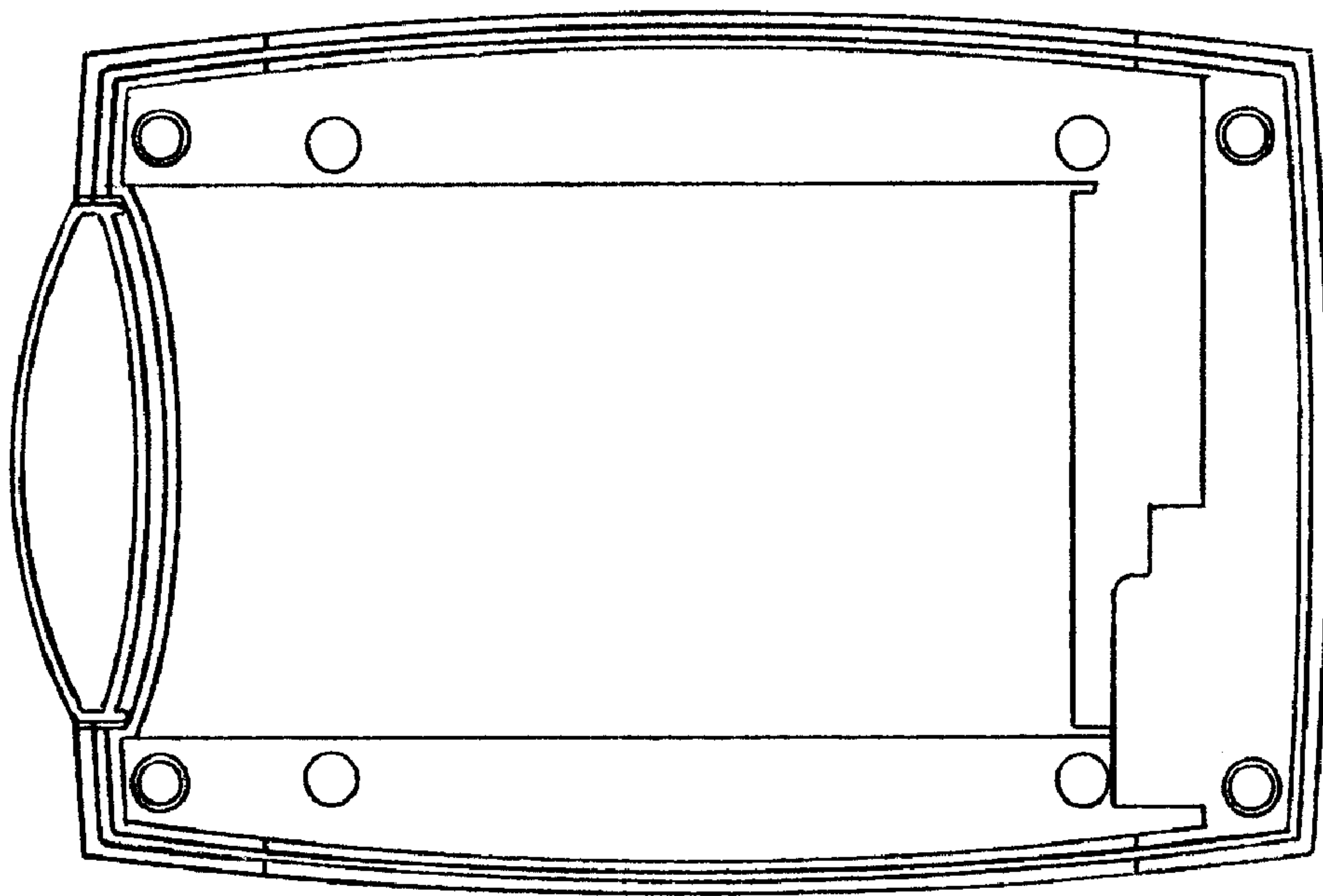


FIG 6