



US00D474630S

(12) **United States Design Patent**
Piretti

(10) **Patent No.:** **US D474,630 S**

(45) **Date of Patent:** **** May 20, 2003**

- (54) **ARMLESS TASK CHAIR**
- (75) Inventor: **Giancarlo Piretti**, Bologna (IT)
- (73) Assignee: **Pro-Cord S.p.A.**, Bologna (IT)
- (**) Term: **14 Years**

- 5,921,630 A 7/1999 Cassaday
- D416,407 S 11/1999 Baumann et al.
- D417,101 S 11/1999 DeSanta et al.
- D417,793 S 12/1999 Ritch et al.
- D436,259 S 1/2001 Nagamitsu
- D436,768 S 1/2001 Jenkins et al.
- D445,613 S * 7/2001 Ginat D6/500

- (21) Appl. No.: **29/158,460**
- (22) Filed: **Apr. 4, 2002**

FOREIGN PATENT DOCUMENTS

WO DMA/004150 5/1998

OTHER PUBLICATIONS

Related U.S. Application Data

- (62) Division of application No. 29/124,741, filed on Jun. 9, 2000, now Pat. No. Des. 468,564.
- (51) **LOC (7) Cl.** **06-06**
- (52) **U.S. Cl.** **D6/500; D6/366**
- (58) **Field of Search** D6/334, 364, 365, D6/366, 367, 500, 501, 502; 297/411.2, 411.27

- “Precedence” Brochure KI-00241/BD/IS/IT/PP/1097, Krueger International, Inc., 1330 Bellevue Street, Green Bay, WI 54302, 1997.
- “Piretti 2000 Seating” Brochure KI-00018/PP195, Krueger International, Inc. 1330 Bellevue Street, Green Bay, WI 54308-8100, 1995.
- “Office Seating—The Piretti Collection” Brochure CN-07152/PP491, Krueger International, Inc. 1330 Bellevue Street, Green Bay, WI 54302, undated.

(56) **References Cited**

U.S. PATENT DOCUMENTS

- D305,284 S 1/1990 Piretti
- D325,824 S 5/1992 Piretti
- D326,783 S 6/1992 Piretti
- D328,822 S 8/1992 Piretti
- D349,621 S 8/1994 Wilson
- D367,980 S 3/1996 Hodge et al.
- D368,380 S 4/1996 Olson et al.
- D372,595 S * 8/1996 Schultz et al. D6/366
- D390,712 S 2/1998 Koepke et al.
- D398,464 S 9/1998 Cronk
- D401,076 S 11/1998 Crinion
- D401,771 S 12/1998 Goodworth et al.
- D405,618 S 2/1999 Reutepohler et al.
- D406,710 S 3/1999 Holstensson
- D407,246 S 3/1999 Stumpf
- D407,576 S * 4/1999 Ritch et al. D6/500
- D407,911 S 4/1999 Brauning
- D410,808 S 6/1999 Baumann et al.
- D411,396 S 6/1999 Stumpf

* cited by examiner

Primary Examiner—Gary D. Watson
(74) *Attorney, Agent, or Firm*—Boyle, Fredrickson, Newholm, Stein & Gratz, S.C.

(57) **CLAIM**

The ornamental design of an armless task chair, as shown and described.

DESCRIPTION

FIG. 1 is a front elevation view of a chair incorporating my new design;
FIG. 2 is a rear elevation view thereof;
FIG. 3 is a left side elevation view thereof, the right side elevation being a mirror image; and,
FIG. 4 is a bottom plan view thereof.
The broken lines shown are for illustrative purposes only and form no part of the claimed design.

1 Claim, 2 Drawing Sheets

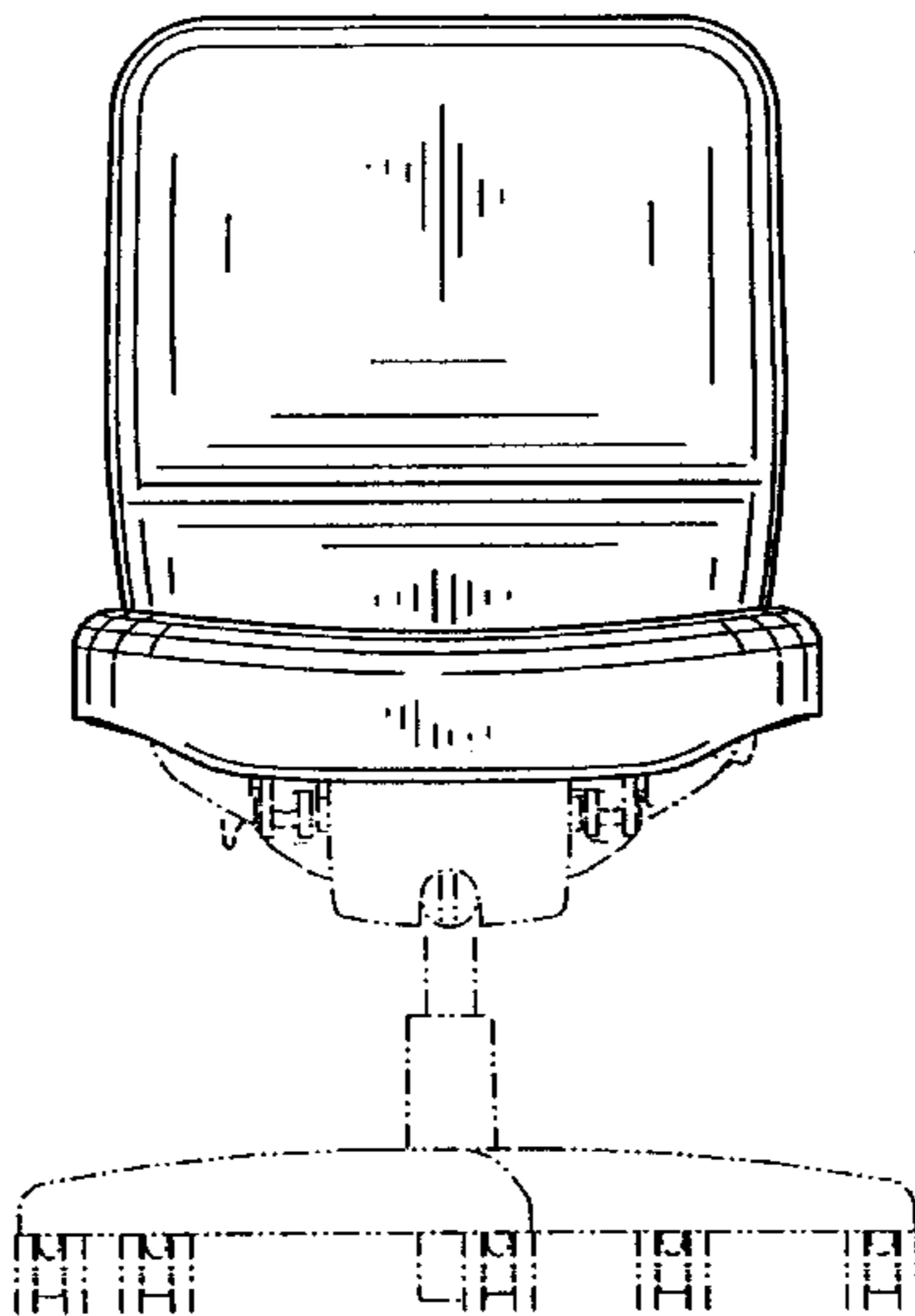


FIG. 1

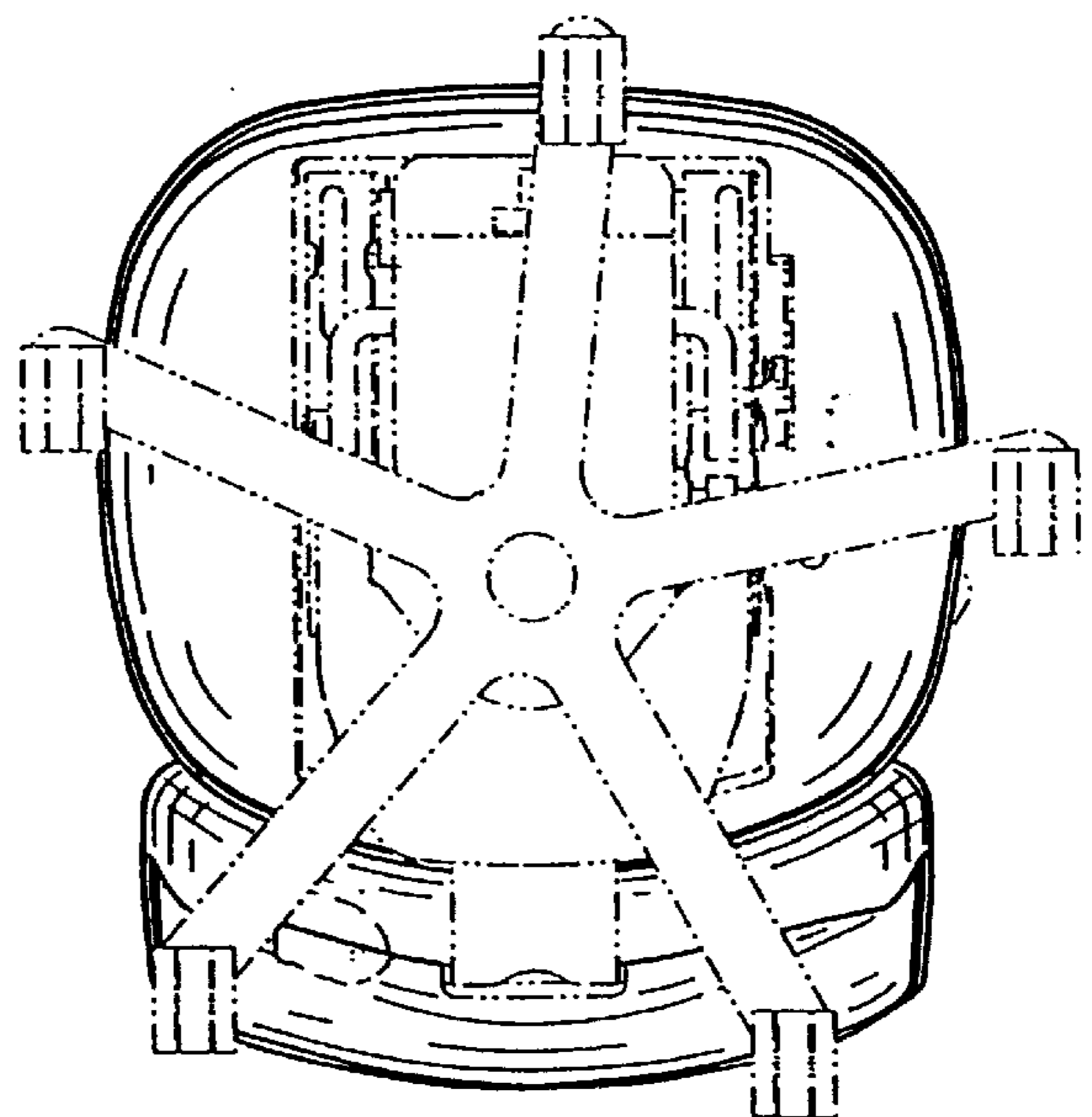
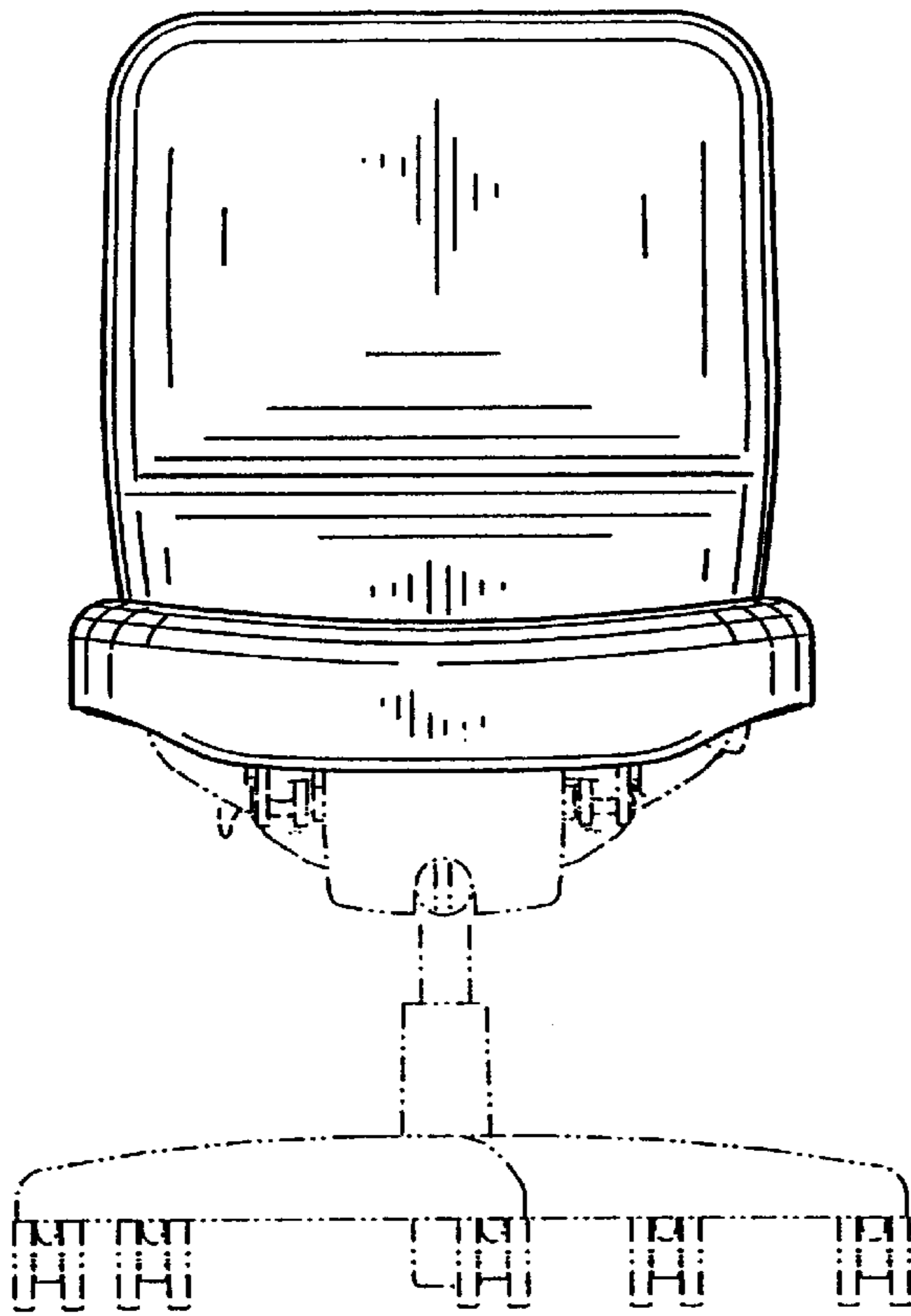


FIG. 4

FIG. 2

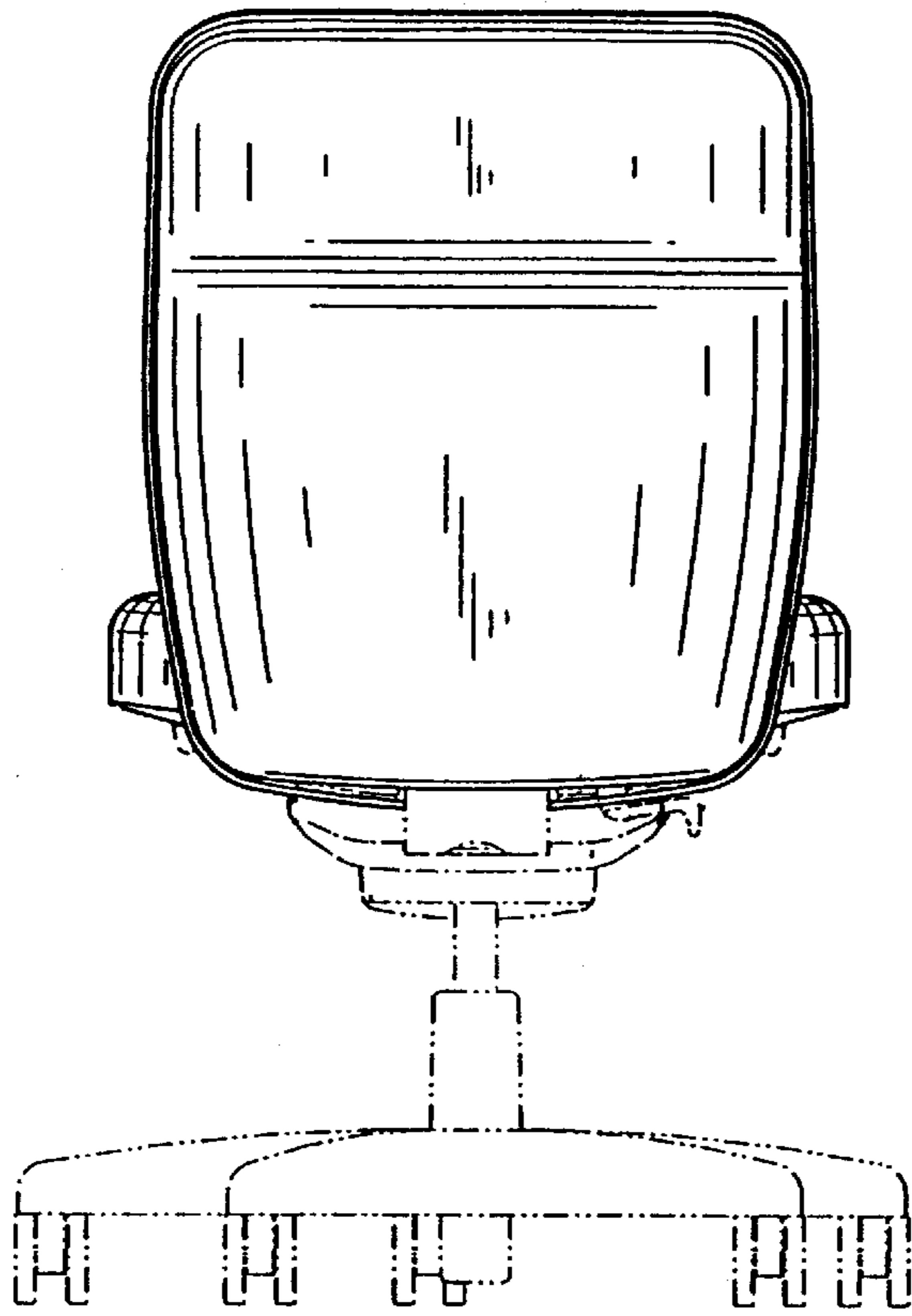


FIG. 3

