



US00D474628S

(12) **United States Design Patent**
Chen

(10) **Patent No.:** **US D474,628 S**

(45) **Date of Patent:** **** May 20, 2003**

(54) **TABLE**

D347,945 S * 6/1994 Walters-Leiter D6/353
D447,892 S * 9/2001 Shih D6/480

(75) Inventor: **Chi-Hsiung Chen**, Tou Liu (TW)

* cited by examiner

(73) Assignee: **Sun Shine Lin Industrial Co., Ltd.**,
Chang Hua Hsien (TW)

Primary Examiner—Janice E. Seeger
(74) *Attorney, Agent, or Firm*—Dellett & Walters

(**) Term: **14 Years**

(57) **CLAIM**

(21) Appl. No.: **29/167,587**

The ornamental design for a table, as shown.

(22) Filed: **Sep. 17, 2002**

DESCRIPTION

(51) **LOC (7) Cl.** **06-03**

(52) **U.S. Cl.** **D6/487**

(58) **Field of Search** D6/480–489, 495,
D6/499, 429–430; 108/124, 153.1, 155,
156, 157.1, 161; 248/188, 188.1, 188.8

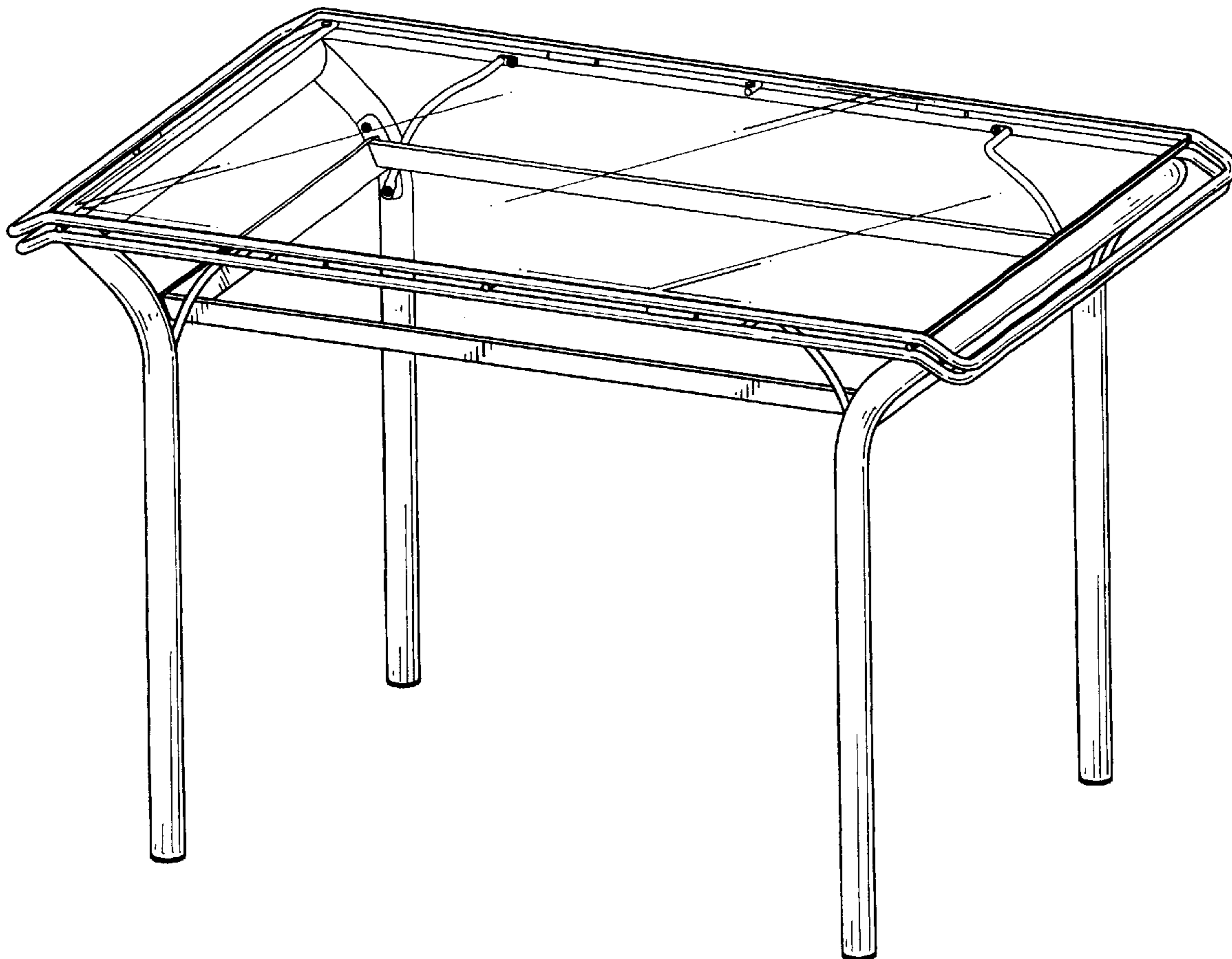
FIG. 1 is a perspective view of a table showing my new design;
FIG. 2 is a front elevational view thereof;
FIG. 3 is a rear elevational view thereof;
FIG. 4 is a left side view thereof;
FIG. 5 is a right side view thereof;
FIG. 6 is a top plain view thereof; and,
FIG. 7 is a bottom plain view thereof.

(56) **References Cited**

U.S. PATENT DOCUMENTS

D291,516 S * 8/1987 Strousse et al. D6/499
D332,362 S * 1/1993 Lewis D6/480

1 Claim, 4 Drawing Sheets



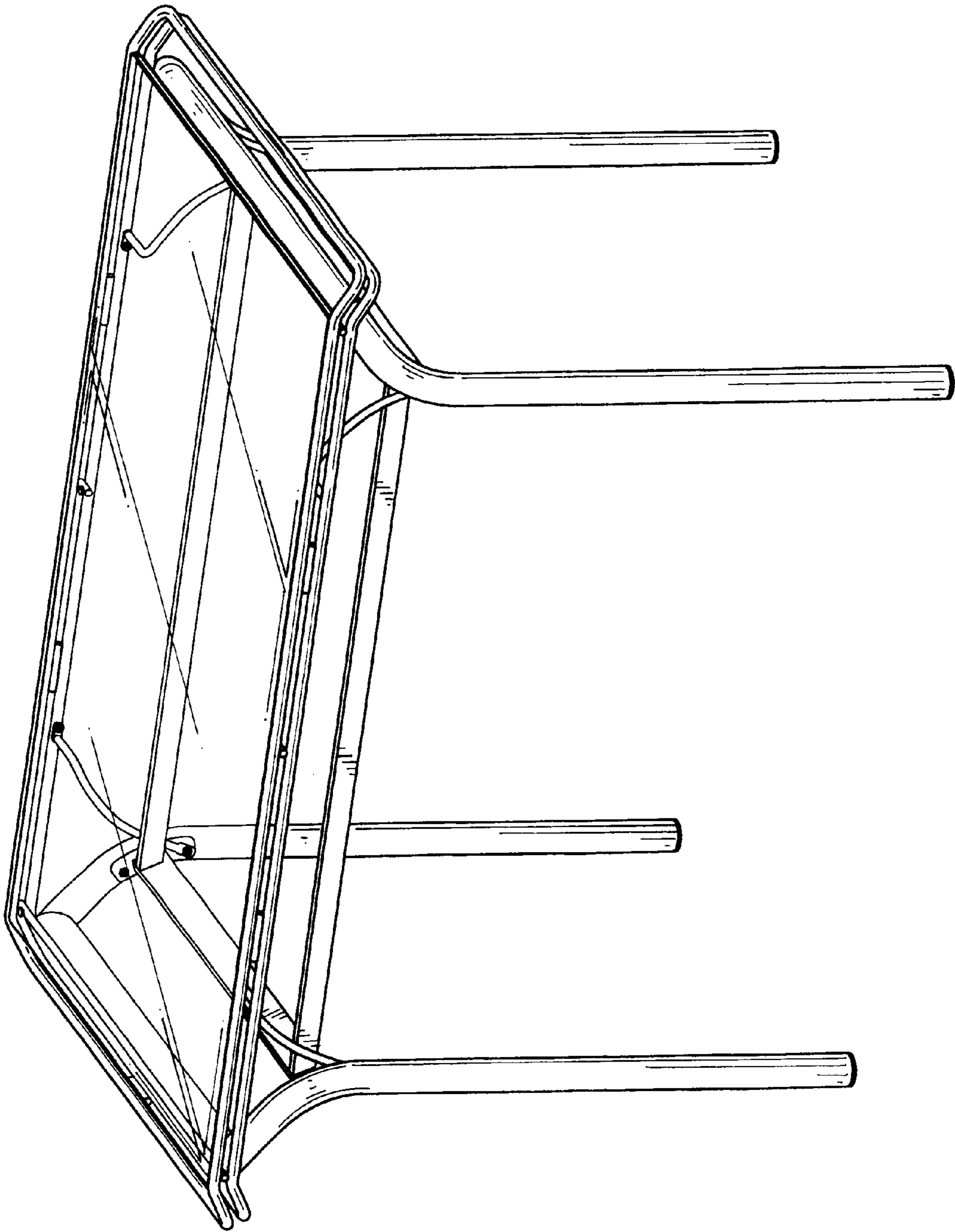


FIG. 1

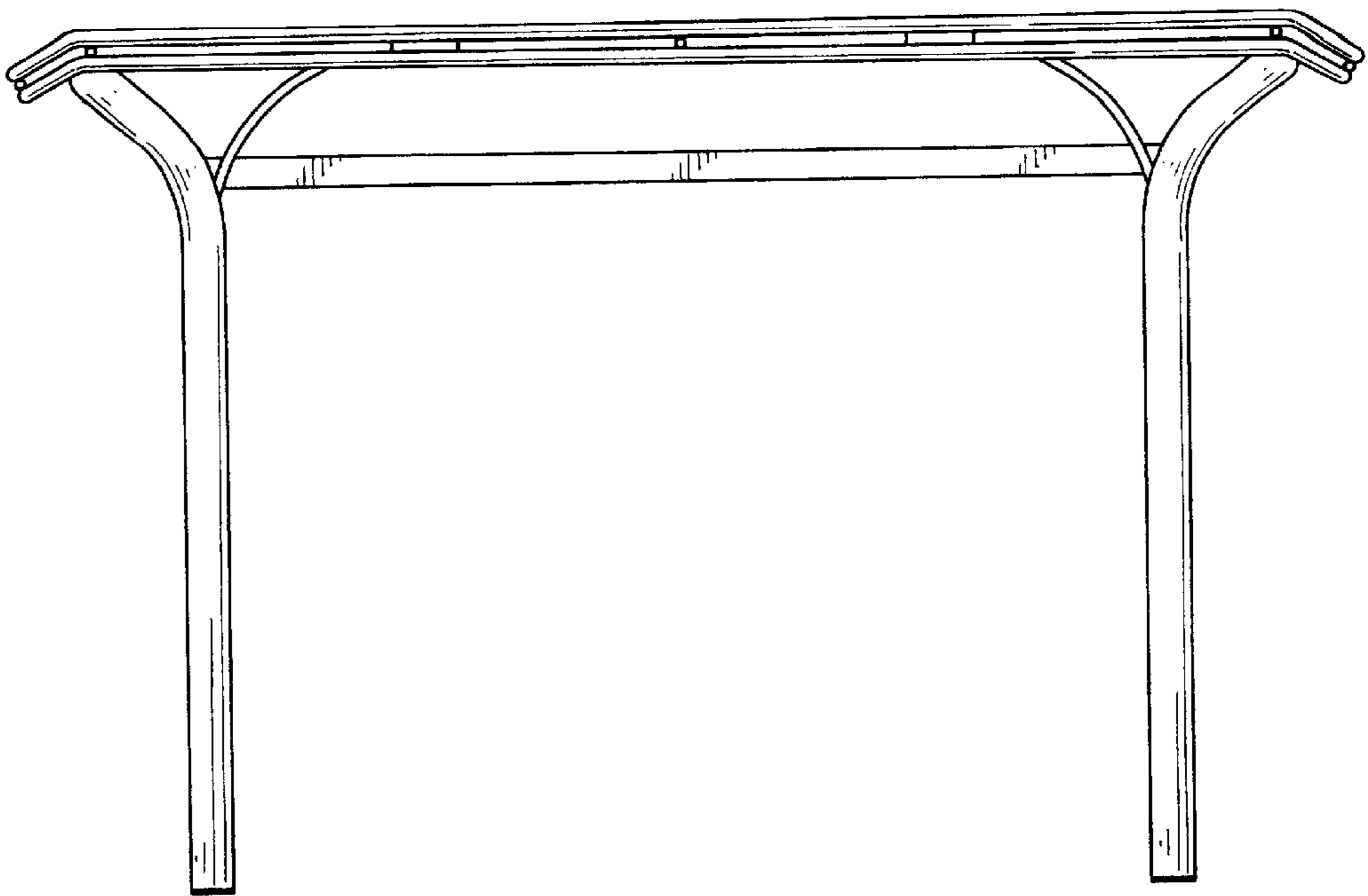


FIG. 2

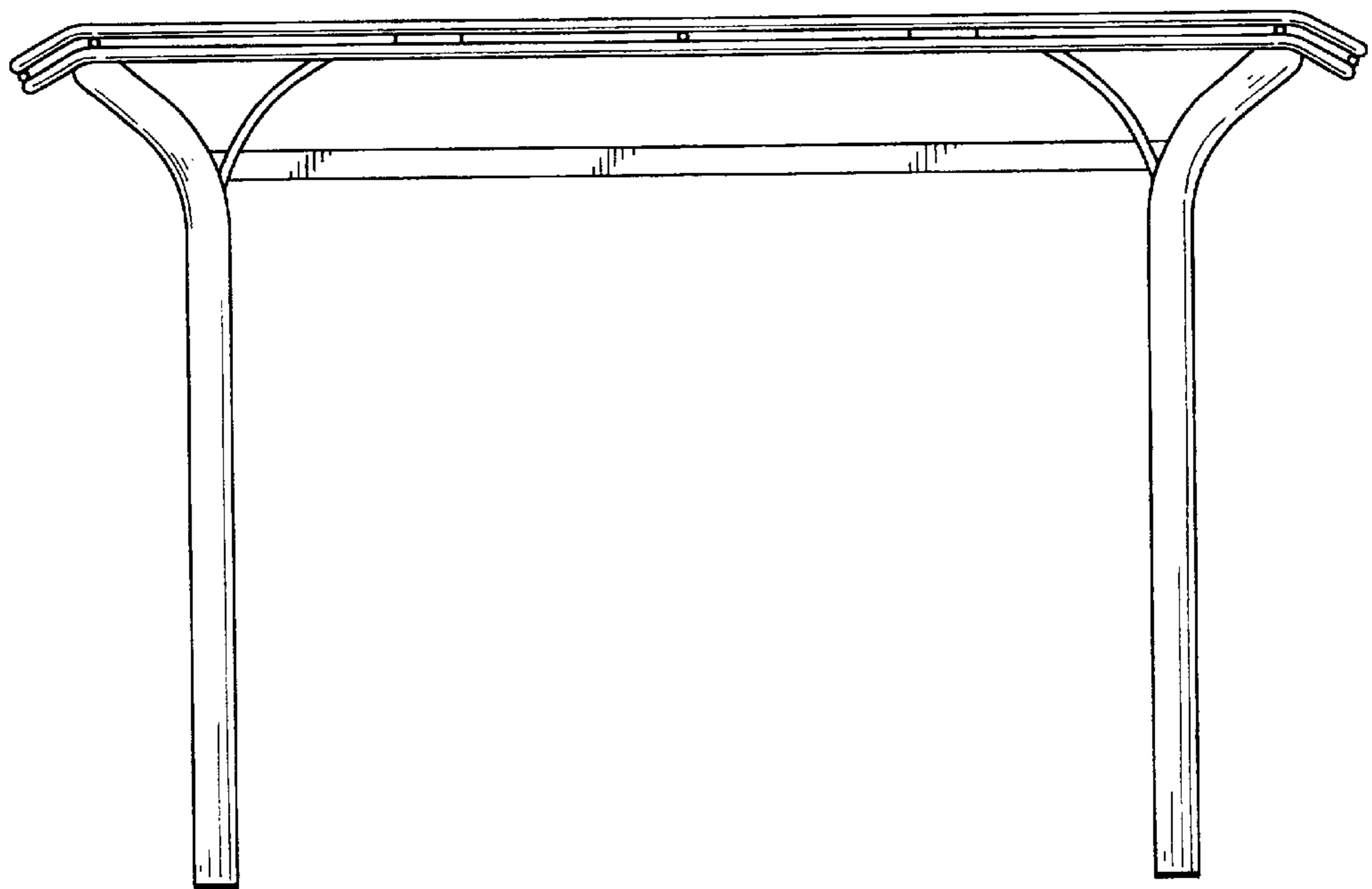


FIG. 3

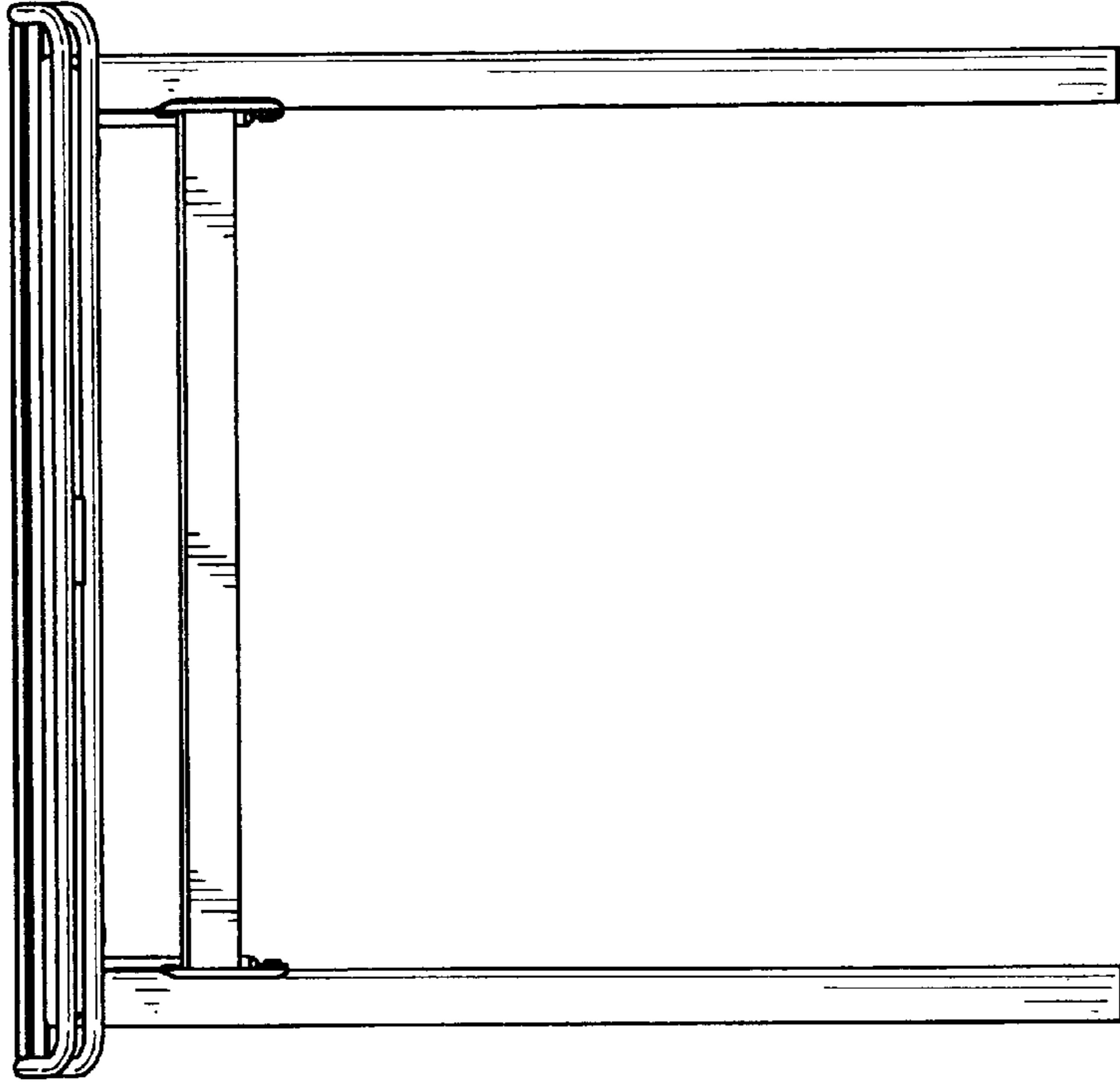


FIG. 5

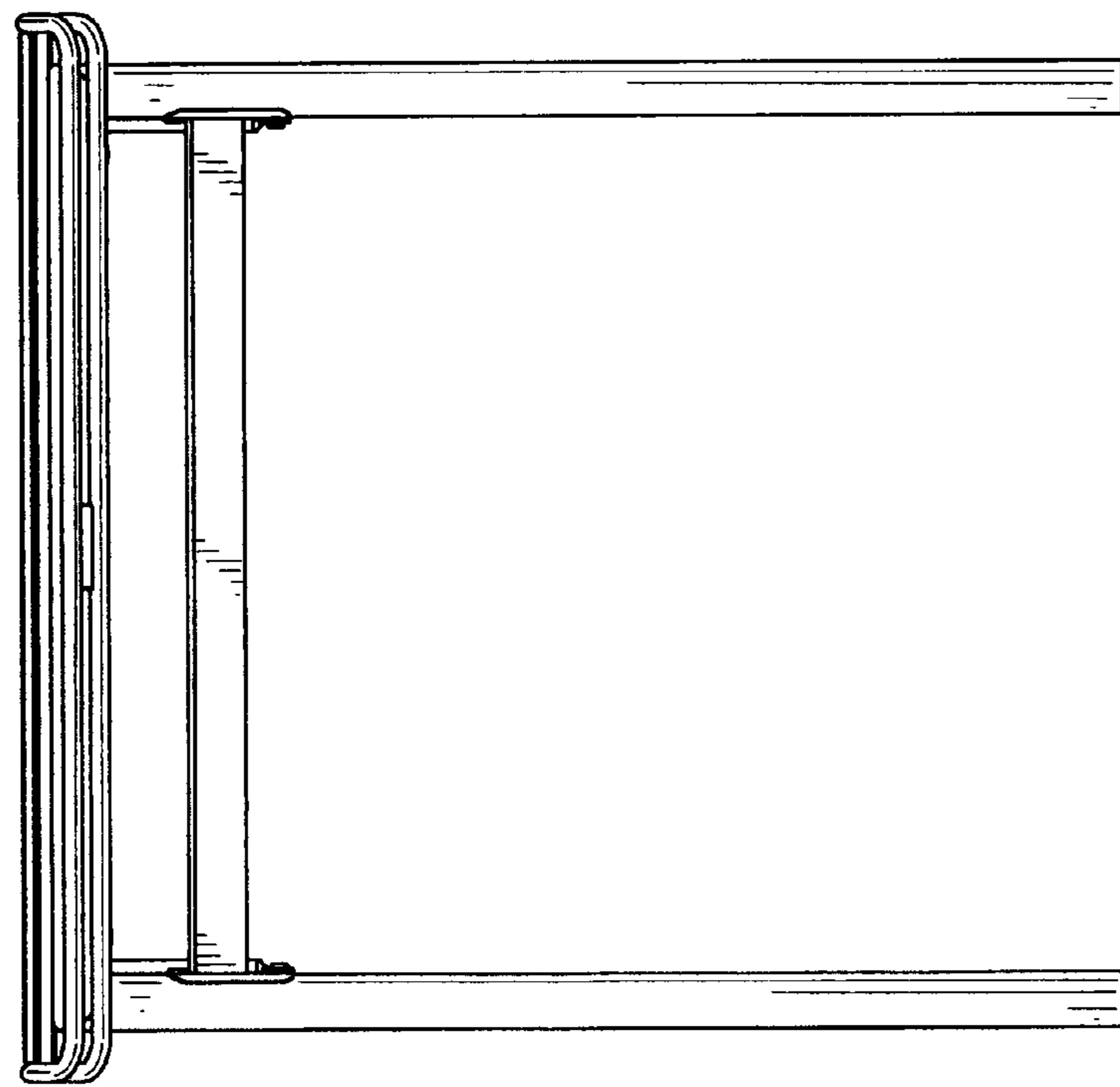


FIG. 4

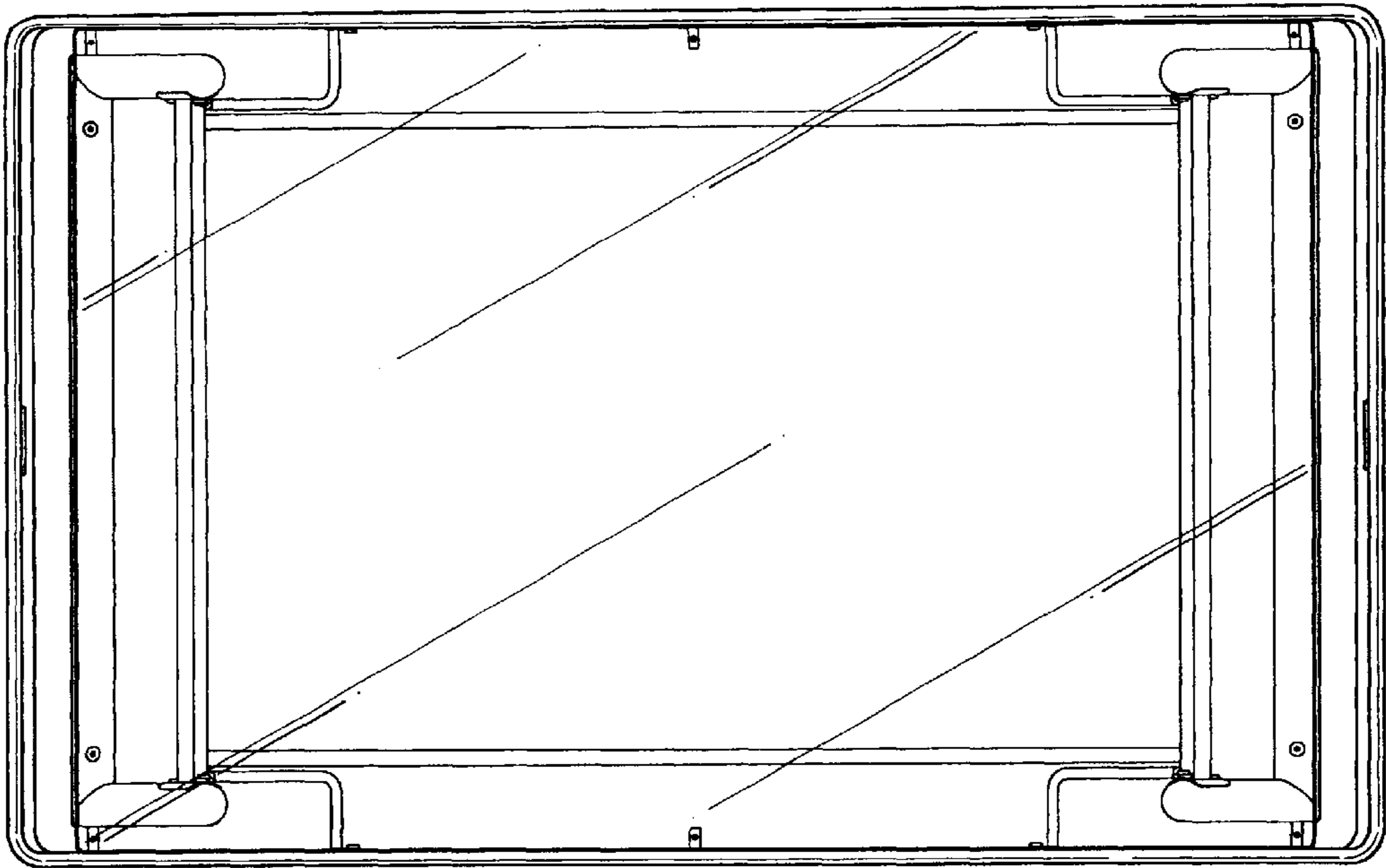


FIG. 6

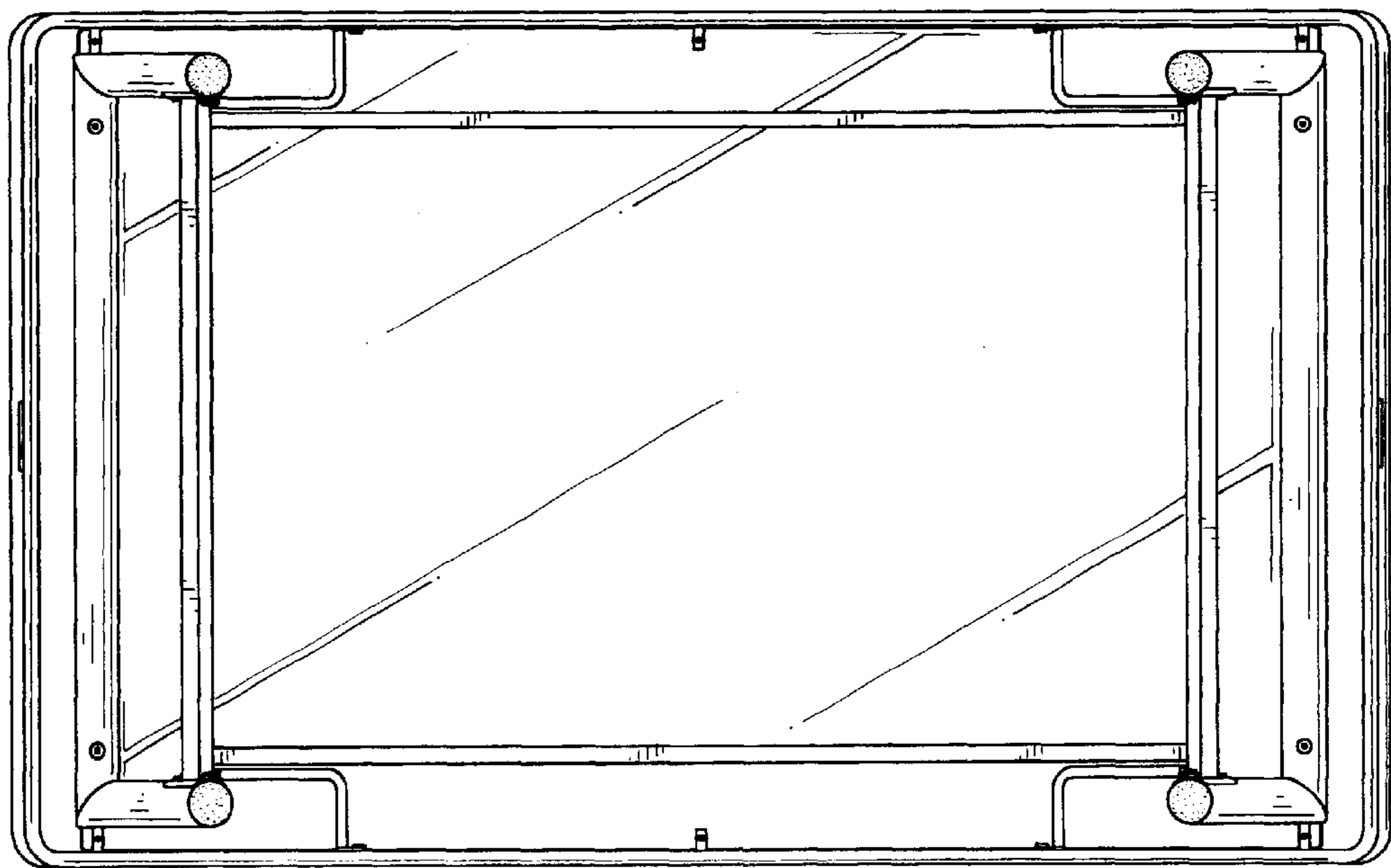


FIG. 7