



US00D474627S

(12) **United States Design Patent**
Wicha

(10) **Patent No.:** **US D474,627 S**

(45) **Date of Patent:** **** May 20, 2003**

(54) **AUDIO/VIDEO STORAGE UNIT WITH CURVED FACE AND WIDE FOOTPRINT**

(75) **Inventor:** **Cristian Rudolf Wicha**, Falls Church, VA (US)

(73) **Assignee:** **Becker Designed, Inc.**, Chantilly, VA (US)

(**) **Term:** **14 Years**

(21) **Appl. No.:** **29/167,002**

(22) **Filed:** **Sep. 9, 2002**

(51) **LOC (7) Cl.** **06-04**

(52) **U.S. Cl.** **D6/477; D6/479**

(58) **Field of Search** D6/396, 397, 630, D6/410, 411, 436, 437, 438, 476-479, 569, 570, 571; 108/28, 59-61, 91-93, 149, 157.1, 158.11, 180; 211/10, 11, 34, 36, 37, 90.04, 134, 153, 175, 186, 188; 312/7.2, 9.48, 196, 278-281

(56) **References Cited**

U.S. PATENT DOCUMENTS

D325,137 S	4/1992	Porter
D333,749 S	3/1993	Leonard
D335,051 S	4/1993	Ossip
D367,782 S	3/1996	Kazama
D371,259 S	7/1996	Herbst
5,584,595 A	* 12/1996	Gantitano et al. 403/24
D378,175 S	2/1997	Hamami
D381,842 S	8/1997	Herbst
D401,084 S	11/1998	Martin
D405,630 S	2/1999	Wolford

D427,459 S	7/2000	Druebbish
D436,466 S	1/2001	Luong
D441,217 S	* 5/2001	Pepin et al. D6/436
D450,489 S	11/2001	Wong
D454,731 S	3/2002	Niitsu
D459,118 S	* 6/2002	Antonioni D6/477
D467,099 S	* 12/2002	Antonioni D6/479

* cited by examiner

Primary Examiner—Cathron C. Brooks

(57) **CLAIM**

The ornamental design for an audio/video storage unit with curved face and wide footprint, as shown and described.

DESCRIPTION

FIG. 1 is a perspective view of an audio/video storage unit with curved face and wide footprint showing my new design.

FIG. 2 is a front elevational view thereof;

FIG. 3 is a rear elevational view thereof;

FIG. 4 is a right side view thereof, the left side view being a mirror image;

FIG. 5 is a top view thereof;

FIG. 6 is a bottom view thereof;

FIG. 7 is a perspective view of a second embodiment of my new design;

FIG. 8 is a front elevational view thereof;

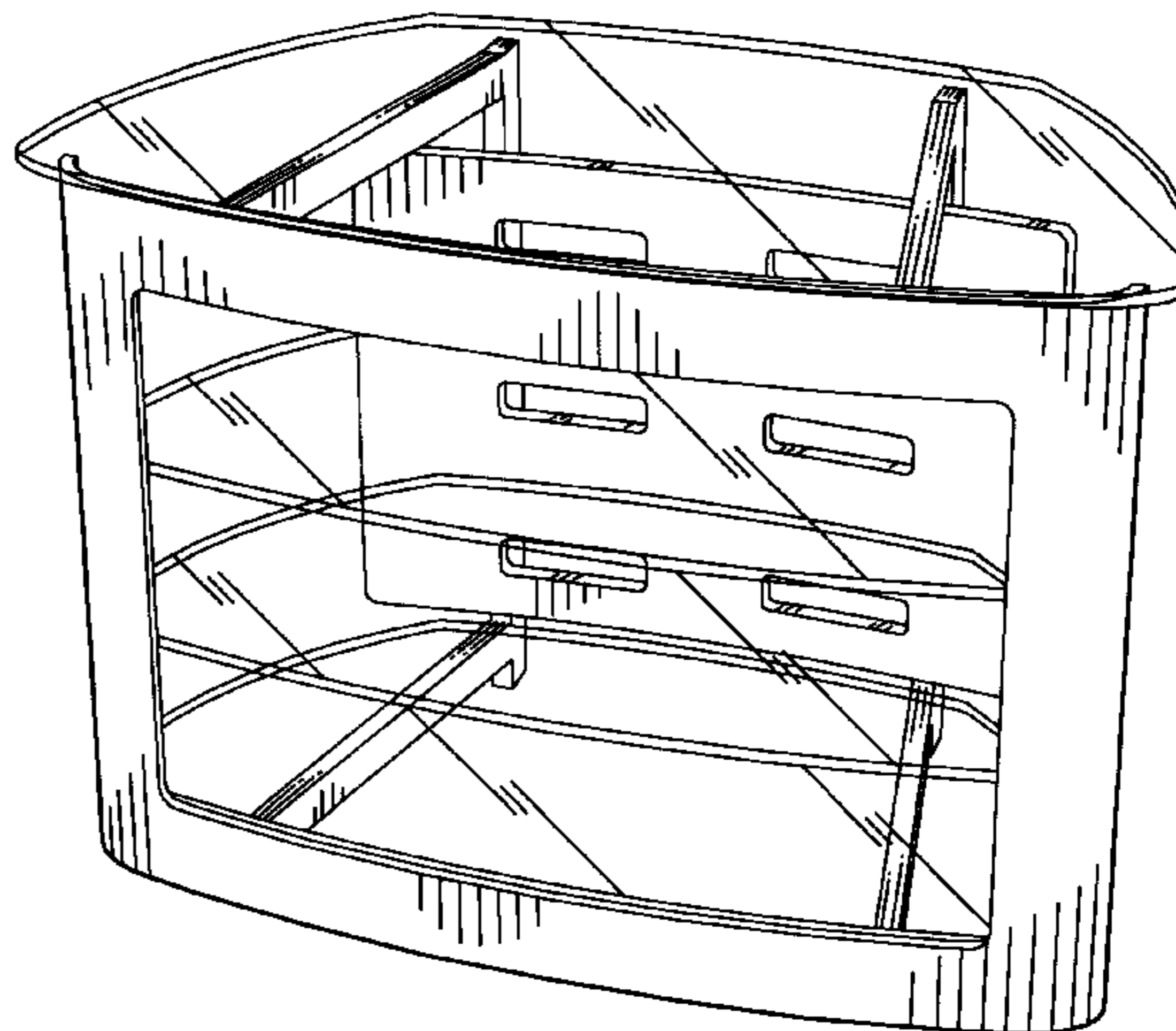
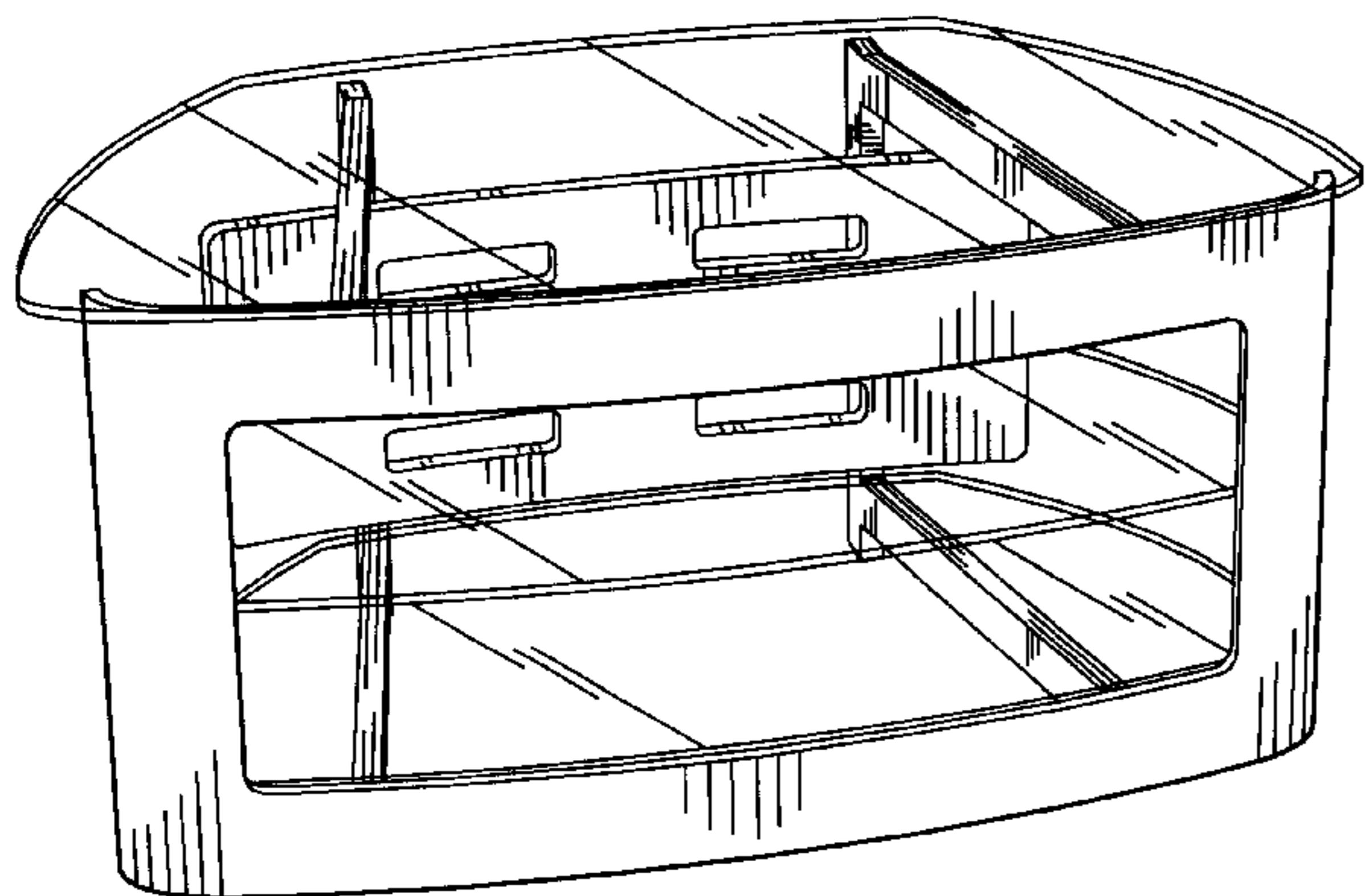
FIG. 9 is a rear elevational view thereof;

FIG. 10 is a right side view thereof, the left side view being a mirror image;

FIG. 11 is a top view thereof; and,

FIG. 12 is a bottom view thereof.

1 Claim, 10 Drawing Sheets



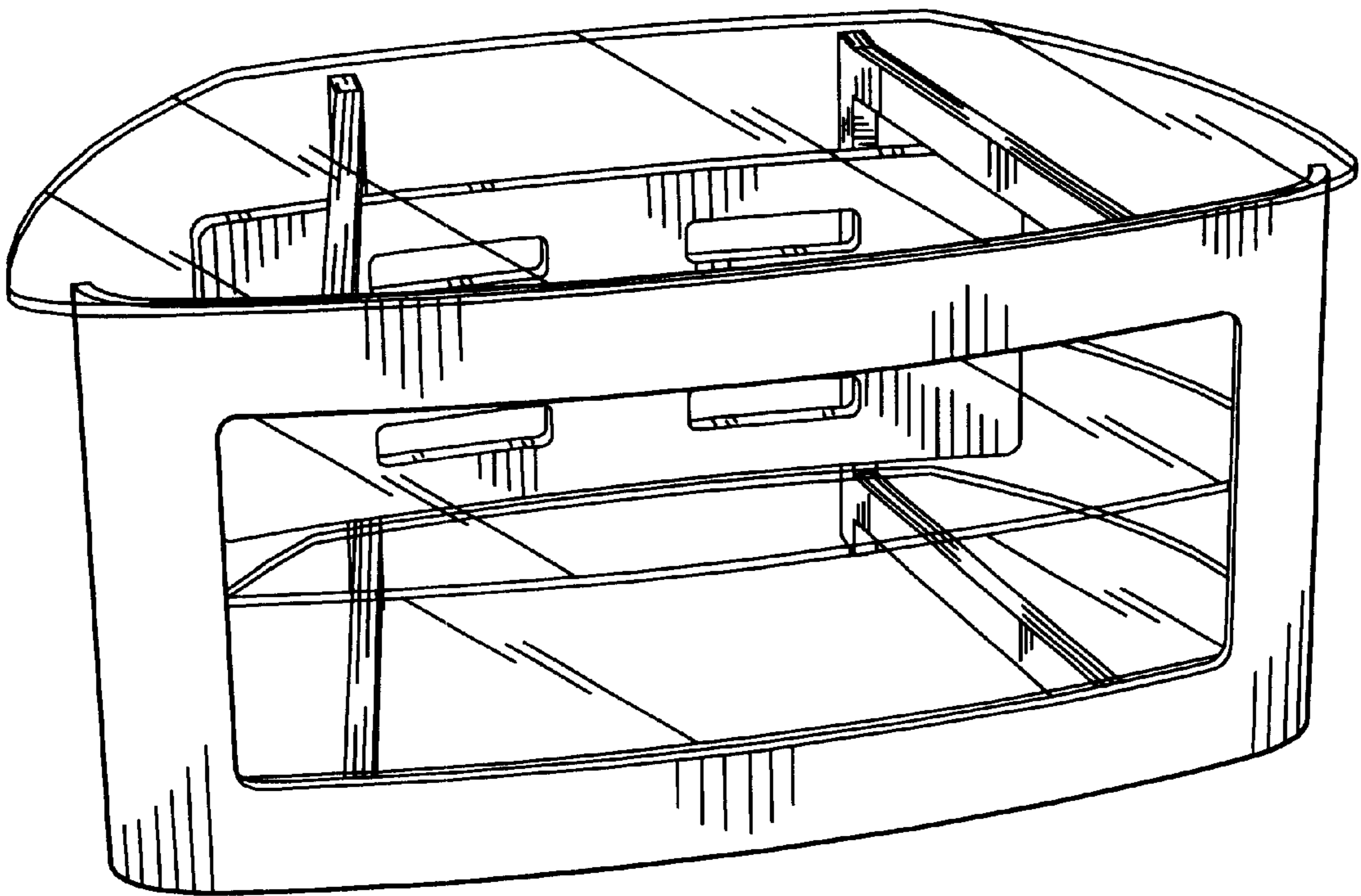


Fig. 1

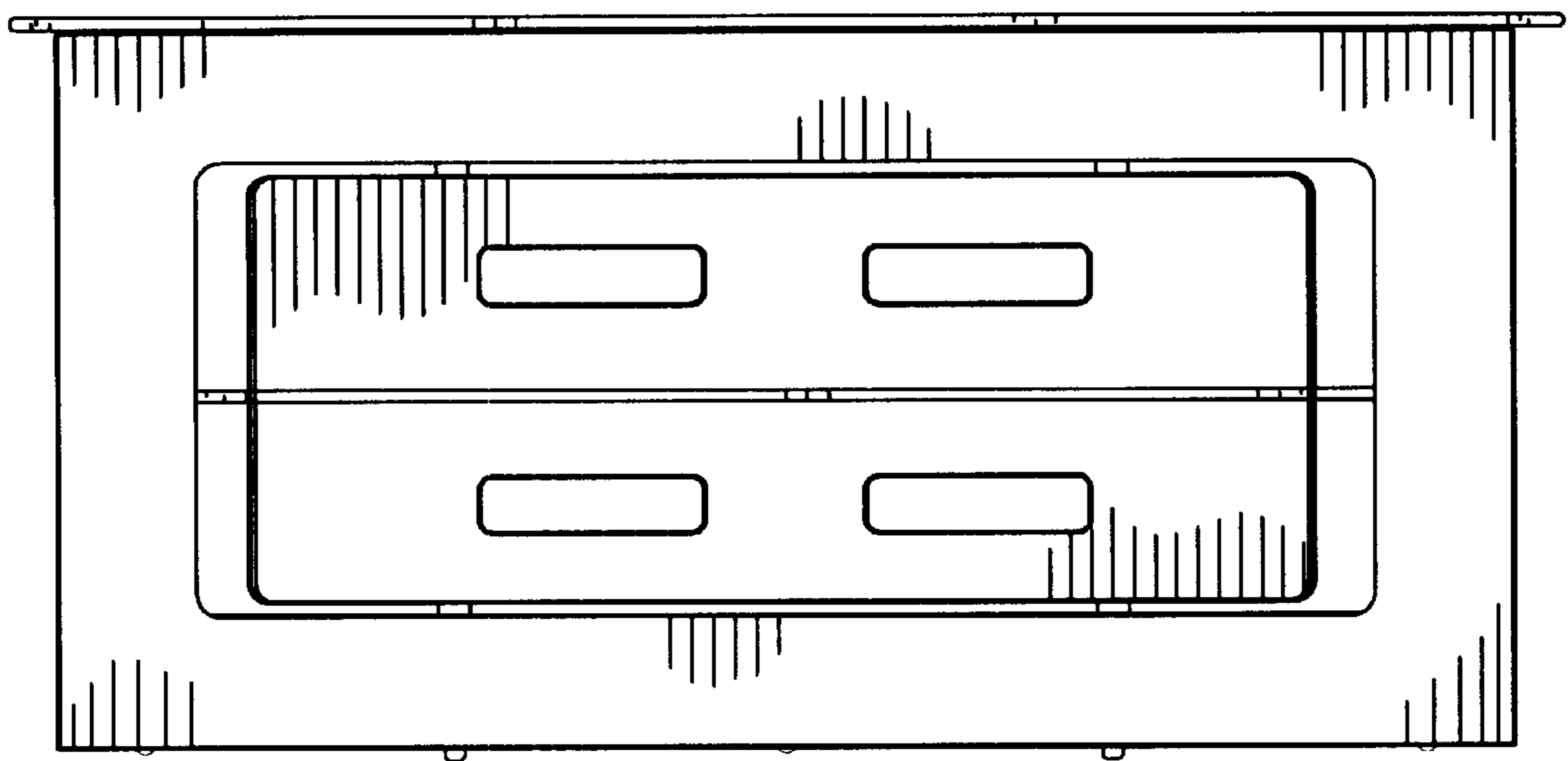


Fig. 2

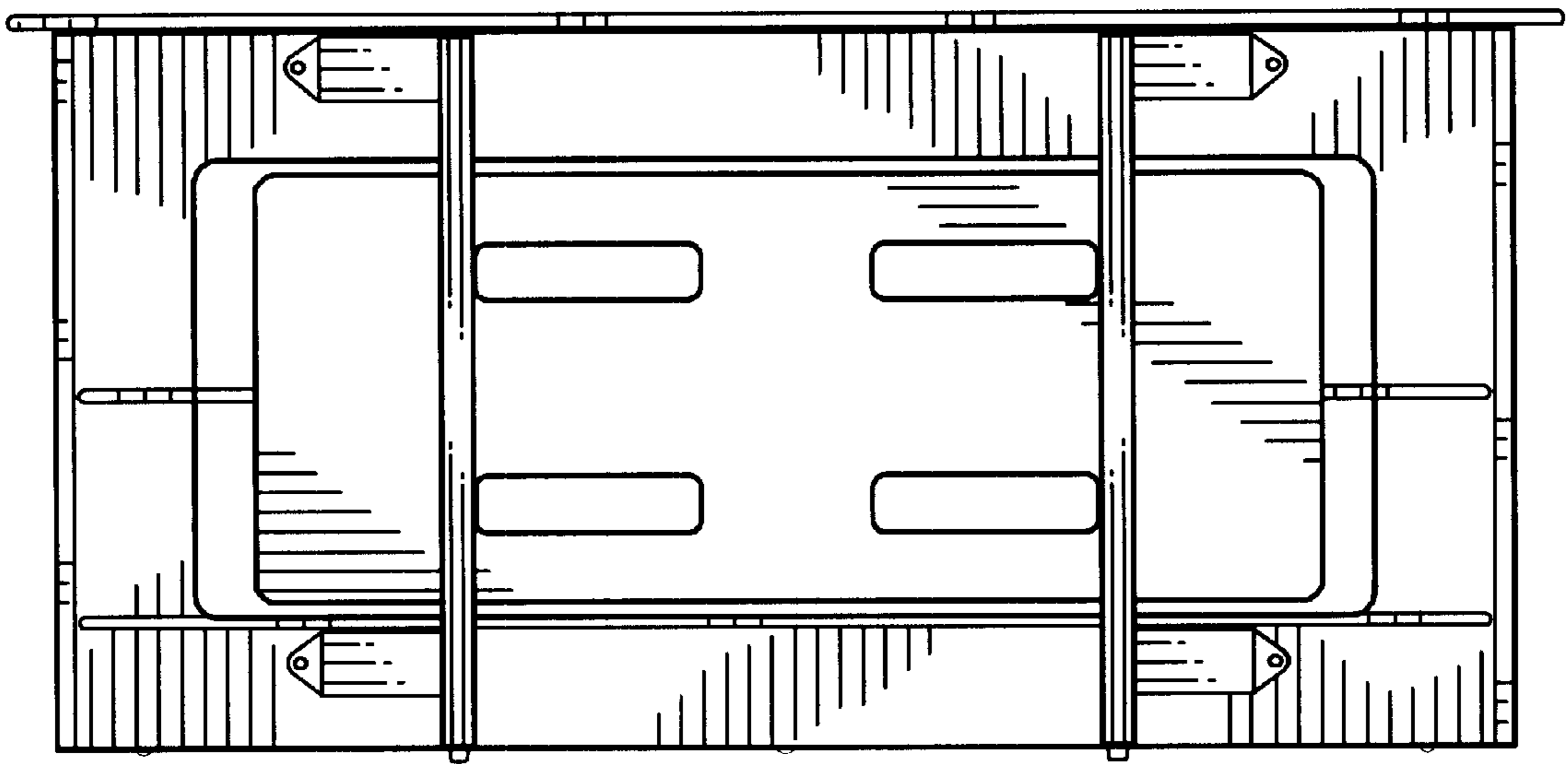


Fig. 3

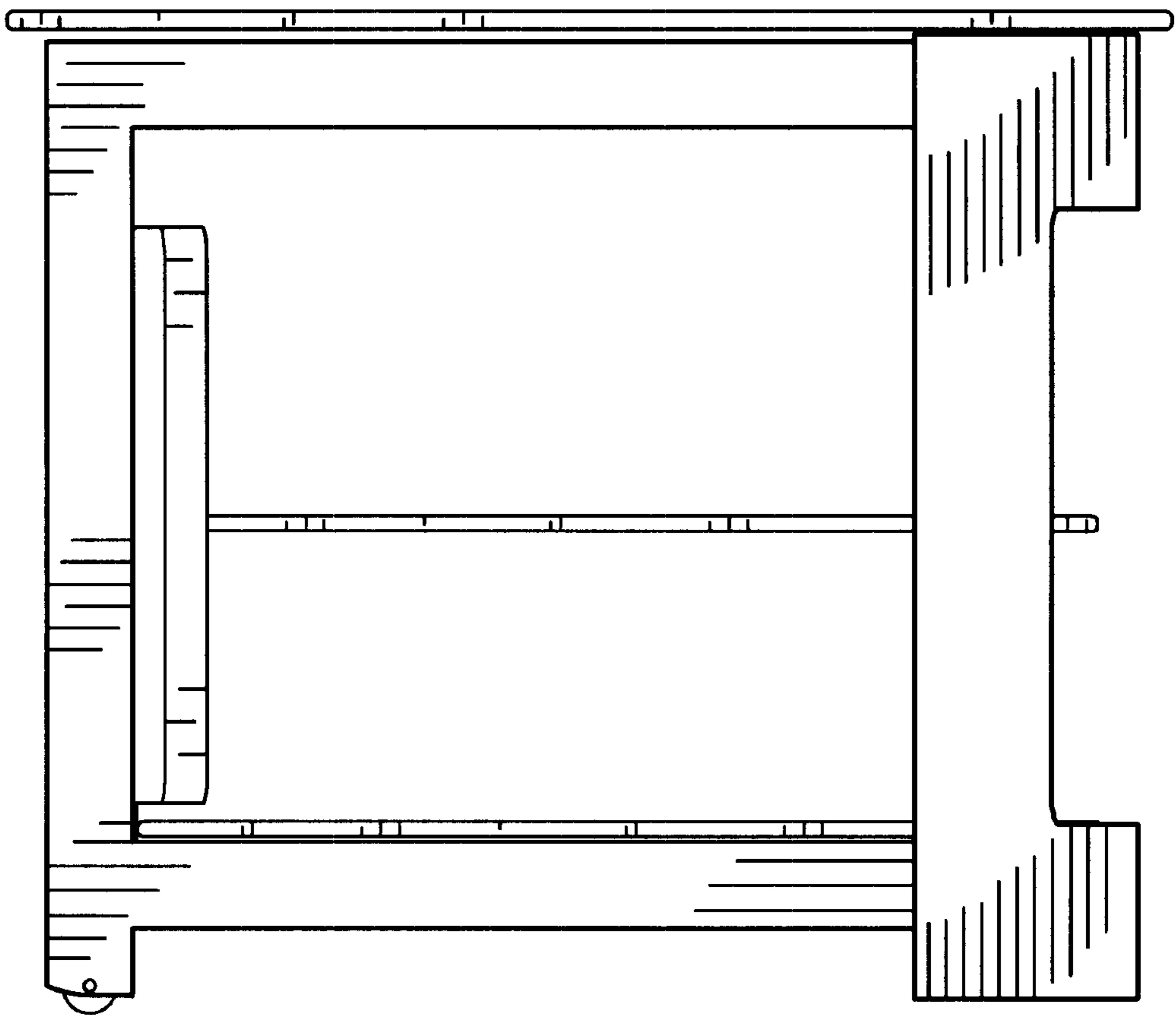


Fig. 4

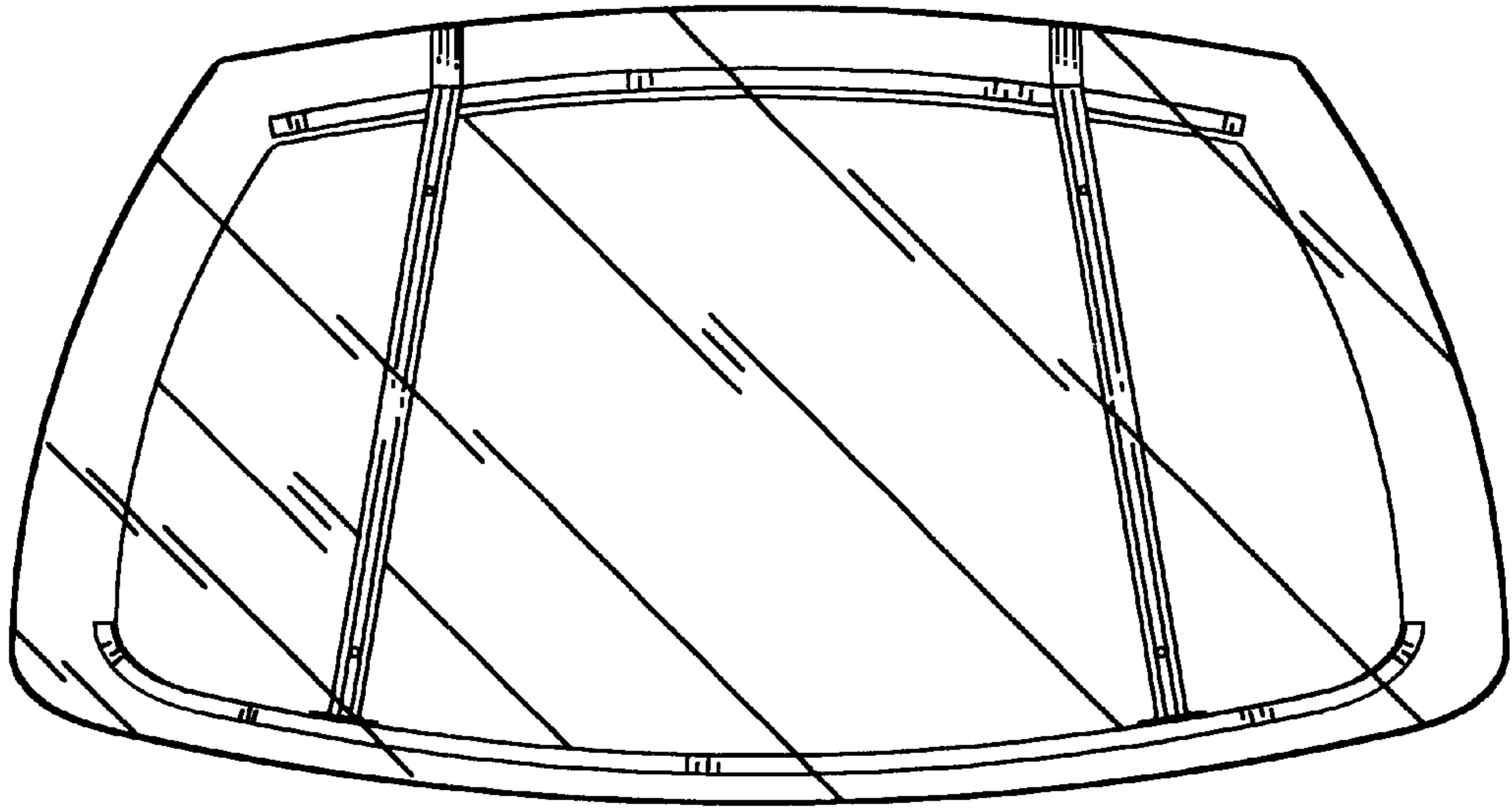


Fig. 5

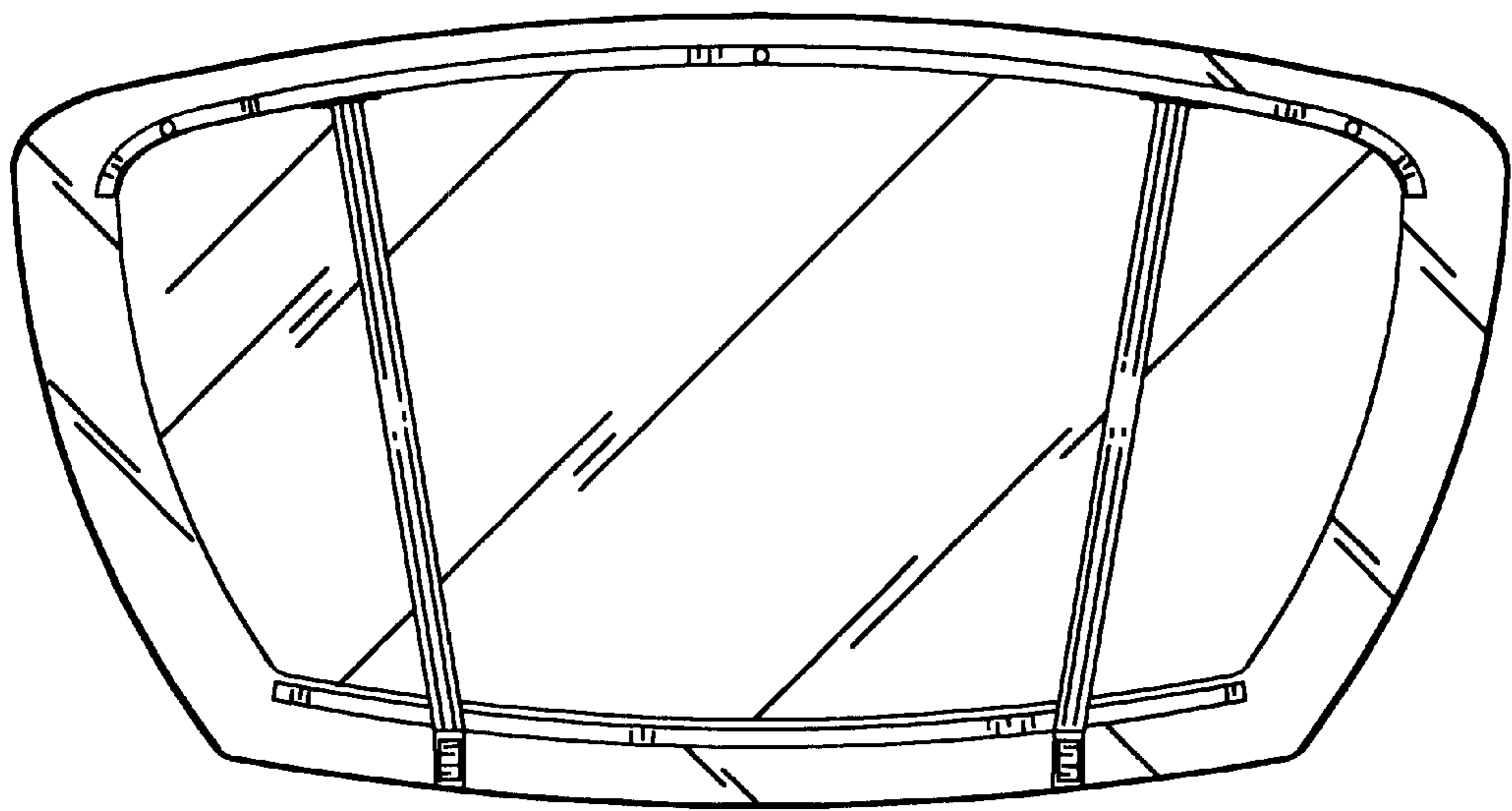


Fig. 6

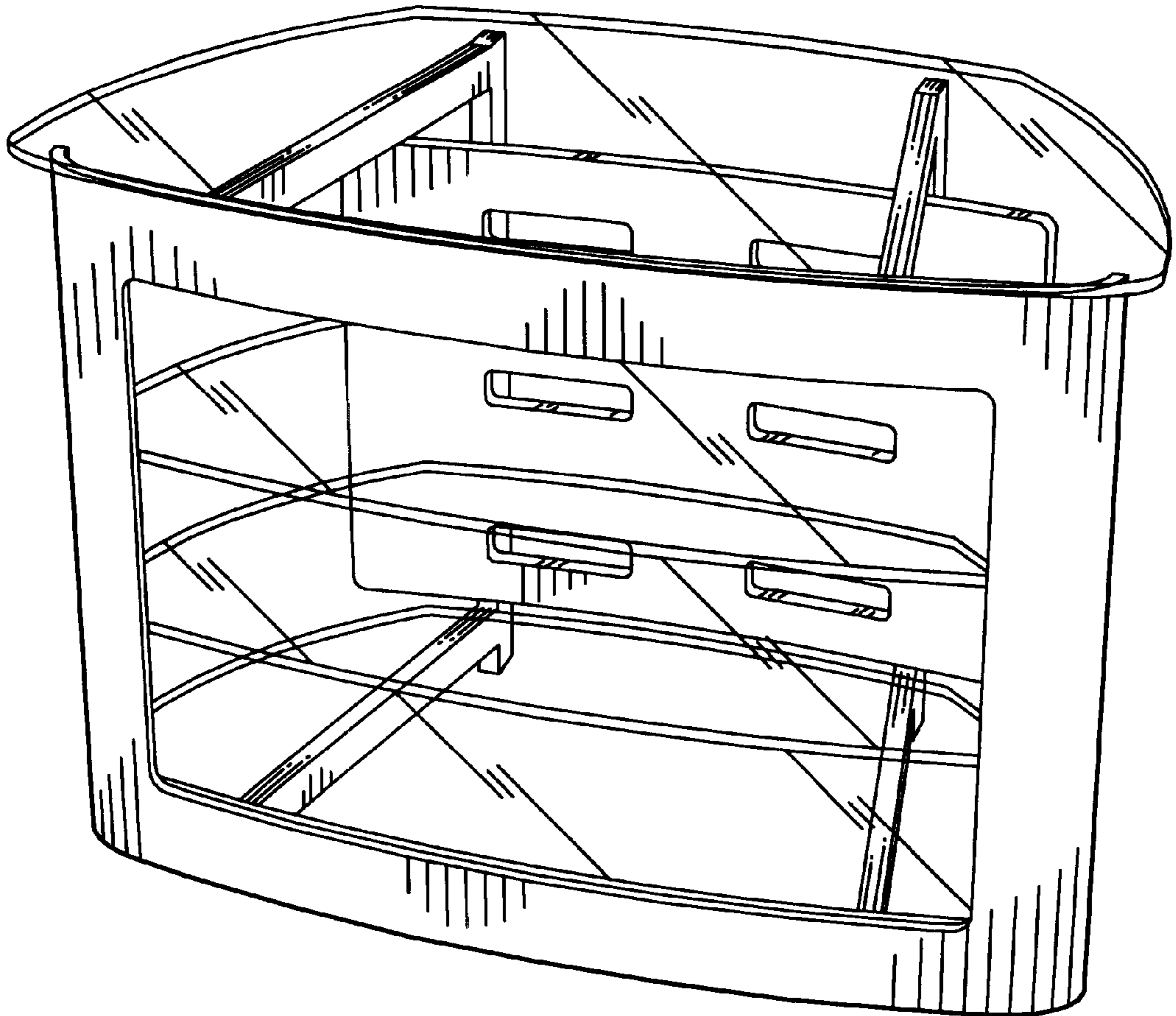


Fig. 7

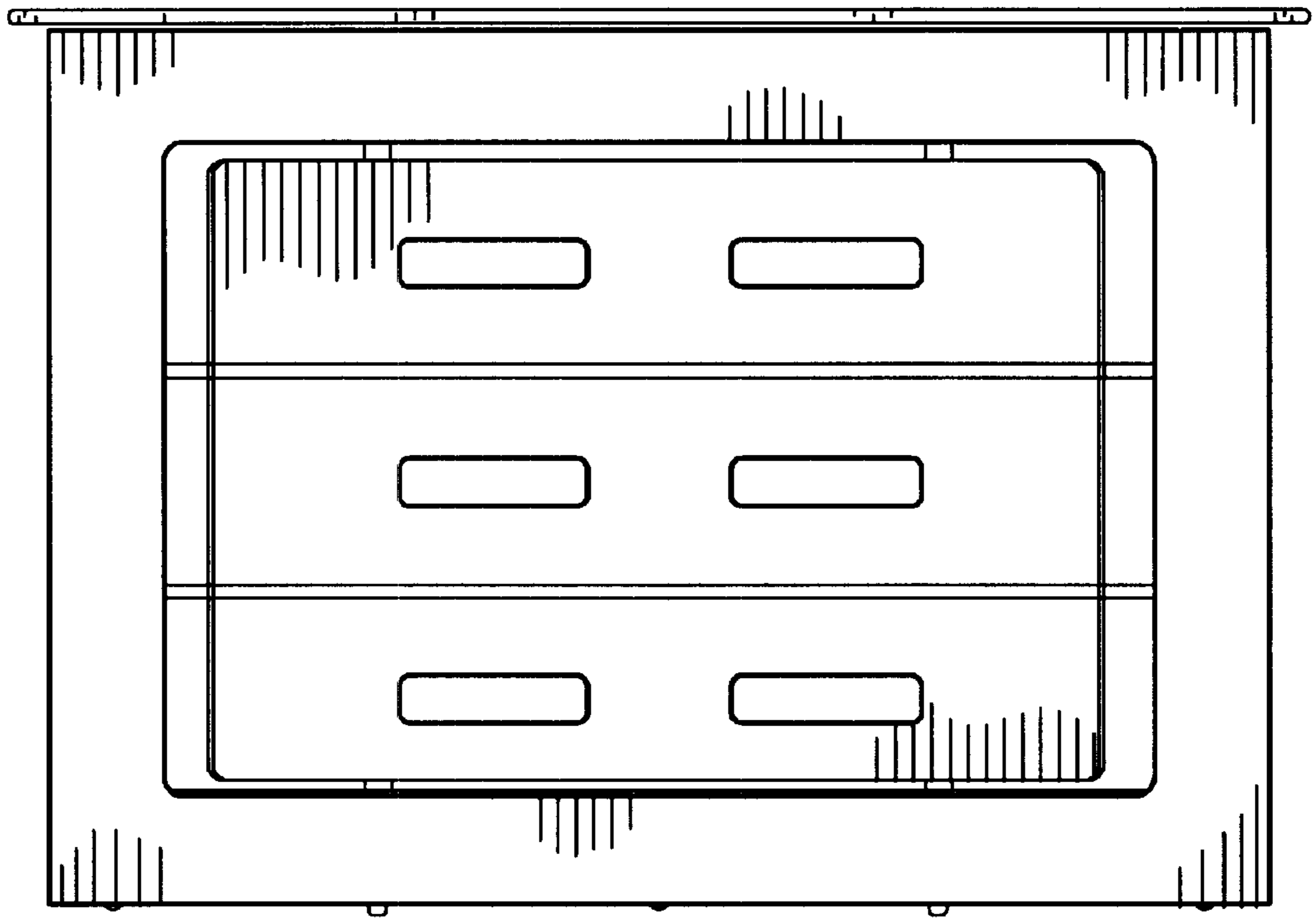


Fig. 8

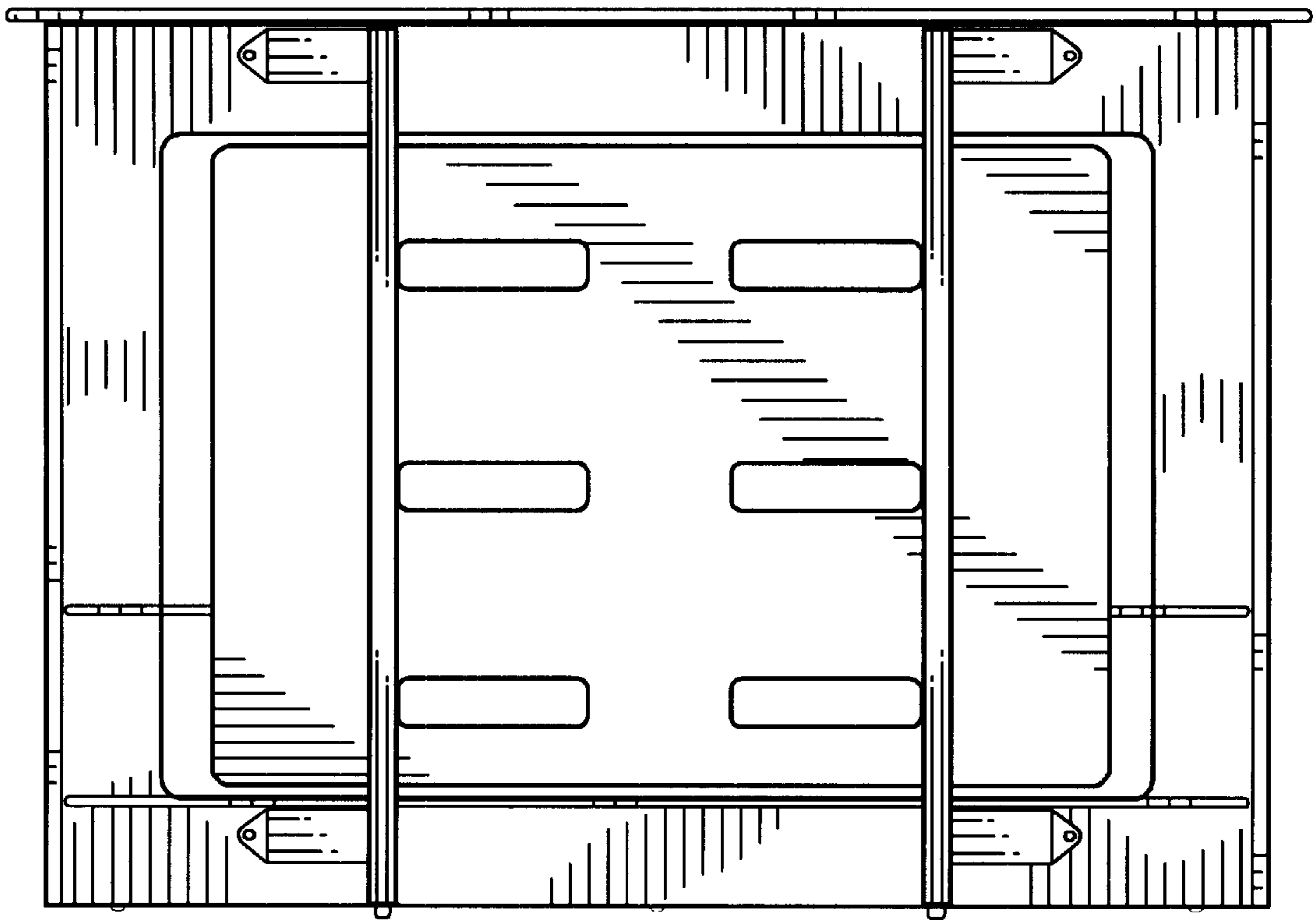


Fig. 9

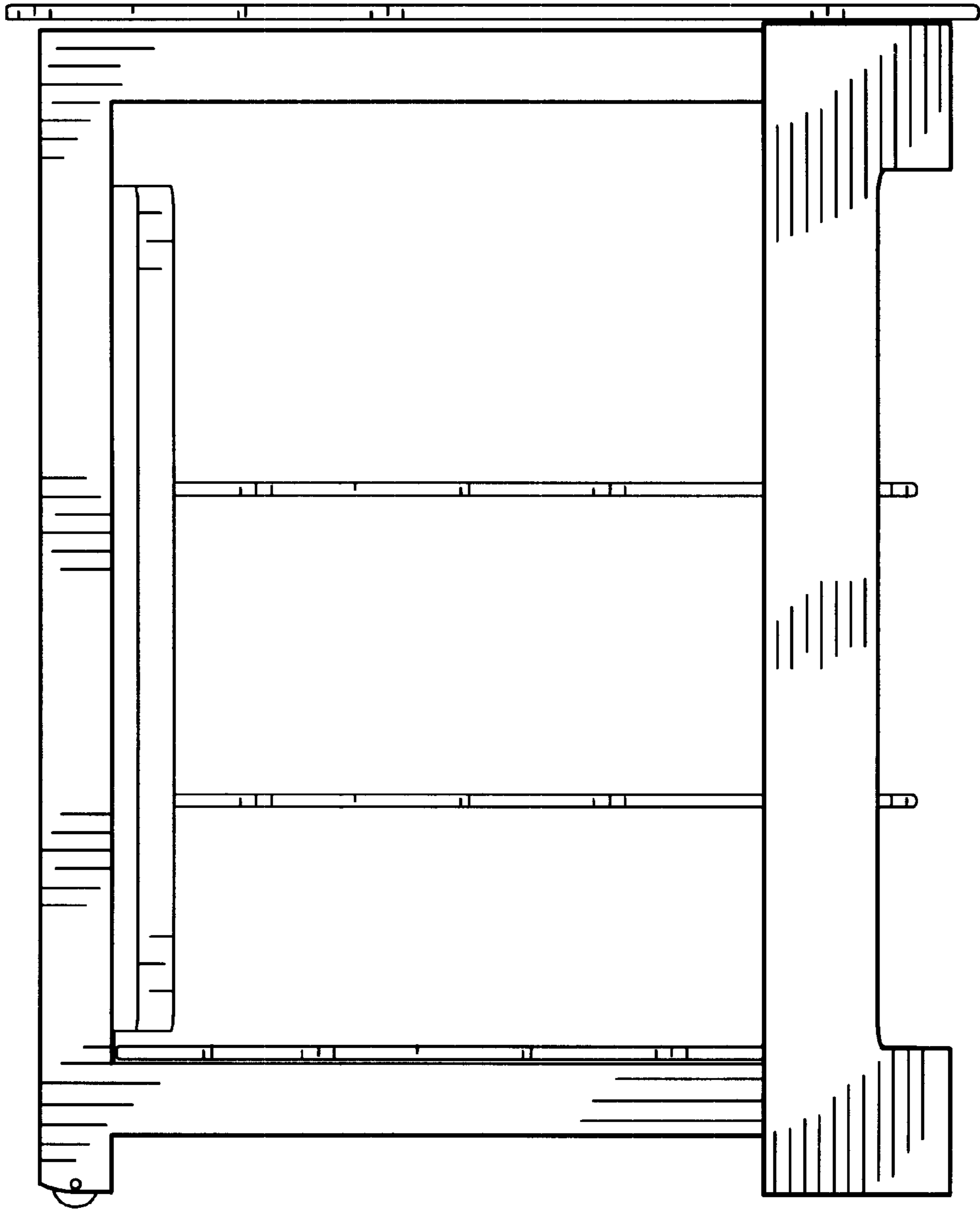


Fig. 10

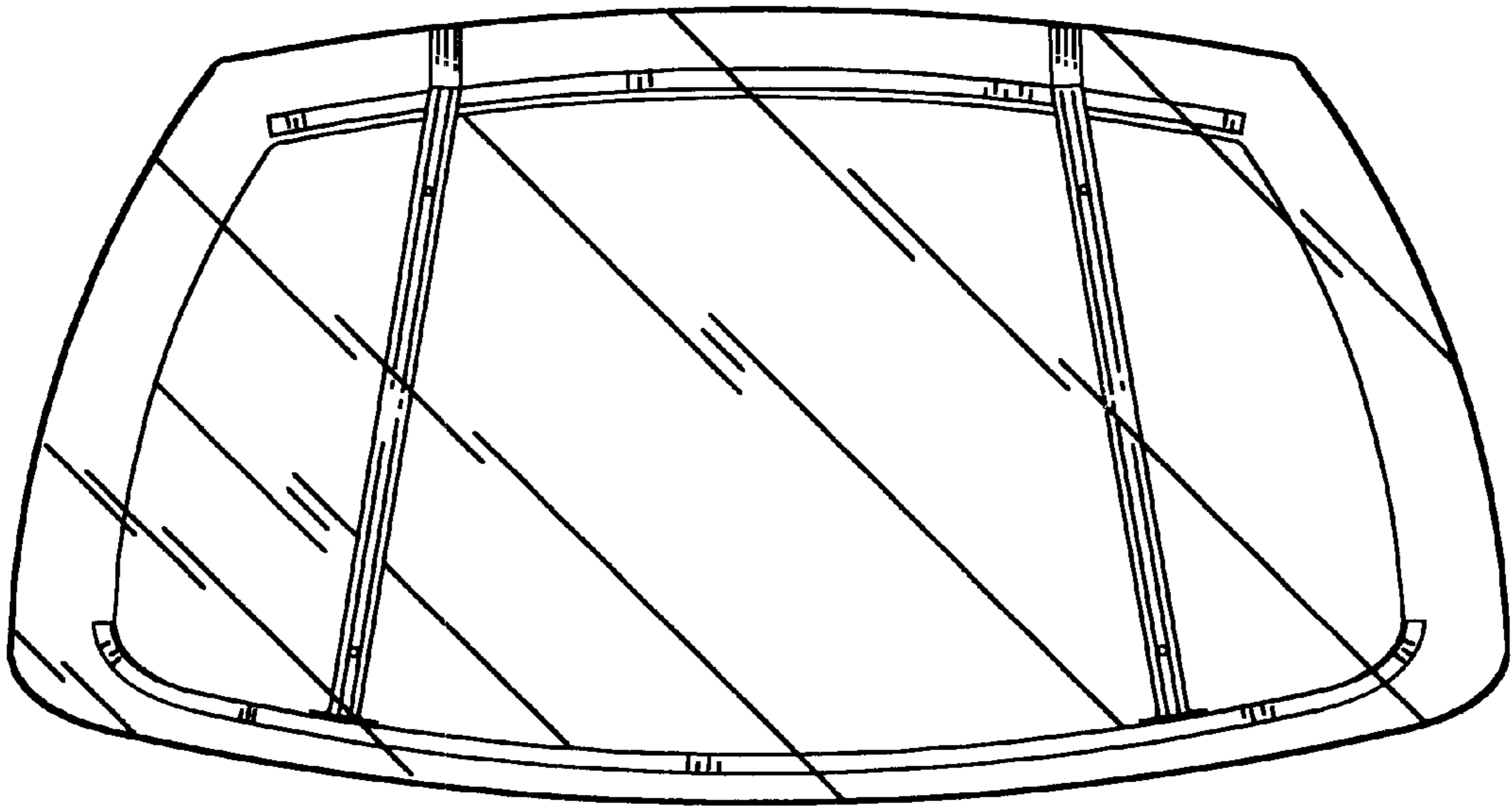


Fig. 11

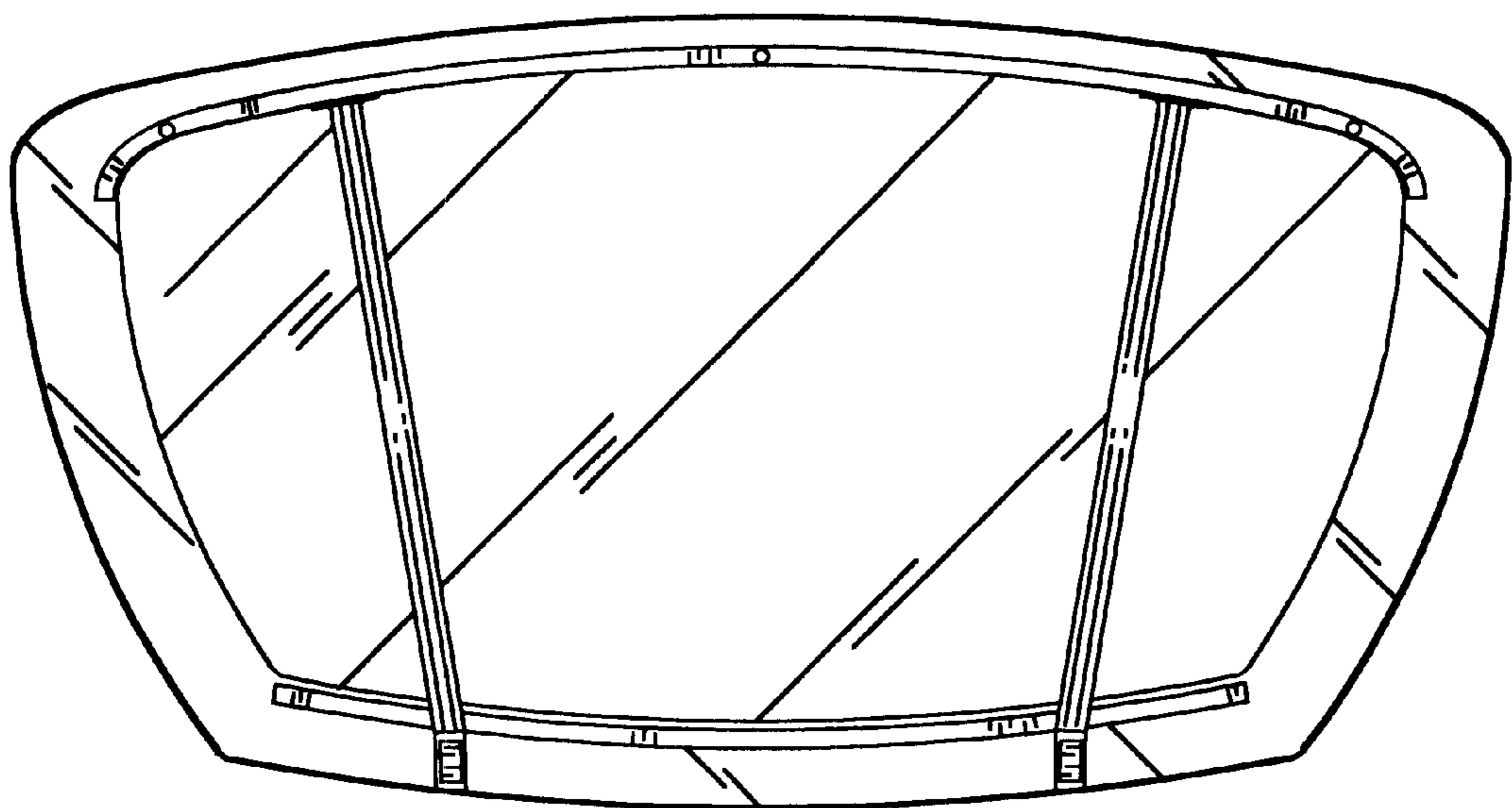


Fig. 12