



US00D474625S

(12) **United States Design Patent**
Chen

(10) **Patent No.:** **US D474,625 S**

(45) **Date of Patent:** **** May 20, 2003**

(54) **STORAGE CABINET WITH DOOR**

(75) Inventor: **Shun-Teng Chen**, Taichung (TW)

(73) Assignee: **Grandway U.S.A. Corp.**, Salt Lake City, UT (US)

(**) Term: **14 Years**

(21) Appl. No.: **29/142,427**

(22) Filed: **May 25, 2001**

(51) **LOC (7) Cl.** **06-04**

(52) **U.S. Cl.** **D6/432**

(58) **Field of Search** D6/396, 397, 432,
D6/436, 441, 443, 446, 448, 510, 511;
312/194, 138.1, 204, 213, 348.4

(56) **References Cited**

U.S. PATENT DOCUMENTS

D126,985 S	*	5/1941	Miller	D6/441
D286,122 S	*	10/1986	Golias	D6/559
D388,976 S	*	1/1998	Markson	D6/432
D410,230 S	*	5/1999	Witte	D6/432 X
D410,351 S	*	6/1999	Magnusson et al.	D6/446
D412,797 S	*	8/1999	Sadler	D6/448
D433,248 S	*	11/2000	Hellwig et al.	D6/441
D433,840 S	*	11/2000	Hawang	D6/432
D437,148 S	*	2/2001	Base et al.	D6/432
D439,777 S	*	4/2001	Laughton	D6/510

* cited by examiner

Primary Examiner—Cathron C. Brooks

(74) *Attorney, Agent, or Firm*—Workman Nydegger Seeley

(57) **CLAIM**

The ornamental design for the storage cabinet with door, as shown and described.

DESCRIPTION

FIG. 1 is a left perspective view of the storage cabinet with the door shown closed and showing one of the four cylindrical elements on the top surface in an exploded view.

FIG. 2 is a right front perspective view thereof, with the door shown opened. The appearance of the right side of the cabinet interior is a mirror image of that shown on the left side of the cabinet.

FIG. 3 is a rear perspective view thereof showing the rear and top surface of the cabinet; and,

FIG. 4 is a bottom perspective view thereof showing the bottom and right surface of the cabinet.

In a second embodiment of the storage cabinet as shown in FIGS. 1-4, the bottom of the storage cabinet forms no part of the claimed design.

The novel design of the present invention is embodied in a storage cabinet with a door. The cabinet can be made from plastic or other materials and can preferably be assembled from approximately seven flat planar pieces by hand without tools. The door is hinged in a frame on the front of the cabinet. In one embodiment, the top and two lateral sides of the cabinet are identical pieces.

The present application claims priority under 35 U.S.C. § 120 from a United States utility patent application by Shun-Teng Chen, entitled "Combinatorial Cabinet," Application No. 09/400,990 filed Sep. 21, 1999 (incorporated herein by reference in its entirety).

1 Claim, 4 Drawing Sheets

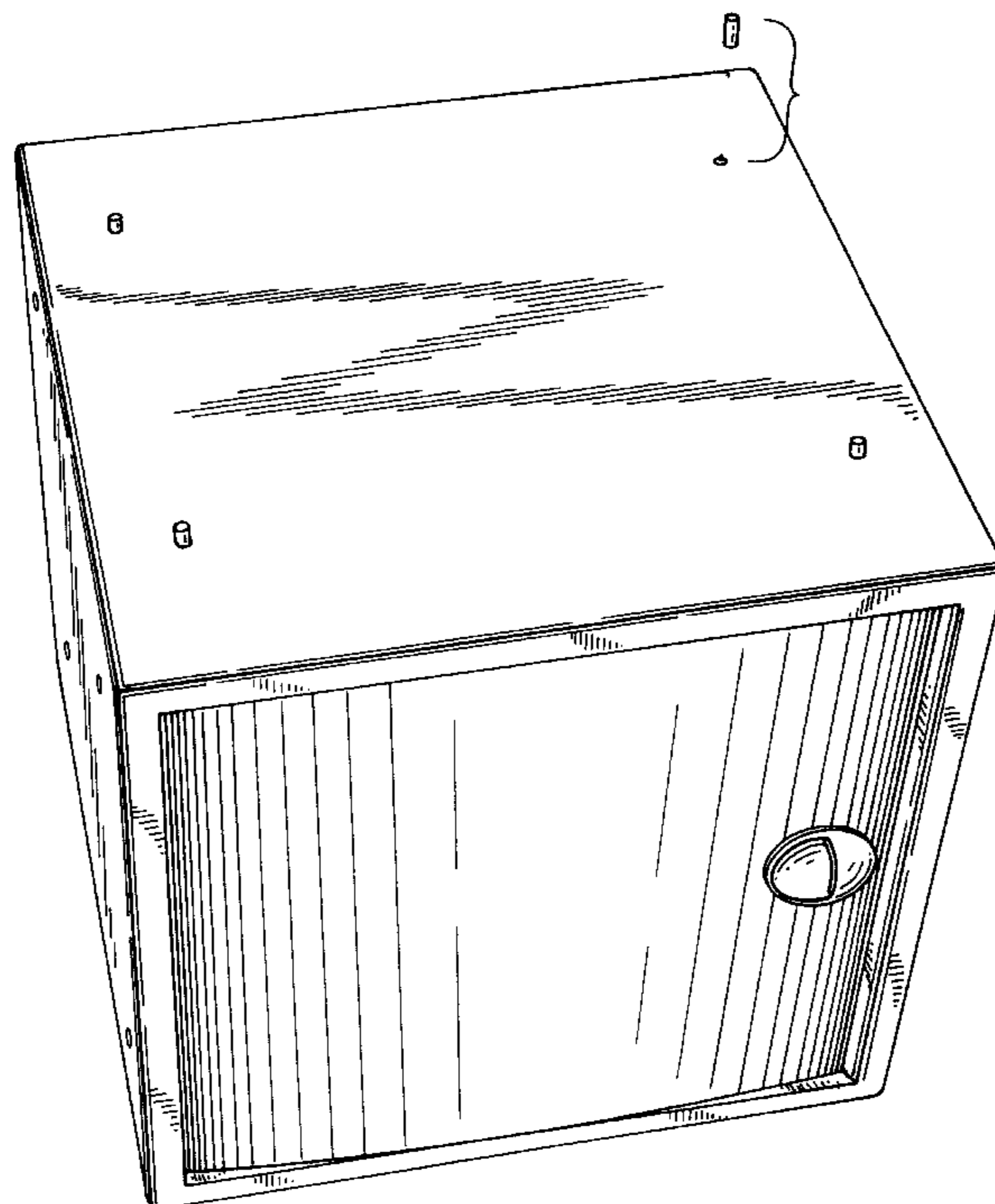


FIG. 1

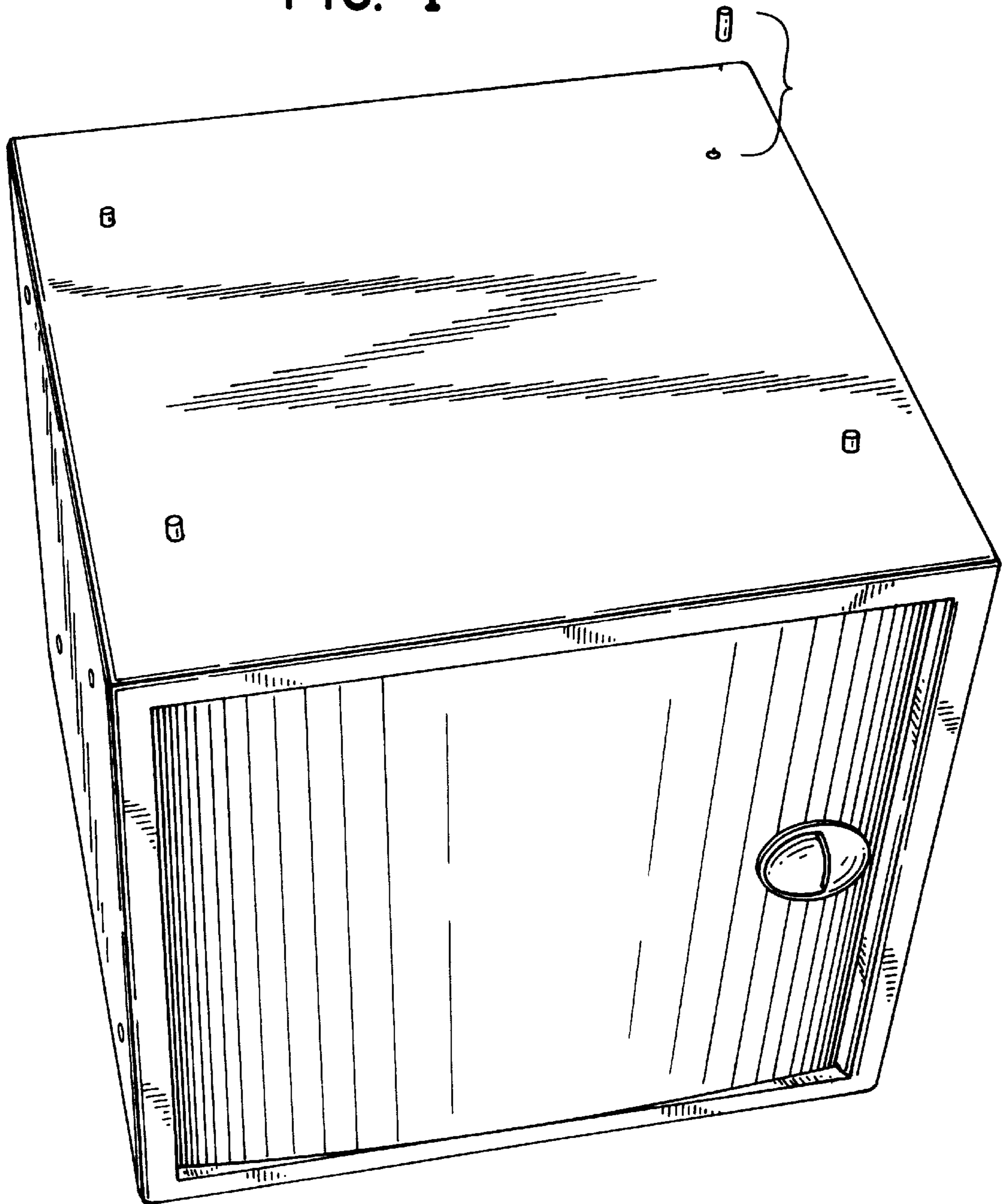


FIG. 2

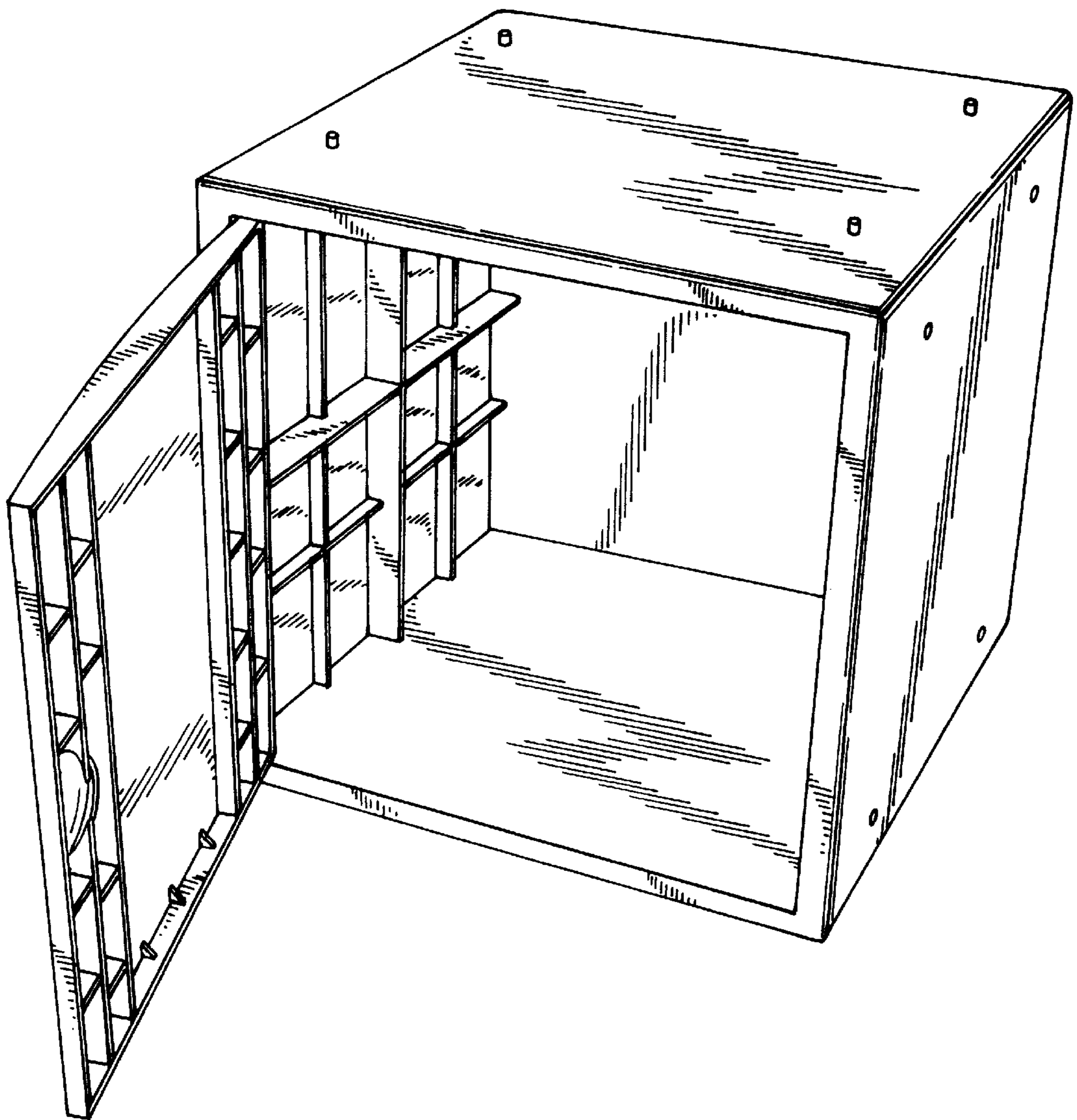


FIG. 3

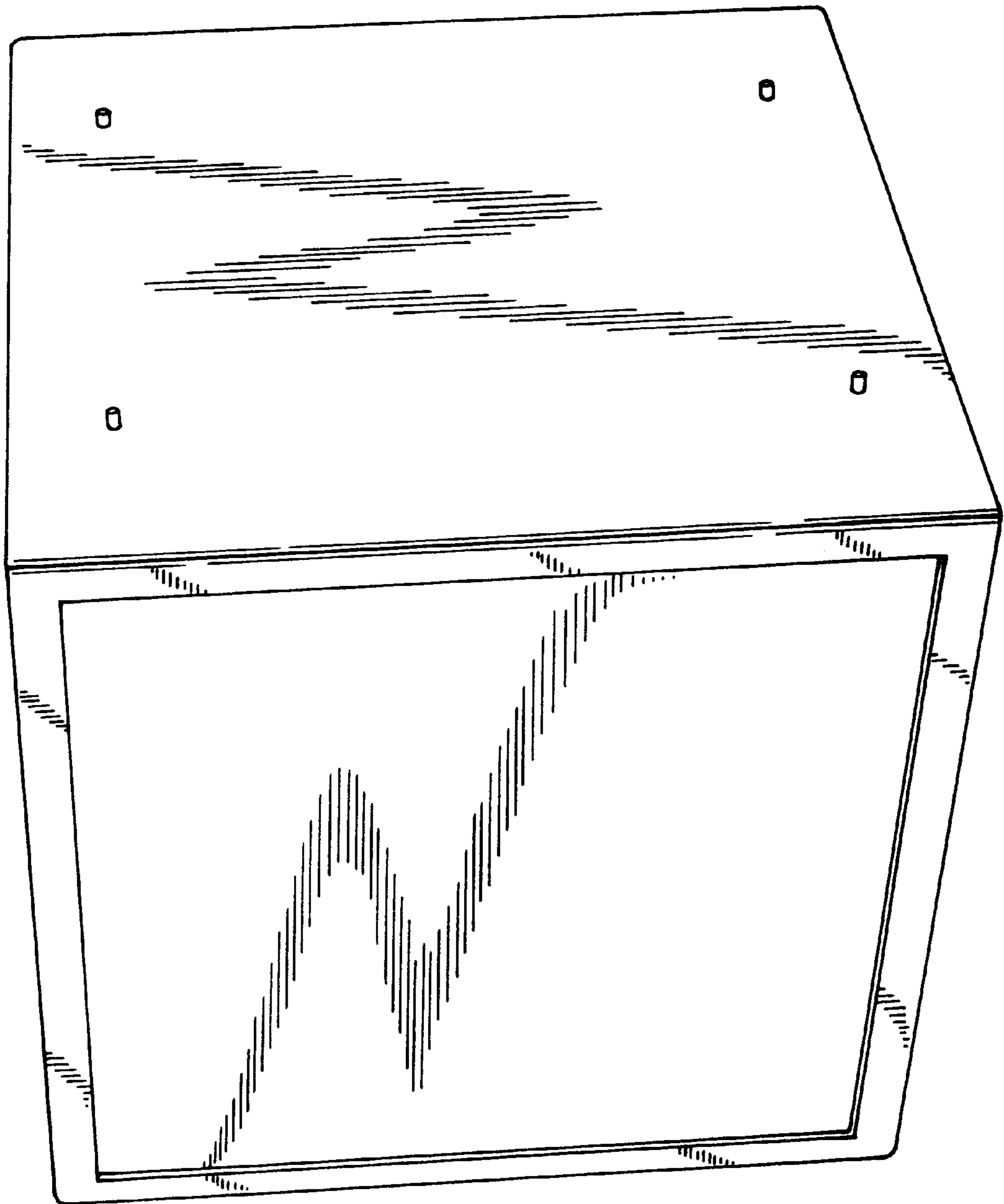


FIG. 4

