



US00D474623S

(12) **United States Design Patent**
Wang

(10) **Patent No.:** **US D474,623 S**

(45) **Date of Patent:** **** May 20, 2003**

(54) **COMPUTER TABLE**

D464,502 S * 10/2002 Chen D6/425

(76) Inventor: **Chih-Wei Wang**, 58, Ma Yuan West St., Taichung (TW)

* cited by examiner

Primary Examiner—Janice E. Seeger

(**) Term: **14 Years**

(57) **CLAIM**

(21) Appl. No.: **29/168,358**

The ornamental design for a computer table, as shown and described.

(22) Filed: **Sep. 27, 2002**

DESCRIPTION

(51) **LOC (7) Cl.** **06-04**

(52) **U.S. Cl.** **D6/425; D6/426**

(58) **Field of Search** D6/421–428, 484, D6/477, 419, 420, 474; 108/50.01, 50.02, 28; 312/194–196, 208.1, 208.4, 238

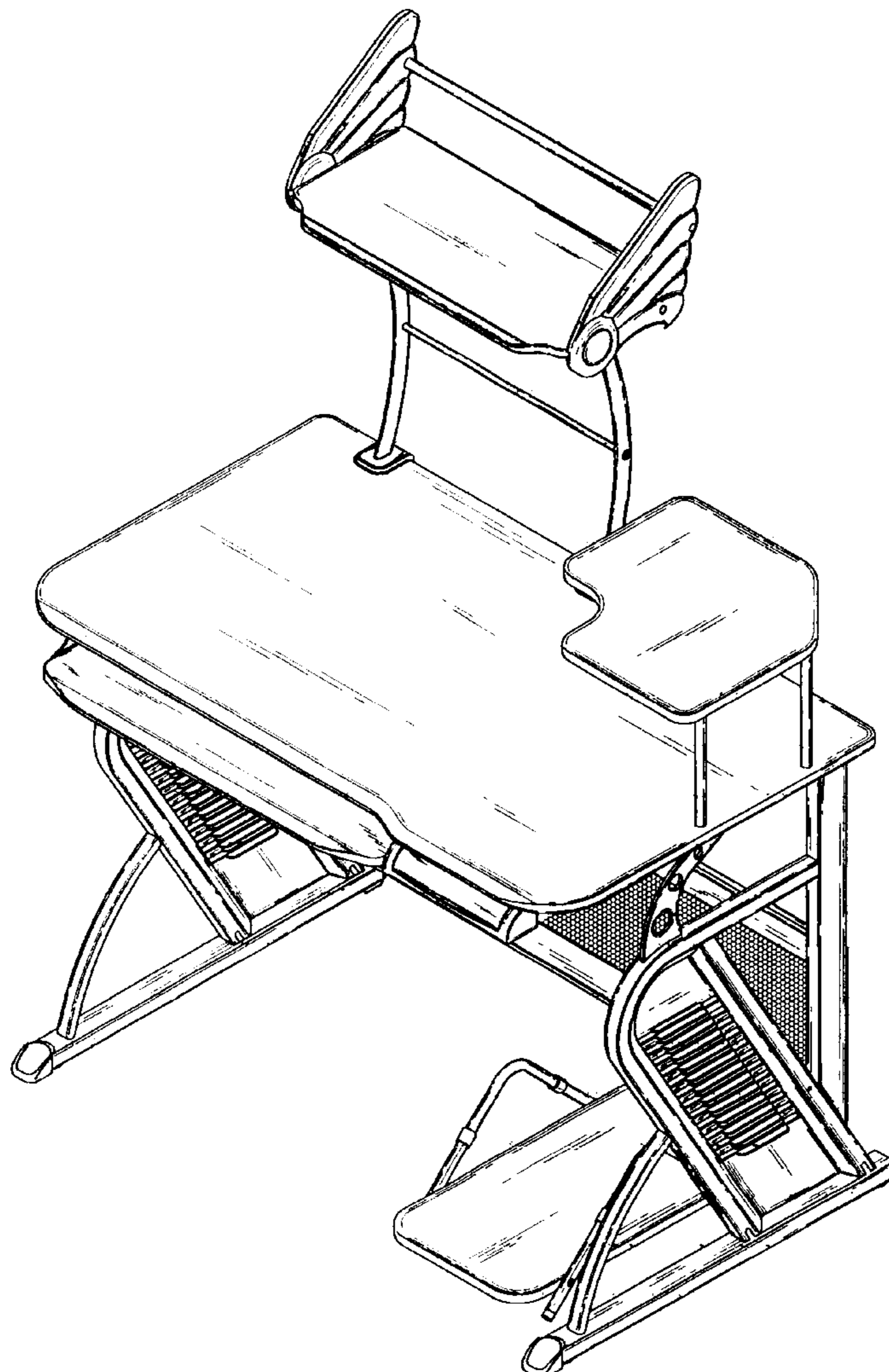
FIG. 1 is a front elevational view of a computer table showing my design;
FIG. 2 is a rear elevational view thereof;
FIG. 3 is a left side elevational view thereof;
FIG. 4 is a right side elevational view thereof;
FIG. 5 is a top plan view thereof;
FIG. 6 is a bottom plan view thereof;
FIG. 7 is a perspective view thereof; and,
FIG. 8 is a perspective schematic view illustrating a movable plate is extended.

(56) **References Cited**

U.S. PATENT DOCUMENTS

- D426,979 S * 6/2000 Hawang D6/426
- D462,194 S * 9/2002 Wang D6/425
- D464,212 S * 10/2002 Chen D6/425

1 Claim, 8 Drawing Sheets



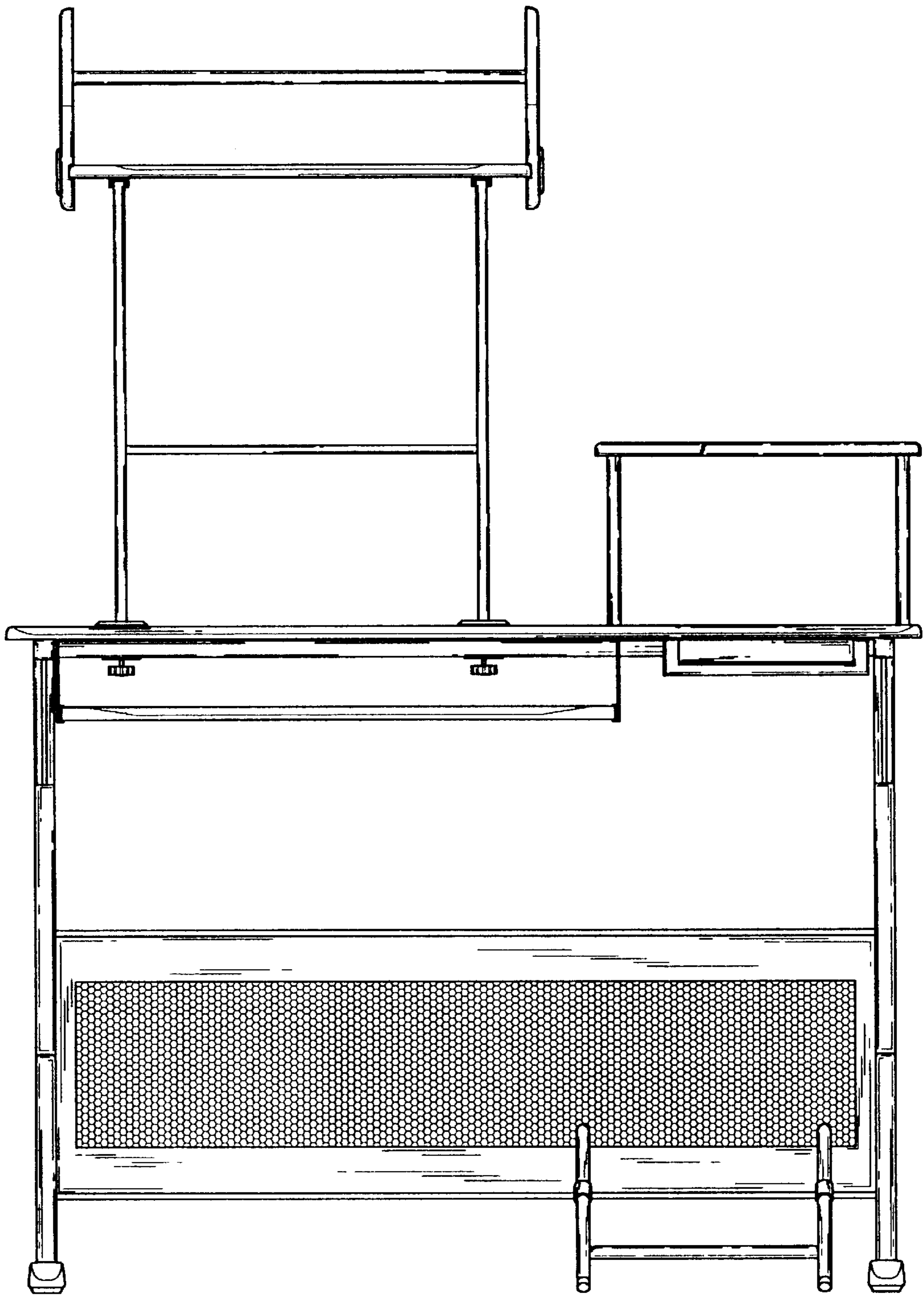


FIG 1

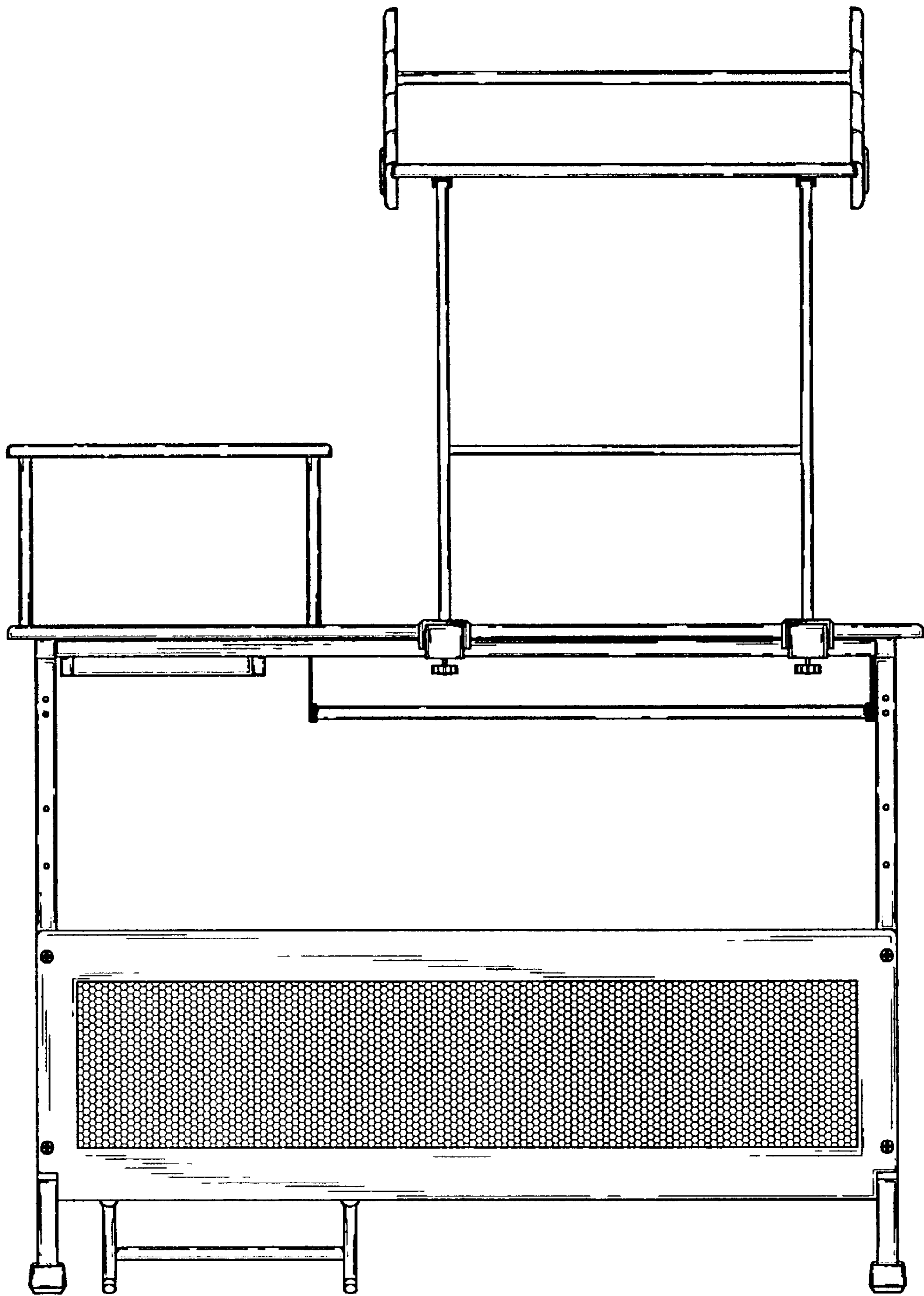


FIG 2

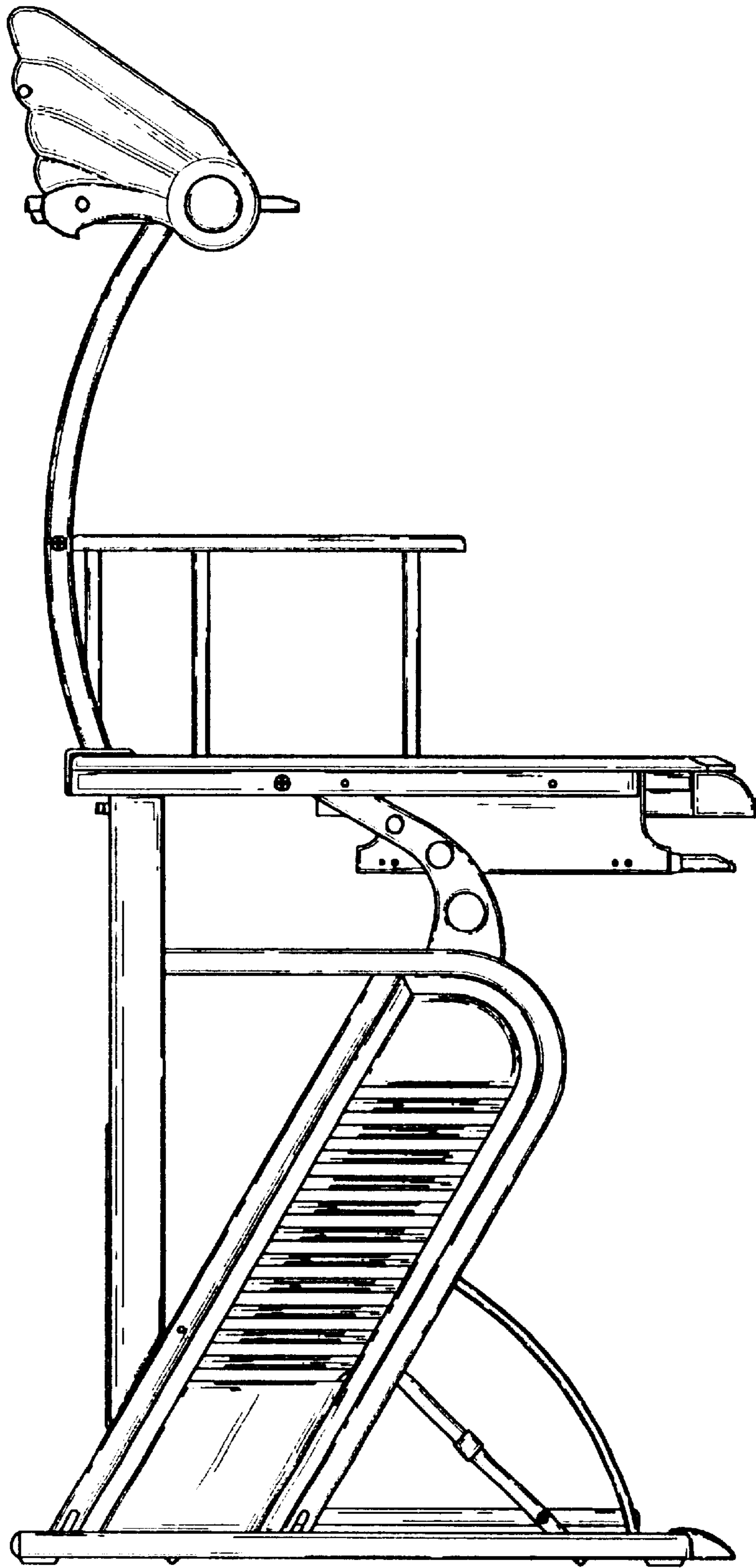


FIG 3

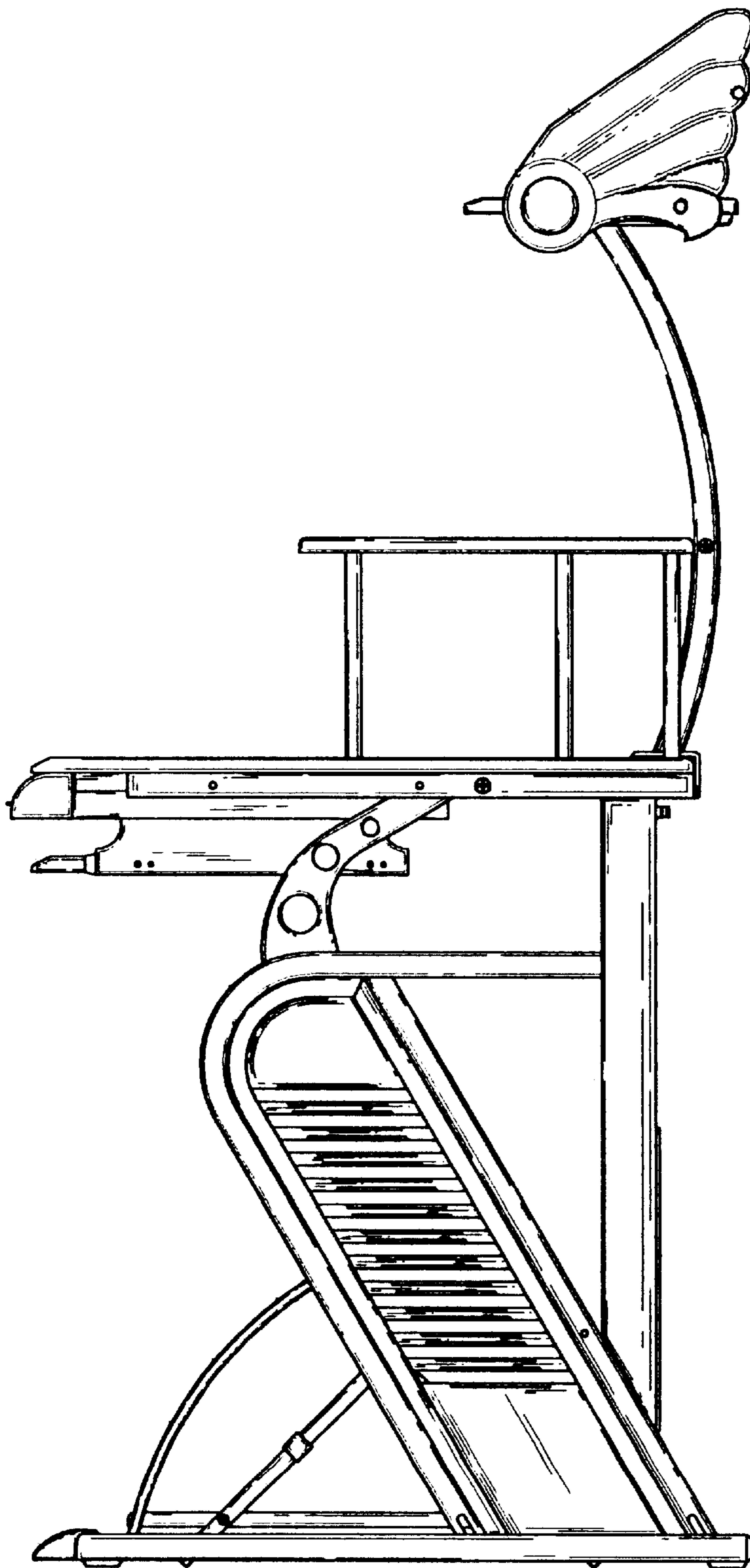


FIG 4

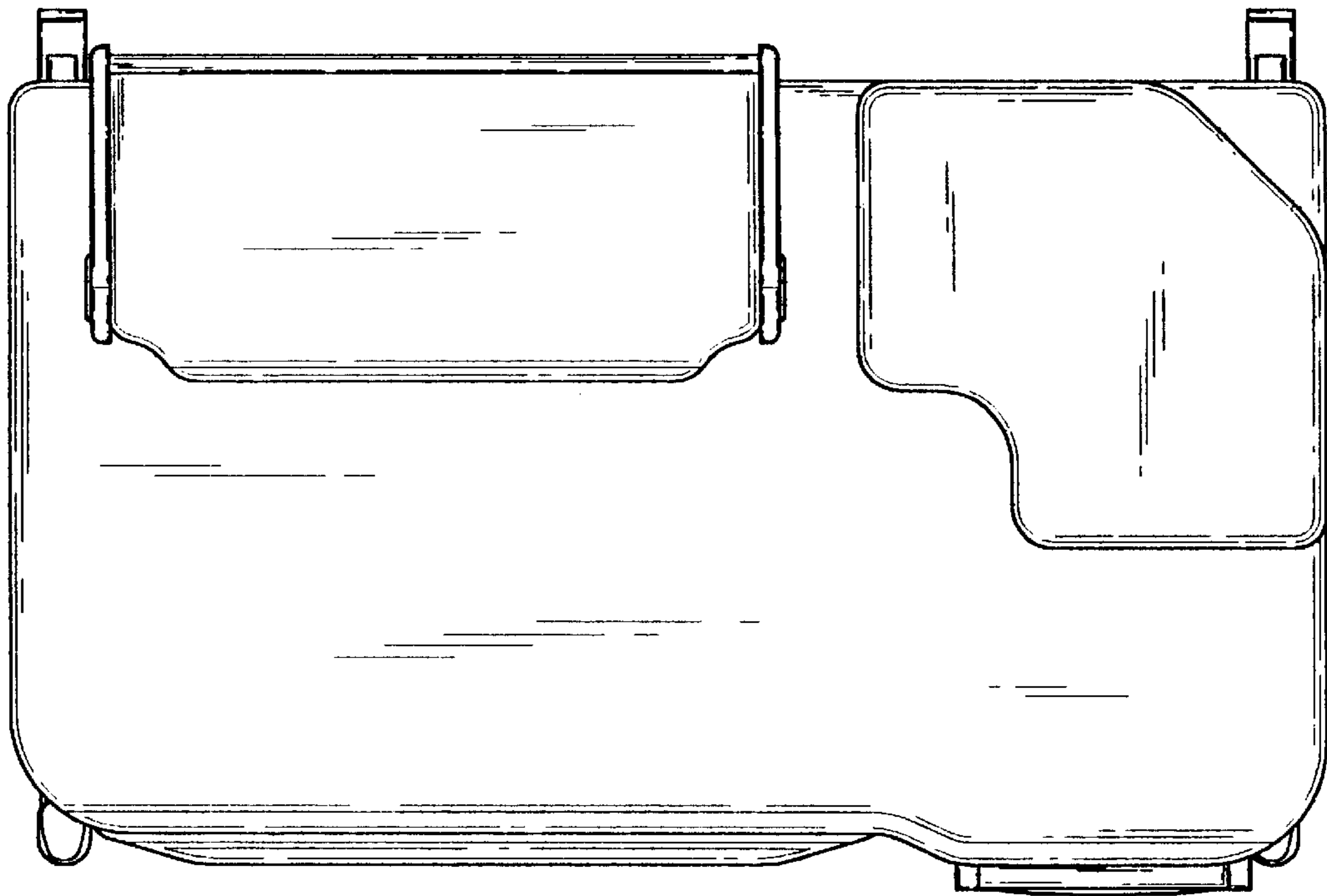


FIG 5

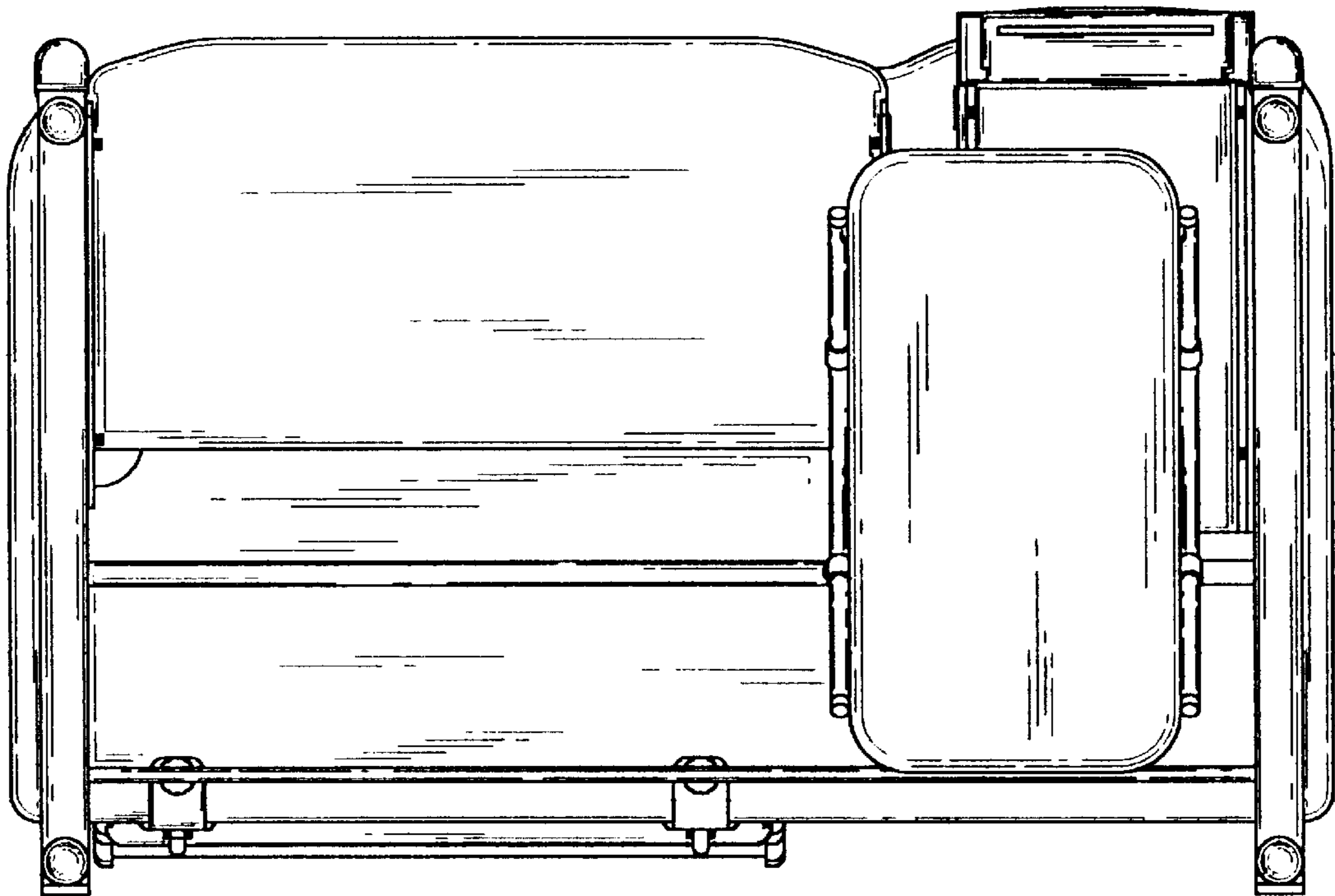


FIG 6

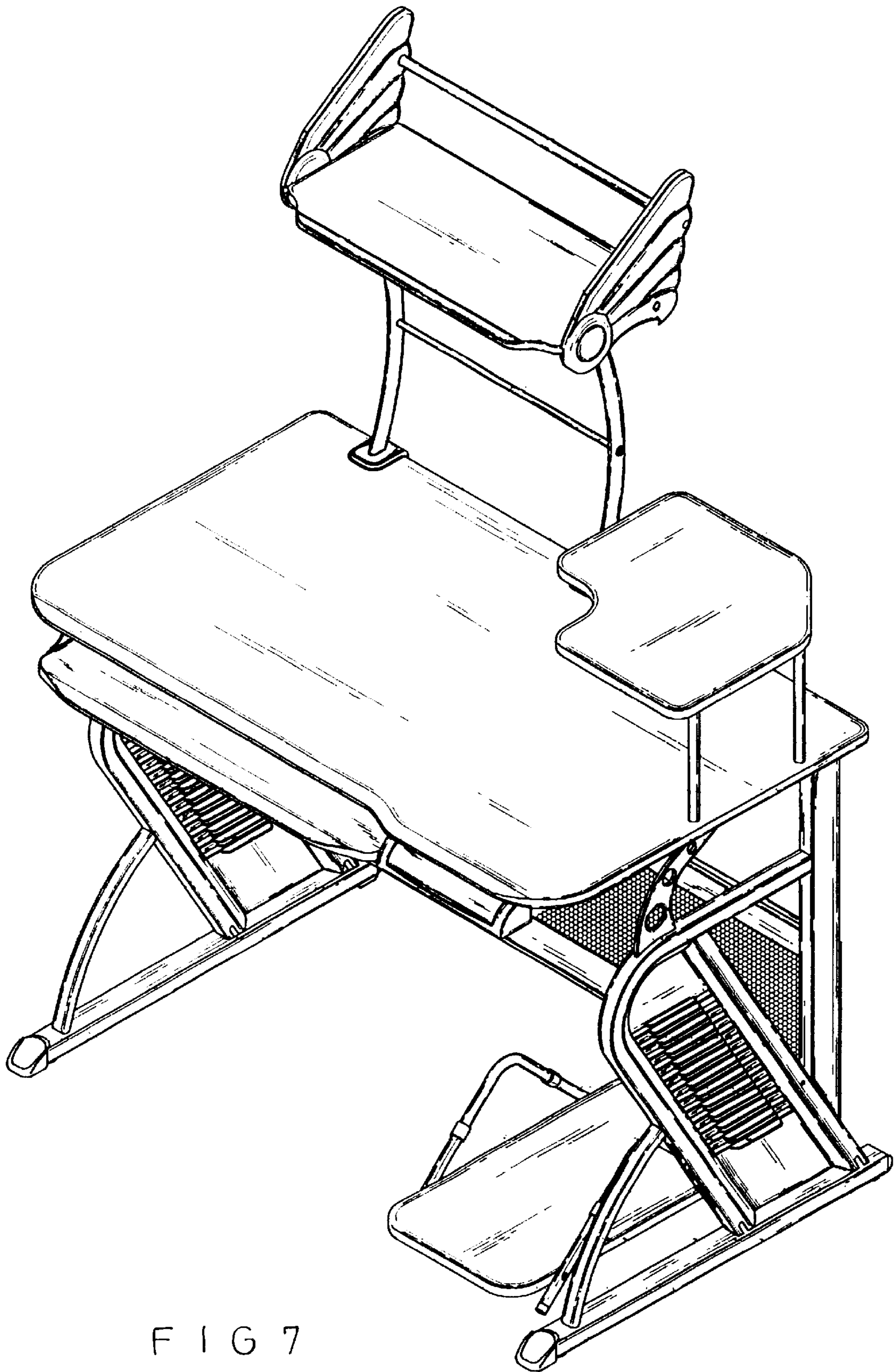


FIG 7

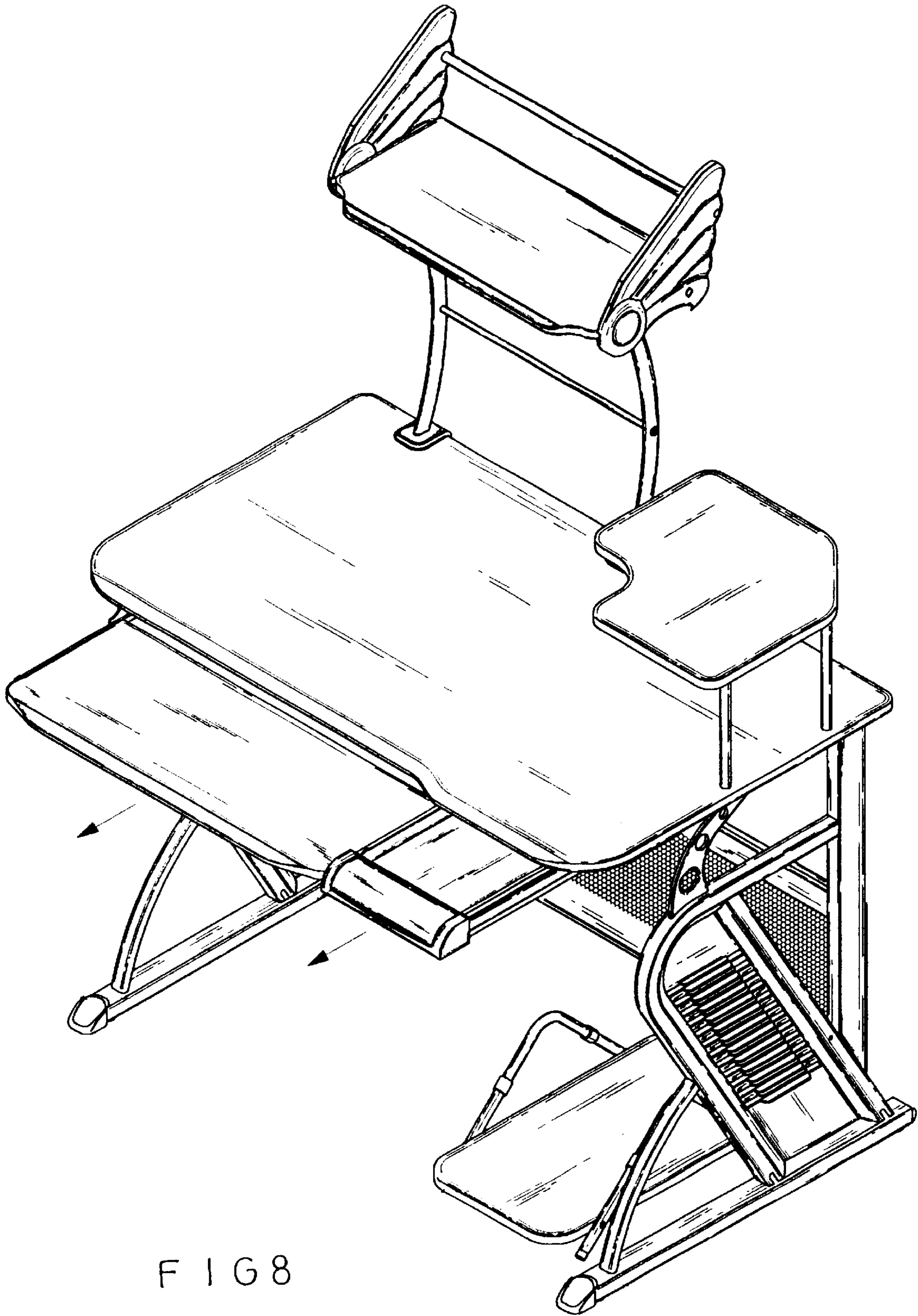


FIG 8