



US00D474617S

(12) **United States Design Patent**  
**Swartz**

(10) **Patent No.:** **US D474,617 S**

(45) **Date of Patent:** **\*\* May 20, 2003**

(54) **EASEL**

(75) **Inventor:** **Claudia Swartz**, Paradise Valley, AZ  
(US)

(73) **Assignee:** **Artapalooza, LLC**, Paradise Valley, AZ  
(US)

(\*\*) **Term:** **14 Years**

(21) **Appl. No.:** **29/167,818**

(22) **Filed:** **Sep. 19, 2002**

(51) **LOC (7) Cl.** ..... **06-07**

(52) **U.S. Cl.** ..... **D6/310**

(58) **Field of Search** ..... D6/300-302, 308-314;  
40/700, 721, 722, 732, 734, 790, 798; 248/441.1,  
448, 454, 455, 460, 463, 464

(56) **References Cited**

**U.S. PATENT DOCUMENTS**

4,763,902 A \* 8/1988 Erikson ..... 248/460 X  
5,497,971 A \* 3/1996 Spiro ..... 248/455

D394,752 S \* 6/1998 Tsui ..... D6/310

5,988,686 A \* 11/1999 Teixeira ..... 248/460 X

6,017,012 A \* 1/2000 Henson, Jr. .... 248/460

\* cited by examiner

*Primary Examiner*—Janice E. Seeger

(74) *Attorney, Agent, or Firm*—Jordan M. Meschkow;  
Lowell W. Gresham; Charlene R. Jacobsen

(57) **CLAIM**

The ornamental design for an easel, as shown and described.

**DESCRIPTION**

FIG. 1 is a front perspective view of an easel, showing my new design therefor;

FIG. 2 is a side view therefor, showing the left side, the right side being a mirror image thereof;

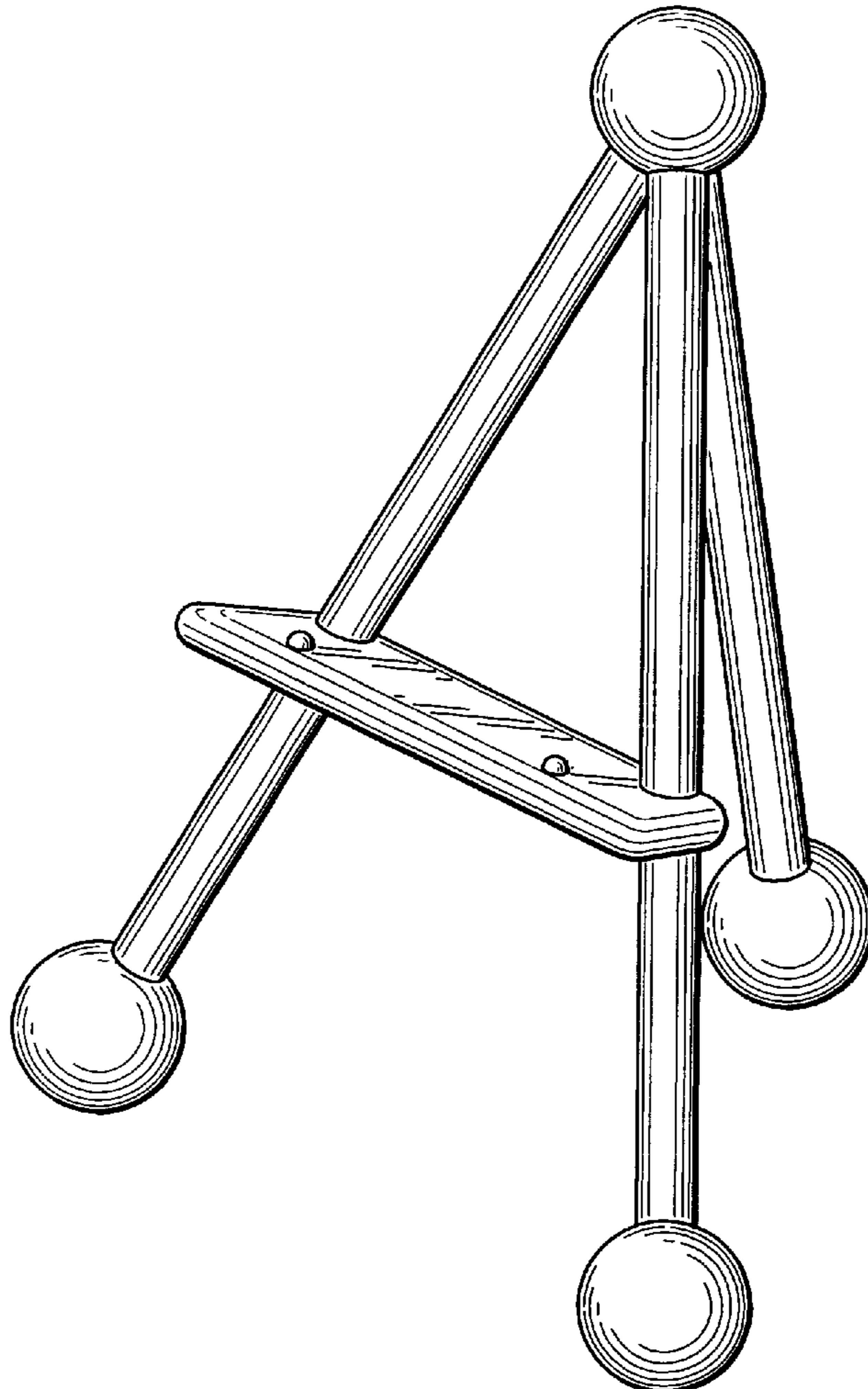
FIG. 3 is a frontal view therefor;

FIG. 4 is a rear view therefor;

FIG. 5 is a bottom plan view therefor; and,

FIG. 6 is a top plan view therefor.

**1 Claim, 3 Drawing Sheets**



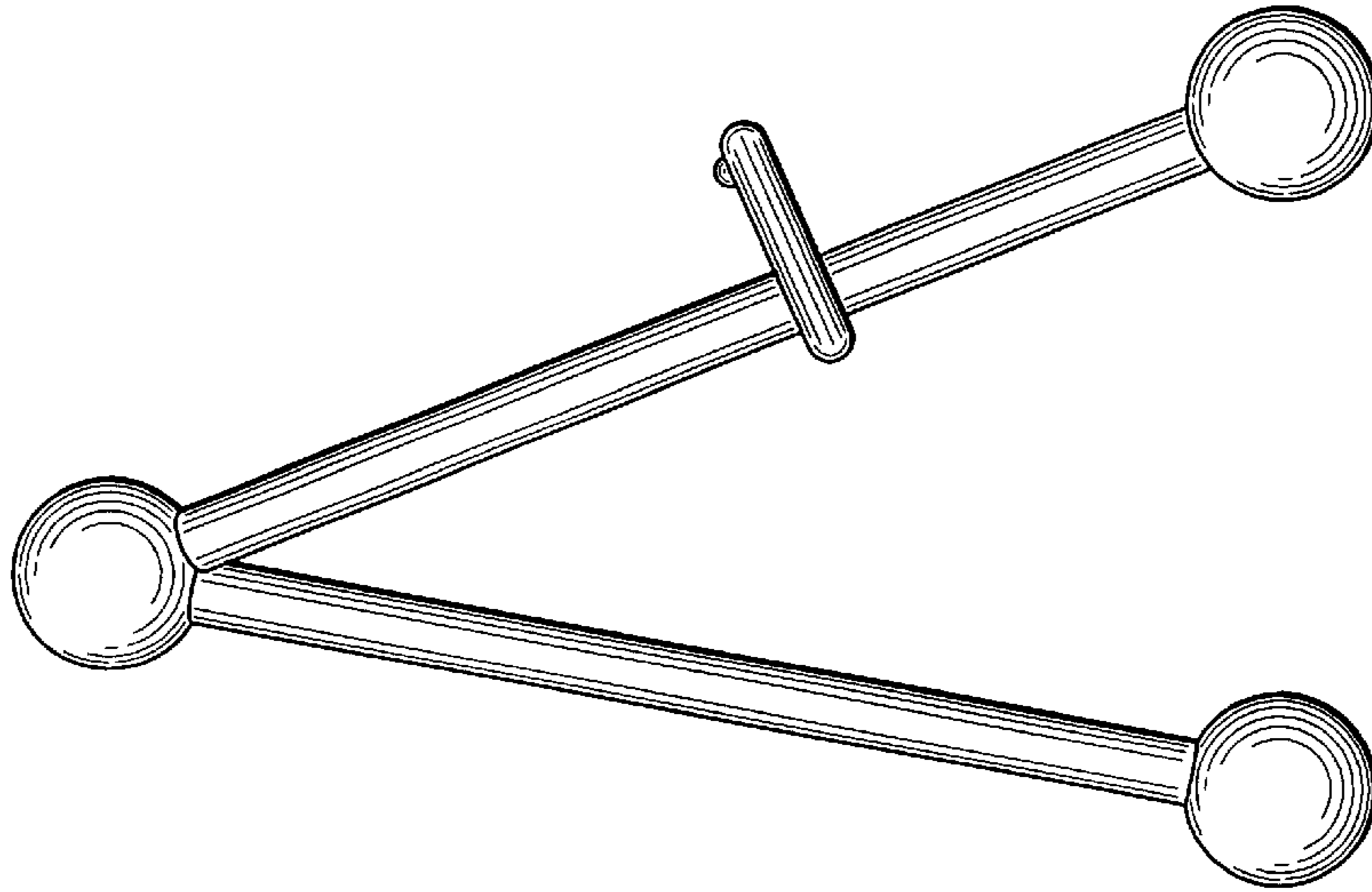


FIG. 2

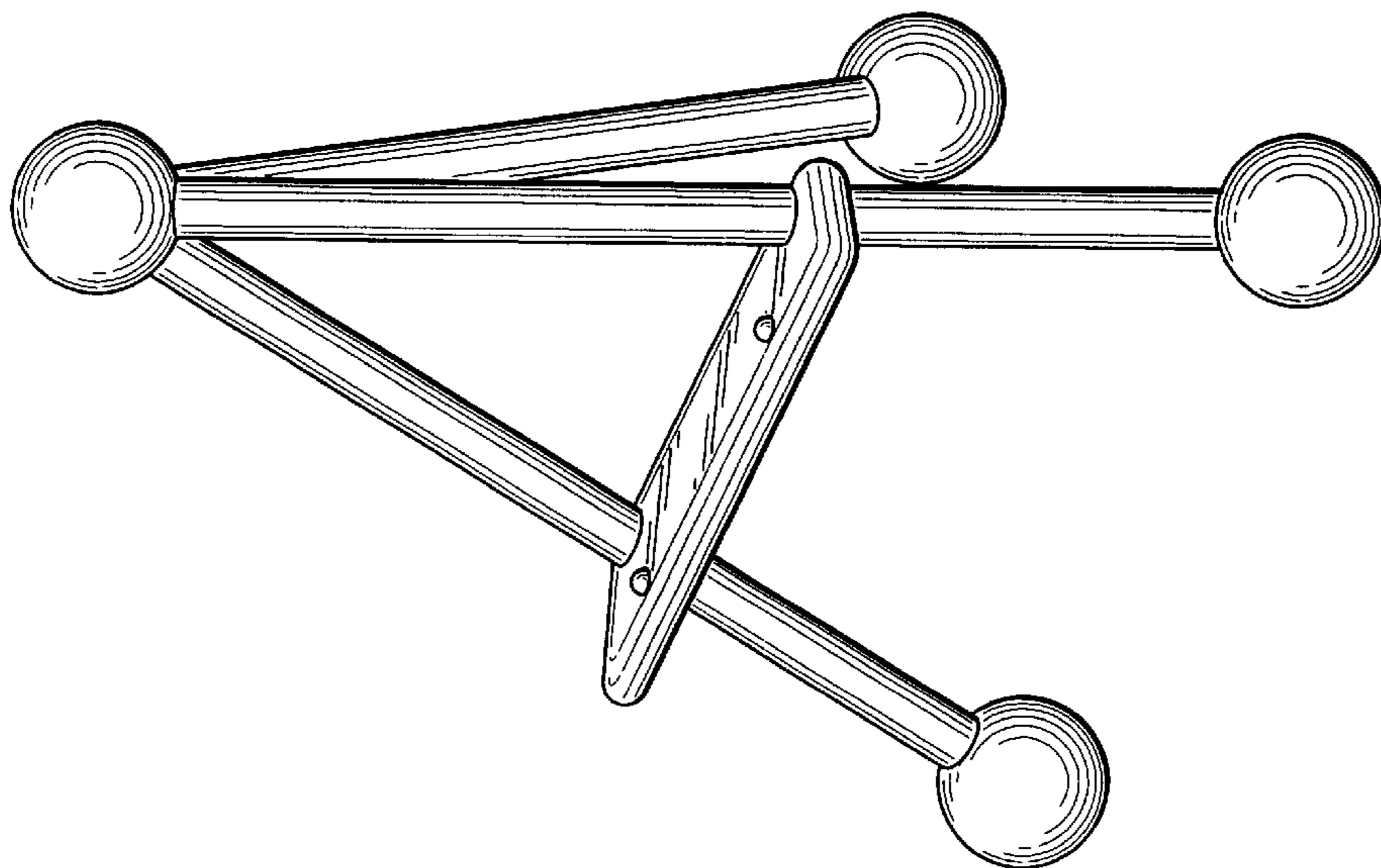


FIG. 1

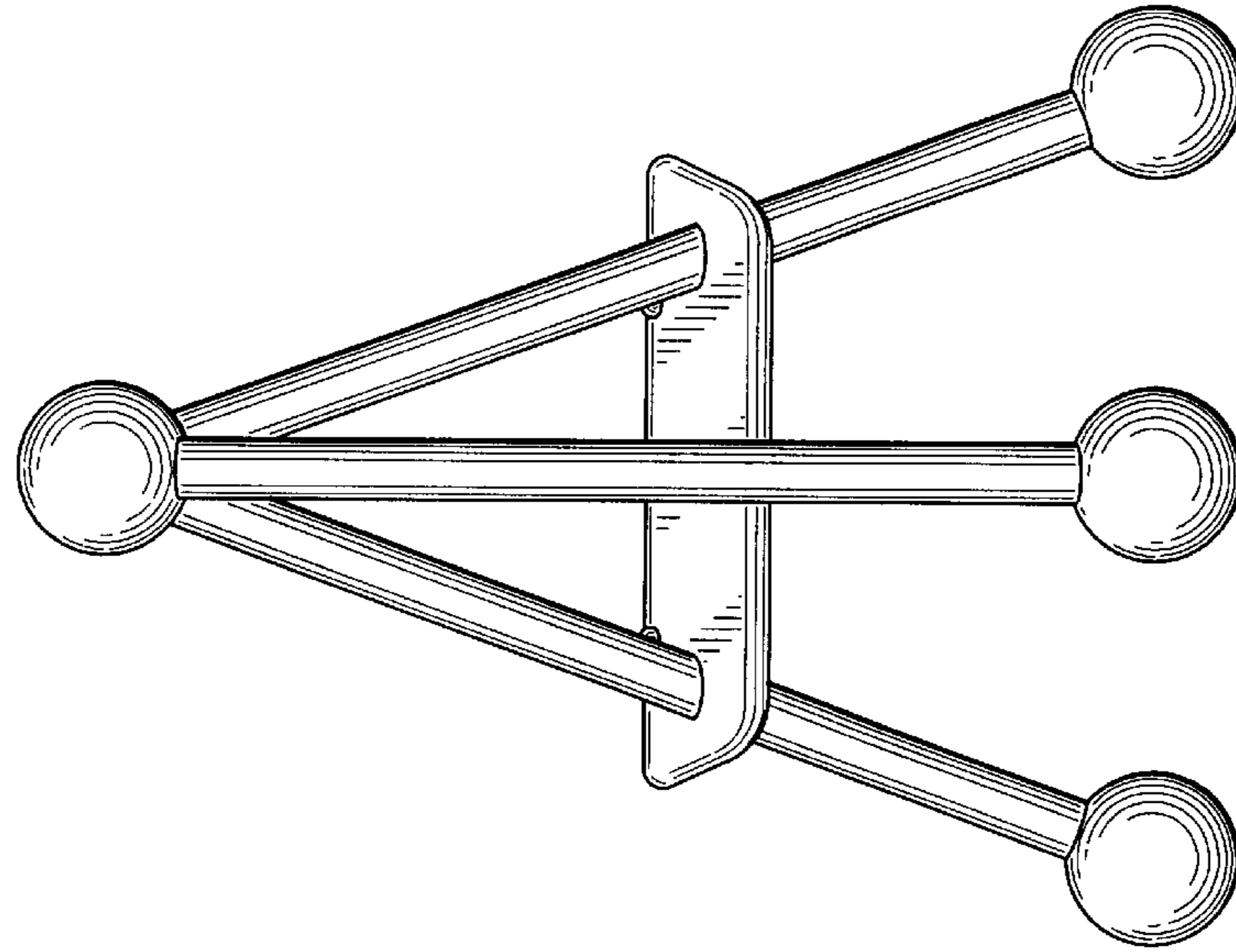


FIG. 4

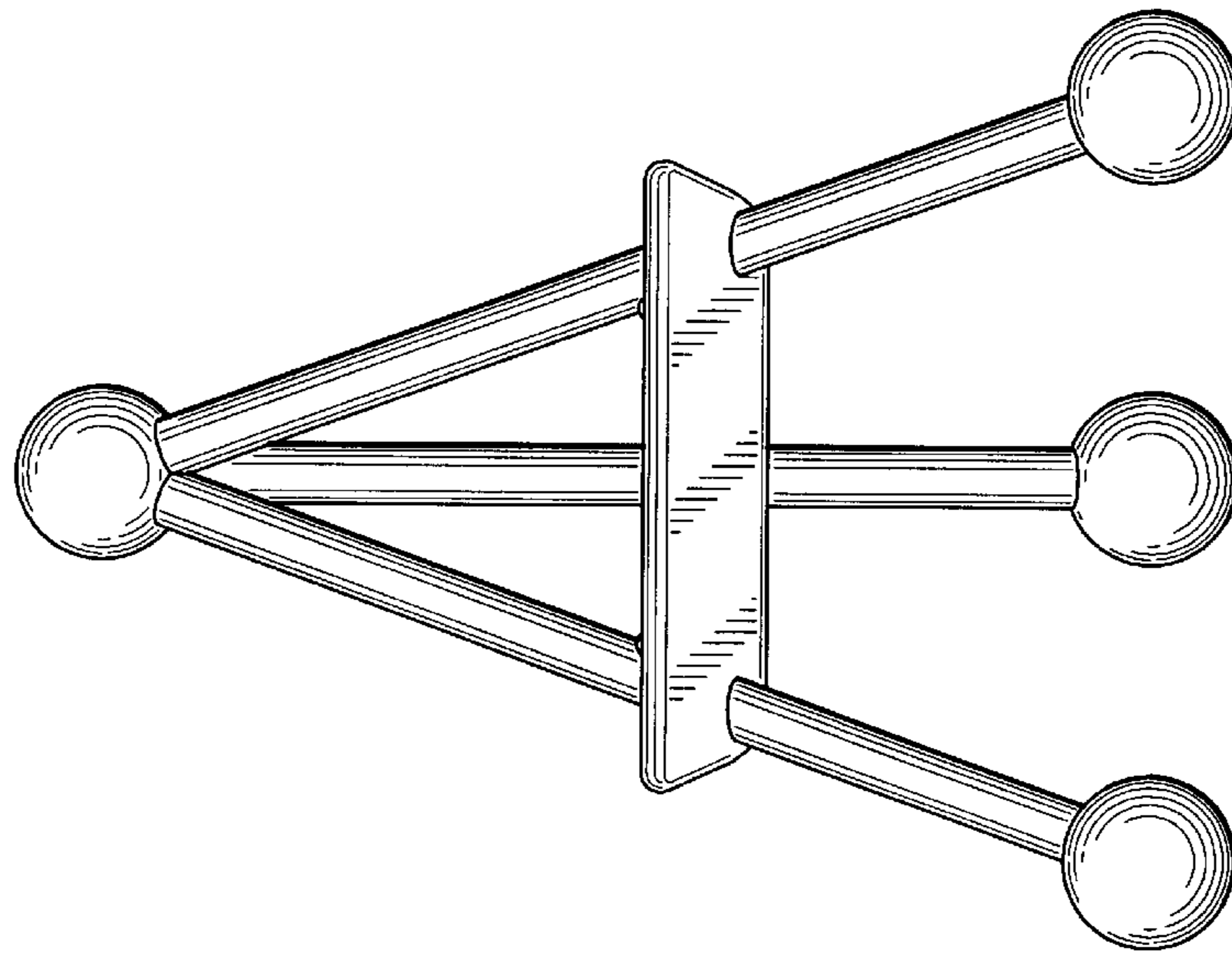


FIG. 3

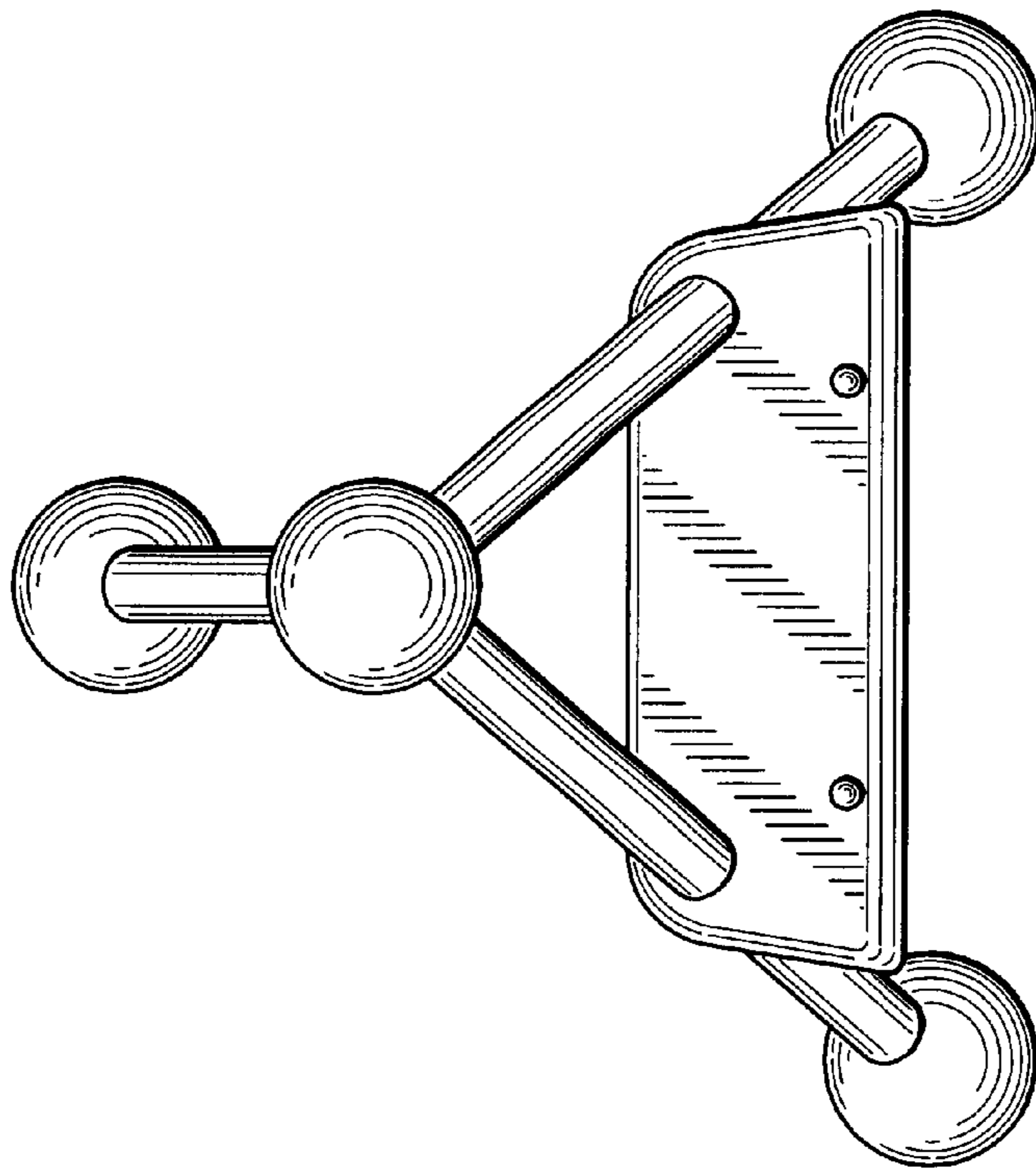


FIG. 6

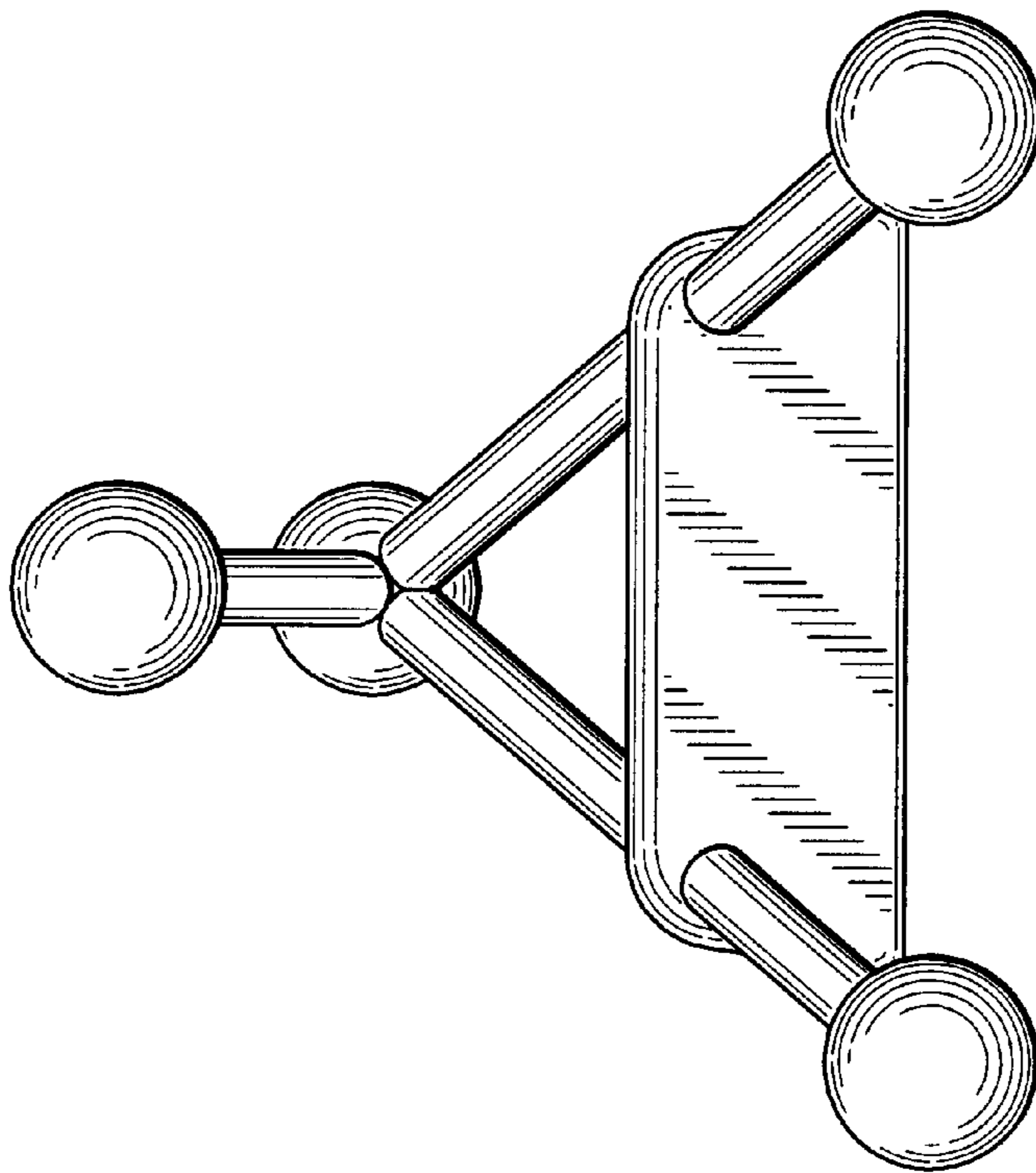


FIG. 5