



US00D474615S

(12) **United States Design Patent**
Harris

(10) **Patent No.:** **US D474,615 S**

(45) **Date of Patent:** **** May 20, 2003**

(54) **MIRROR**

(75) Inventor: **Charles C. Harris**, Winnipeg (CA)

(73) Assignee: **Palliser Furniture Ltd.**, Winnipeg (CA)

(**) Term: **14 Years**

(21) Appl. No.: **29/166,642**

(22) Filed: **Aug. 30, 2002**

(51) **LOC (7) Cl.** **06-07**

(52) **U.S. Cl.** **D6/300**

(58) **Field of Search** D6/300-303, 308-314;
40/700, 711, 714, 715, 721, 722, 735, 737-739,
790, 798, 800

(56) **References Cited**

U.S. PATENT DOCUMENTS

D358,037 S	*	5/1995	Monroe	D6/300
D461,393 S	*	8/2002	Aubert Capella	D8/353
D465,095 S	*	11/2002	Clark et al.	D6/300

* cited by examiner

Primary Examiner—Janice E. Seeger

(74) *Attorney, Agent, or Firm*—Michael Best & Friedrich LLP

(57) **CLAIM**

The ornamental design for a mirror, as shown and described.

DESCRIPTION

FIG. 1 is a front, left side perspective view of a mirror embodying my design, the front, right side perspective view is a mirror image;

FIG. 2 is a front view of the mirror of FIG. 1;

FIG. 3 is a left side elevational view of the mirror of FIG. 1;

FIG. 4 is a right side elevational view of the mirror of FIG. 1;

FIG. 5 is a top plan view of the mirror of FIG. 1;

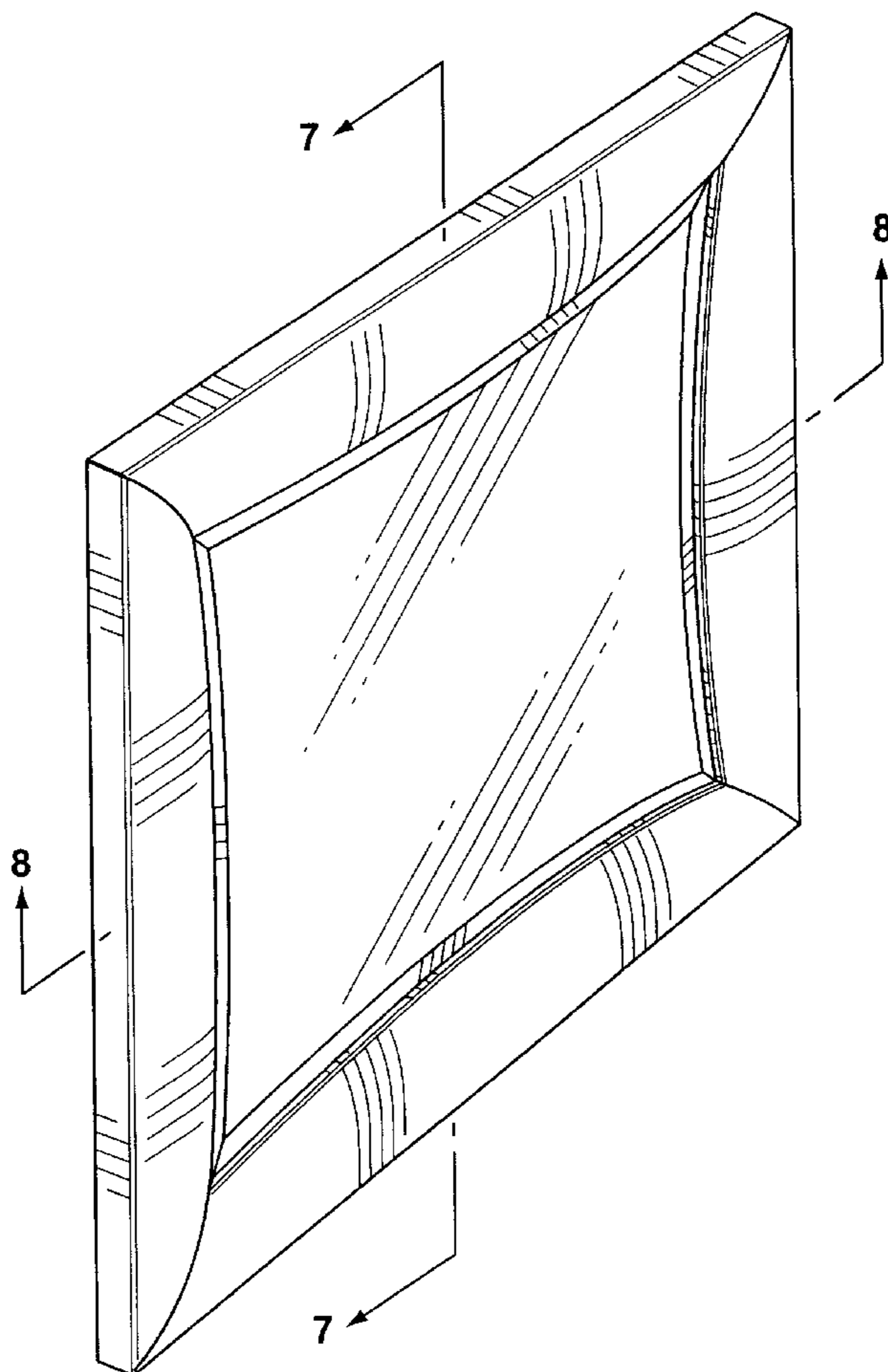
FIG. 6 is a bottom plan view of the mirror of FIG. 1;

FIG. 7 is a cross-sectional view at 7—7 of the mirror in FIG. 1;

FIG. 8 is a cross-sectional view at 8—8 of the mirror in FIG. 1; and,

FIG. 9 is an enlarged view of the part identified as 9 of the mirror in FIG. 7.

1 Claim, 2 Drawing Sheets



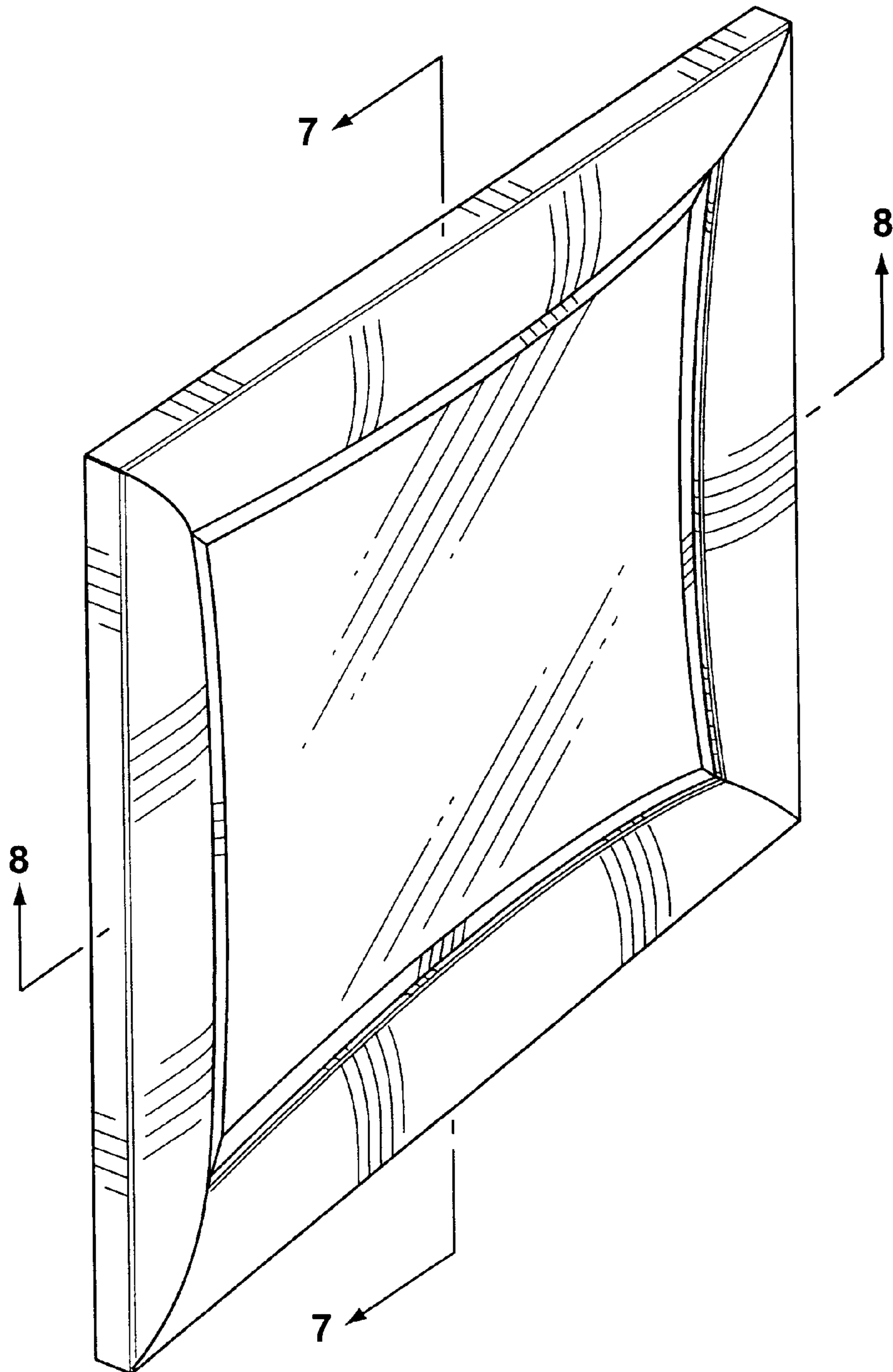


FIG. 1



FIG. 5

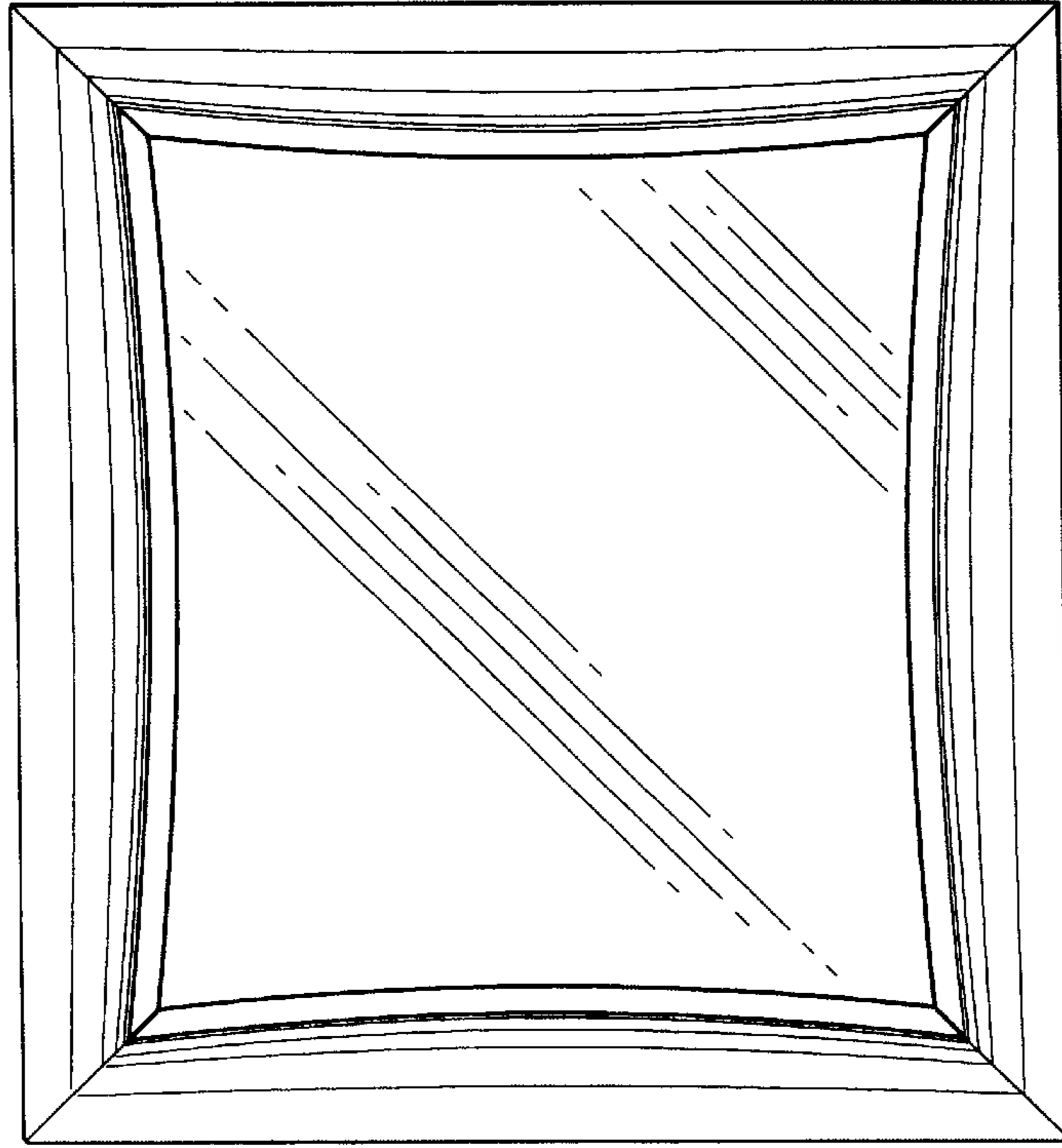


FIG. 2



FIG. 3



FIG. 4



FIG. 7

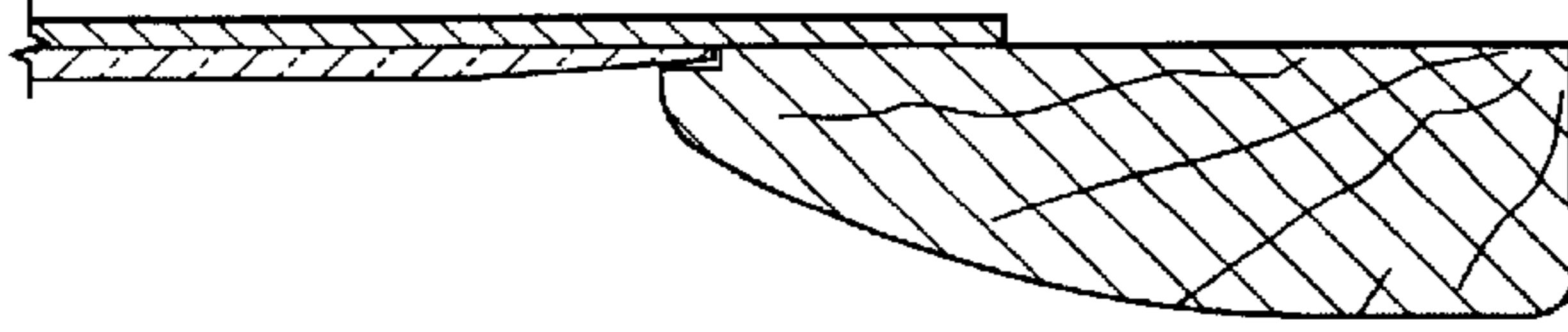


FIG. 9



FIG. 6



FIG. 8