



US00D474606S

(12) **United States Design Patent**  
**Chen**

(10) **Patent No.:** **US D474,606 S**

(45) **Date of Patent:** **\*\* May 20, 2003**

- (54) **SUITCASE PROTECTION STRIP**
- (76) Inventor: **Wei-Chih Chen**, No. 59, Hen-Chung St., Wu-Chi Le, Ta-Chia Cheng, Taichung Hsien (TW)
- (\*\*) Term: **14 Years**
- (21) Appl. No.: **29/161,791**
- (22) Filed: **Jun. 5, 2002**
- (51) **LOC (7) Cl.** ..... **03-99**
- (52) **U.S. Cl.** ..... **D3/322**
- (58) **Field of Search** ..... D3/318, 321, 322, D3/273-276, 278, 279, 281, 283, 288, 289, 290; 190/18 A, 18 R, 37, 107, 115, 125, 126, 127; 224/261

- 6,035,982 A \* 3/2000 Wei-Chih ..... 190/37
- 6,290,039 B1 \* 9/2001 Chen ..... 190/37
- D455,007 S \* 4/2002 Chen ..... D3/322

\* cited by examiner

*Primary Examiner*—Louis S. Zarfaz  
*Assistant Examiner*—Monica A. Weingart  
(74) *Attorney, Agent, or Firm*—Harrison & Egbert

(57) **CLAIM**

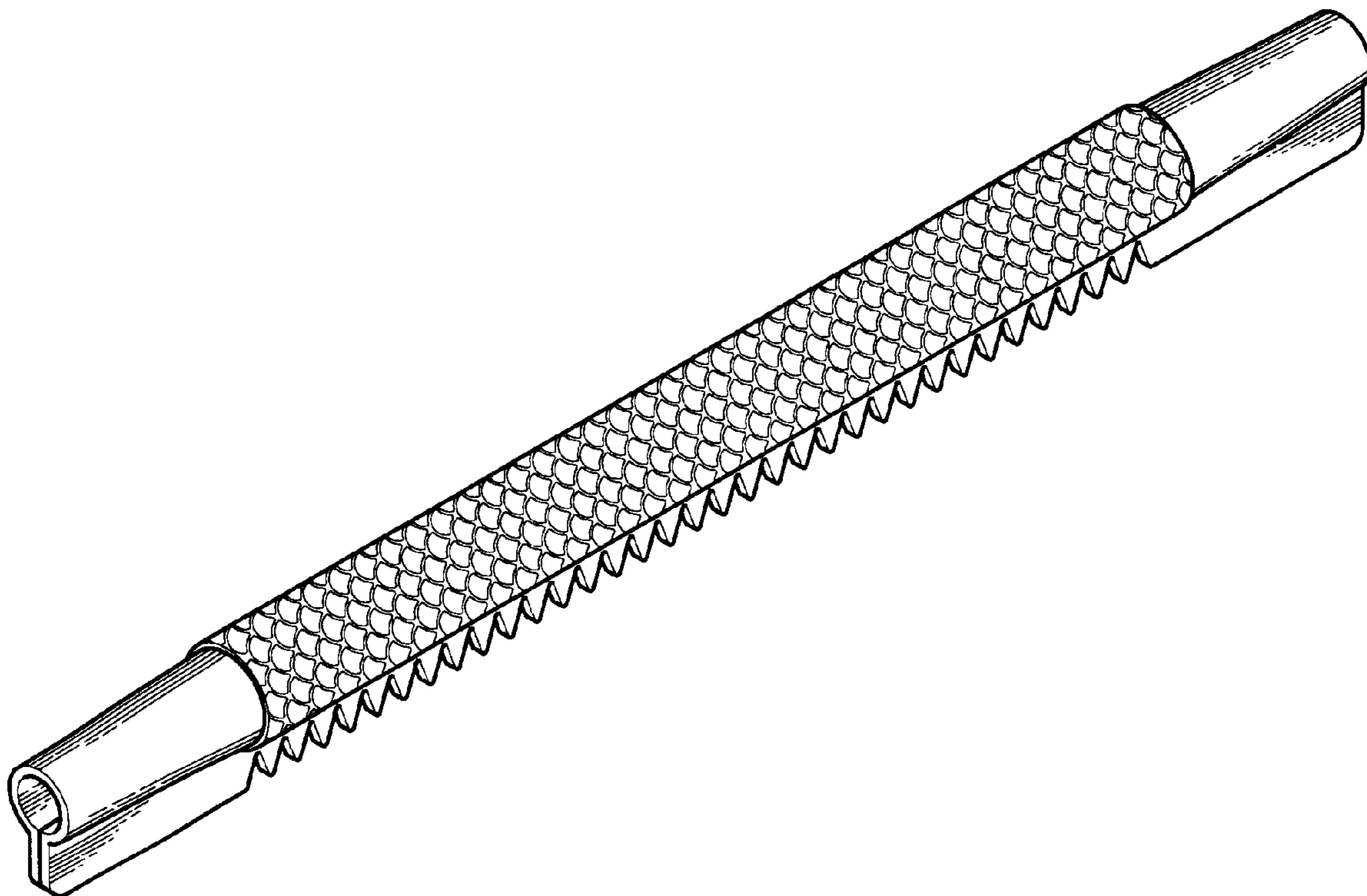
I claim the ornamental design for a suitcase protection strip, as shown and described.

**DESCRIPTION**

FIG. 1 is an upper perspective view of the suitcase protection strip showing my design.  
FIG. 2 is a front view thereof;  
FIG. 3 is a back view thereof;  
FIG. 4 is a side view thereof;  
FIG. 5 is an opposite side view thereof;  
FIG. 6 is a top view thereof; and,  
FIG. 7 is a bottom view thereof.

- (56) **References Cited**
- U.S. PATENT DOCUMENTS**
- D85,525 S \* 11/1931 Howard ..... D3/322
- 2,232,835 A \* 2/1941 Balin ..... 190/37
- 4,813,520 A \* 3/1989 Lin ..... 190/107

**1 Claim, 4 Drawing Sheets**



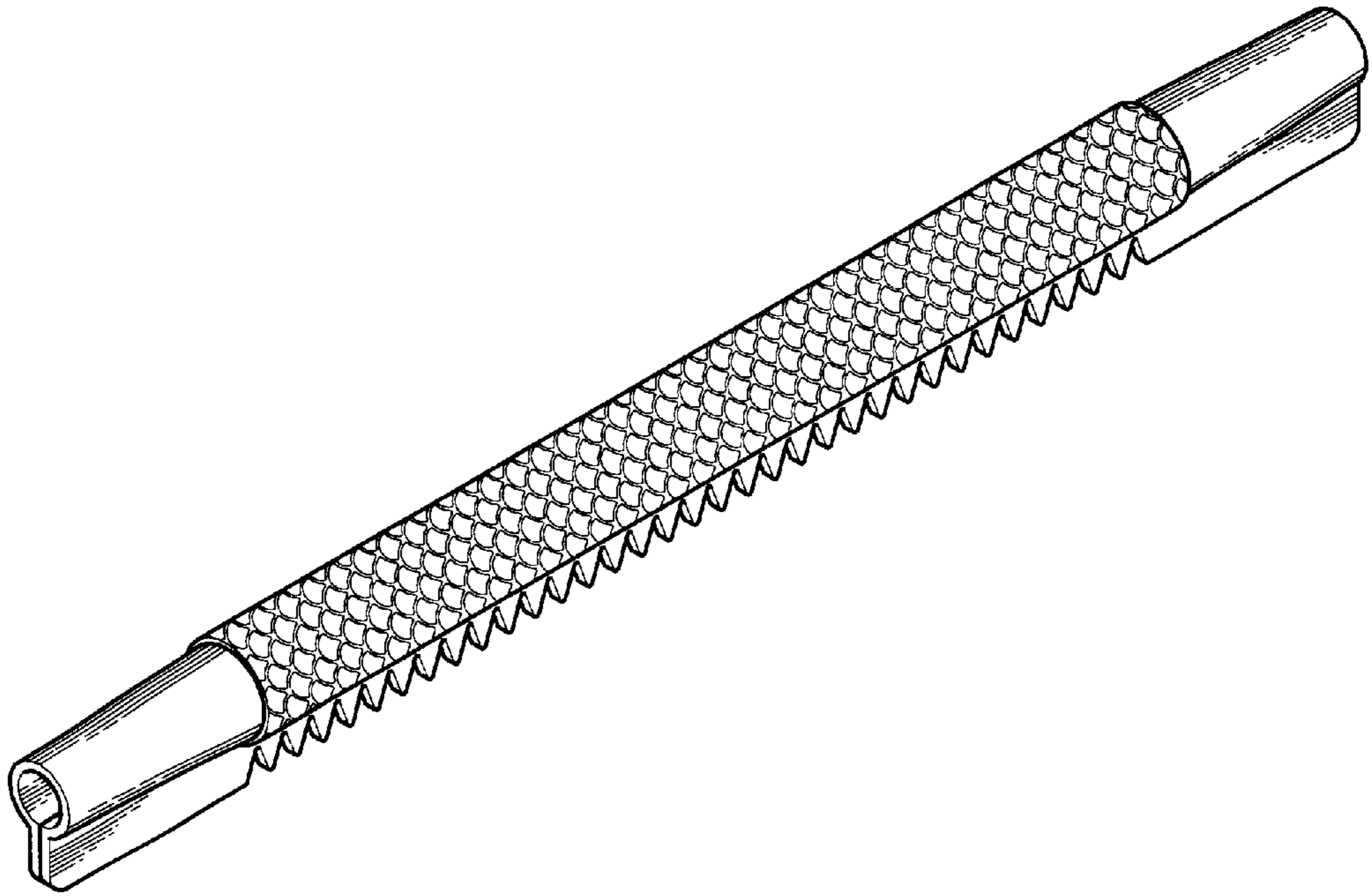


FIG.1

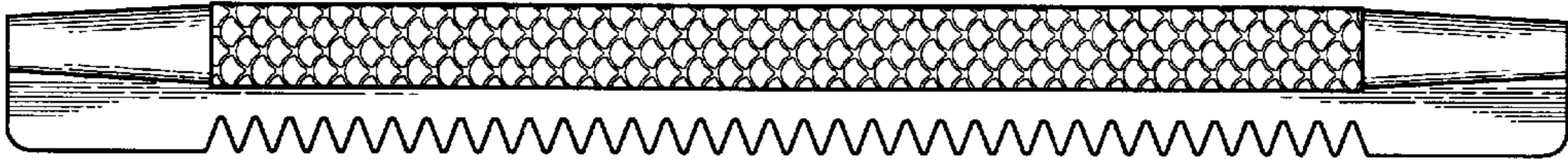


FIG. 2

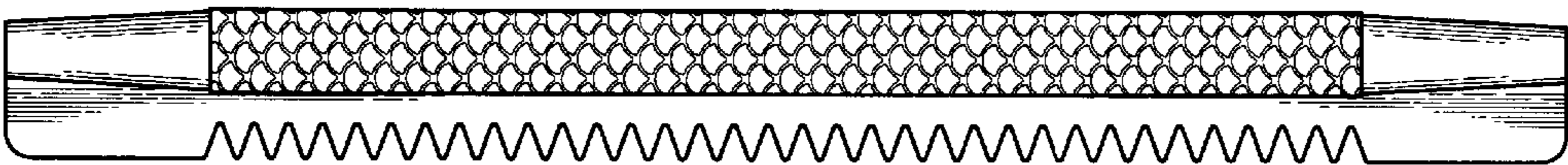


FIG. 3



FIG. 4



FIG. 5



FIG. 6



FIG. 7