



US00D474605S

(12) **United States Design Patent**
Wolf

(10) **Patent No.:** **US D474,605 S**

(45) **Date of Patent:** **** May 20, 2003**

(54) **SPLIT TOP JEWELRY BOX**

(75) Inventor: **Simon Wolf**, Malibu, CA (US)

(73) Assignee: **Wolf Designs, Inc.**, Malibu, CA (US)

(**) Term: **14 Years**

(21) Appl. No.: **29/161,070**

(22) Filed: **May 20, 2002**

(51) **LOC (7) Cl.** **03-01**

(52) **U.S. Cl.** **D3/321; D3/318**

(58) **Field of Search** **D3/273, 288, 292,**
D3/901, 902; D9/420, 422, 423; 206/6.1,
315.1, 315.11, 349, 372, 373; 190/114

(56) **References Cited**

U.S. PATENT DOCUMENTS

1,462,245	A	*	7/1923	Reglein	312/269
2,055,657	A	*	9/1936	Gordon	312/209
D171,437	S	*	2/1954	Breen	D17/24
D196,415	S	*	9/1963	Thelford	D3/258
D251,874	S	*	5/1979	Zavala	D3/275
D355,299	S	*	2/1995	Lowden	D3/276
5,386,907	A	*	2/1995	Kahl et al.	206/315.11
5,676,240	A	*	10/1997	Cziraky et al.	206/1.7

* cited by examiner

Primary Examiner—Philip S. Hyder

(74) *Attorney, Agent, or Firm*—Cislo & Thomas LLP

(57) **CLAIM**

The ornamental design for a split top jewelry box, as shown and described herein.

DESCRIPTION

FIG. 1 is a perspective view of my split top jewelry box shown in solid line in the open position with the phantom line showing aspects which are not part of the design being claimed therein;

FIG. 2 is a front perspective view of the split top jewelry box shown in FIG. 1 but in the closed position, the phantom lines being for illustrative purposes only;

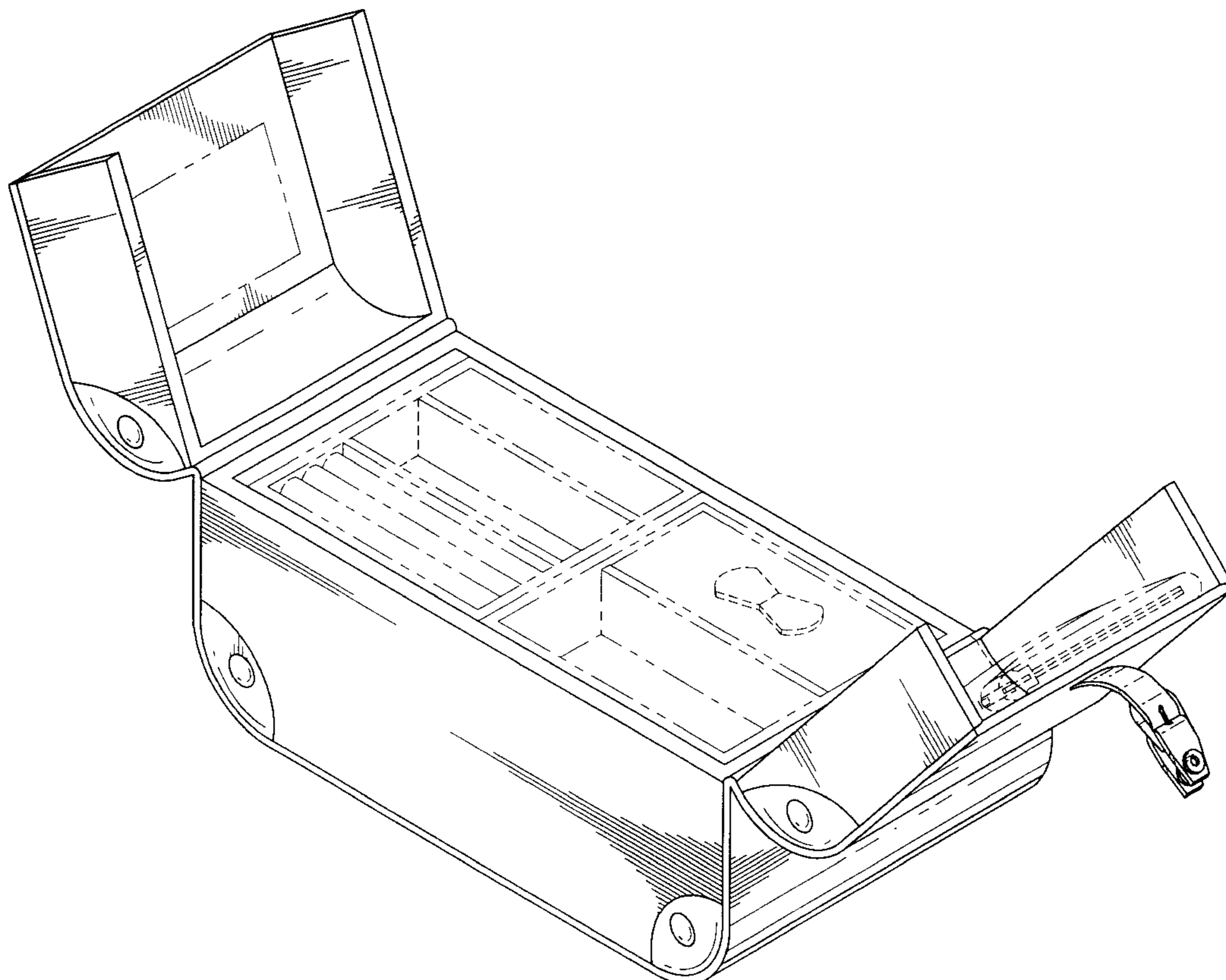
FIG. 3 is a bottom view of the split top jewelry box shown in FIG. 2;

FIG. 4 is a top view of the split top jewelry box shown in FIG. 2, the phantom lines being for illustrative purposes only.

FIG. 5 is a right side elevational view of the split top jewelry box shown in FIG. 2 with the left side elevational view being a mirror image thereof; and,

FIG. 6 is a front view of the split top jewelry box shown in FIG. 2 with the rear view being a mirror image thereof with the phantom lines being for illustrative purposes only.

1 Claim, 4 Drawing Sheets



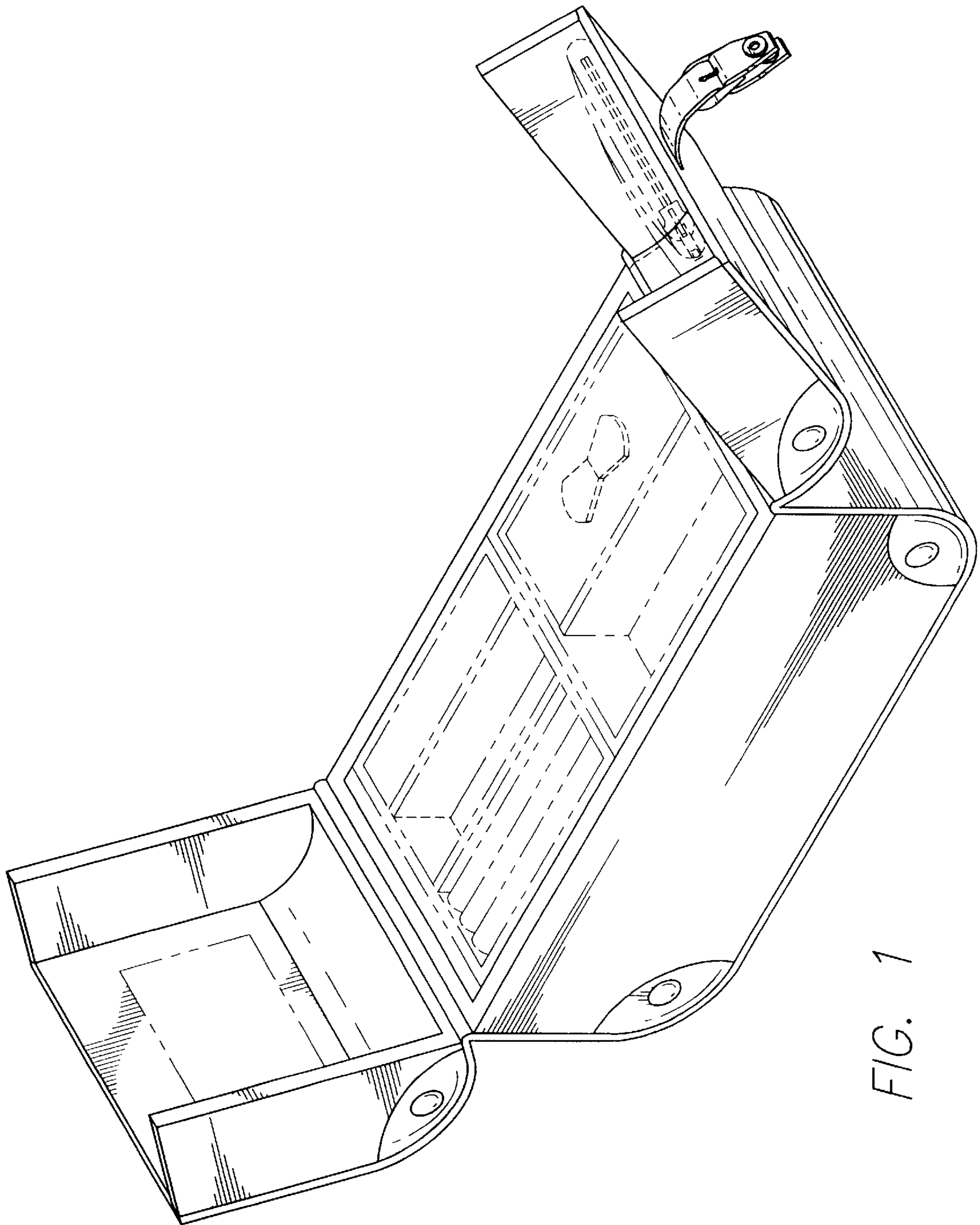


FIG. 1

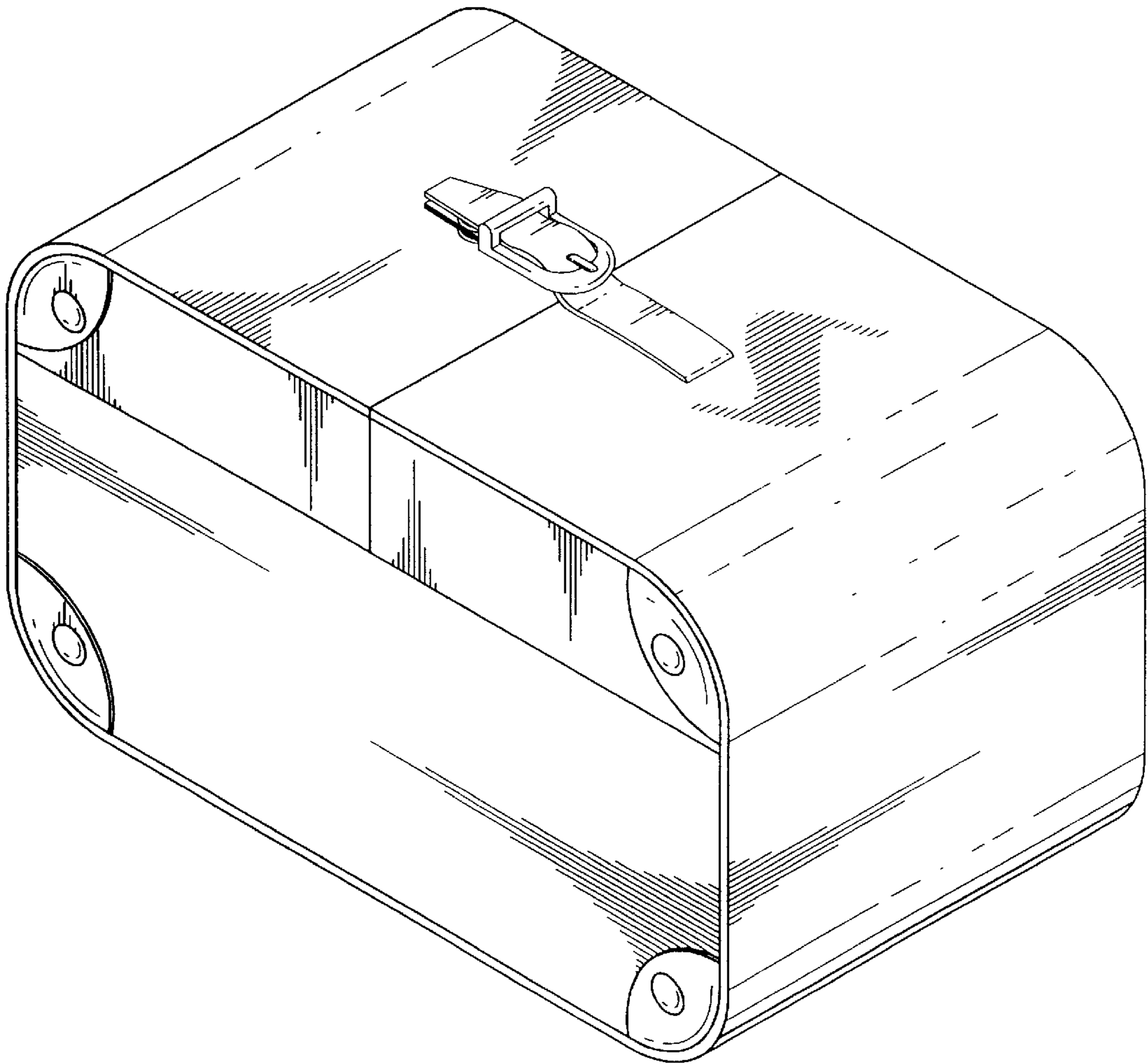


FIG. 2

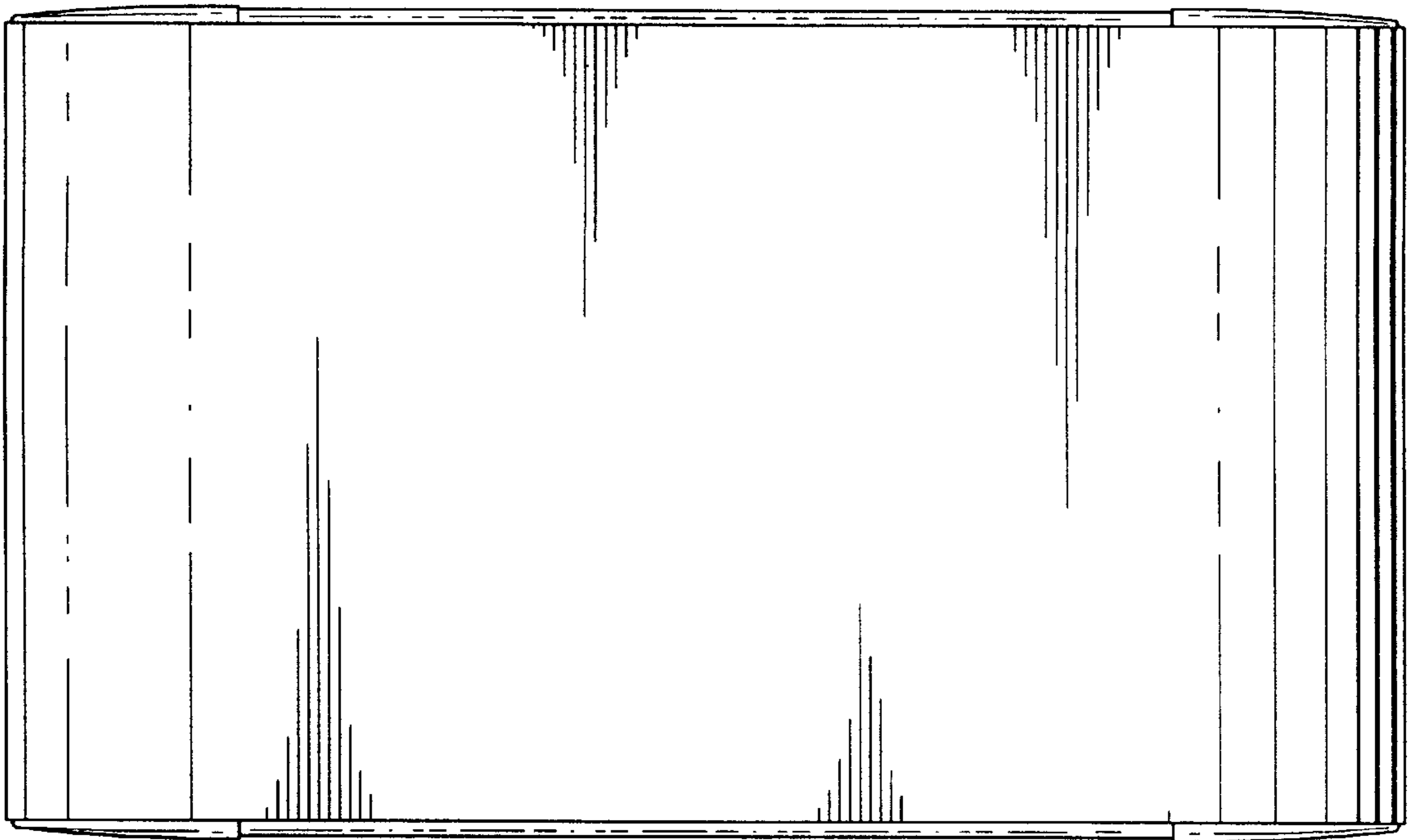


FIG. 3

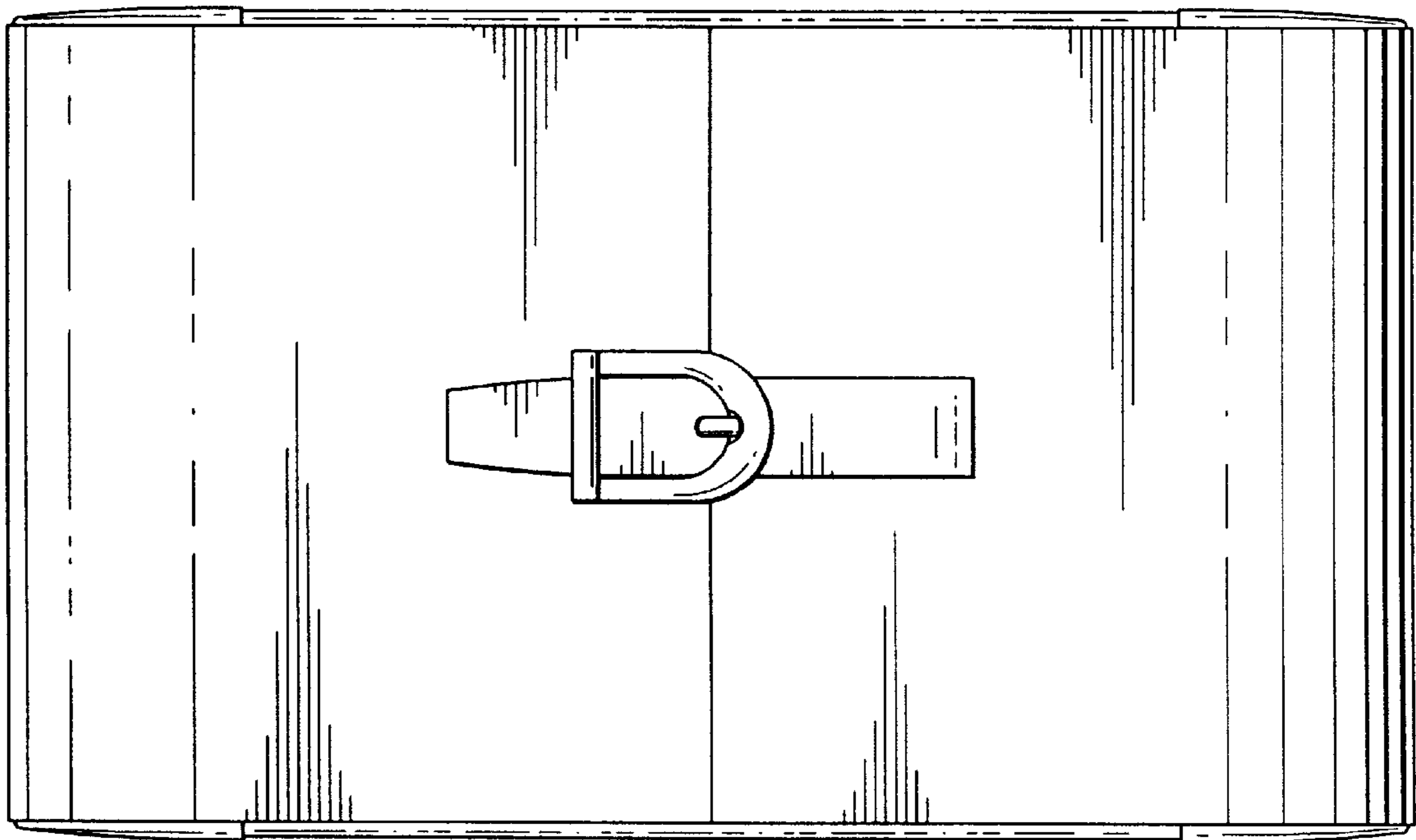


FIG. 4

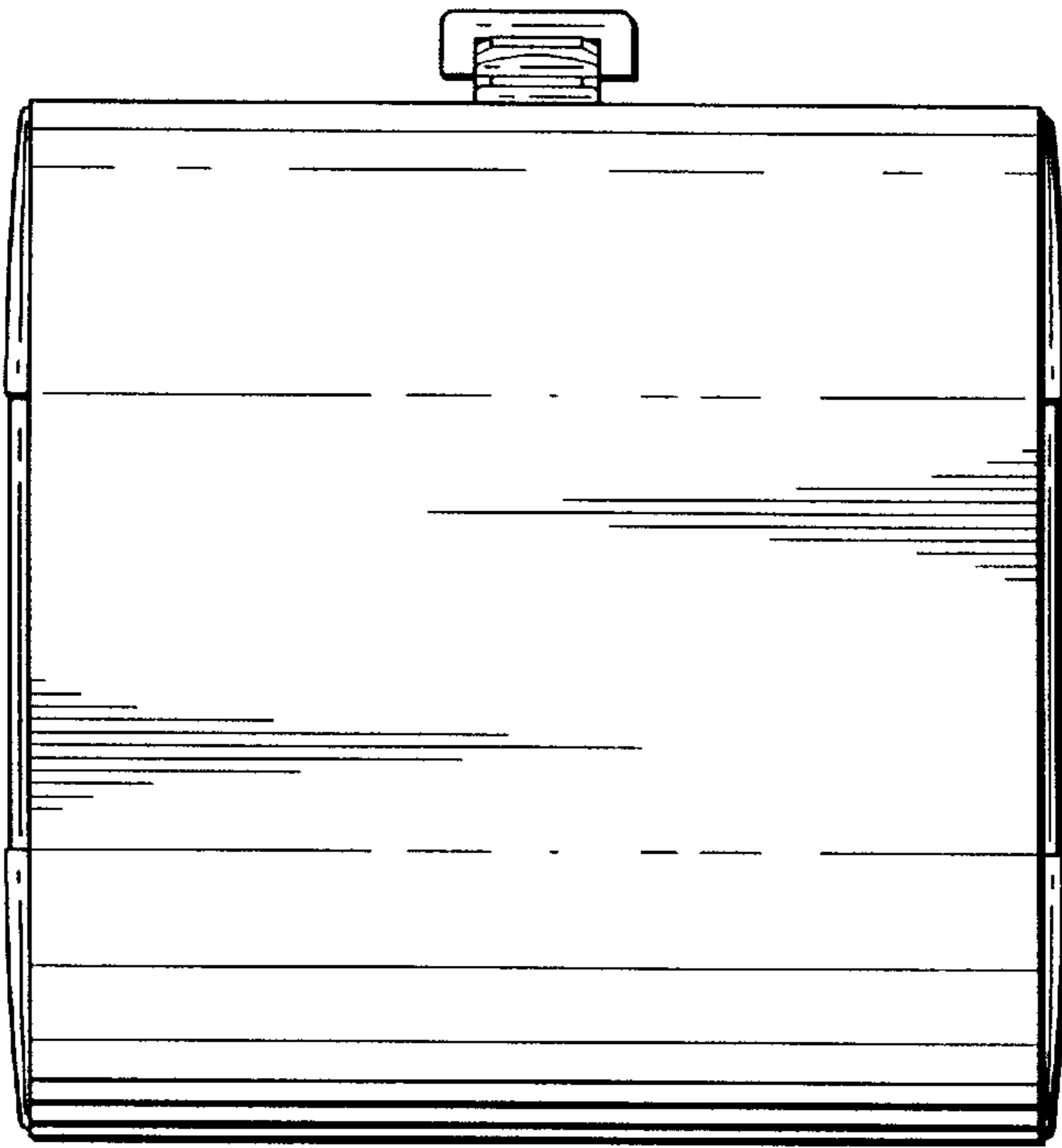


FIG. 5

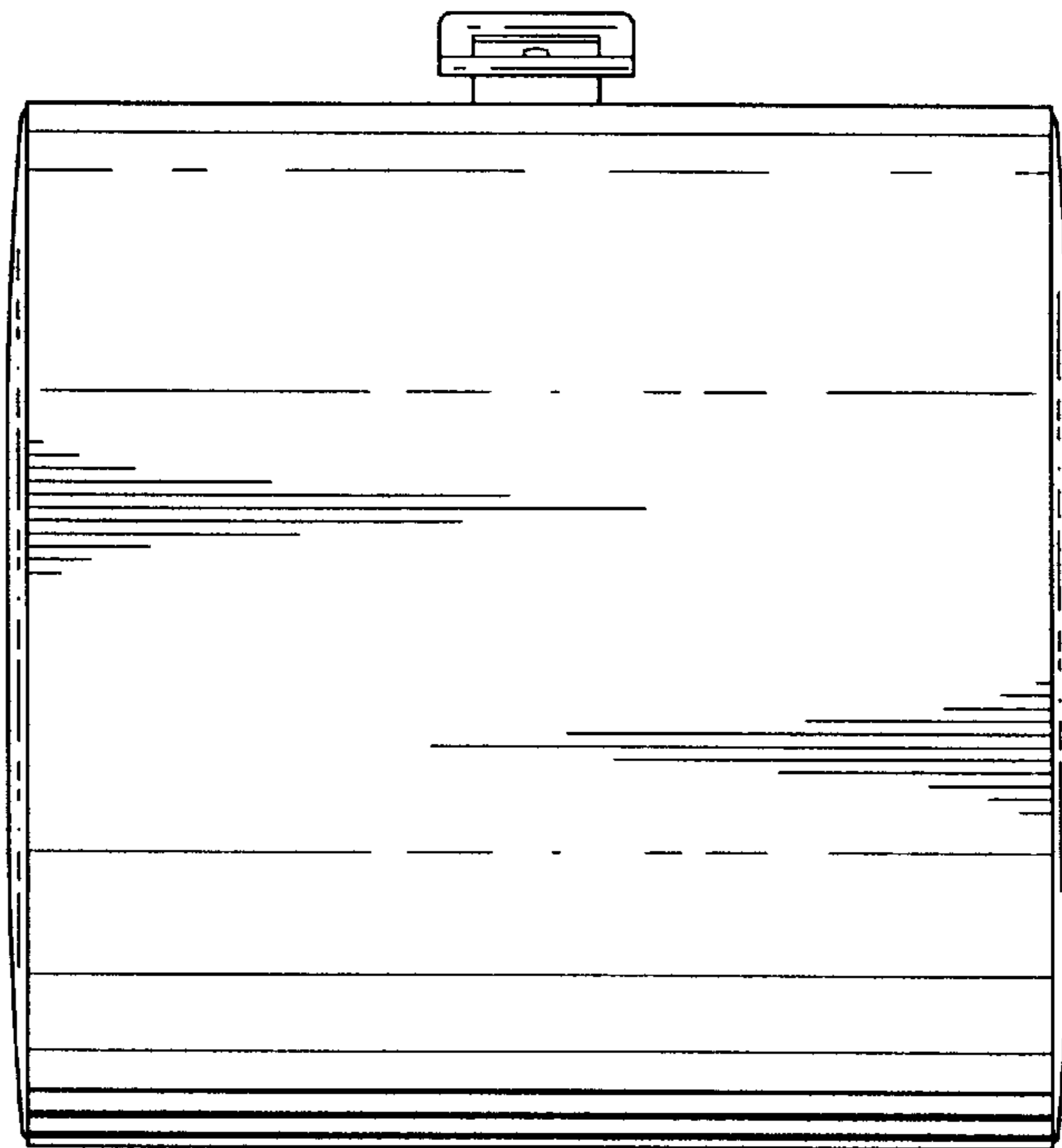


FIG. 6