



US00D474603S

(12) **United States Design Patent**  
**Berenguer**

(10) **Patent No.:** **US D474,603 S**

(45) **Date of Patent:** **\*\* May 20, 2003**

(54) **SHOPPING BASKET**

(76) Inventor: **Antonio Subiros Berenguer**, Modolell,  
6-4o-2a, 08021 Barcelona (ES)

(\*\*) Term: **14 Years**

(21) Appl. No.: **29/167,705**

(22) Filed: **Sep. 20, 2002**

(51) **LOC (7) Cl.** ..... **03-01**

(52) **U.S. Cl.** ..... **D3/307**

(58) **Field of Search** ..... D3/304, 305, 307-309,  
D3/312, 314, 315, 318, 201; 220/675, 752,  
760-764, 768, 769, 773, DIG. 12, DIG. 14;  
206/505, 506, 508, 510, 821

(56) **References Cited**

**U.S. PATENT DOCUMENTS**

- D277,993 S \* 3/1985 Sinchok ..... D3/312
- 4,770,300 A \* 9/1988 Klein ..... 206/506
- D305,473 S \* 1/1990 Yoshikawa ..... D3/309
- D330,964 S \* 11/1992 Hampshire ..... D3/309

- D347,512 S \* 5/1994 Yoshikawa ..... D3/304
- D395,362 S \* 6/1998 Fink et al. .... D3/307

\* cited by examiner

*Primary Examiner*—Louis S. Zarfes

*Assistant Examiner*—Deanne Levy

(74) *Attorney, Agent, or Firm*—Nath & Associates PLLC;  
Gary M. Nath

(57) **CLAIM**

The ornamental design for a shopping basket, as shown and described.

**DESCRIPTION**

- FIG. 1 is a perspective view of the shopping basket with raised handle;
- FIG. 2 is a perspective view of the shopping basket with lowered handle;
- FIG. 3 is an underneath view of the shopping basket;
- FIG. 4 is a front view of the shopping basket;
- FIG. 5 is a left side view of the shopping basket;
- FIG. 6 is a top view of the shopping basket;
- FIG. 7 is a rear view of the shopping basket; and,
- FIG. 8 is a right side view of the shopping basket.

**1 Claim, 4 Drawing Sheets**

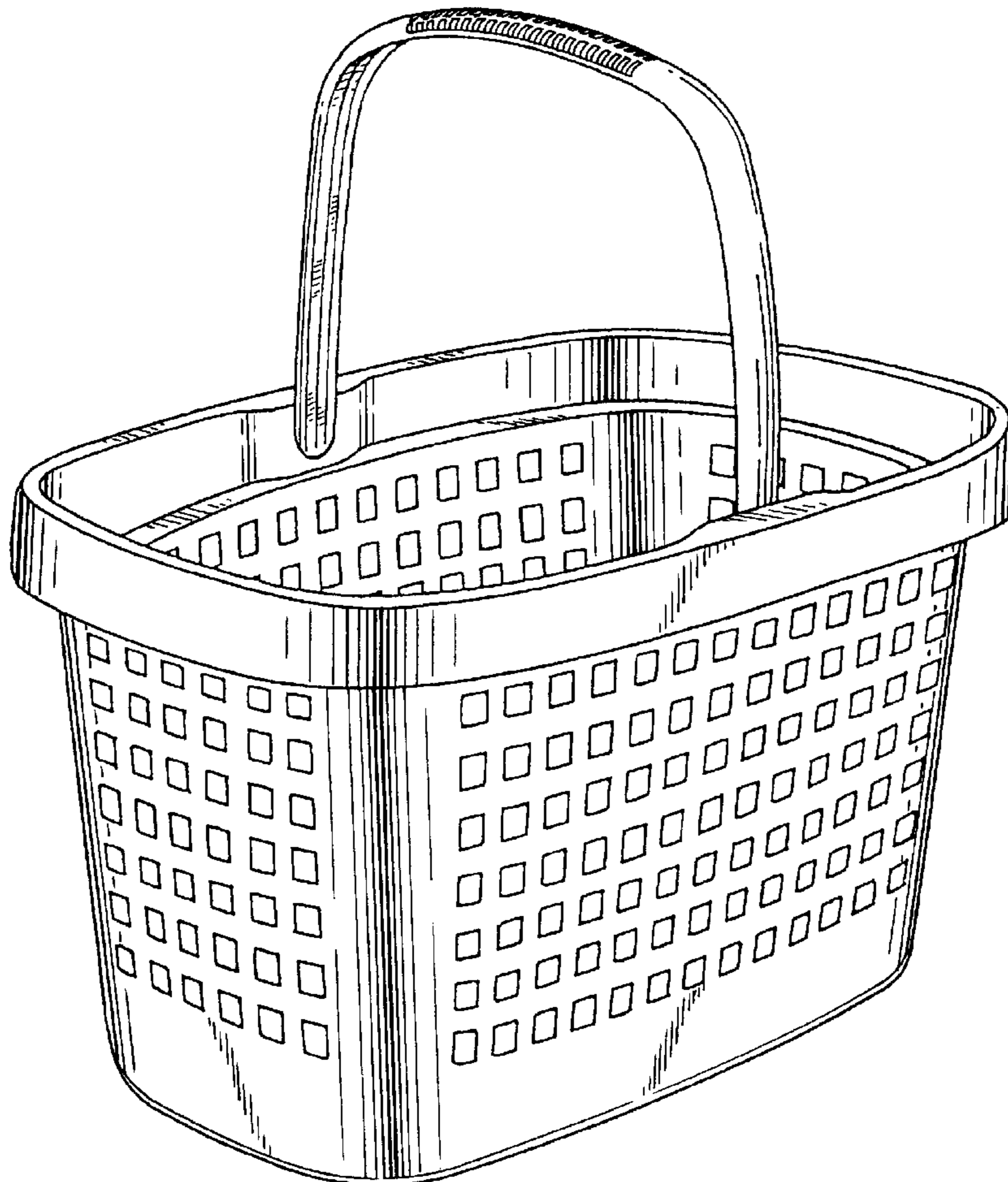


FIG. 1

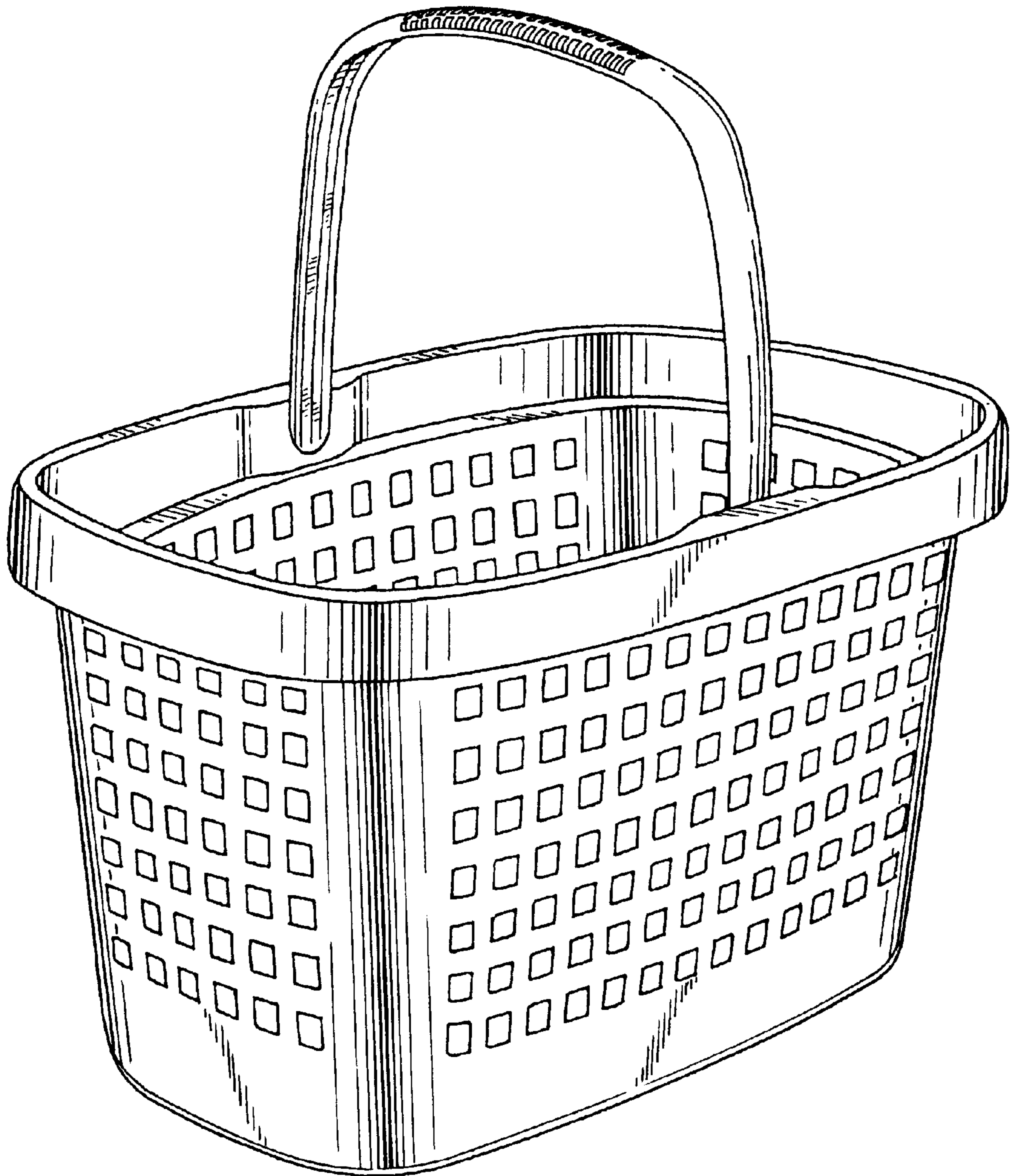


FIG. 2

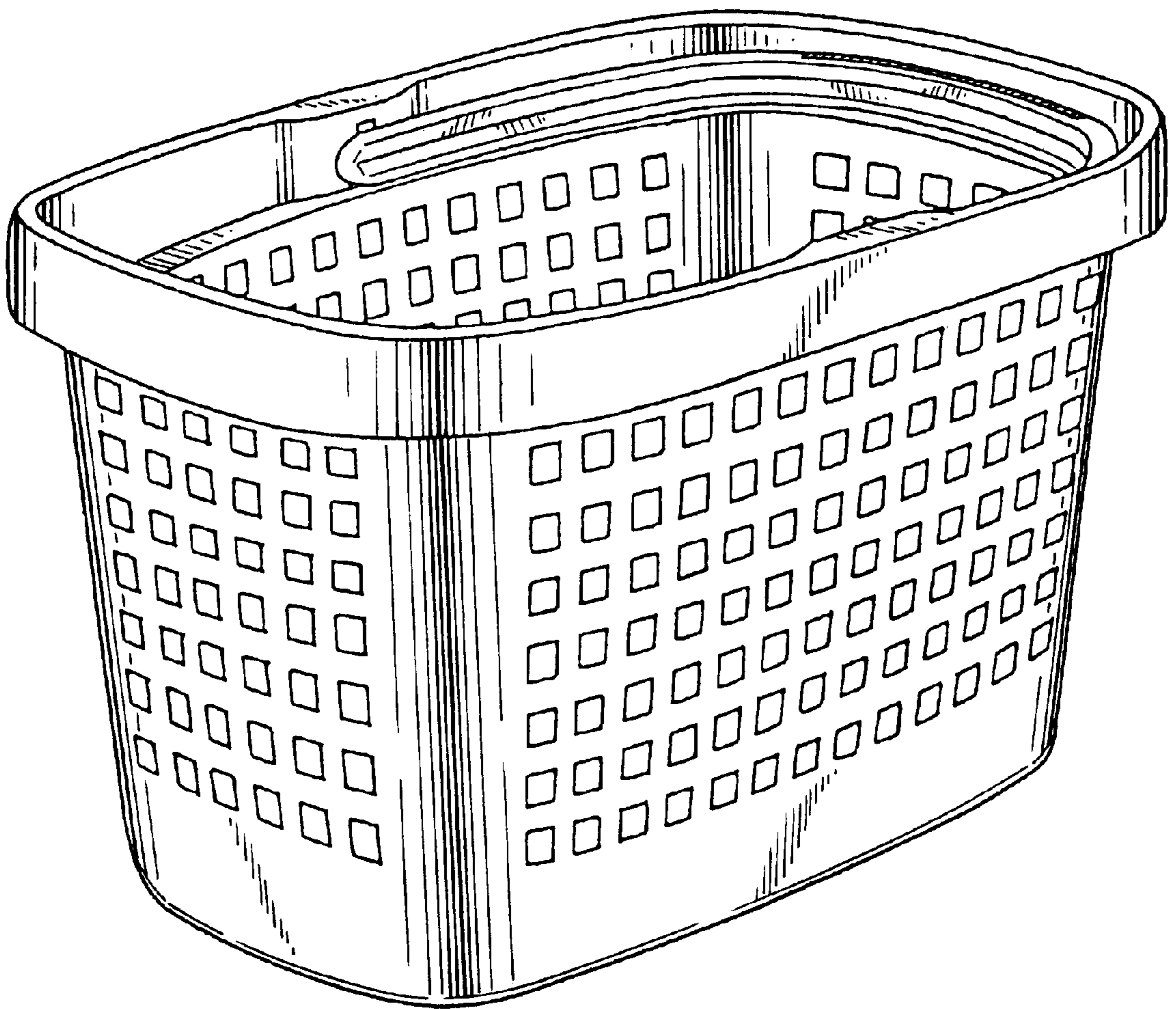


FIG. 3

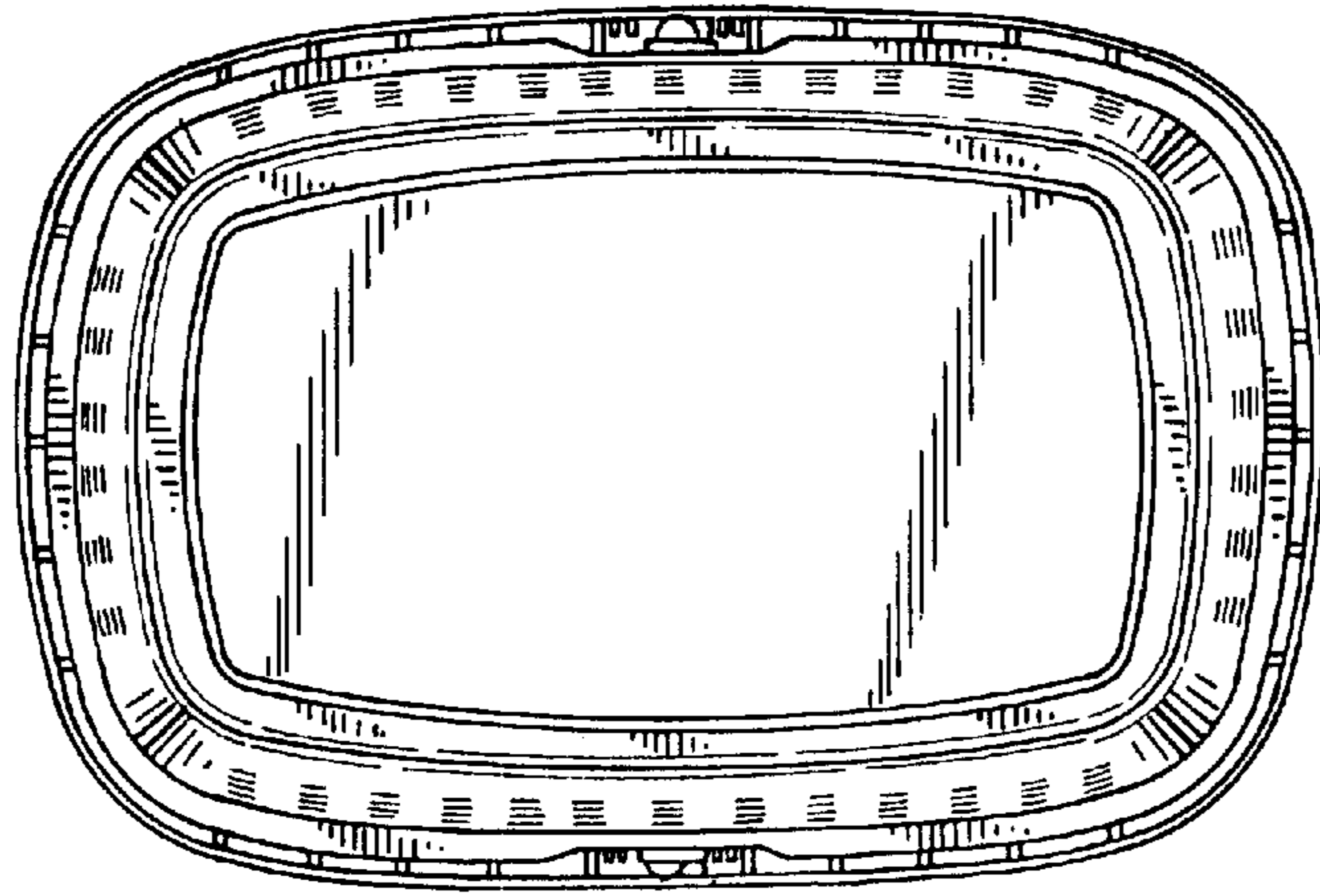


FIG. 4

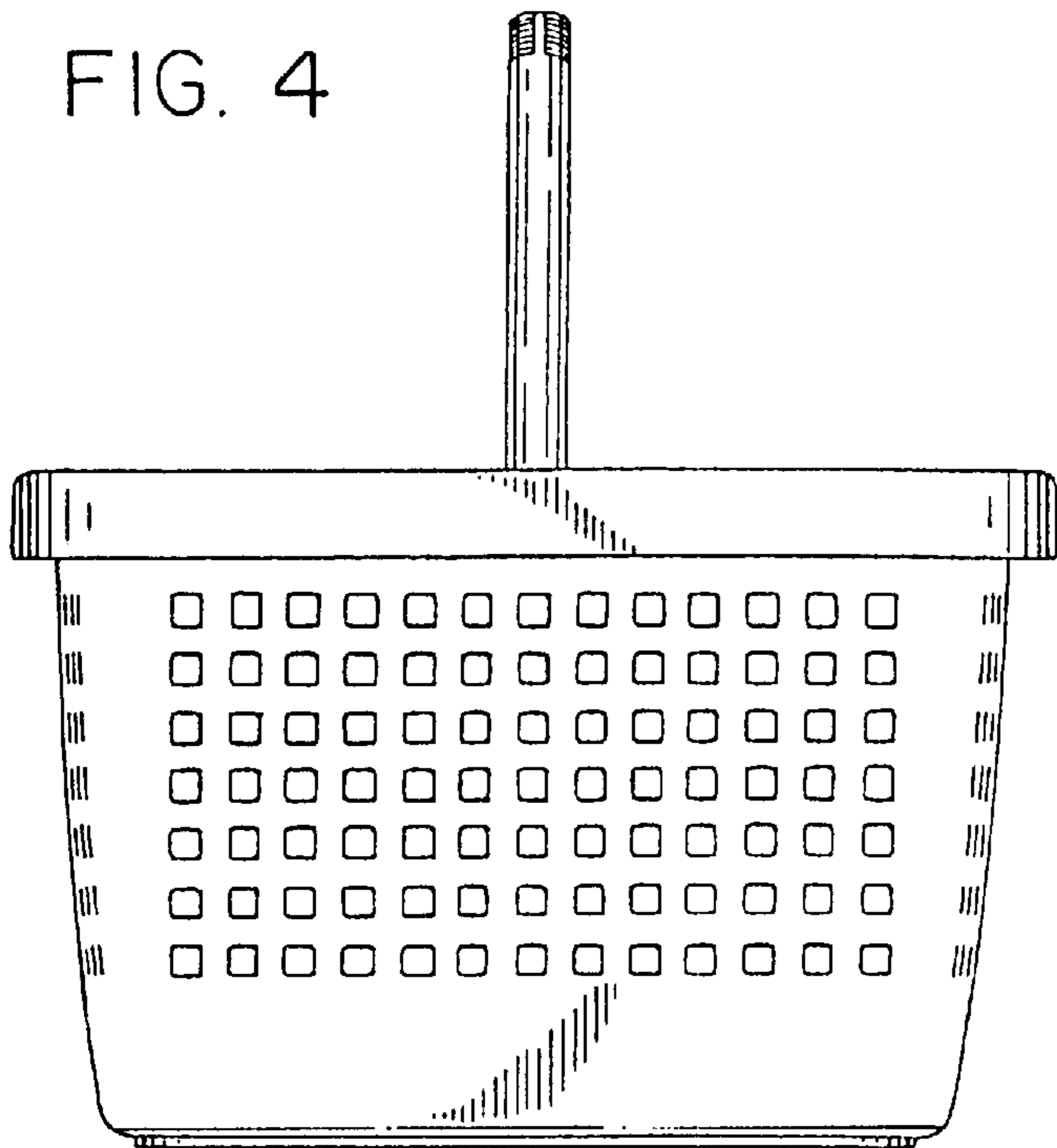


FIG. 5

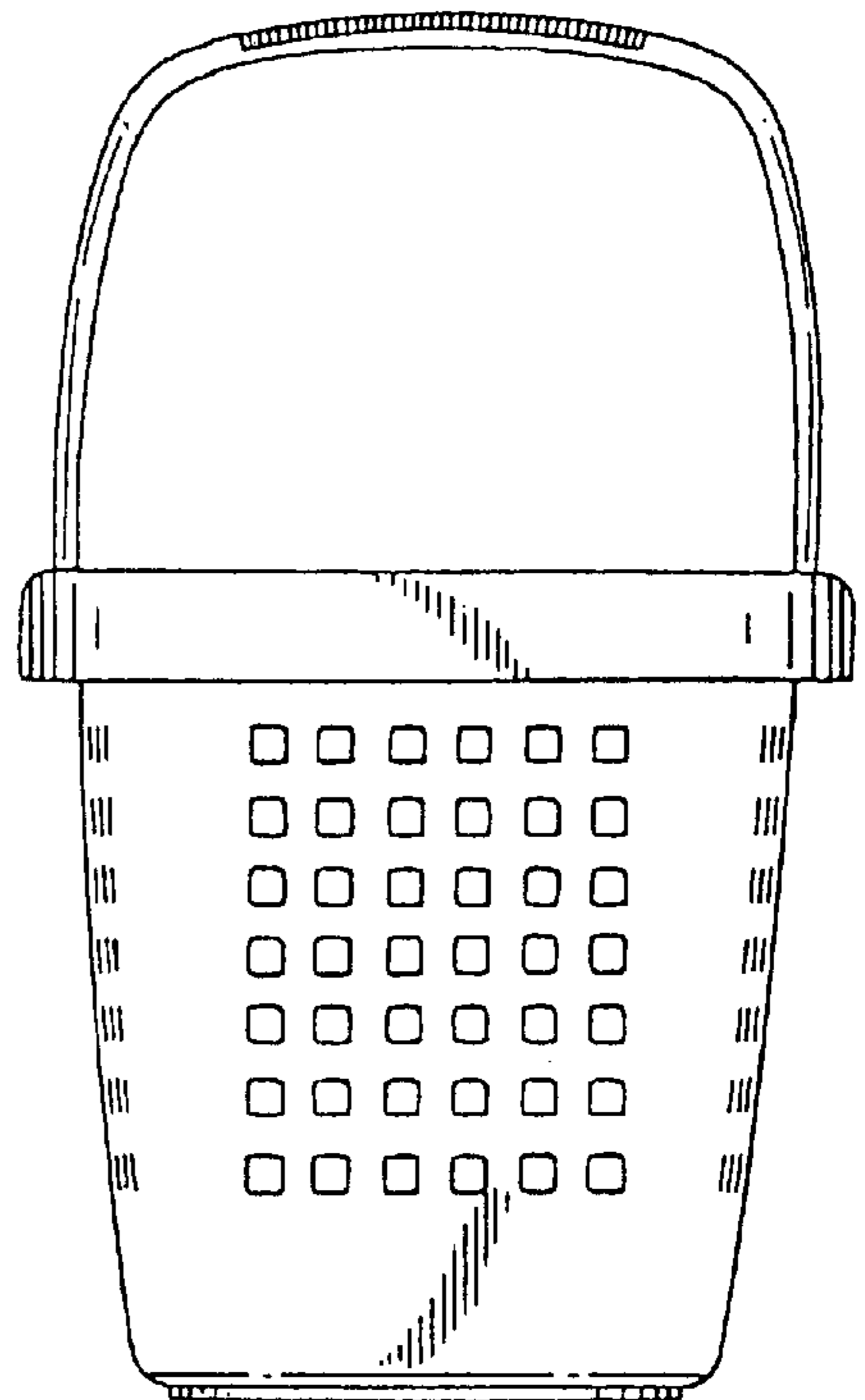


FIG. 6

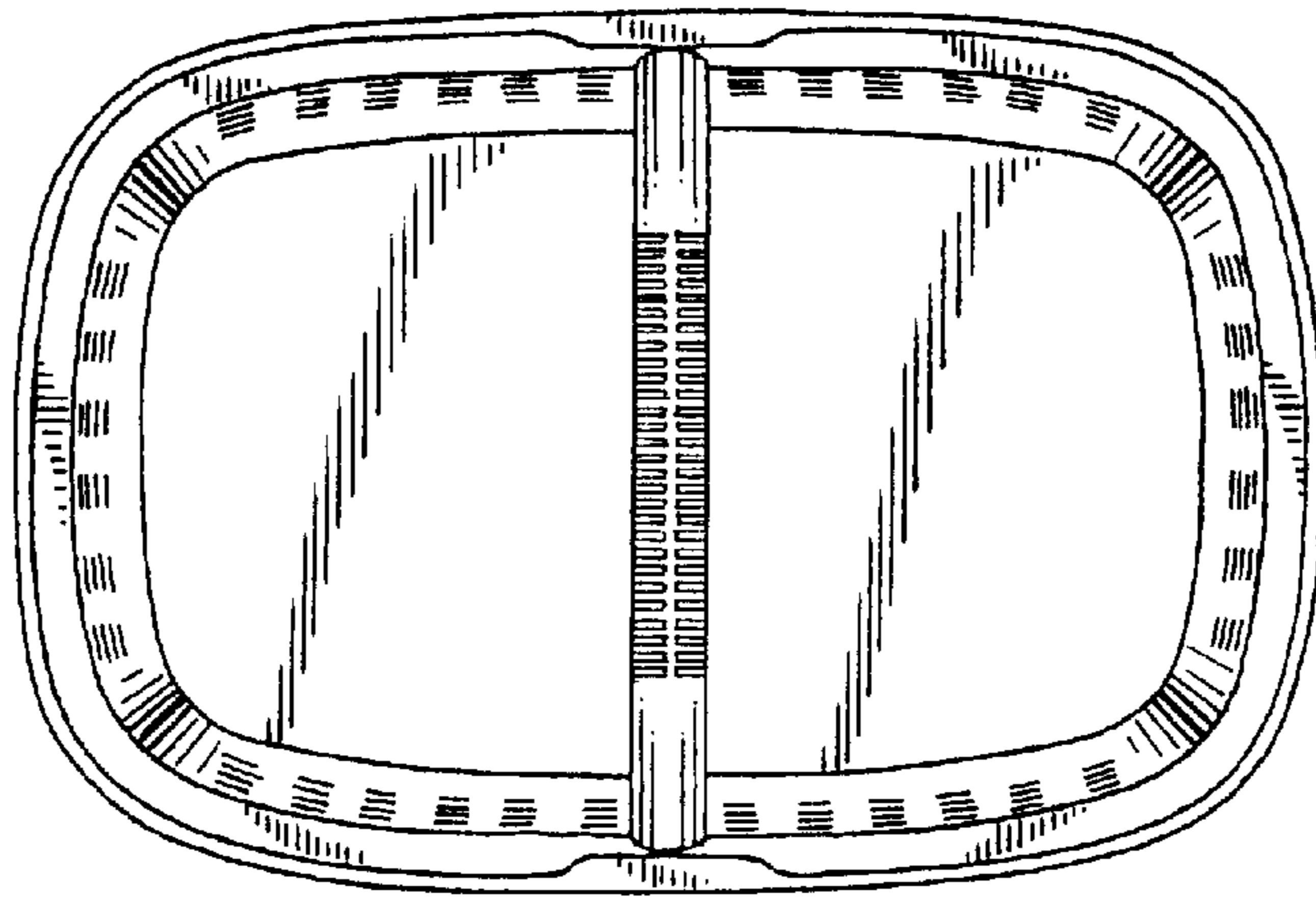


FIG. 7

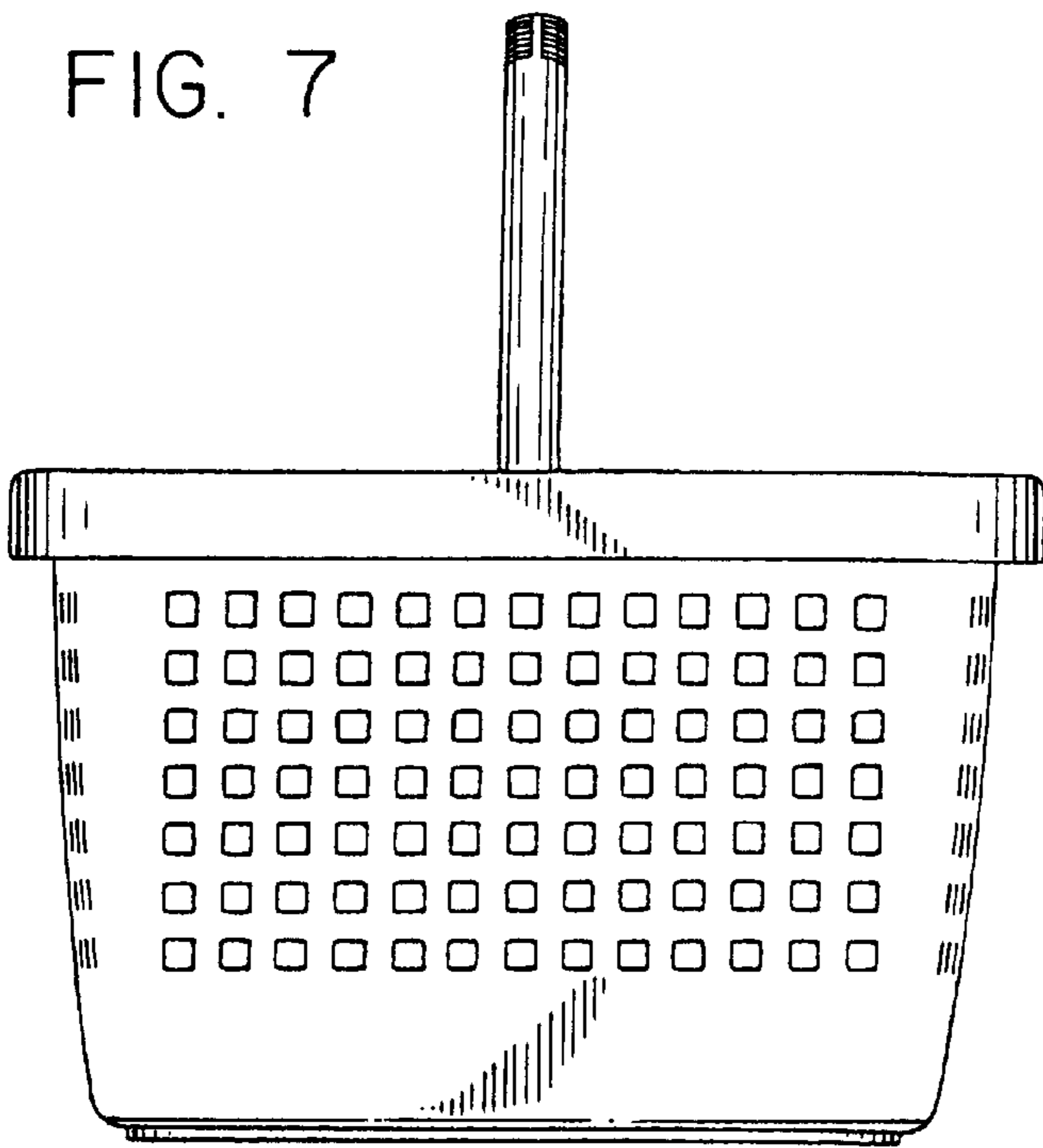


FIG. 8

