



US00D474602S

(12) **United States Design Patent**
Kranz

(10) **Patent No.:** **US D474,602 S**

(45) **Date of Patent:** **** May 20, 2003**

(54) **AUTOMOBILE TRUNK ORGANIZER**

Solutions Products Work Catalog, p. 54.

(75) Inventor: **Michelle R. Kranz**, Boulder, CO (US)

* cited by examiner

(73) Assignee: **Case Logic, Inc**, Longmont, CO (US)

Primary Examiner—Philip S. Hyder
(74) *Attorney, Agent, or Firm*—Sheridan Ross P.C.

(**) Term: **14 Years**

(21) Appl. No.: **29/155,017**

(22) Filed: **Jan. 31, 2002**

(51) **LOC (7) Cl.** **03-01**

(52) **U.S. Cl.** **D3/303; D3/232**

(58) **Field of Search** D3/232, 233, 234,
D3/245, 246, 303; 150/107, 111; 383/104,
117, 119

(56) **References Cited**

U.S. PATENT DOCUMENTS

D397,871 S	*	9/1998	Bellehchilli	D3/303
D403,159 S	*	12/1998	Bellehchili	D3/232
D422,411 S	*	4/2000	Martin	D3/201
D423,215 S	*	4/2000	Furlanetto	D3/232
D426,060 S	*	6/2000	Chapelier	D3/232
D433,803 S	*	11/2000	Haapala	D3/232
D457,317 S	*	5/2002	Steere	D3/303

OTHER PUBLICATIONS

Seattle Sports Catalog 2002, Cover page and p. 15.
Taiwan Export Express, General Merchandise Mail Order
Catalog.

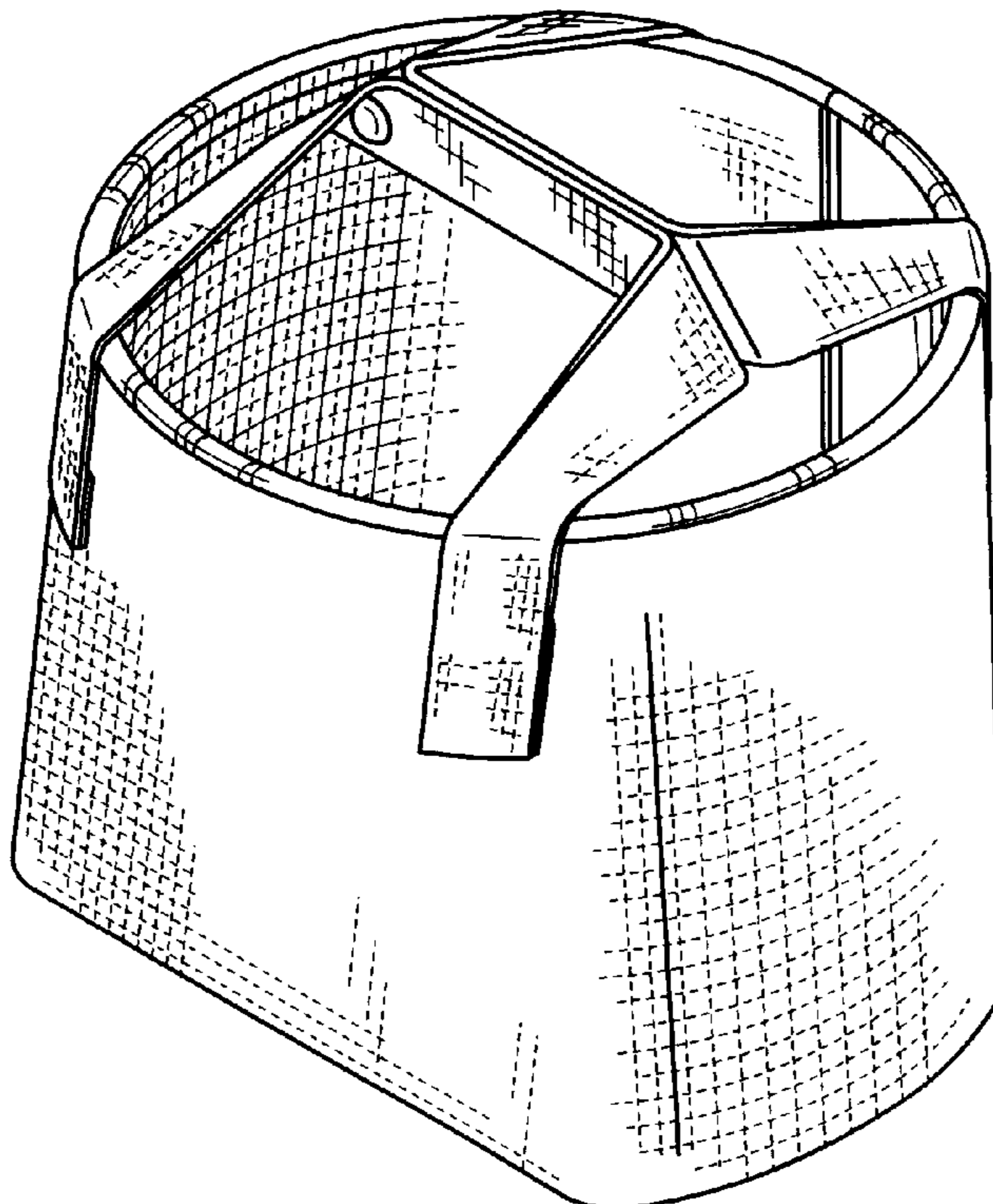
(57) **CLAIM**

The ornamental design for an automobile trunk organizer, as shown and described.

DESCRIPTION

FIG. 1 is a front perspective view of an automobile trunk organizer, showing my new design in an open position; FIG. 2 is a front perspective view of the invention illustrated in FIG. 1, shown in a collapsed position; FIG. 3 is a top plan view of the invention illustrated in FIG. 1; FIG. 4 is a front elevation view of the invention illustrated in FIG. 1; FIG. 5 is a right elevation view of the invention illustrated in FIG. 1; FIG. 6 is a rear elevation view of the invention illustrated in FIG. 1; FIG. 7 is a left elevation view of the invention illustrated in FIG. 1; and, FIG. 8 is a bottom plan view of the invention illustrated in FIG. 1.

1 Claim, 2 Drawing Sheets



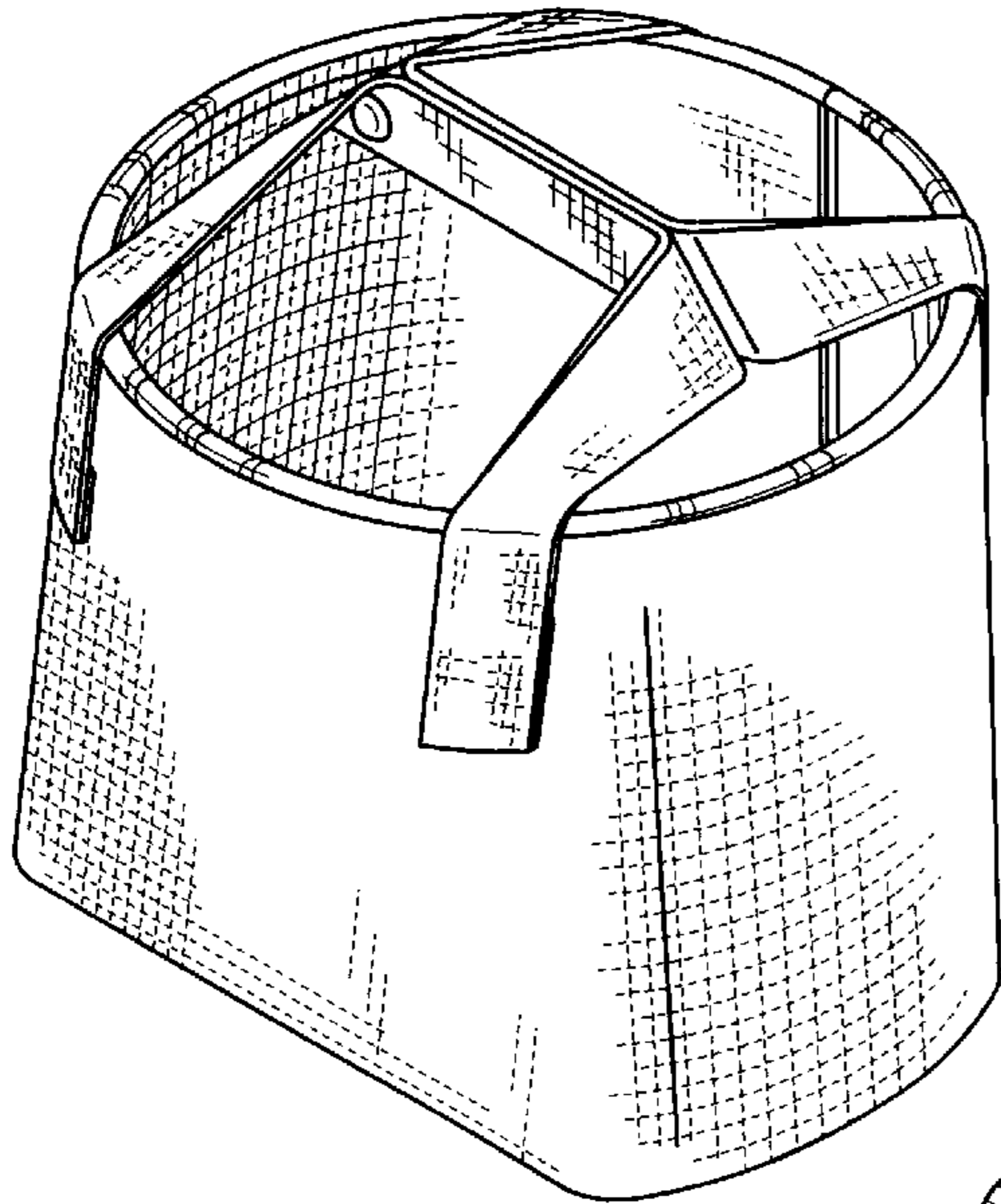


Fig. 1

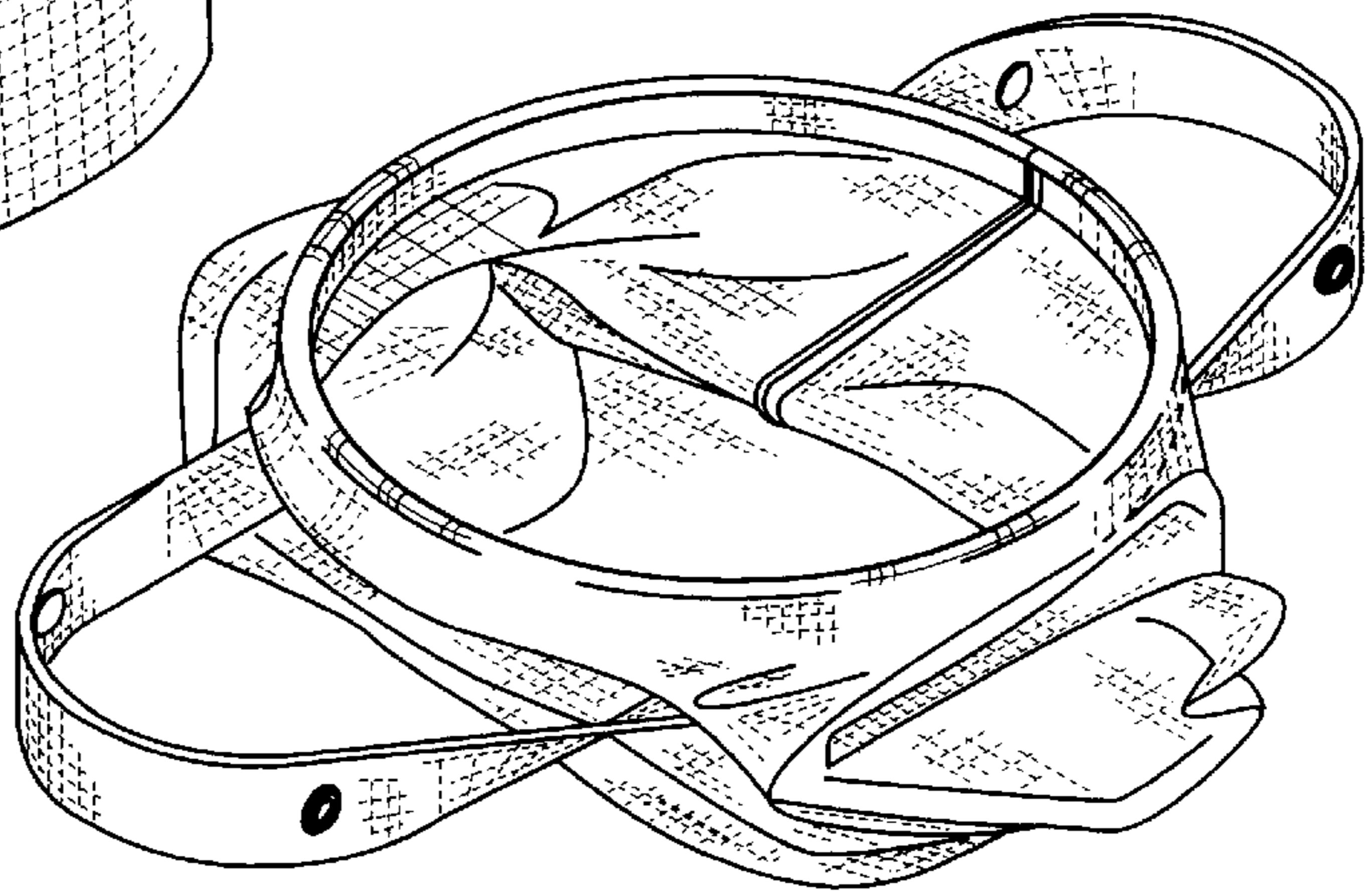


Fig. 2

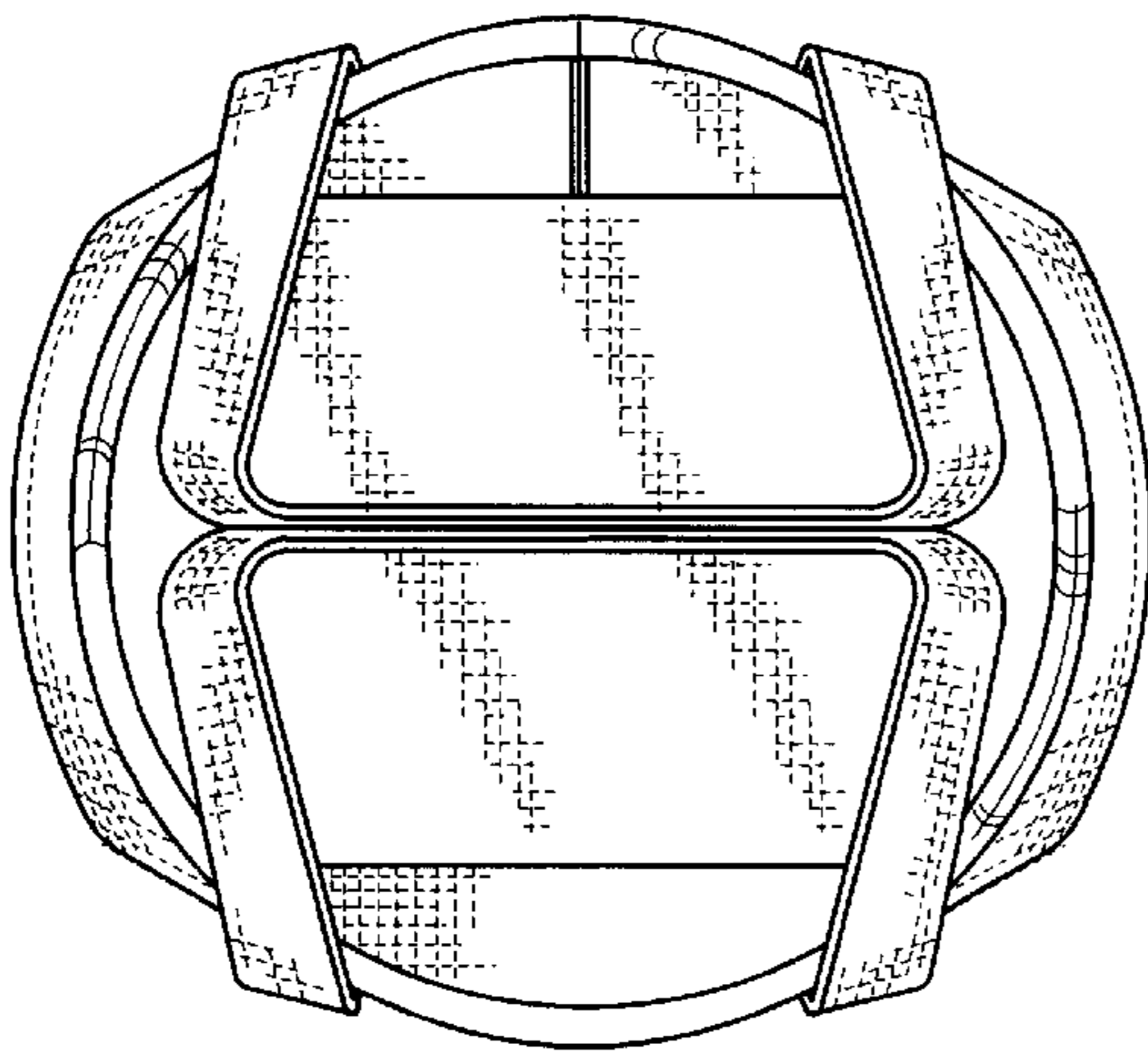


Fig. 3

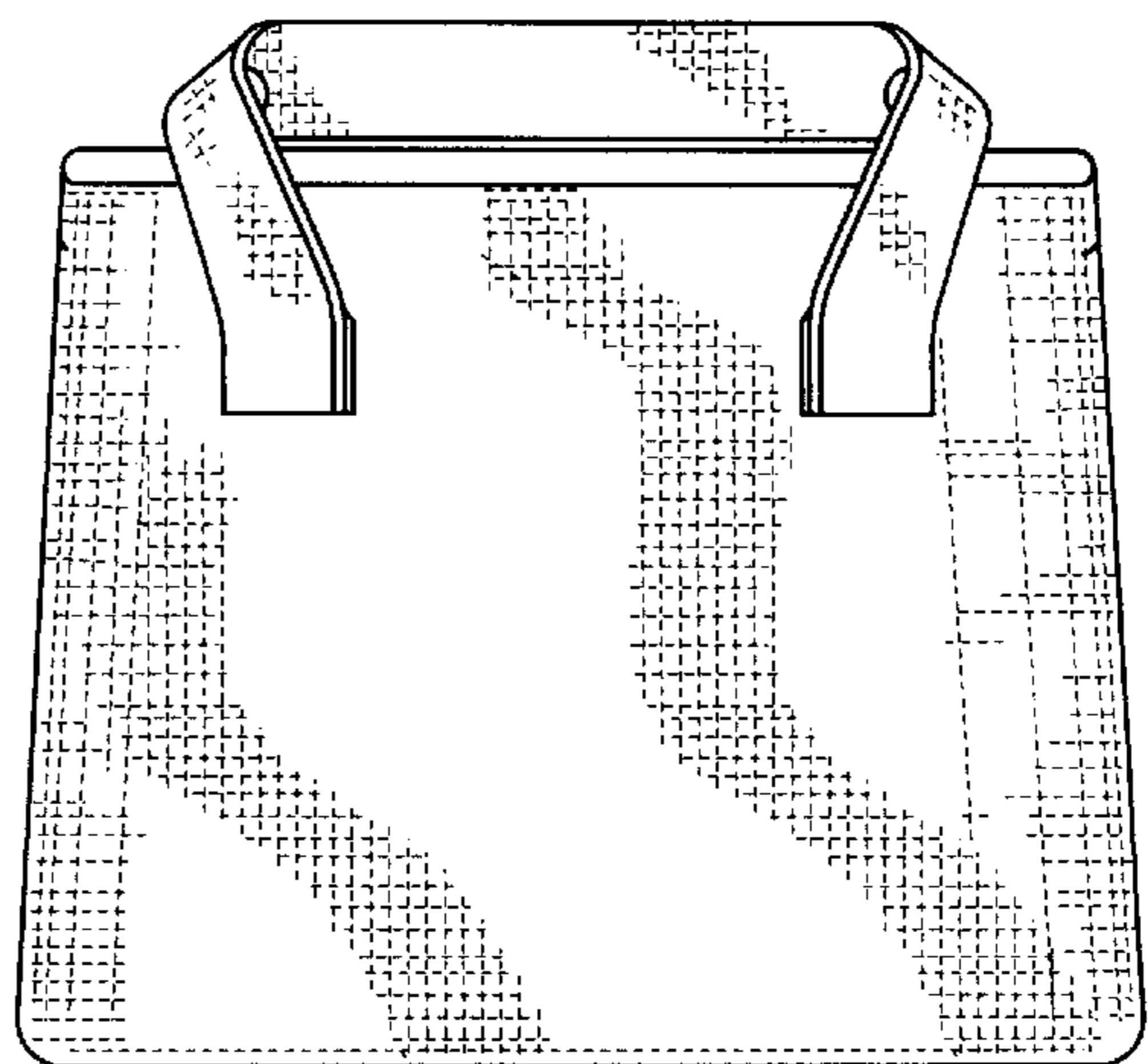


Fig. 4

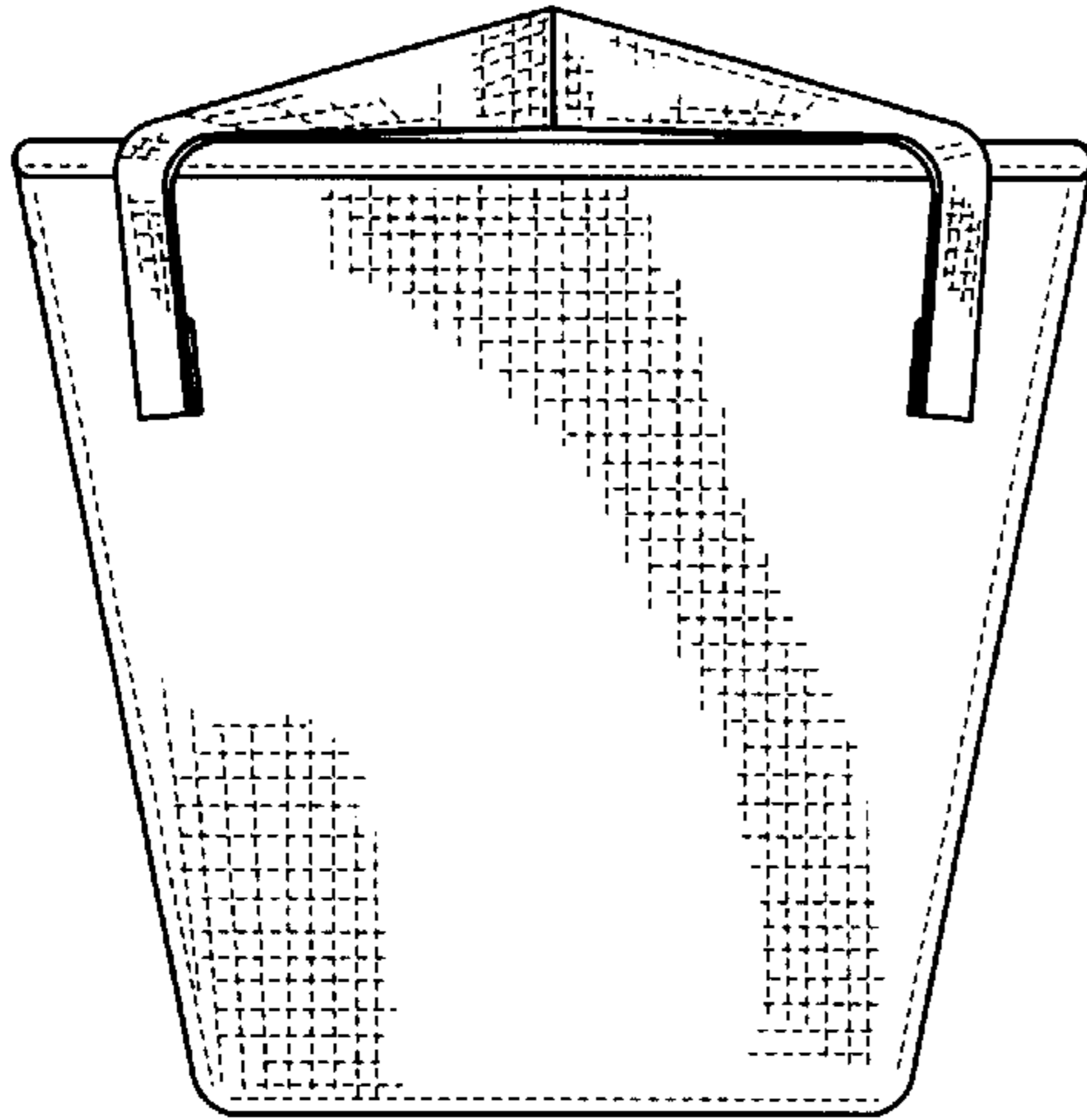


Fig. 5

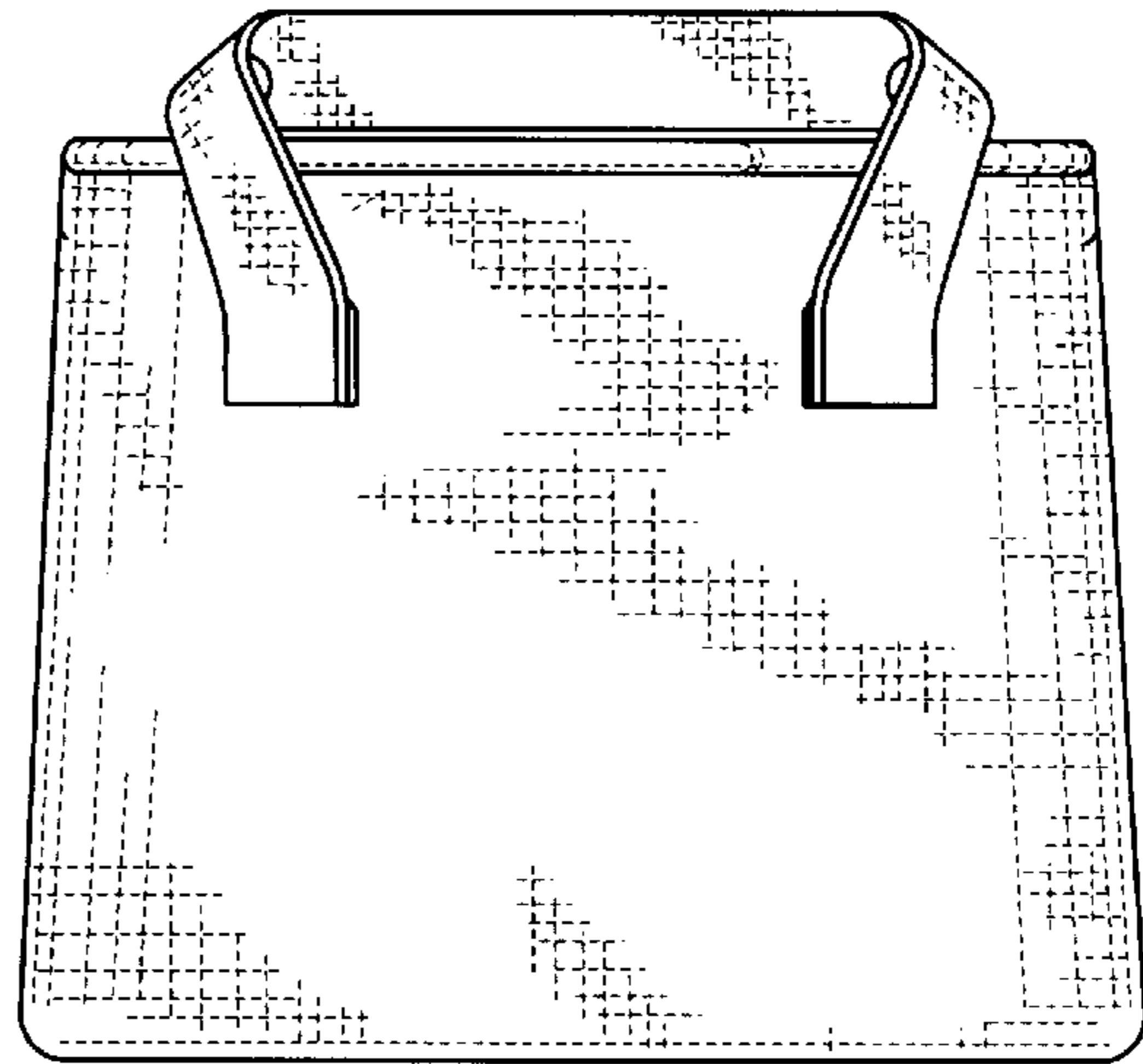


Fig. 6

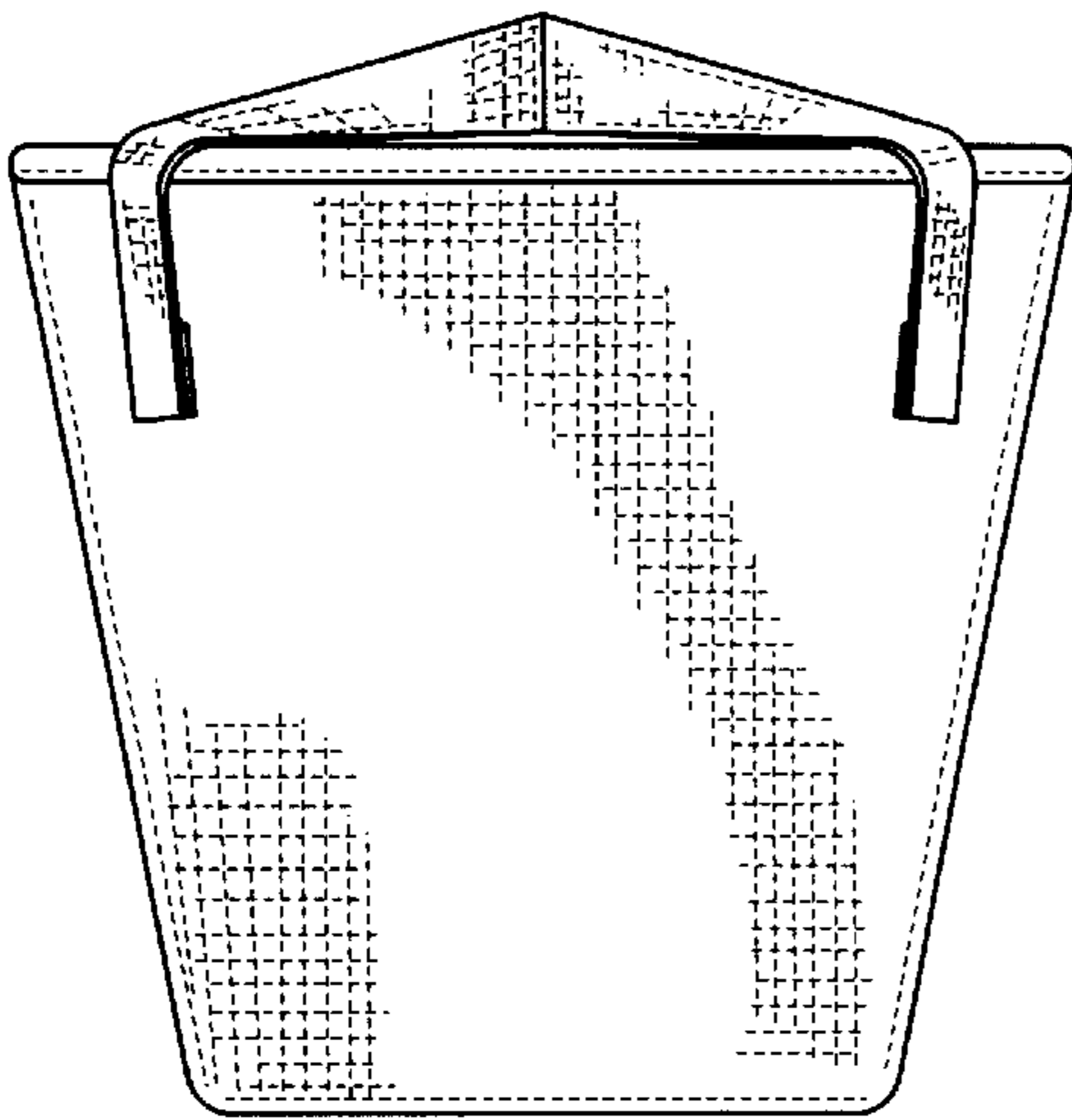


Fig. 7

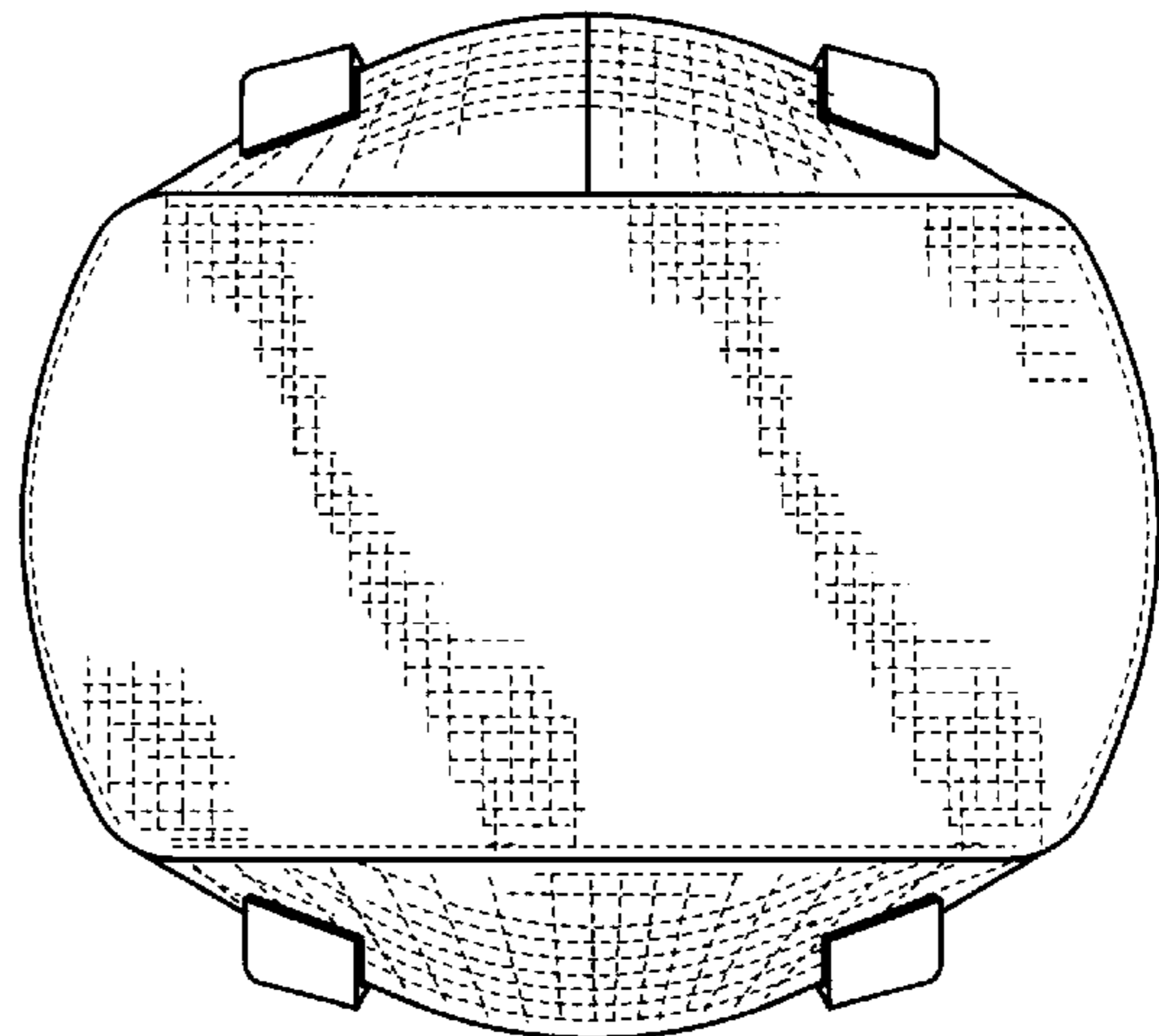


Fig. 8