



US00D474598S

(12) **United States Design Patent**
Platte, III

(10) **Patent No.:** **US D474,598 S**

(45) **Date of Patent:** **** May 20, 2003**

(54) **STAMP AND ACCESSORIES TOTE/
ORGANIZER**

6,109,403 A * 8/2000 Godshaw 190/115
D455,262 S * 4/2002 Krulik D3/279
D456,993 S * 5/2002 Lin D3/279

(75) Inventor: **Curtis Richard Platte, III**, Simi Valley,
CA (US)

* cited by examiner

(73) Assignee: **Westrim, Inc.**, Van Nuys, CA (US)

Primary Examiner—Philip S. Hyder
(74) *Attorney, Agent, or Firm*—Scott W. Kelley; Kelly
Bauersfeld Lowry & Kelley, LLP

(**) Term: **14 Years**

(21) Appl. No.: **29/165,311**

(57) **CLAIM**

(22) Filed: **Aug. 7, 2002**

The ornamental design for a stamp and accessories tote/
organizer, as shown and described.

(51) **LOC (7) Cl.** **03-01**

DESCRIPTION

(52) **U.S. Cl.** **D3/279; D3/283**

(58) **Field of Search** D3/273, 276, 279,
D3/283, 284, 285, 287, 289, 288; 190/18 A,
100, 109, 110, 111, 112, 113, 114

FIG. 1 is a front, top and right side perspective view of a
stamp and accessories tote/organizer embodying my new
design;

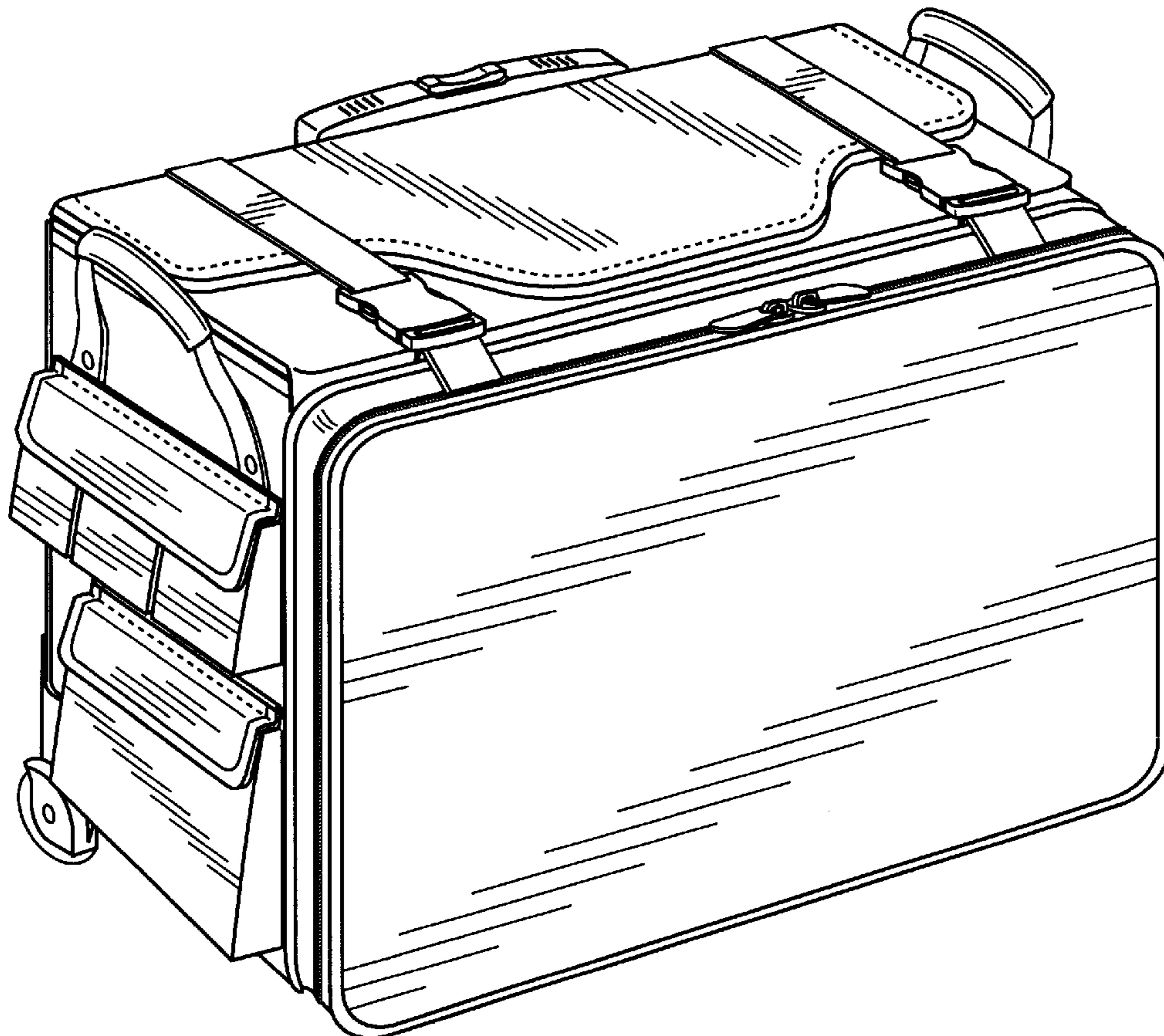
(56) **References Cited**

U.S. PATENT DOCUMENTS

D381,511 S * 7/1997 Krulik D3/279
D387,625 S * 12/1997 Kai Fai D3/279
5,762,170 A * 6/1998 Shyr et al. 190/109
D414,932 S * 10/1999 Platte, III D3/276
6,059,079 A * 5/2000 Krulik 190/112
D427,768 S * 7/2000 Bogert D3/279

FIG. 2 is a front elevational view thereof;
FIG. 3 is a rear elevational view thereof;
FIG. 4 is a rear elevational view thereof with the handle
extended;
FIG. 5 is a right side elevational view thereof;
FIG. 6 is a left side elevational view thereof;
FIG. 7 is a top plan view thereof; and,
FIG. 8 is a bottom plan view thereof.

1 Claim, 5 Drawing Sheets



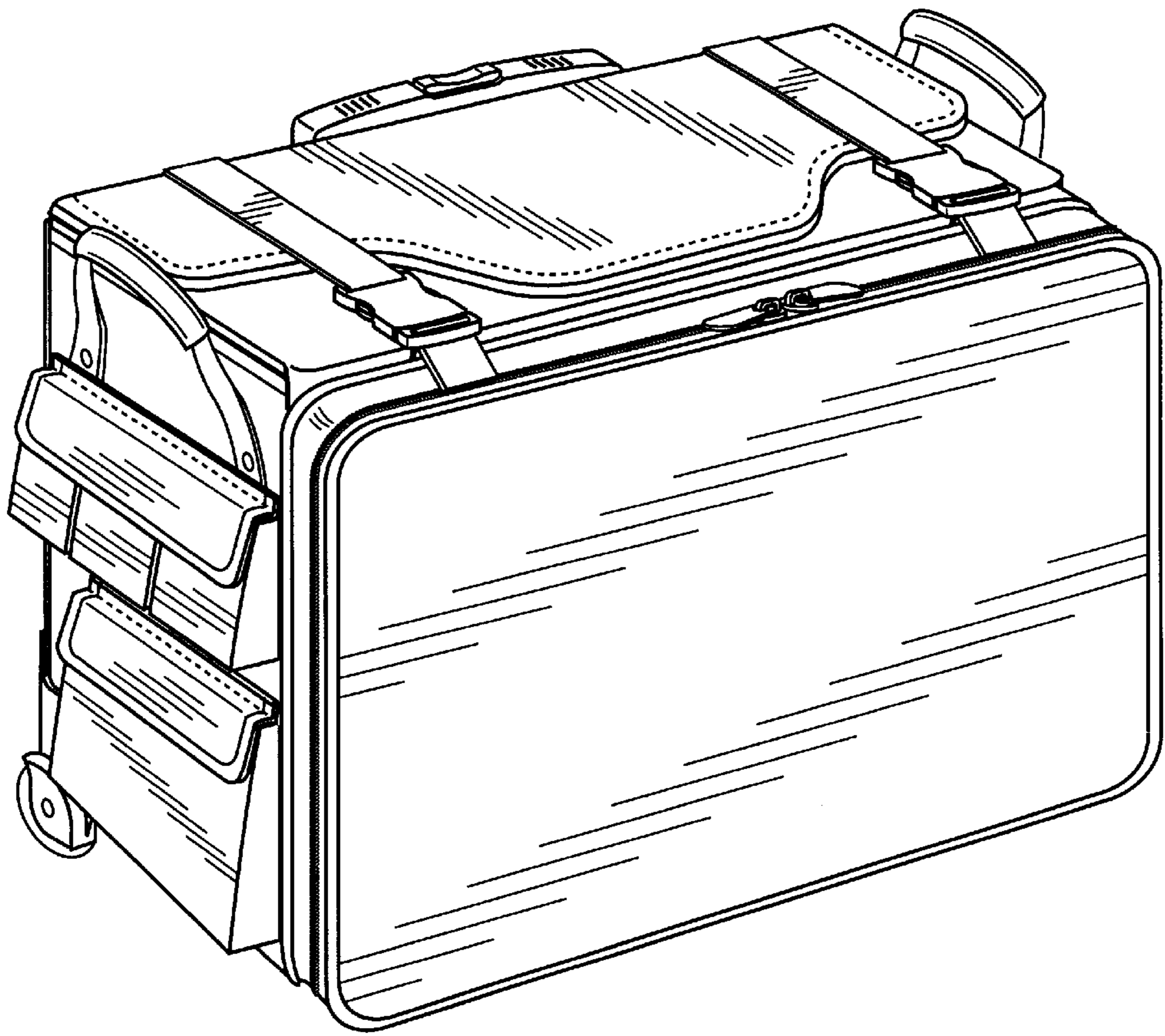


FIG. 1

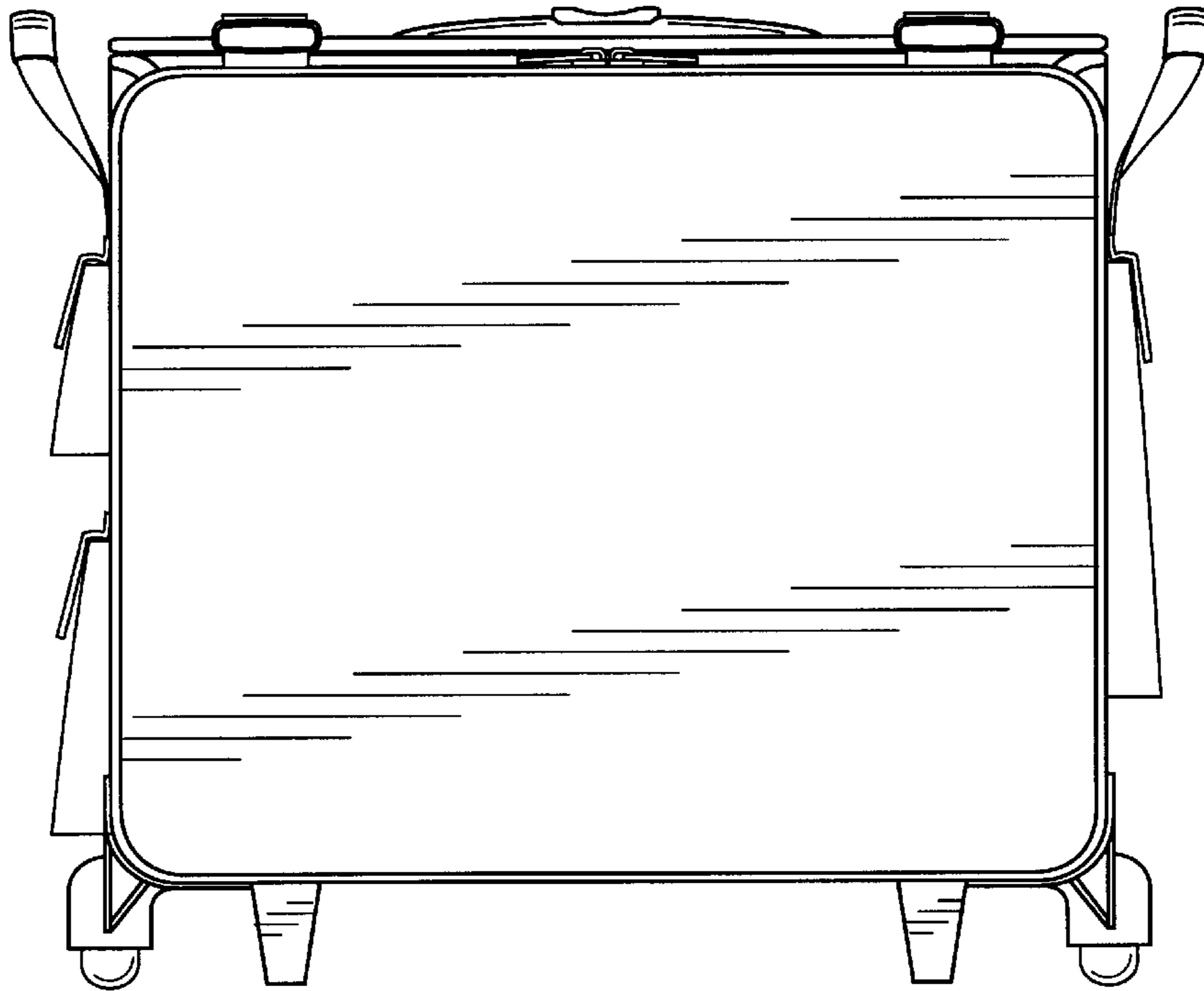


FIG. 2

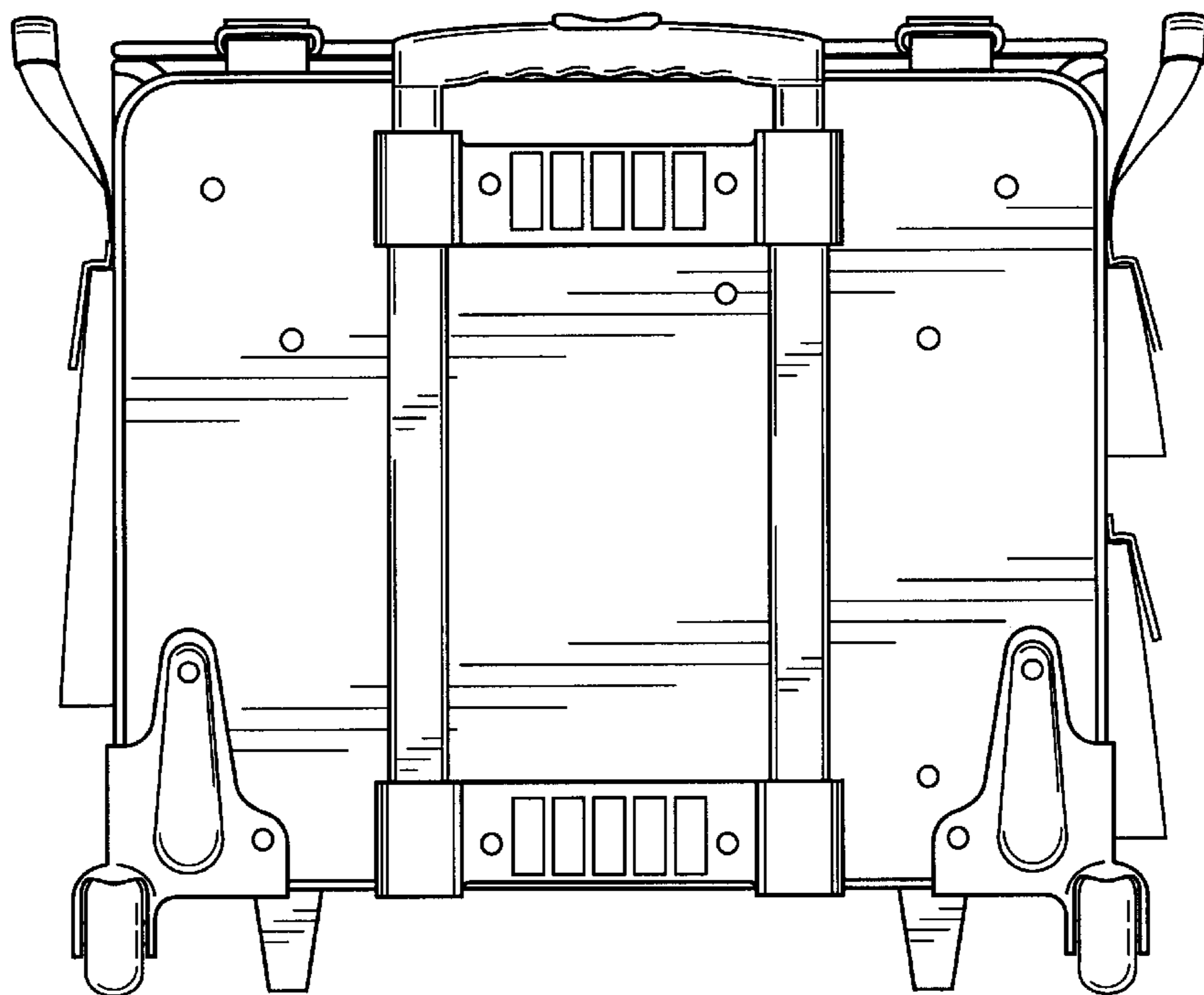


FIG. 3

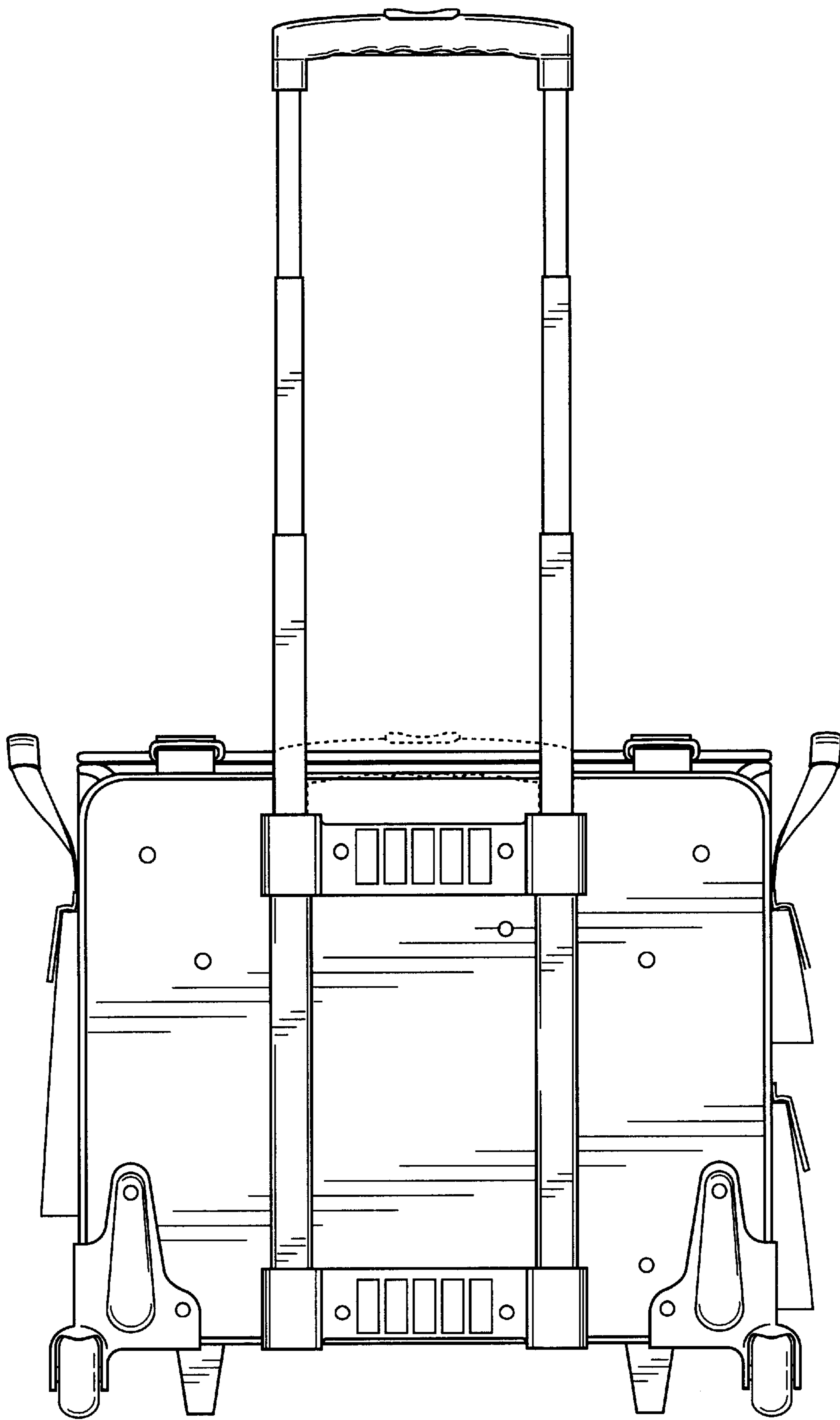


FIG. 4

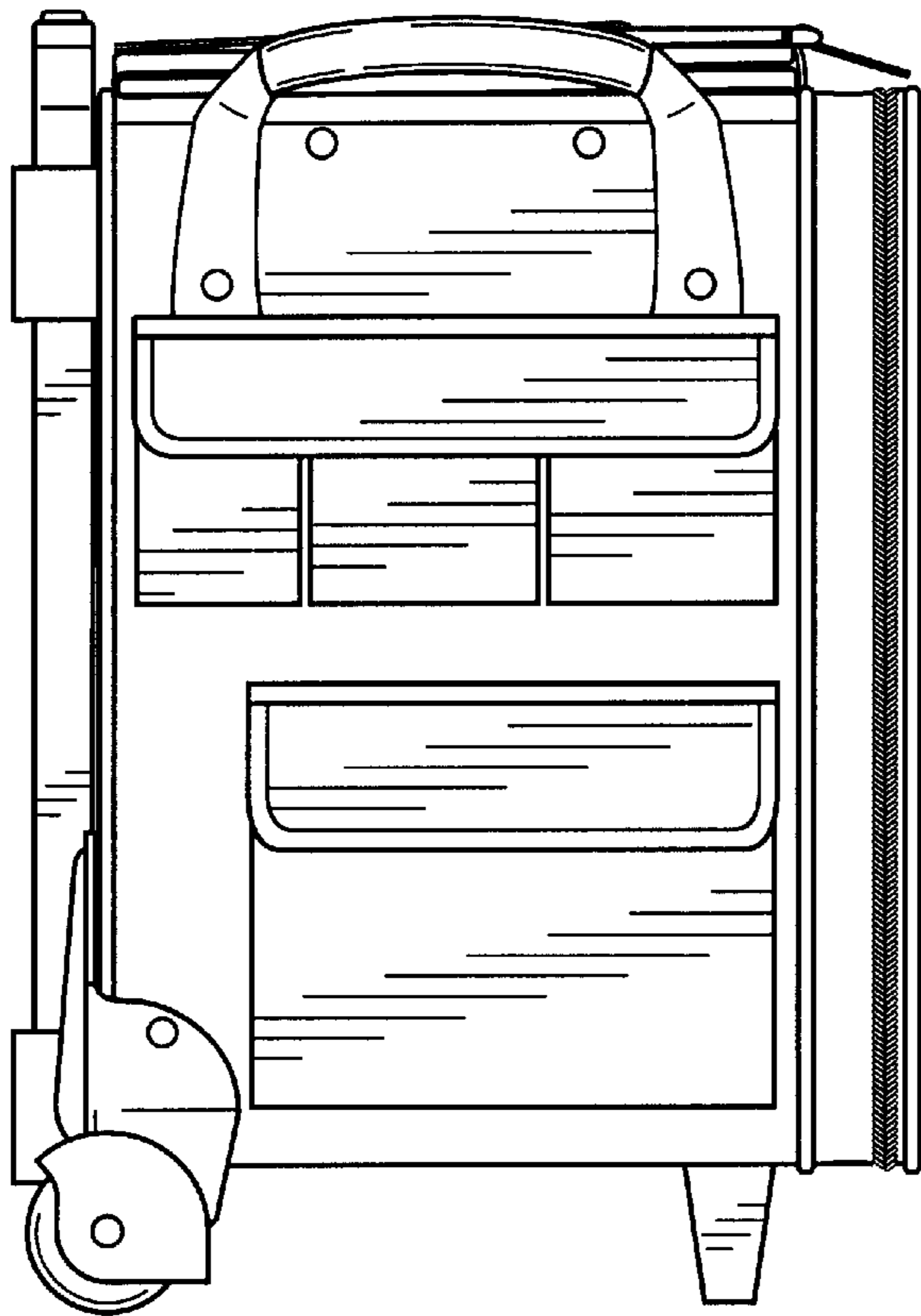


FIG. 5

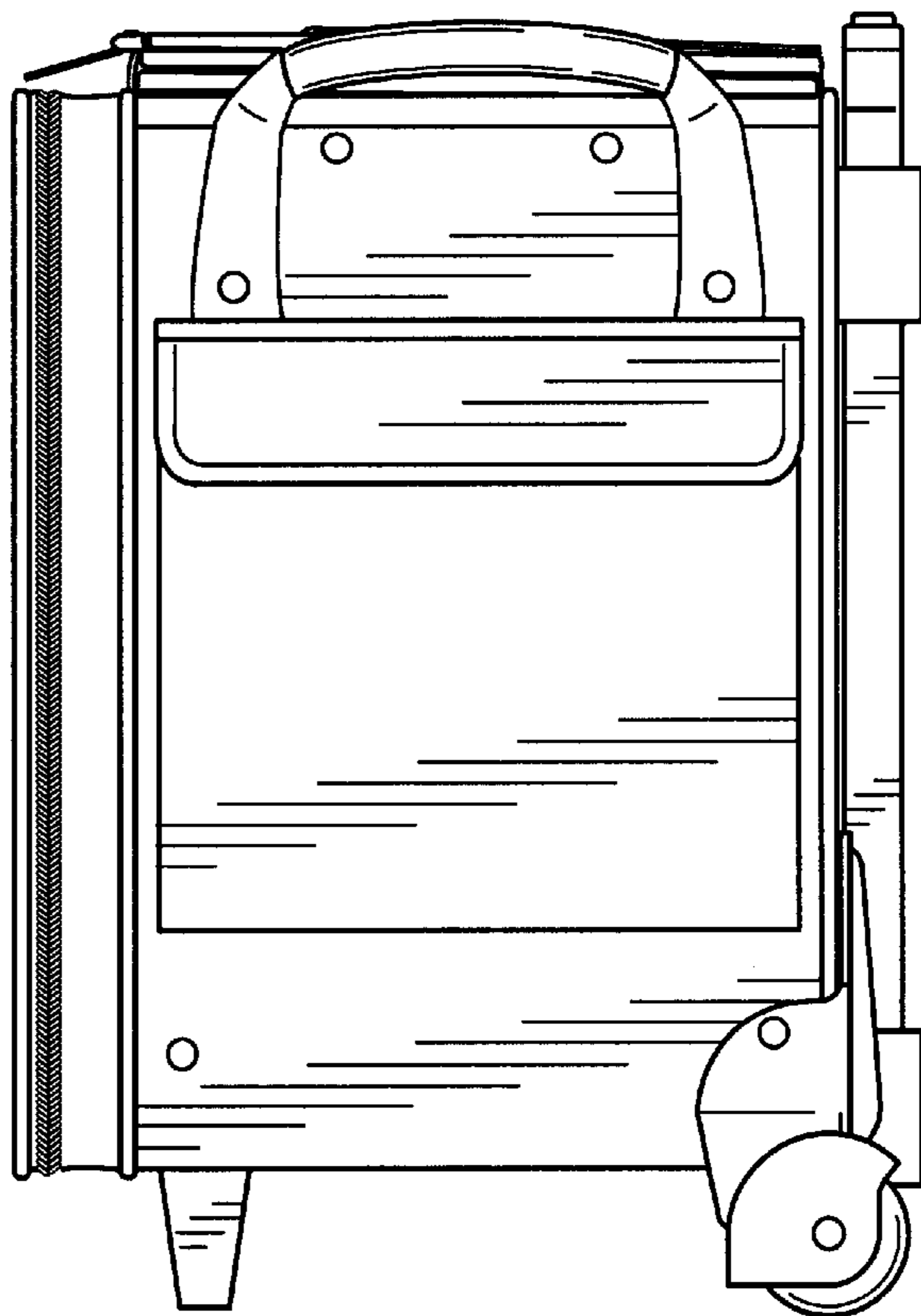


FIG. 6

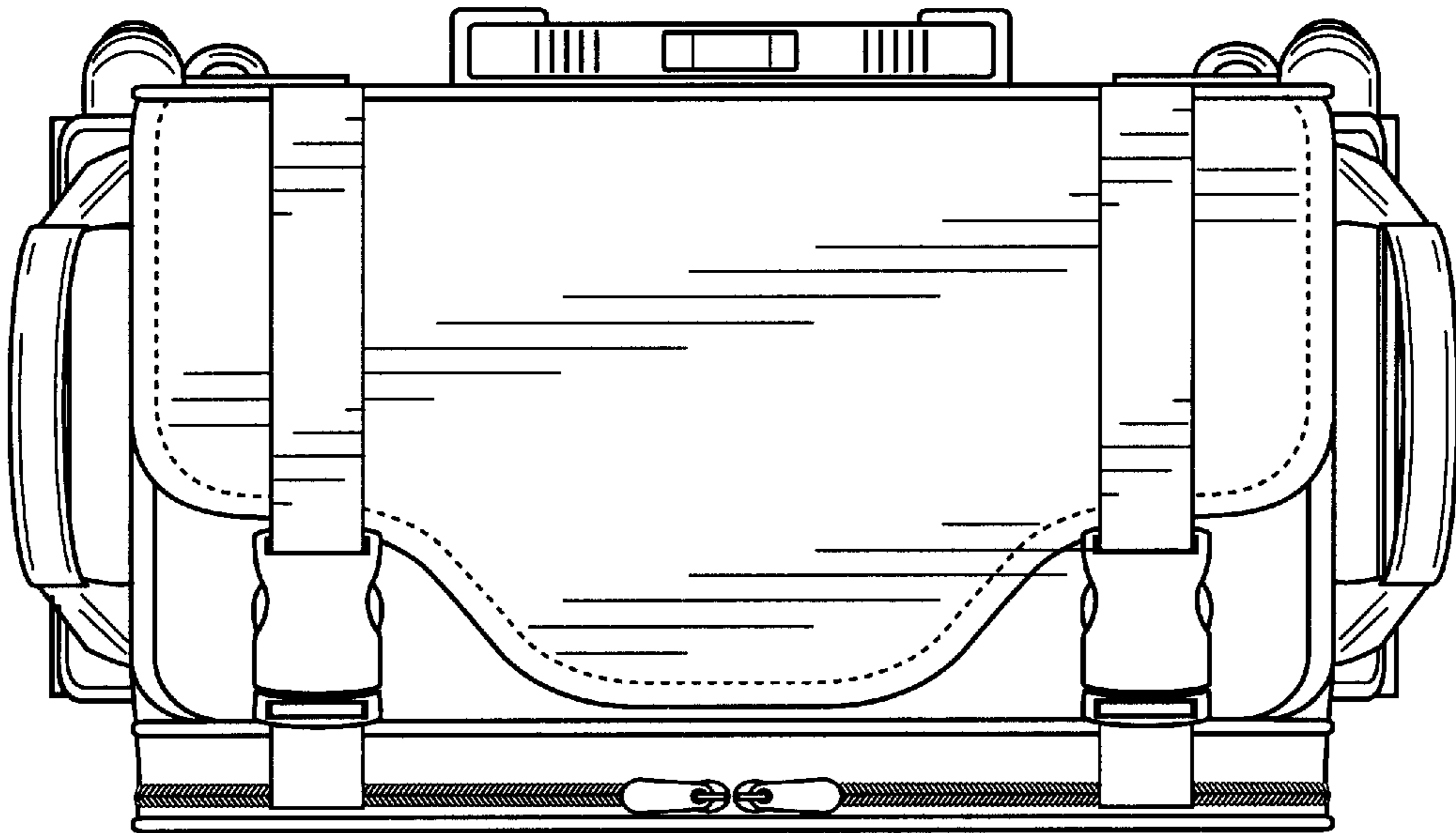


FIG. 7

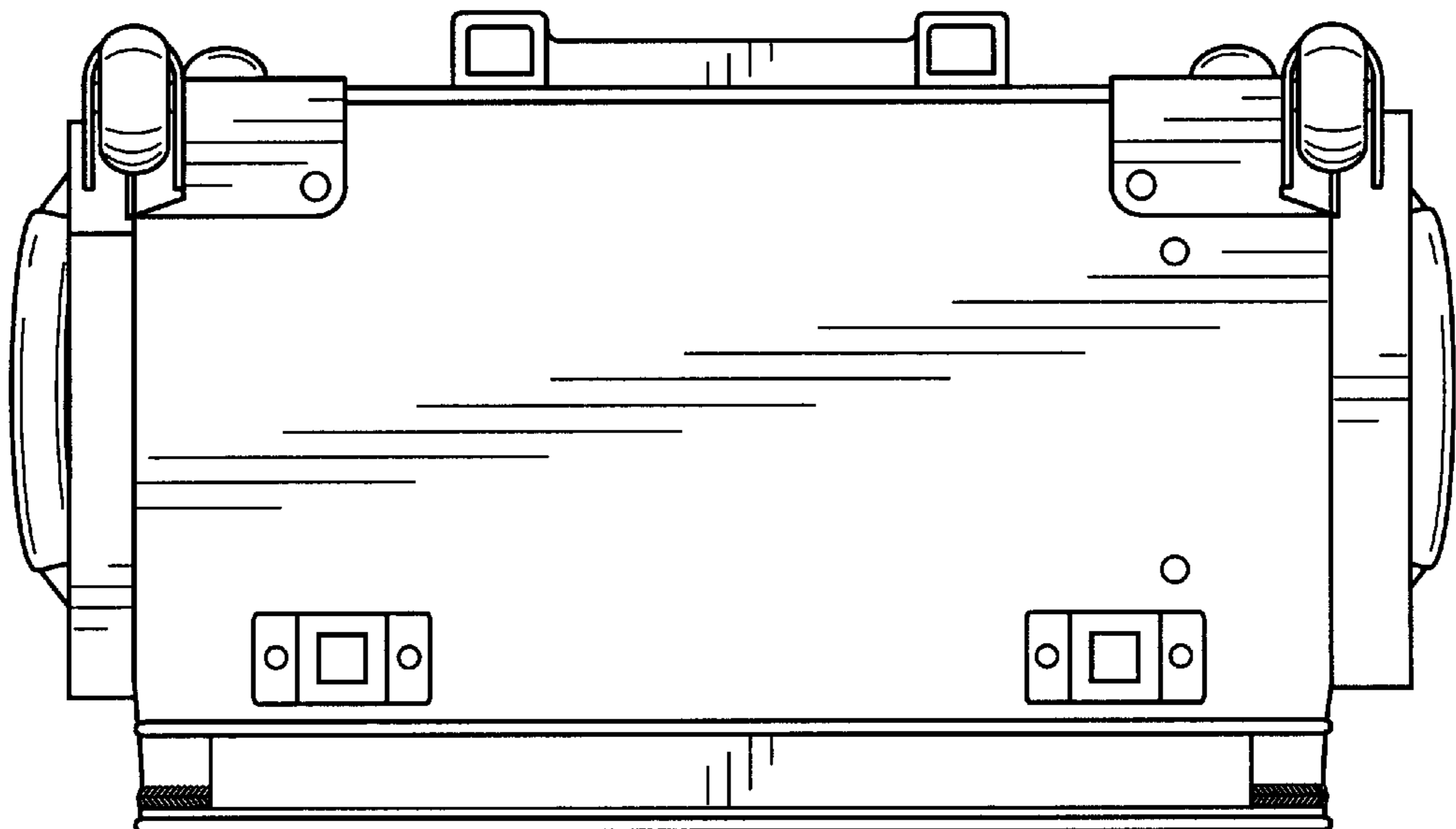


FIG. 8