



US00D474579S

(12) **United States Design Patent**  
**Clark**

(10) **Patent No.:** **US D474,579 S**

(45) **Date of Patent:** **\*\* May 20, 2003**

(54) **UNDER-HAT COOLER**

(76) **Inventor:** **Brian E. Clark**, 12048 E. 1st Ave.,  
#1111, Aurora, CO (US) 80012

(\*\*) **Term:** **14 Years**

(21) **Appl. No.:** **29/164,237**

(22) **Filed:** **Jul. 19, 2002**

(51) **LOC (7) Cl.** ..... **02-03**

(52) **U.S. Cl.** ..... **D2/892**

(58) **Field of Search** ..... D2/865, 866, 867,  
D2/891, 892; 2/171, 171.01, 181, 195.1,  
195.5, 195.6, 209.5, 209.7, 410, 411, 420,  
425, 10; D29/105, 106

(56) **References Cited**

**U.S. PATENT DOCUMENTS**

1,234,828 A \* 7/1917 Tramana ..... 2/171.01  
1,590,409 A \* 6/1926 Bender ..... 2/209.5  
1,677,187 A \* 7/1928 Leibson ..... 2/10  
1,731,978 A \* 10/1929 Kirk ..... 2/209.5

1,769,761 A \* 7/1930 Sutton ..... 2/181  
2,181,446 A \* 11/1939 Ames ..... 2/209.5  
2,675,558 A \* 4/1954 Richard ..... 2/195.5  
D226,598 S \* 4/1973 Yeeda ..... D2/876  
D458,737 S \* 6/2002 Fuerst ..... D2/892

\* cited by examiner

*Primary Examiner*—Doris V. Coles  
*Assistant Examiner*—Mimosa De  
(74) *Attorney, Agent, or Firm*—Kyle W. Rost

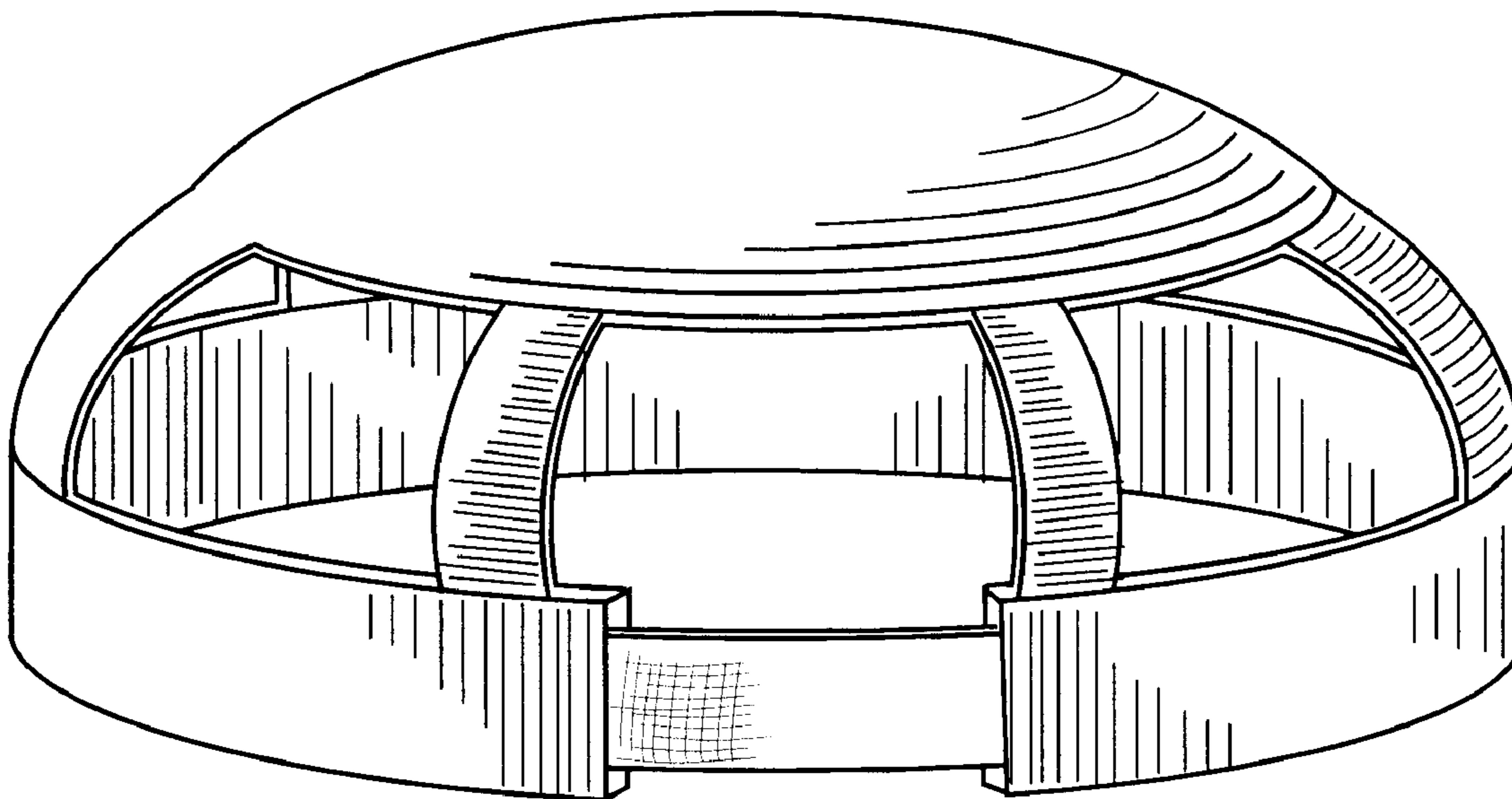
(57) **CLAIM**

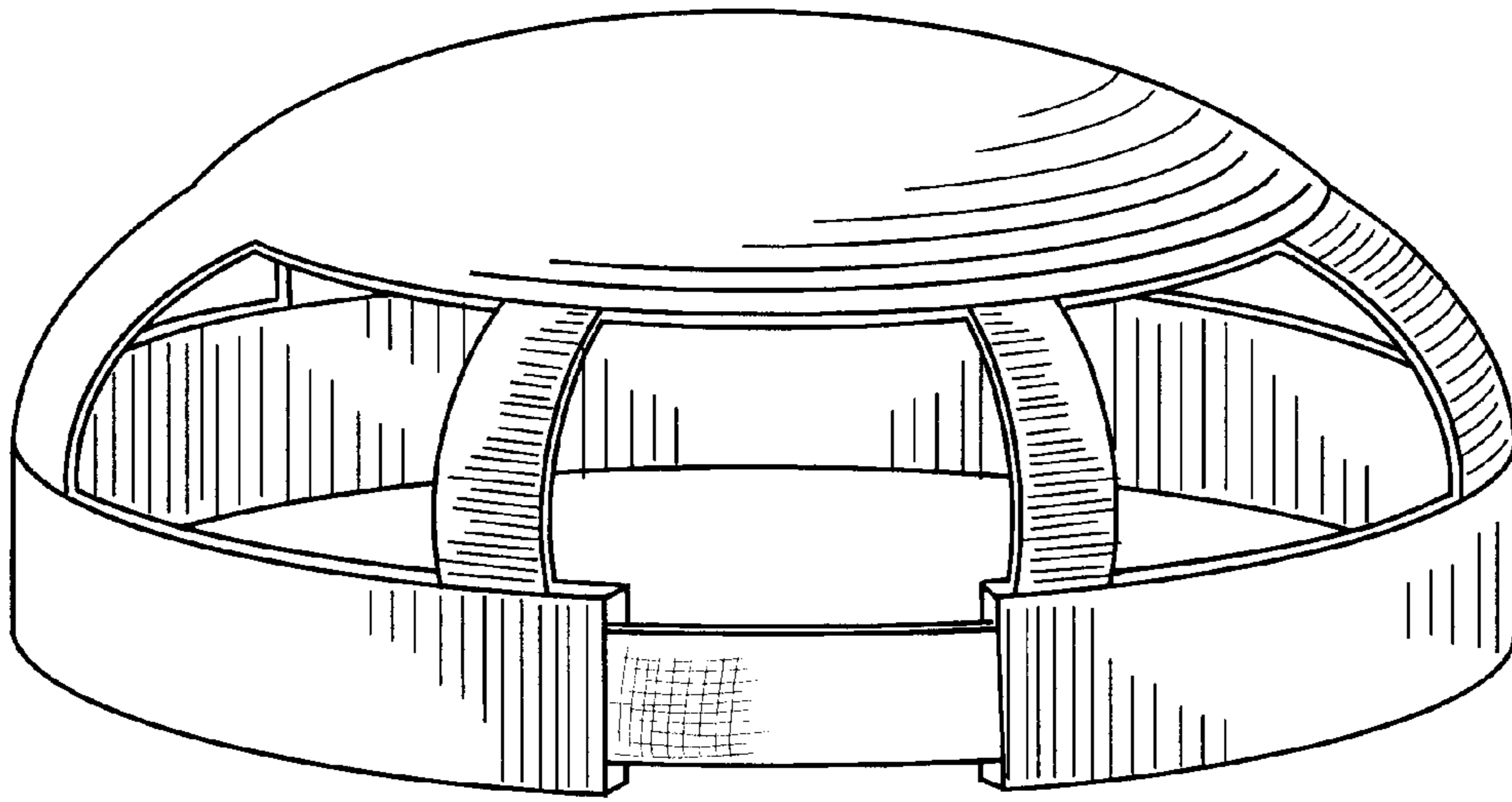
The ornamental design for an under-hat cooler, as shown and described.

**DESCRIPTION**

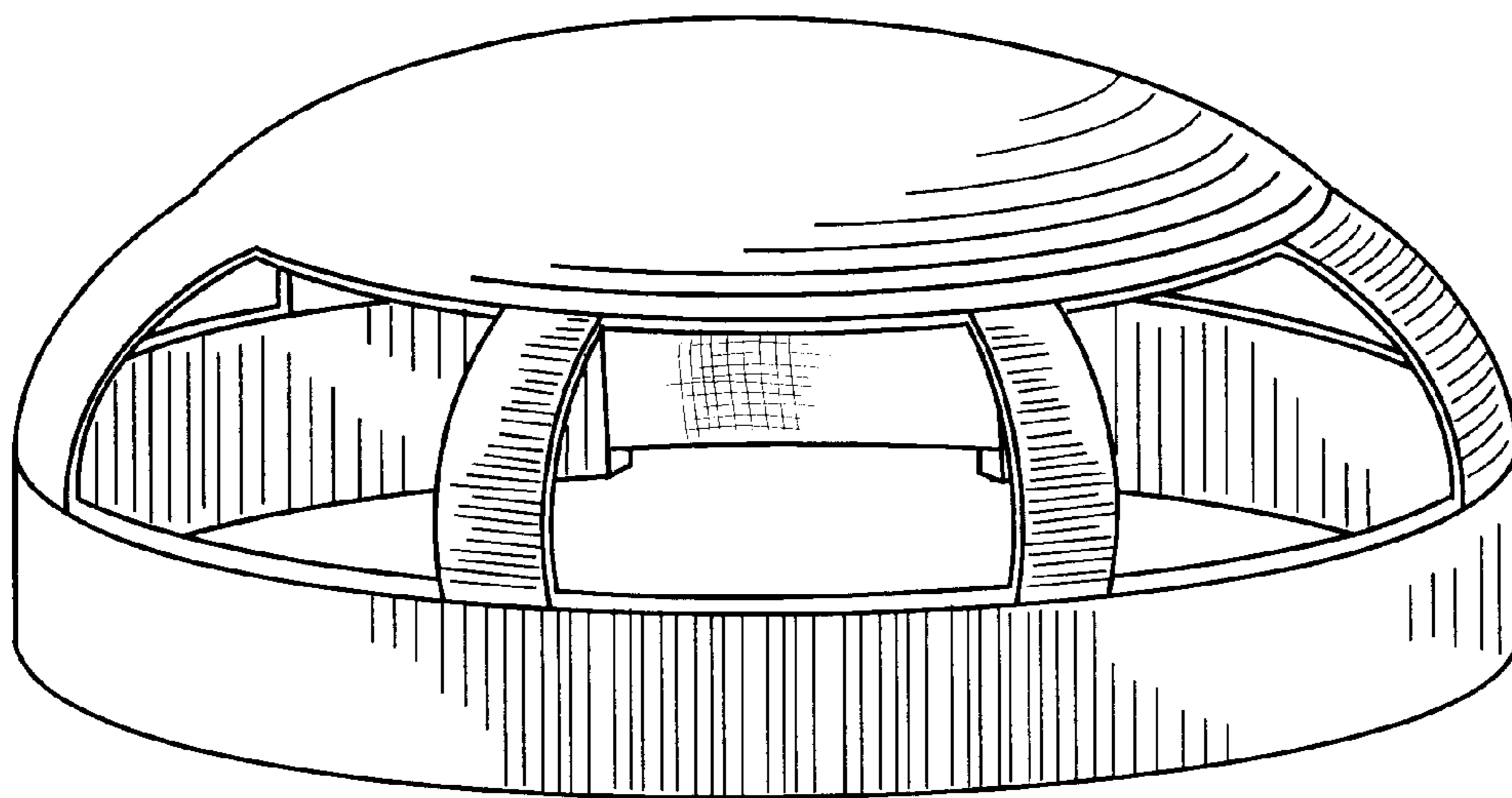
FIG. 1 is a rear elevational view of the under-hat cooler, showing my new design.  
FIG. 2 is a front view thereof.  
FIG. 3 is a top plan view thereof; and,  
FIG. 4 is a bottom plan view thereof.

**1 Claim, 2 Drawing Sheets**

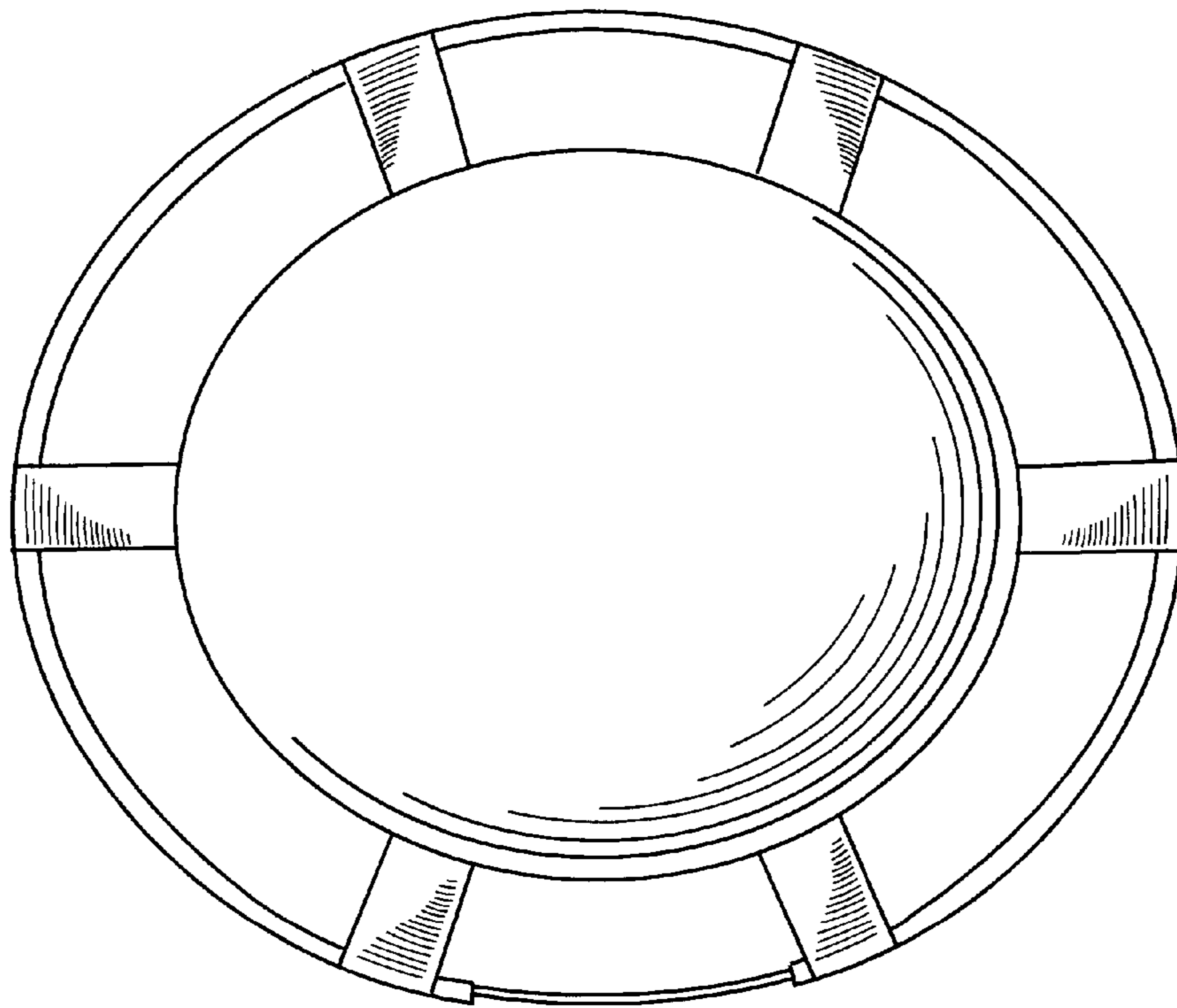




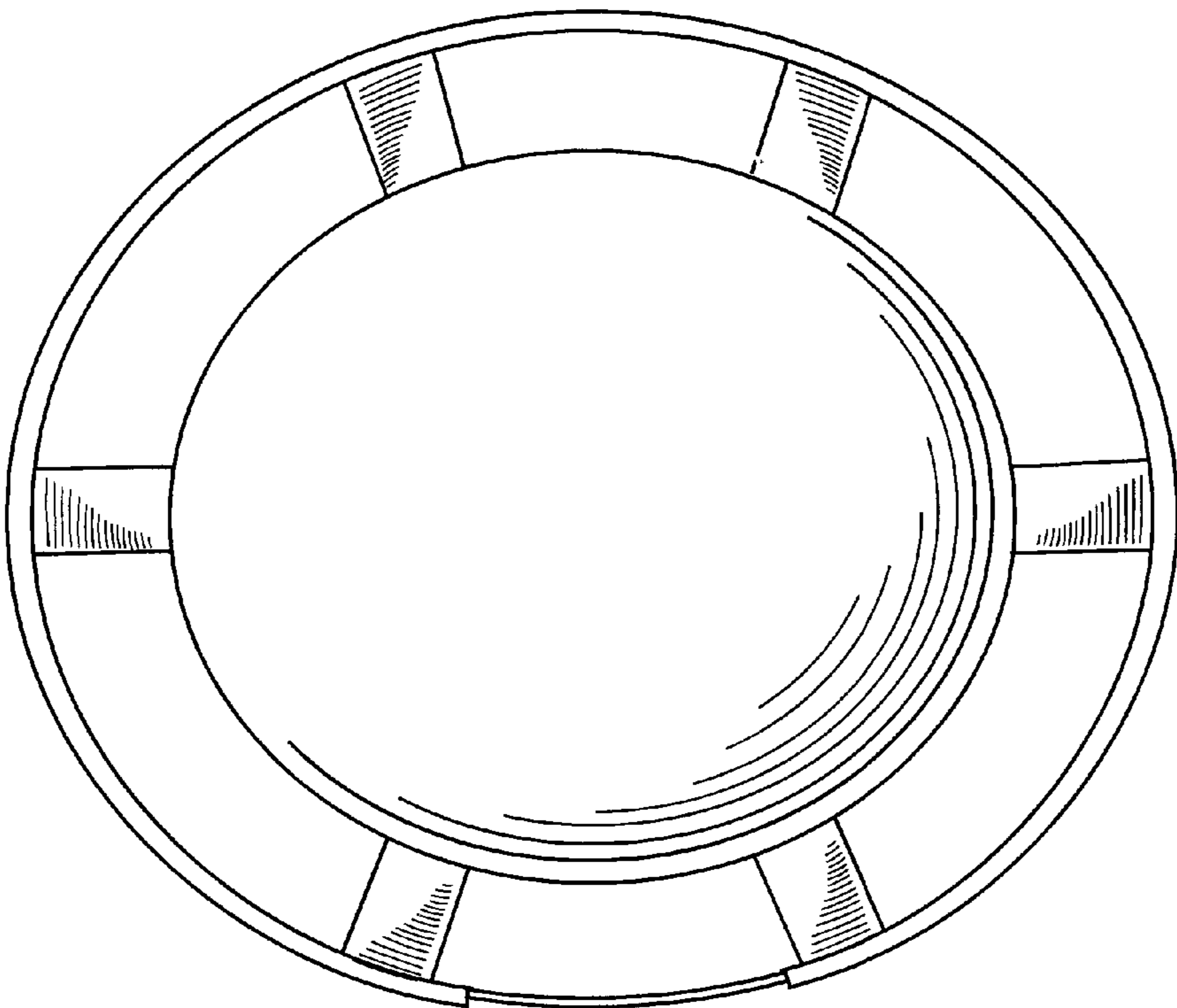
*Fig. 1*



*Fig. 2*



*Fig. 3*



*Fig. 4*