



US00D474570S

(12) **United States Design Patent**
Presnell et al.

(10) **Patent No.:** **US D474,570 S**

(45) **Date of Patent:** **** May 13, 2003**

(54) **HOUSEKEEPING CART**

(75) Inventors: **Donald Presnell**, Stephens City, VA (US); **David M. Dobersztyn**, Stephens City, VA (US); **Dale T. Maza**, Stephenson, VA (US)

(73) Assignee: **Rubbermaid Commercial Products LLC**, Winchester, VA (US)

(**) Term: **14 Years**

(21) Appl. No.: **29/141,842**

(22) Filed: **May 15, 2001**

(51) **LOC (7) Cl.** **12-02**

(52) **U.S. Cl.** **D34/21; D34/17**

(58) **Field of Search** D34/12-27; 280/79.11, 280/79.2, 79.3, 47.35, 47.34, 47.19; D6/478, 479, 481, 484, 487; 296/22; 312/249.8

(56) **References Cited**

U.S. PATENT DOCUMENTS

D137,626 S	4/1944	Adams
3,877,744 A	4/1975	Miller
D302,064 S	7/1989	Delmerico
D313,878 S	1/1991	Rinkewich
4,986,555 A	1/1991	Andreen
D324,284 S	2/1992	Welch
D349,988 S	8/1994	Green
D361,187 S	8/1995	Snell
D361,419 S	8/1995	Snell

5,566,961 A	10/1996	Snell et al.
D424,700 S	5/2000	Horton
D424,773 S	5/2000	Granberg
D425,279 S	5/2000	Houry et al.
D455,881 S	* 4/2002	Arvans D34/21

OTHER PUBLICATIONS

Harloff Hospitality Products Catalog HSCAT 994, PP. 1-19.
Forbes Housekeeping Carts, Forbes Catalog #60-A, pp. 1-16, 1998.
Rubbermaid Commercial Products Catalog, p. 53, 2000.

* cited by examiner

Primary Examiner—Kay H. Chin
(74) *Attorney, Agent, or Firm*—Foley & Lardner

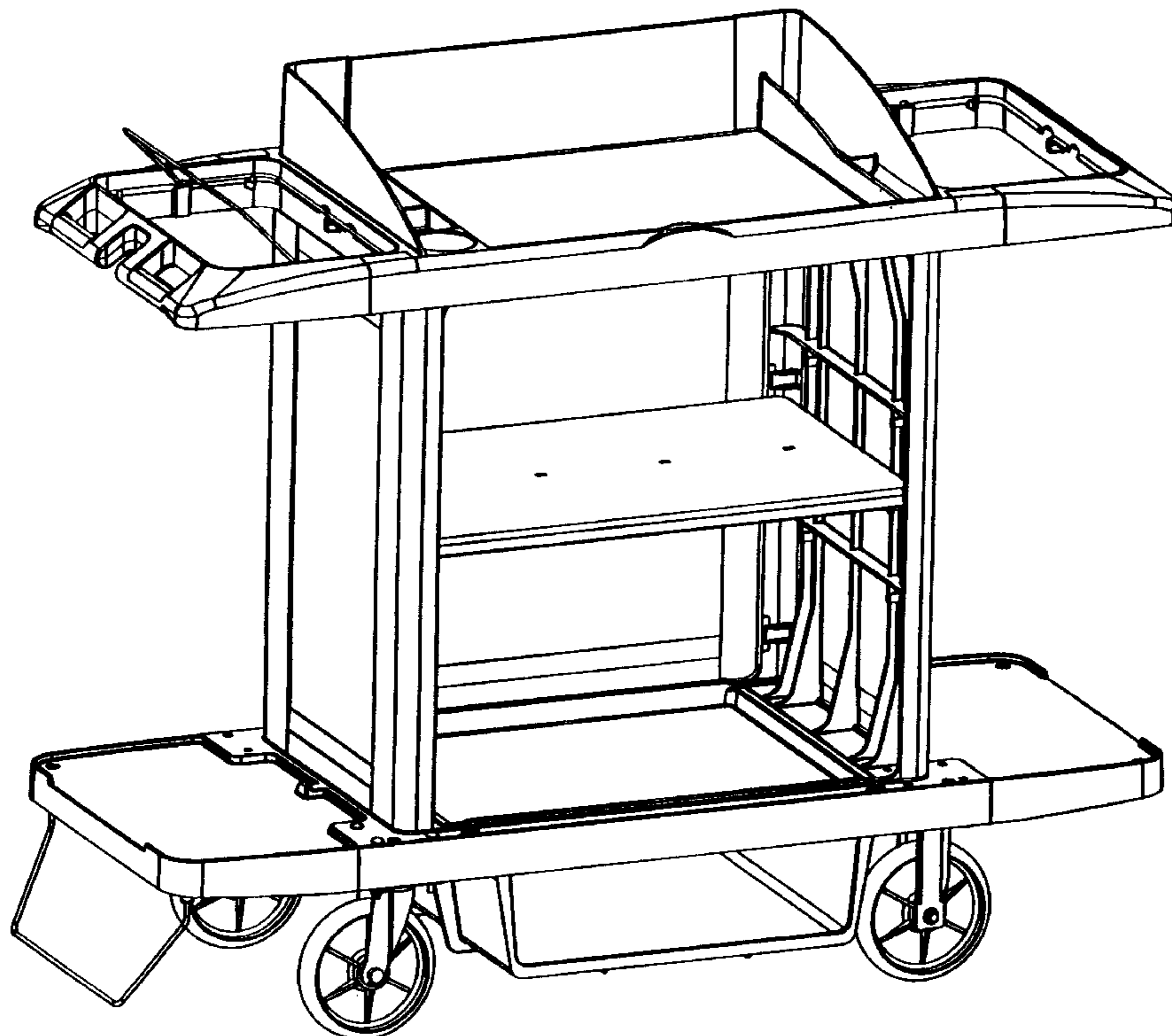
(57) **CLAIM**

The ornamental design for a housekeeping cart, as shown and described.

DESCRIPTION

FIG. 1 is a frontal perspective view of a first embodiment of a housekeeping cart according to our new design; FIG. 2 is a top view of the cart shown in FIG. 1; FIG. 3 is a bottom view of the cart shown in FIG. 1; FIG. 4 is a right side view of the cart shown in FIG. 1; FIG. 5 is a left side view of the cart shown in FIG. 1; FIG. 6 is a front view of the cart shown in FIG. 1; and, FIG. 7 is a back view of the cart shown in FIG. 1.

1 Claim, 7 Drawing Sheets



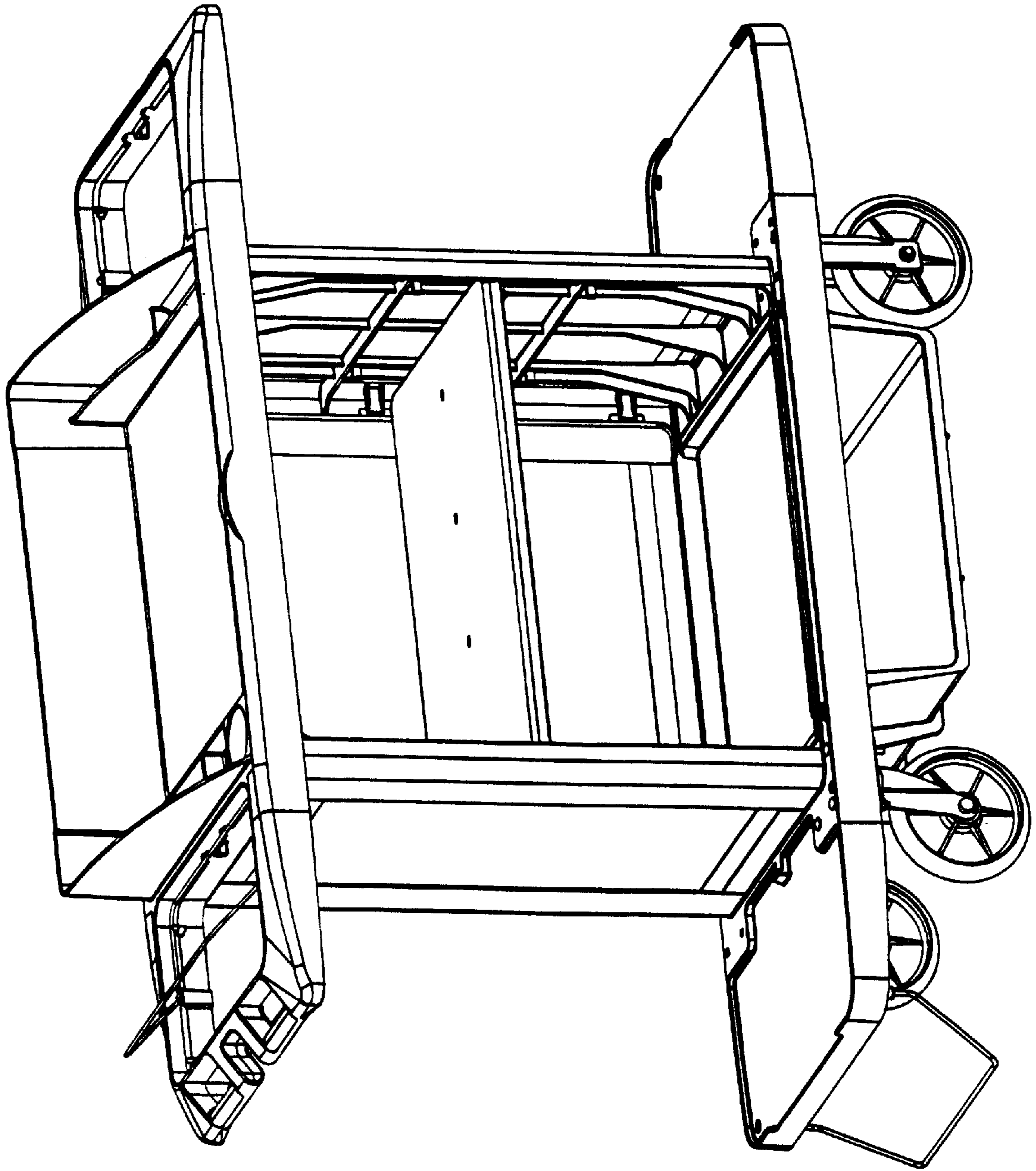


FIG. 1

FIG. 2

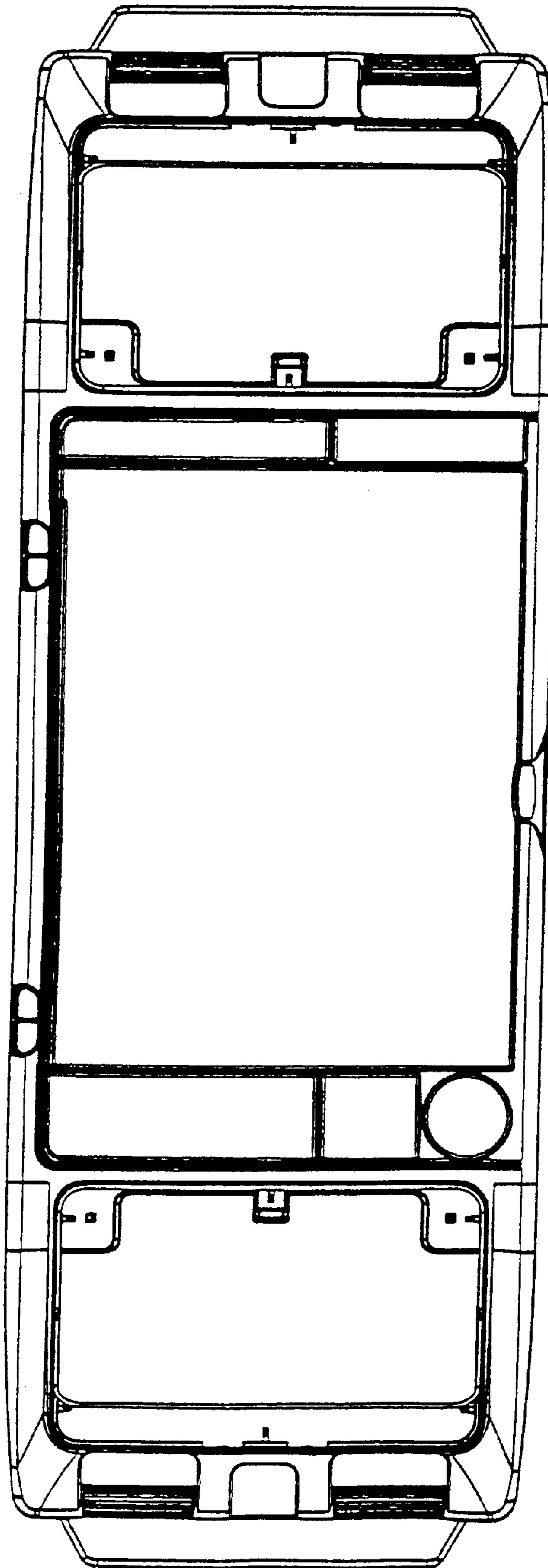
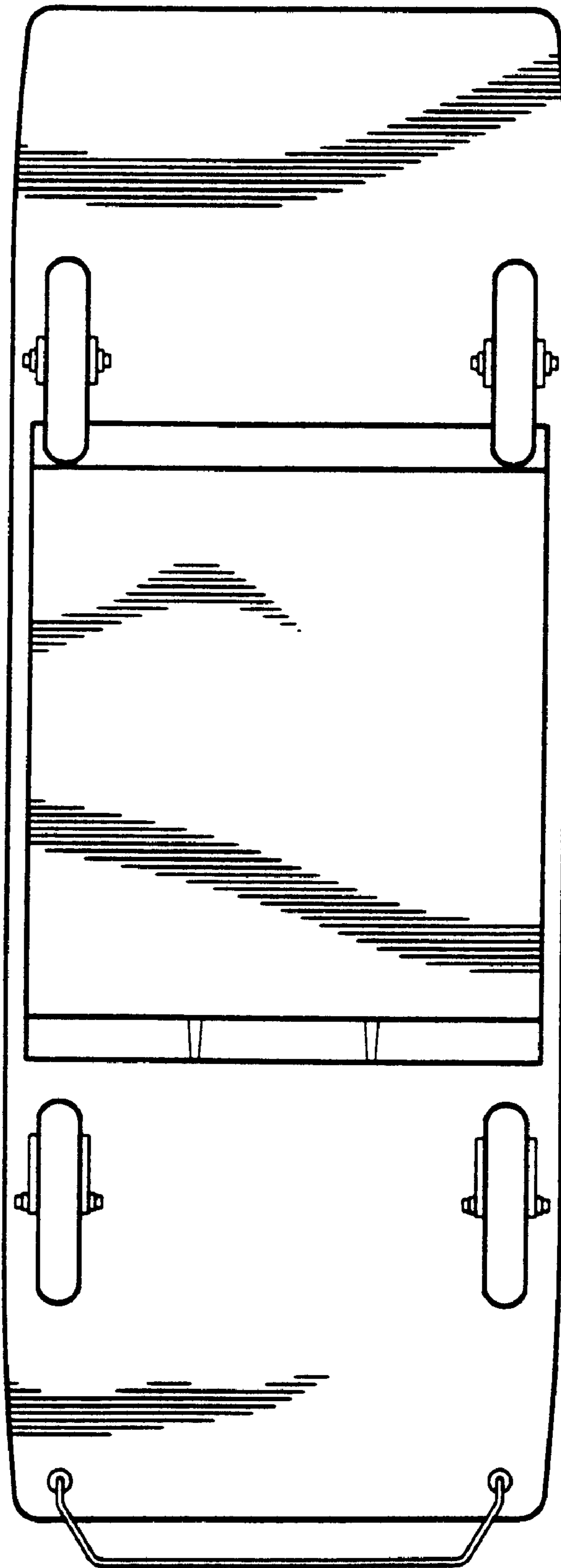


FIG. 3



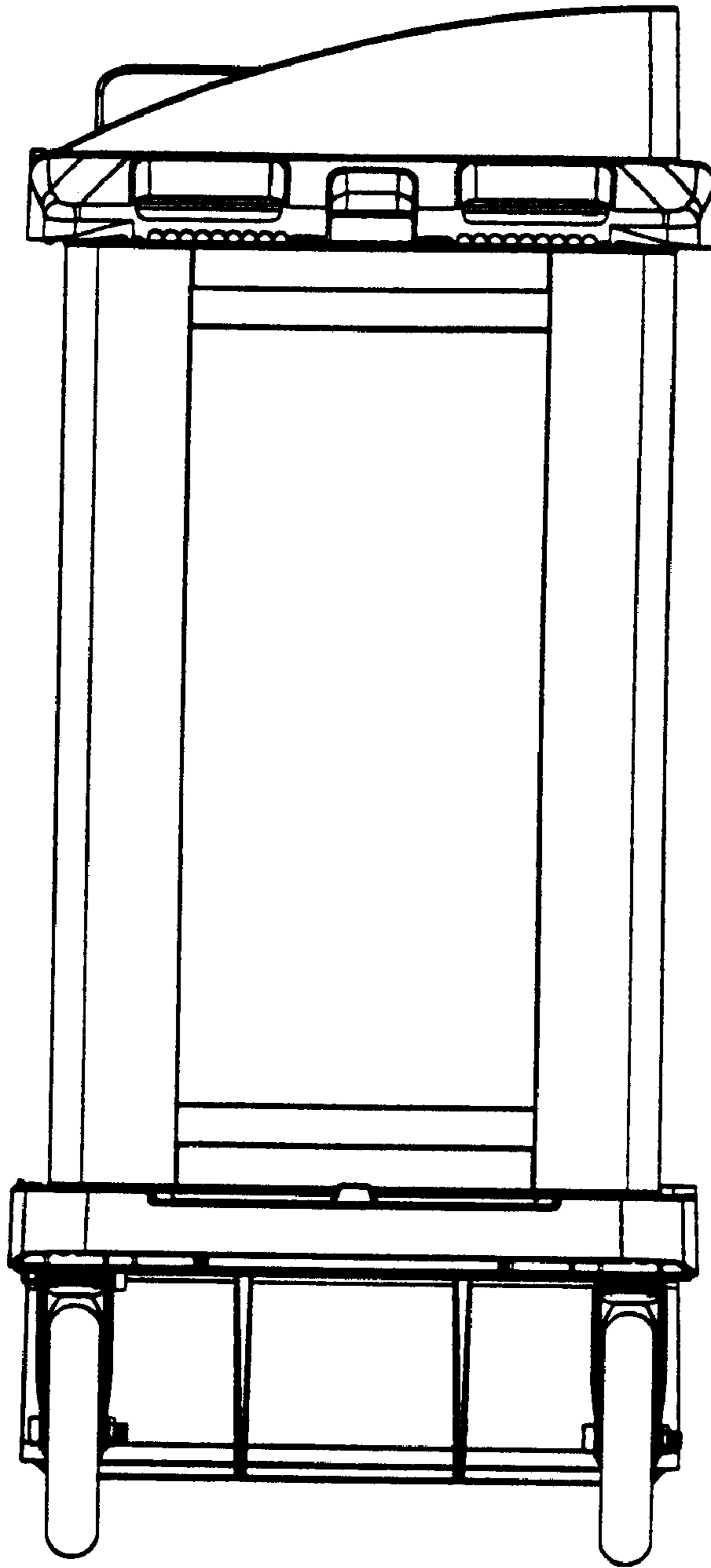


FIG. 4

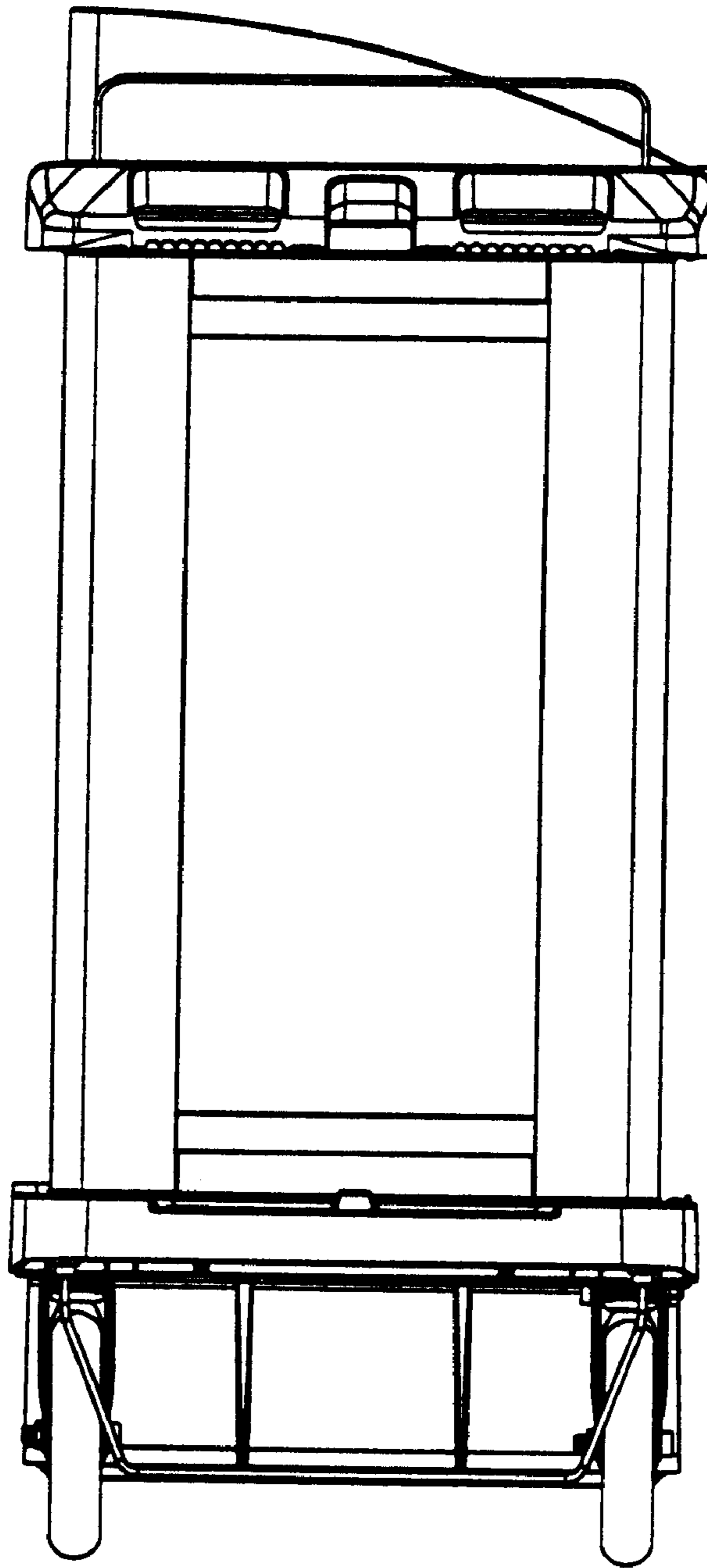


FIG. 5

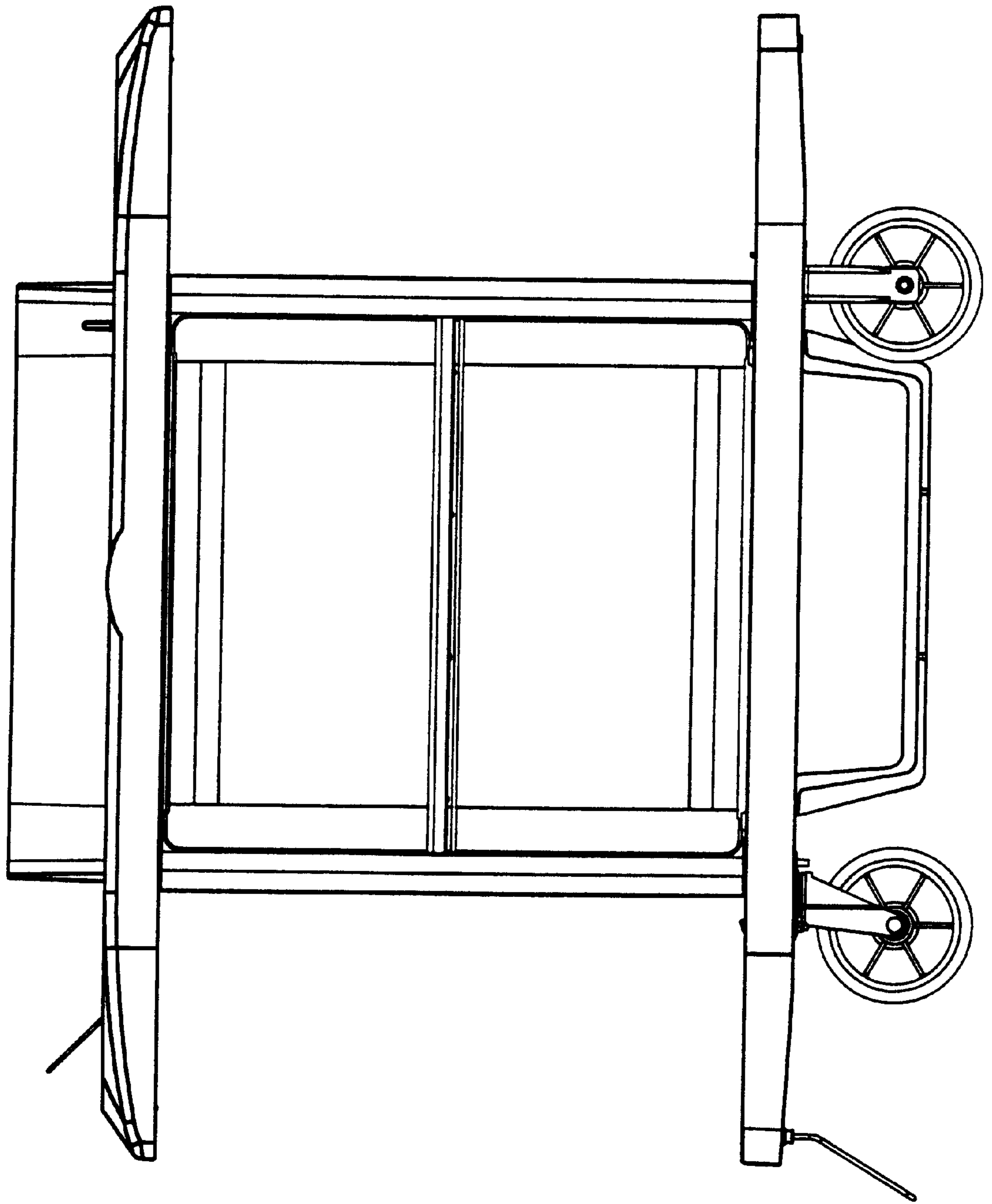


FIG. 6

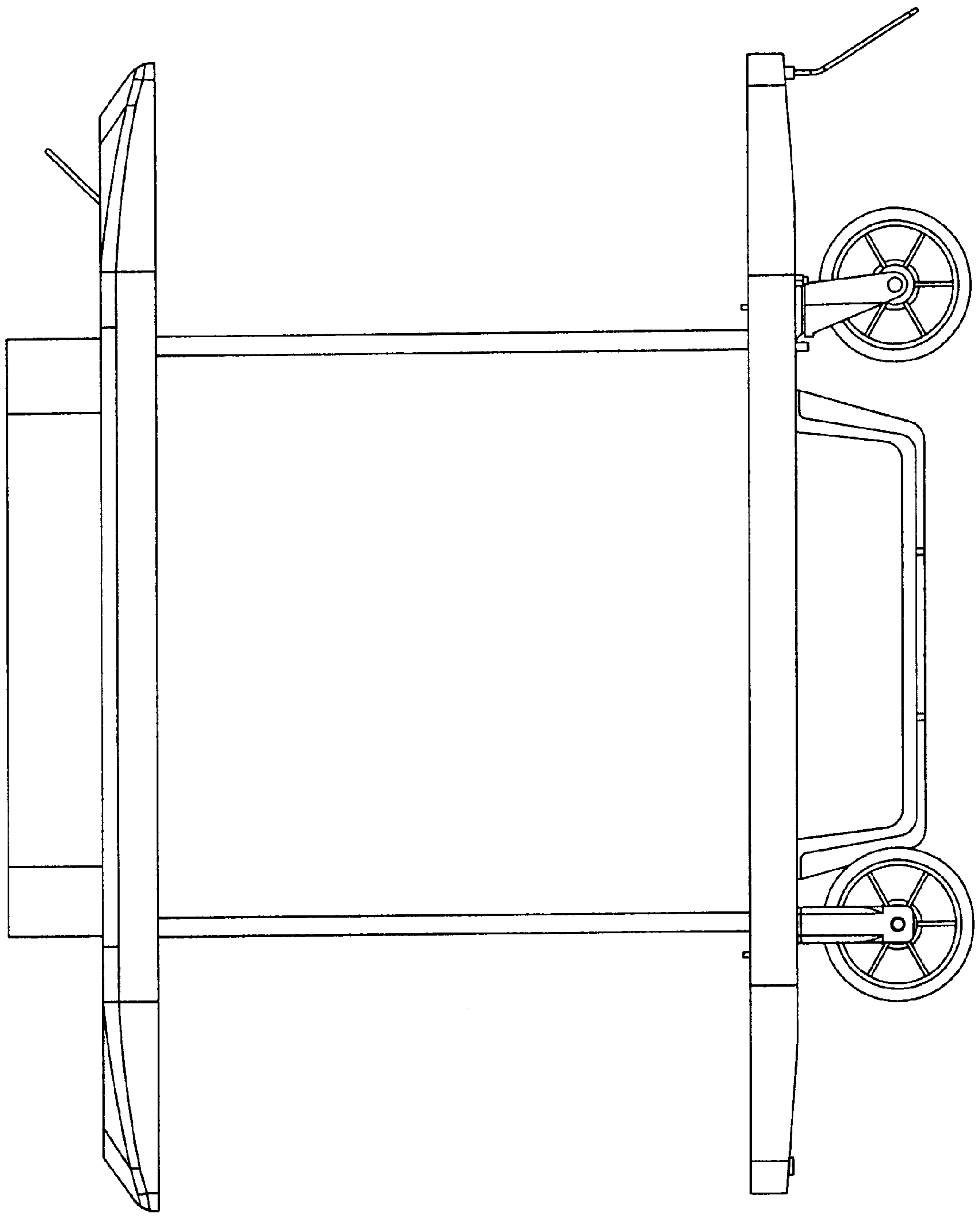


Fig. 7