



US00D474566S

(12) **United States Design Patent**
Baldwin et al.

(10) **Patent No.:** **US D474,566 S**

(45) **Date of Patent:** **** May 13, 2003**

(54) **FRONT PANEL OF A LAUNDRY PEDESTAL**

OTHER PUBLICATIONS

(75) Inventors: **Mark William Baldwin**, St. Joseph, MI (US); **Richard Joseph Conrad**, Stevensville, MI (US); **William Konar**, Stevensville, MI (US); **Walter Braun**, Schorndorf (DE)

Home Magazine, Oct. 2002: Whirlpool Duet Washer and Dryer advertisement.*

* cited by examiner

(73) Assignee: **Whirlpool Corporation**, Benton Harbor, MI (US)

Primary Examiner—Louis S. Zarfaz

Assistant Examiner—Robert A Delehanty

(74) *Attorney, Agent, or Firm*—Thomas J. Roth; Robert O. Rice; Stephen Krefman

(**) Term: **14 Years**

(57) **CLAIM**

(21) Appl. No.: **29/143,844**

The ornamental design for a front panel of a laundry pedestal, as shown and described.

(22) Filed: **Jun. 20, 2001**

DESCRIPTION

(51) **LOC (7) Cl.** **15-05**

(52) **U.S. Cl.** **D32/25**

(58) **Field of Search** D32/1-3, 5-6, D32/8, 10, 12, 25; 137/374; 15/DIG. 7; 134/135, 56 D, 58 D, 57 D; 312/109; 68/3 R; D7/339, 348-349; D6/510, 445, 446

FIG. 1 is a side perspective view of the design of the laundry appliance front panel of the present invention, with the pedestal shown in phantom lines.

FIG. 2 is a front perspective view of the front panel thereof.

FIG. 3 is a left side elevational view thereof.

FIG. 4 is a right side elevational view thereof.

FIG. 5 is an enlarged top plan view thereof; and,

FIG. 6 is an enlarged front elevation view thereof.

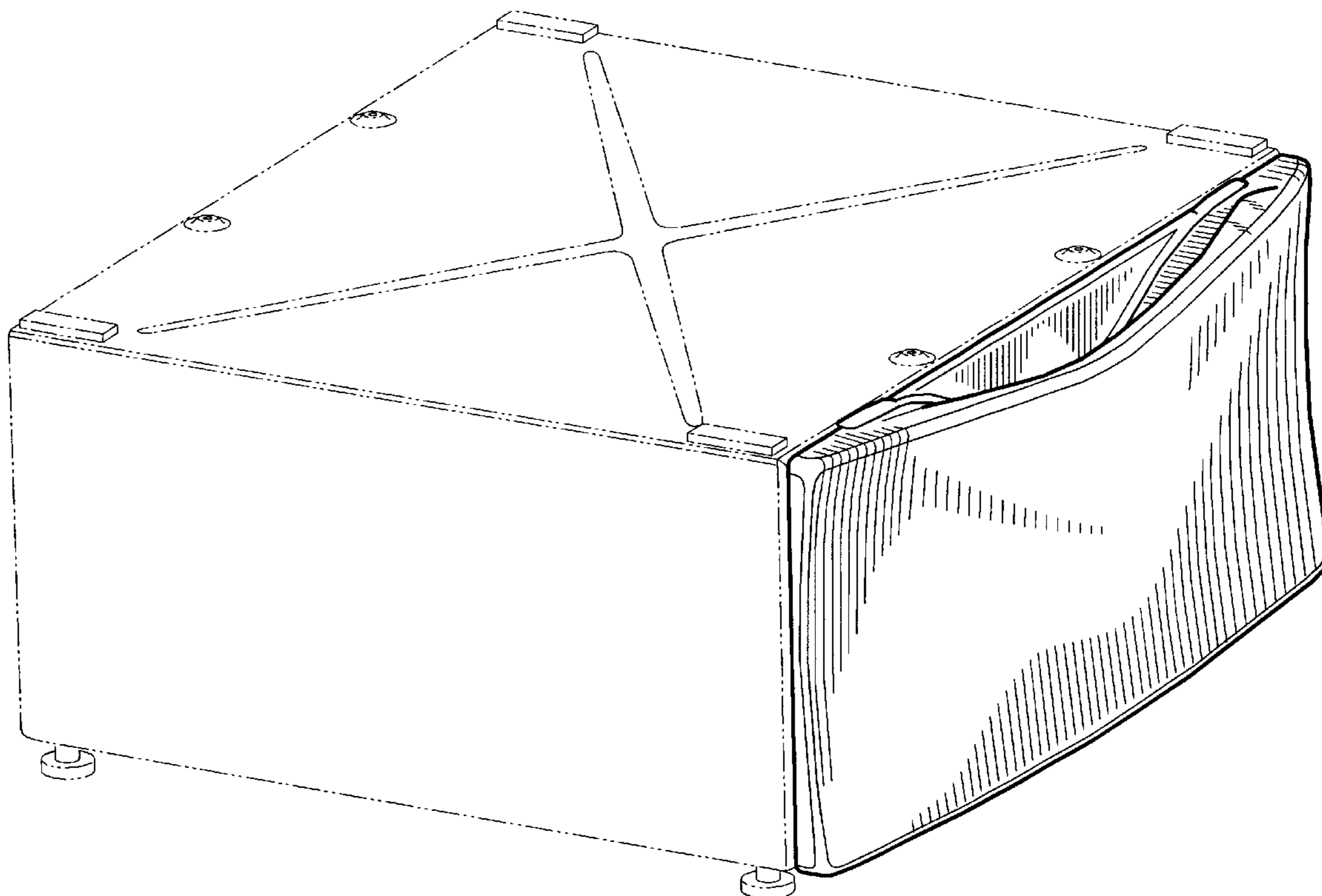
The broken line showing of the rear body of a pedestal is for illustrative purposes only and forms no part of the claimed design.

(56) **References Cited**

U.S. PATENT DOCUMENTS

D365,224 S	*	12/1995	Pohlman	D6/445
D370,572 S	*	6/1996	Lin	D6/446
D417,571 S	*	12/1999	Teufel et al.	D6/510
D458,780 S	*	6/2002	Siepmann et al.	D6/510
D460,224 S	*	7/2002	Richardson	D32/2

1 Claim, 3 Drawing Sheets



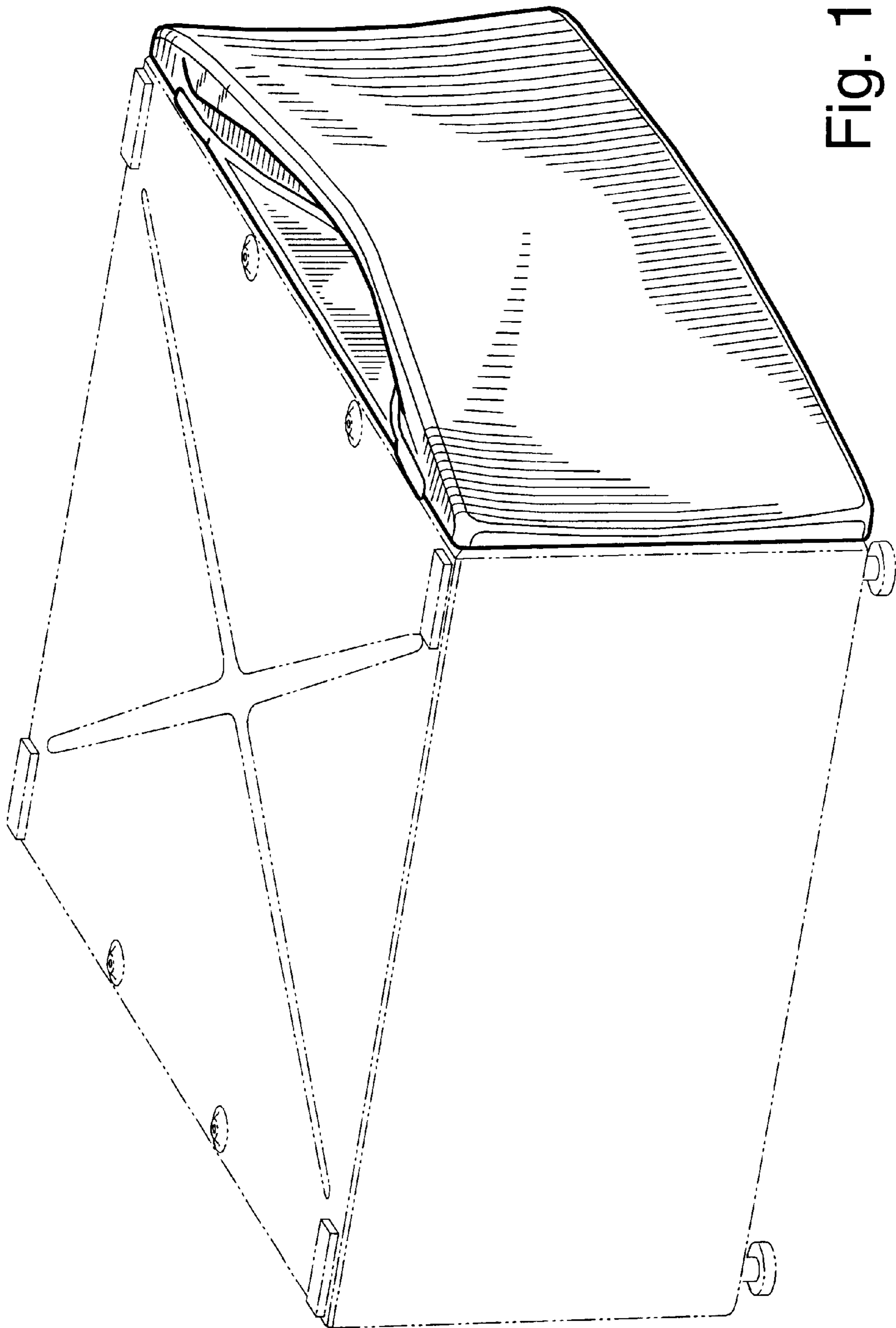


Fig. 1

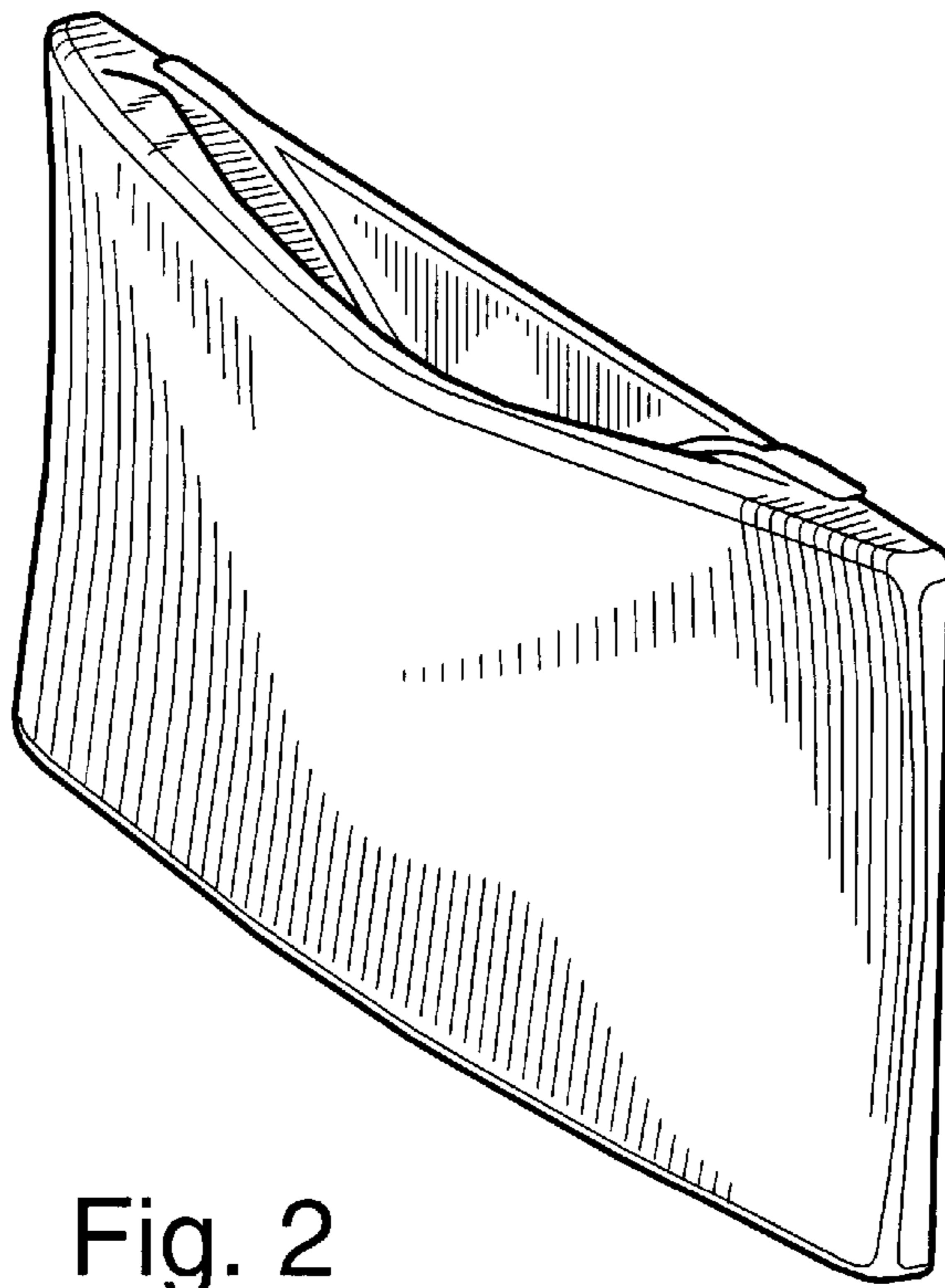


Fig. 2

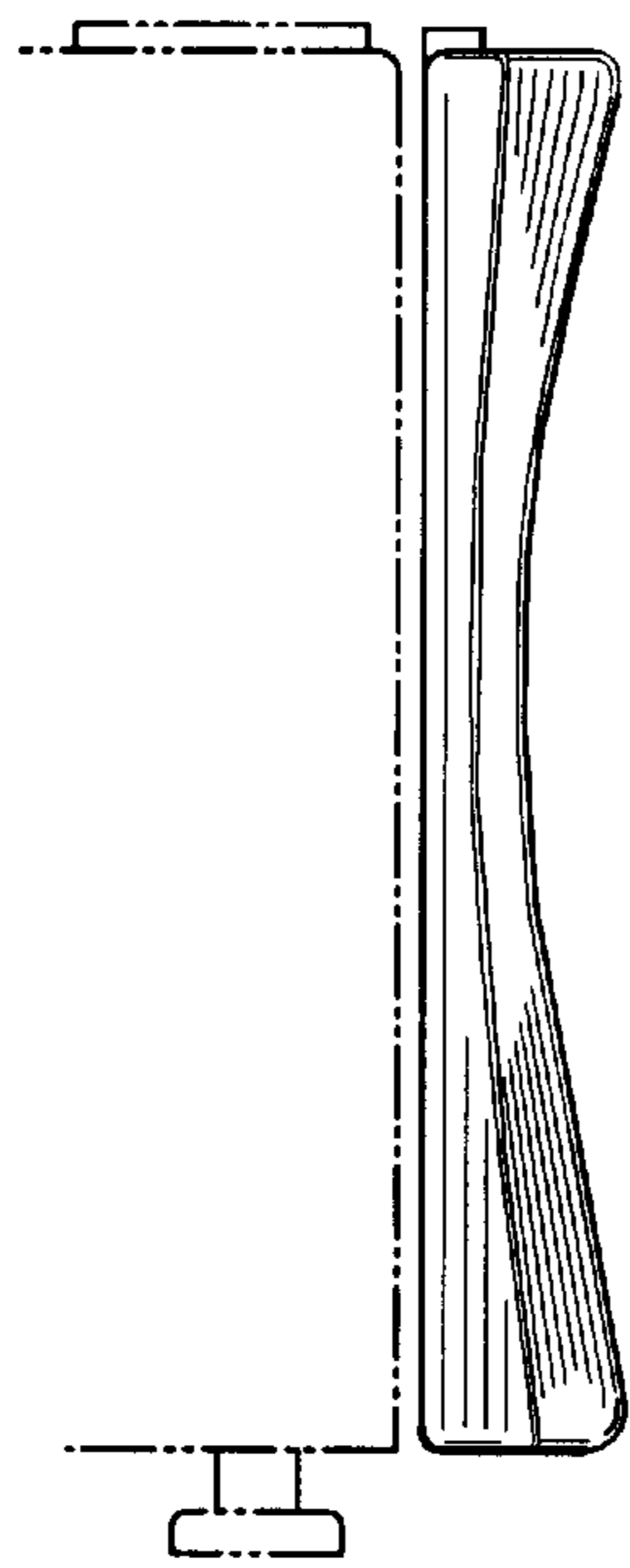


Fig. 3

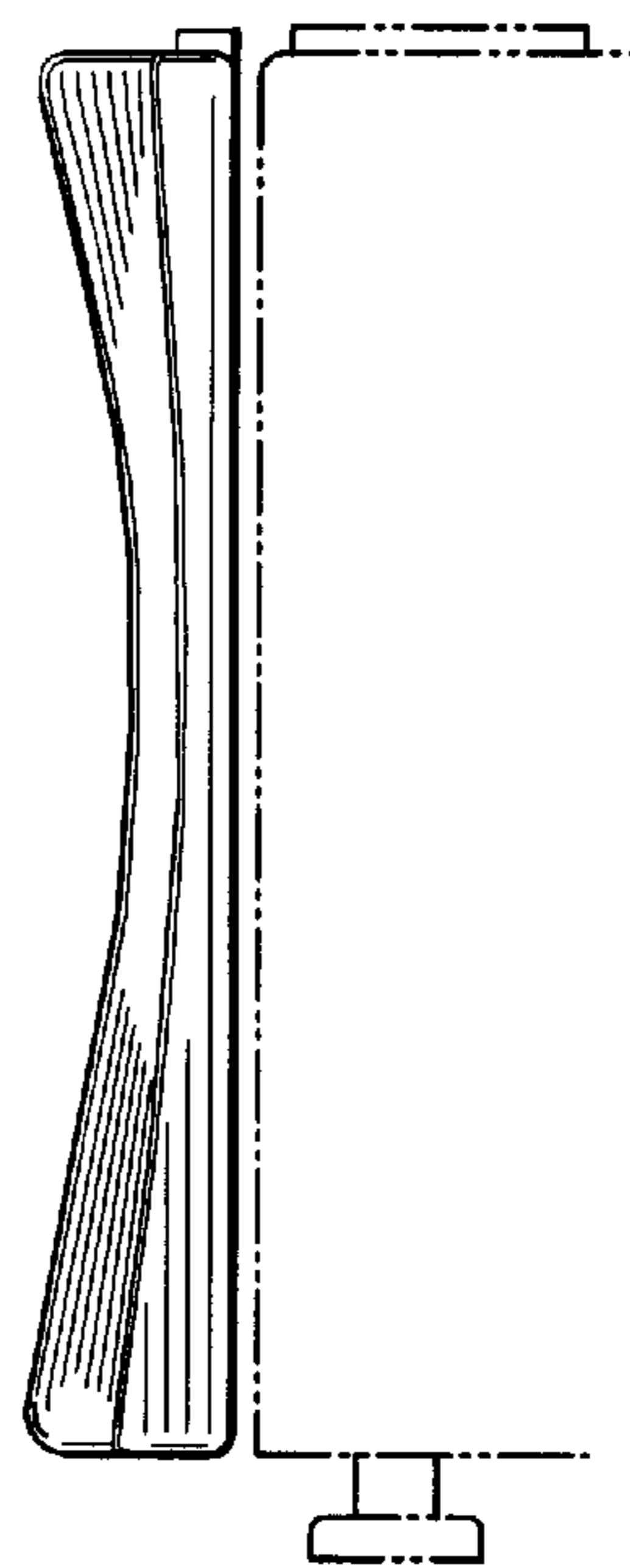


Fig. 4

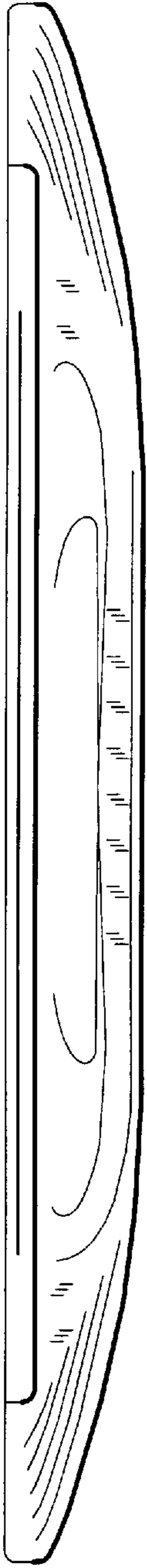


Fig. 5

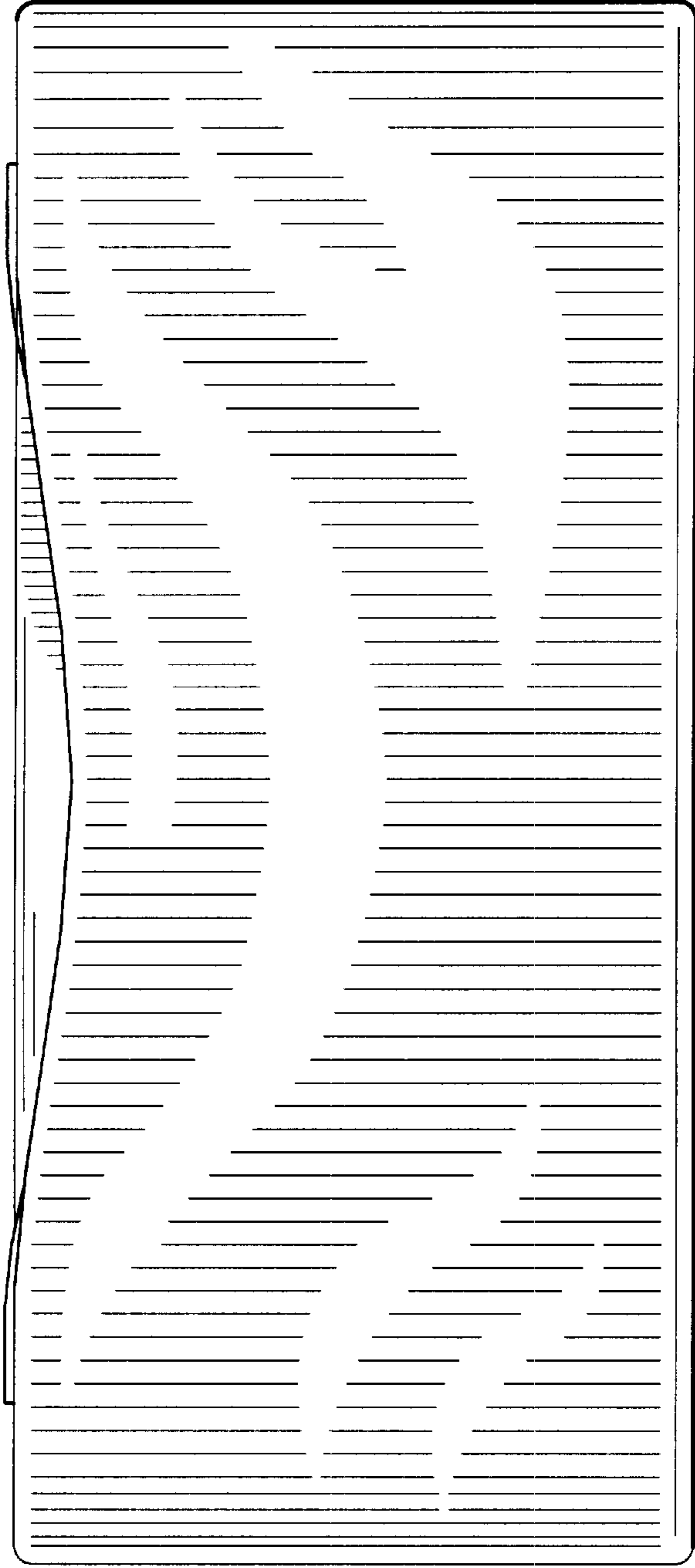


Fig. 6