



US00D474565S

(12) **United States Design Patent**
Pinchuk et al.

(10) **Patent No.:** **US D474,565 S**

(45) **Date of Patent:** **** May 13, 2003**

(54) **JEWELRY CLEANER WITH INTERCHANGEABLE-USE COVERS**

(75) Inventors: **Rene C. Pinchuk**, Kensington, CA (US); **Tristan M. Christianson**, San Francisco, CA (US)

(73) Assignee: **SharperImage Corporation**, San Francisco, CA (US)

(**) Term: **14 Years**

(21) Appl. No.: **29/168,603**

(22) Filed: **Oct. 3, 2002**

(51) **LOC (7) Cl.** **15-05**

(52) **U.S. Cl.** **D32/1**

(58) **Field of Search** D32/1, 25; 134/117-118, 134/135, 140, 184; 366/127; D24/217

(56) **References Cited**

U.S. PATENT DOCUMENTS

D243,556 S	*	3/1977	Thomas et al.	D24/217 X
D315,039 S	*	2/1991	Wortham	D32/1
D315,815 S	*	3/1991	Miller	D32/1
D321,564 S	*	11/1991	Miller	D24/217
D324,746 S	*	3/1992	Accattato	D32/1
D337,163 S	*	7/1993	James	D24/217
D341,233 S	*	11/1993	Muller	D32/1

OTHER PUBLICATIONS

“The Sharper Image” catalog, published by Sharper Image Corporation “The Gift Catalog 2002”, p. 37, “Ultrasonic Jewelry Cleaner”;

Webpage download on Nov. 18, 2002 from www.sharper-image.com/us/en/catalog/productview.jhtml?&shu=SI414BLU.

* cited by examiner

Primary Examiner—Louis S. Zarfaz

Assistant Examiner—Robert A. Delehanty

(74) *Attorney, Agent, or Firm*—Fliesler Dubb Meyer & Lovejoy LLP

(57) **CLAIM**

The ornamental design for jewelry cleaner with interchangeable-use covers, as shown and described.

DESCRIPTION

FIGS. 1 to 8 is the jewelry cleaner with a flat cover and FIGS. 7 to 10 with an interchangeable basket-shaped insert that is designed to hold small items for cleaning.

FIG. 1 is front perspective view of a jewelry cleaner with interchangeable-use covers showing our new design with a plain cover;

FIG. 2 is a rear perspective view thereof;

FIG. 3 is a top view thereof; The bottom view is flat and unornamented and not shown;

FIG. 4 is a front view thereof;

FIG. 5 is a rear view thereof; and

FIG. 6 is a left side view thereof; The right side view is a mirror image and not shown;

FIG. 7 is a front perspective view of a jewelry cleaner with interchangeable-use covers showing a cover with a basket-shaped insert;

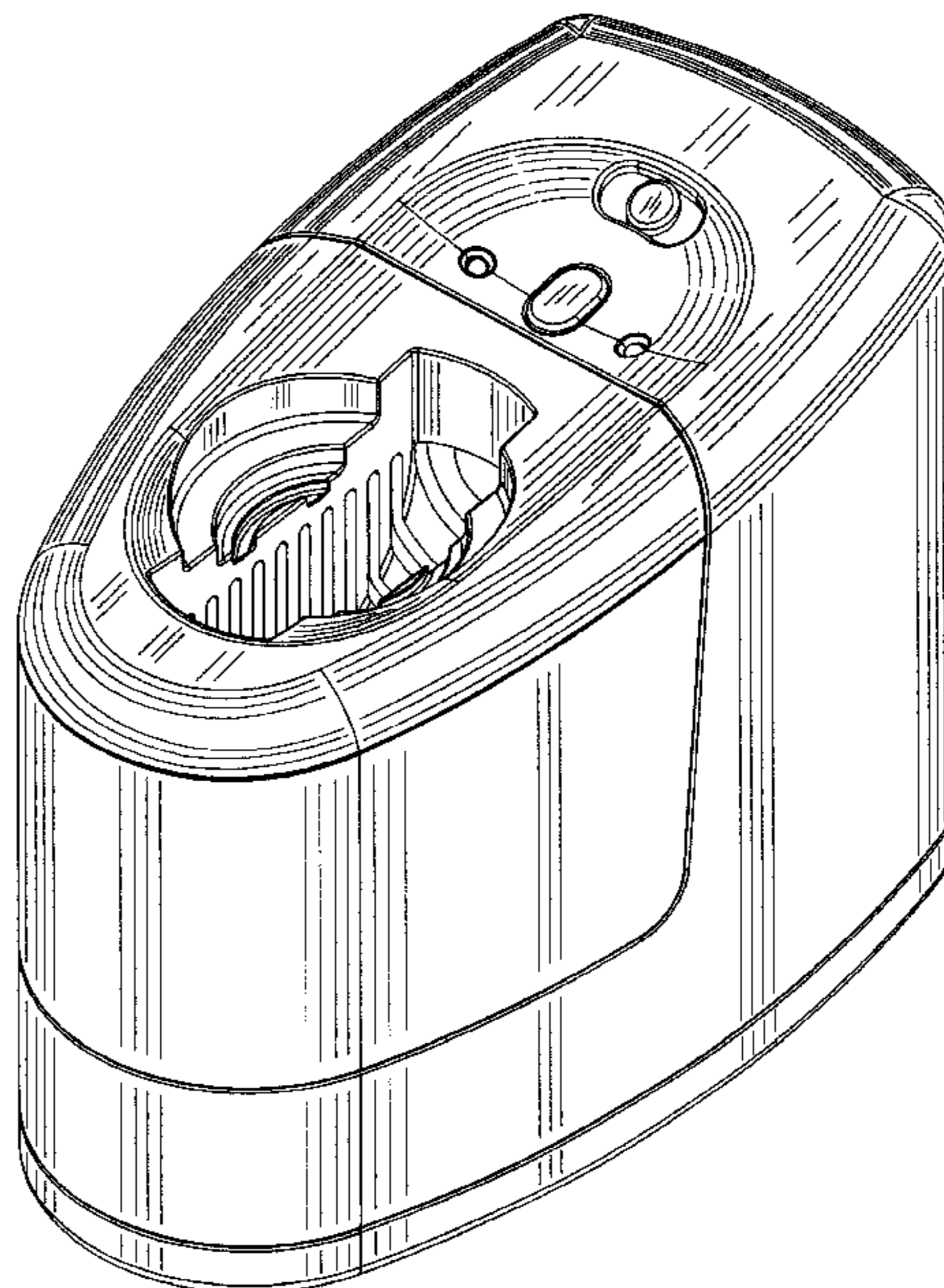
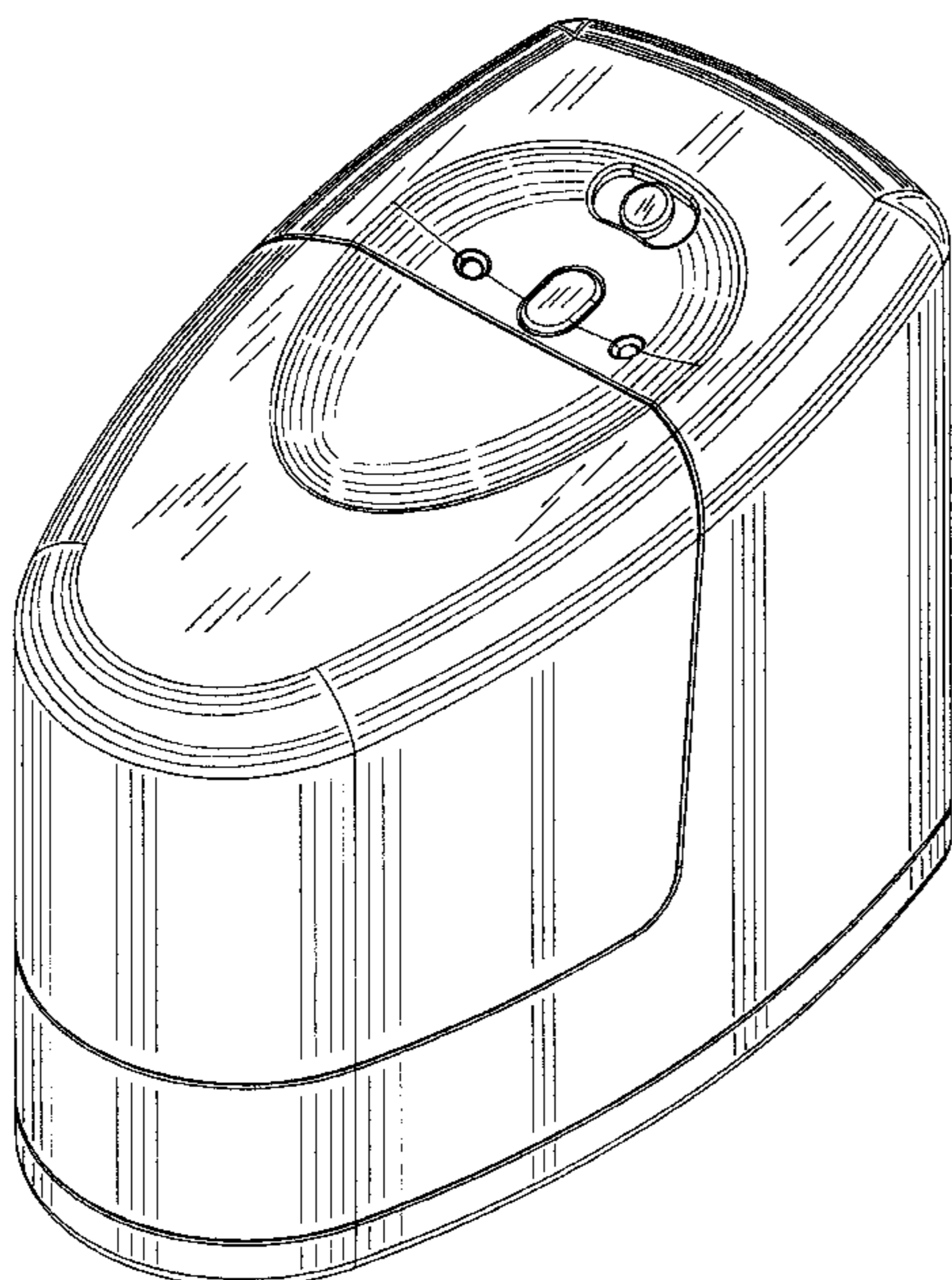
FIG. 8 is a rear perspective view thereof;

FIG. 9 is a top view thereof; The bottom view is flat and unornamented and not shown; and,

FIG. 10 is a front view thereof.

The rear view, left and right side views with the basket-shaped insert are identical with FIGS. 5 and 6 and thus not shown.

1 Claim, 9 Drawing Sheets



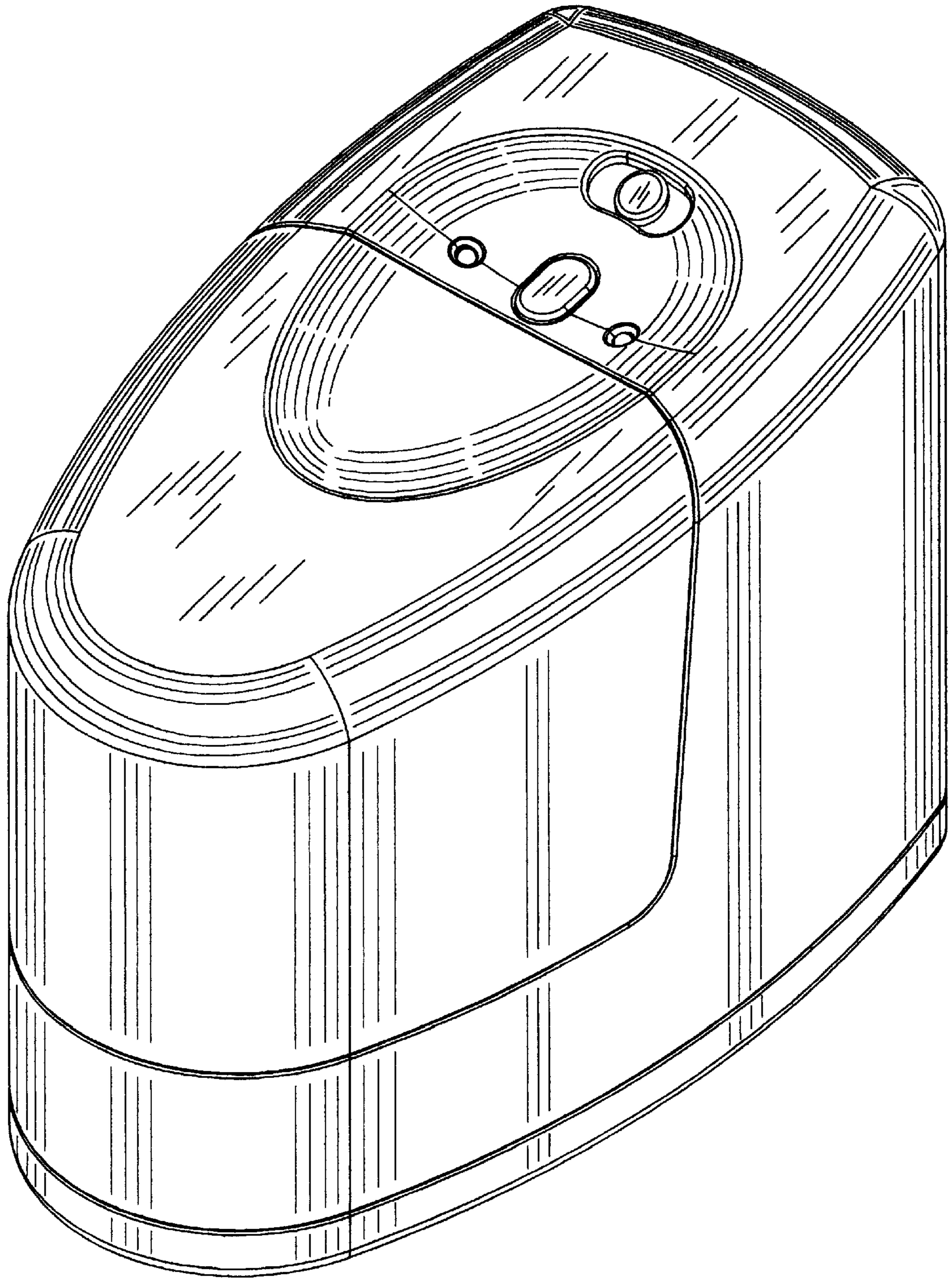


FIG. - 1

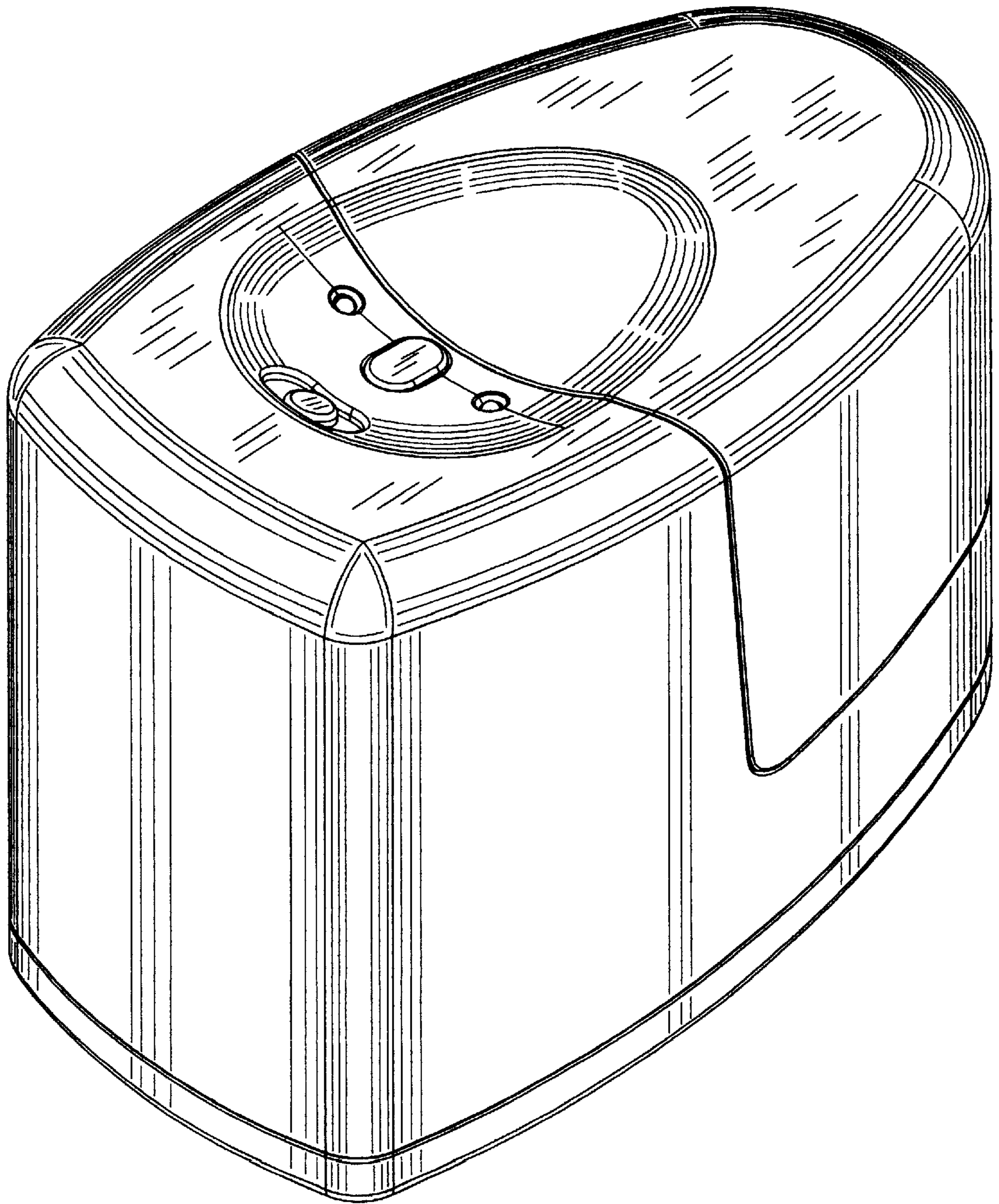


FIG. - 2

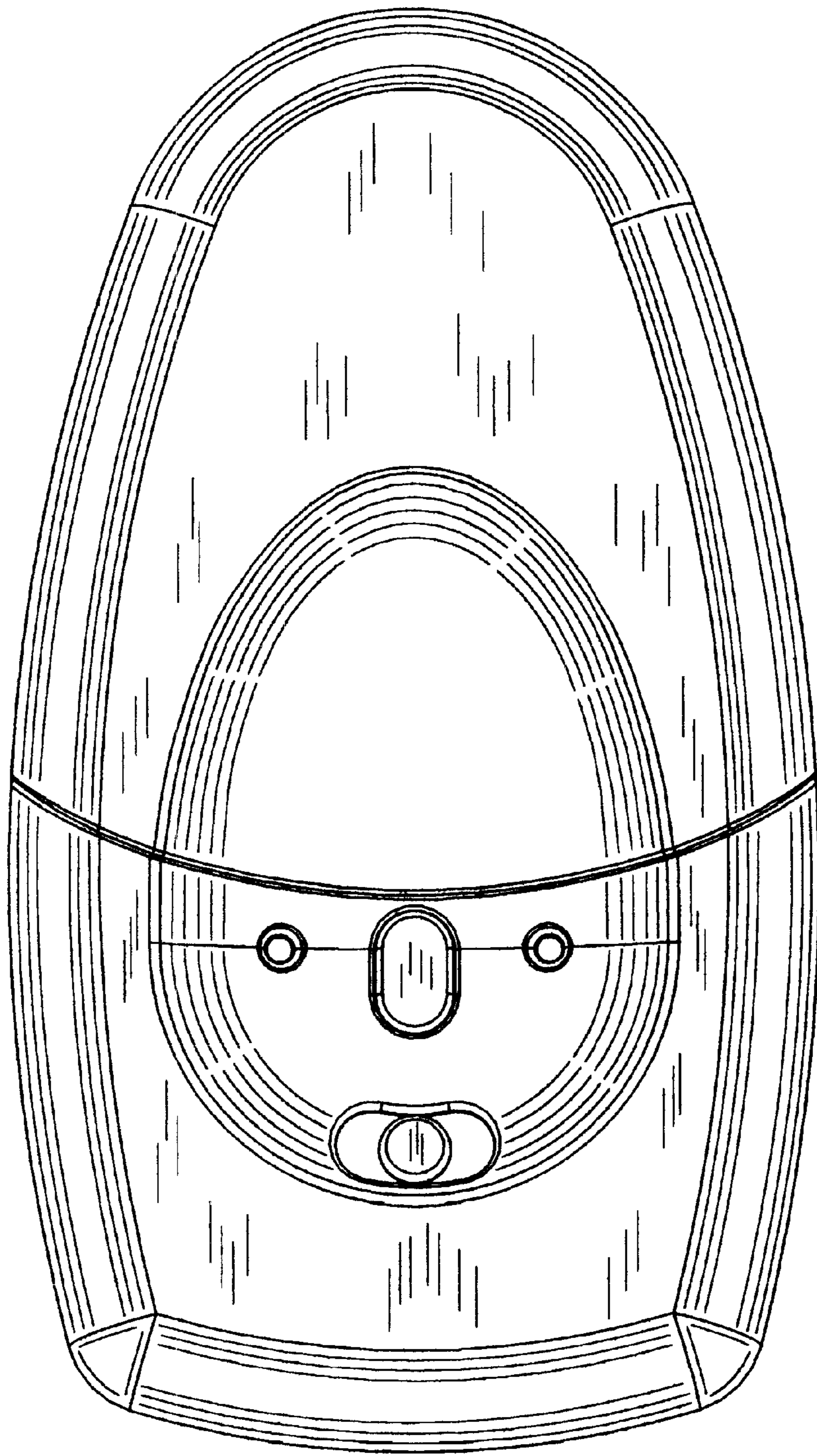


FIG. - 3

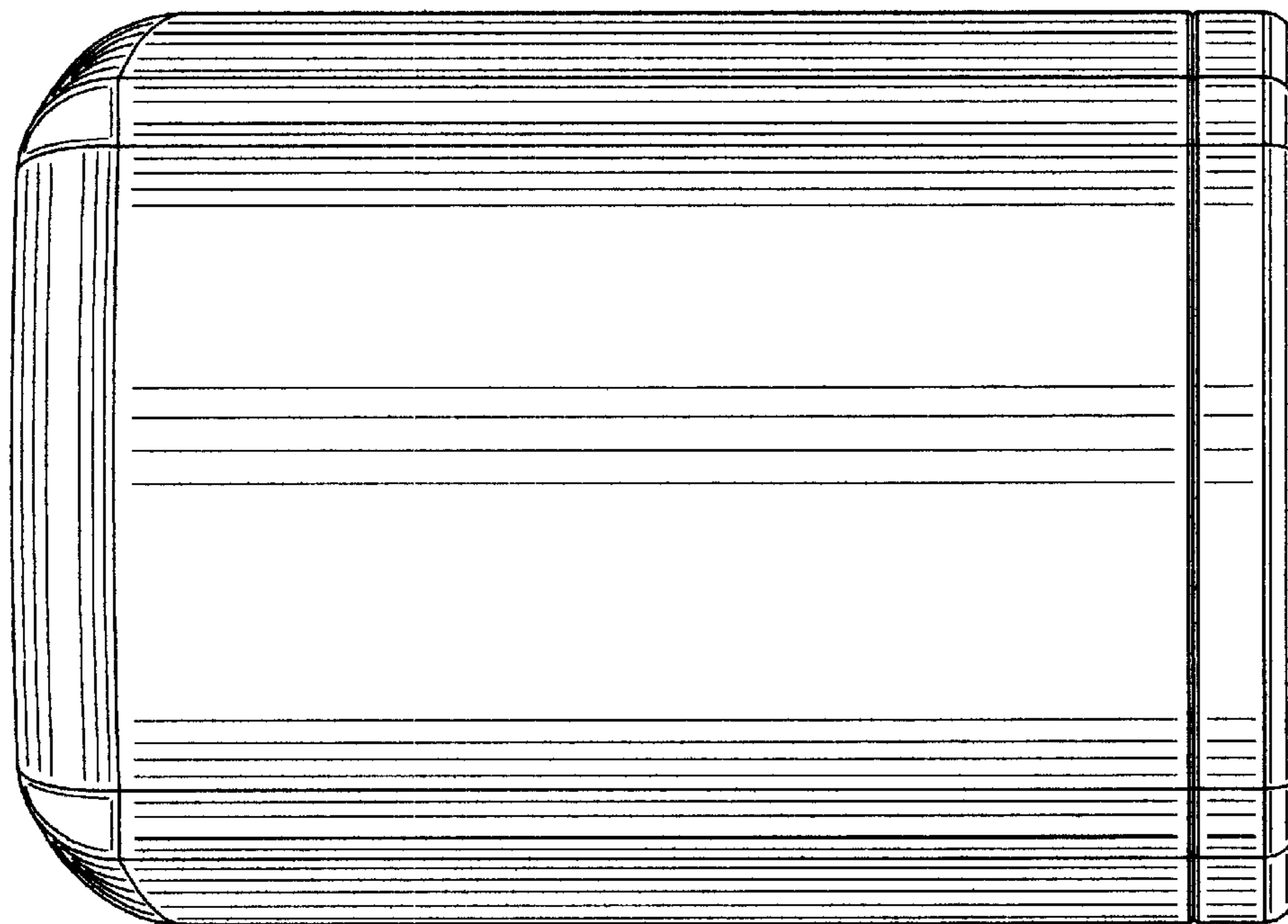


FIG. - 5

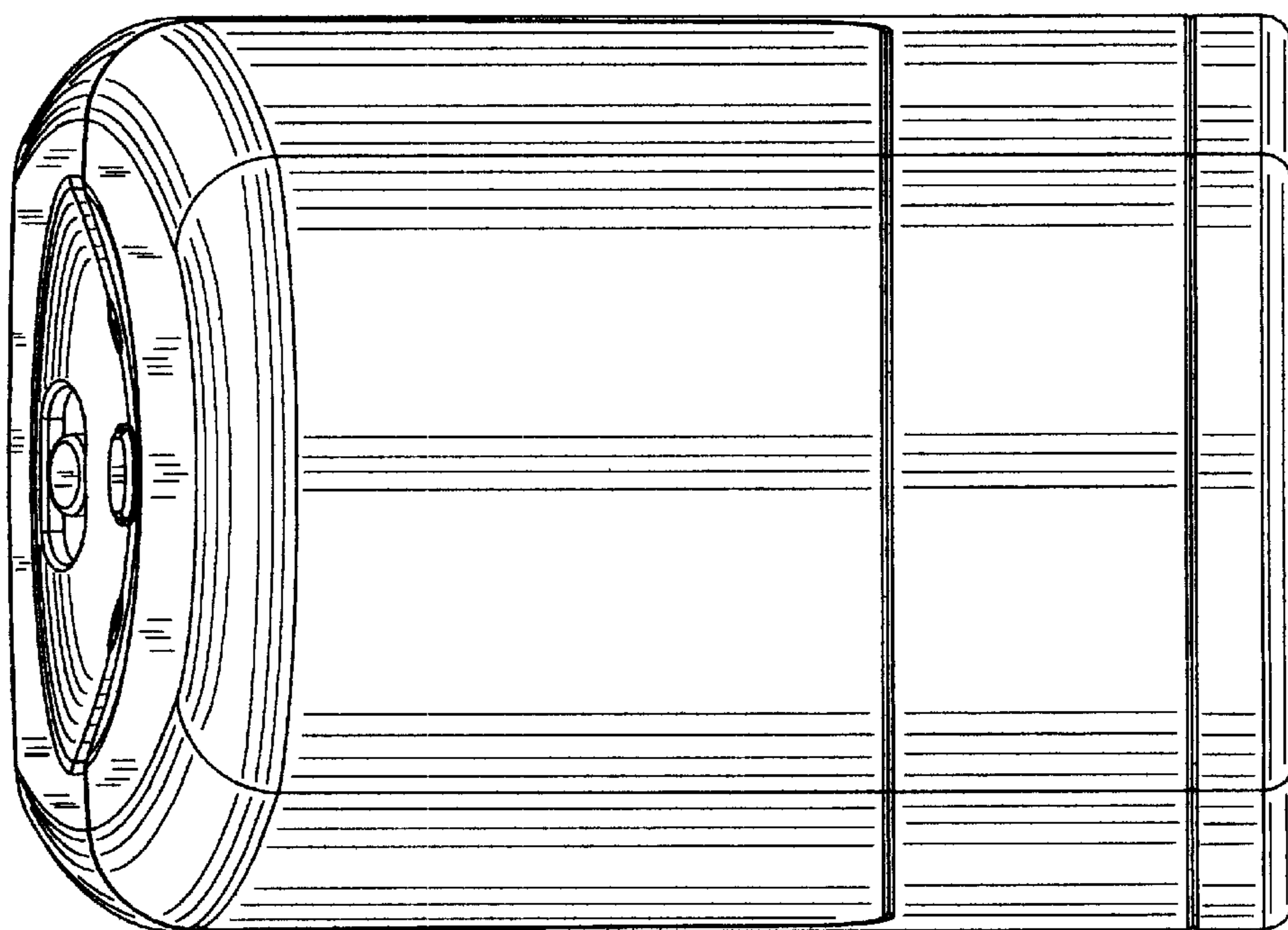


FIG. - 4

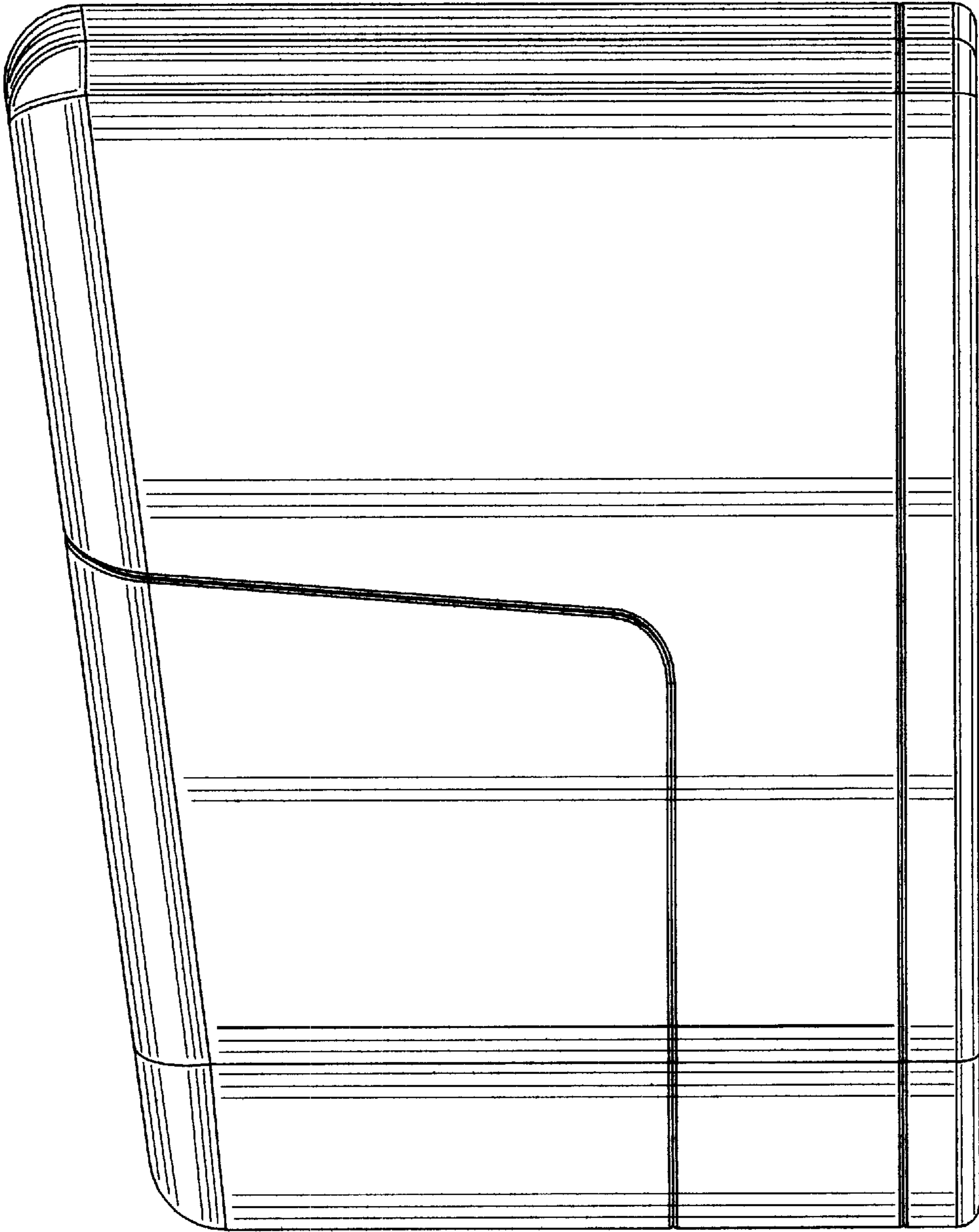


FIG. - 6

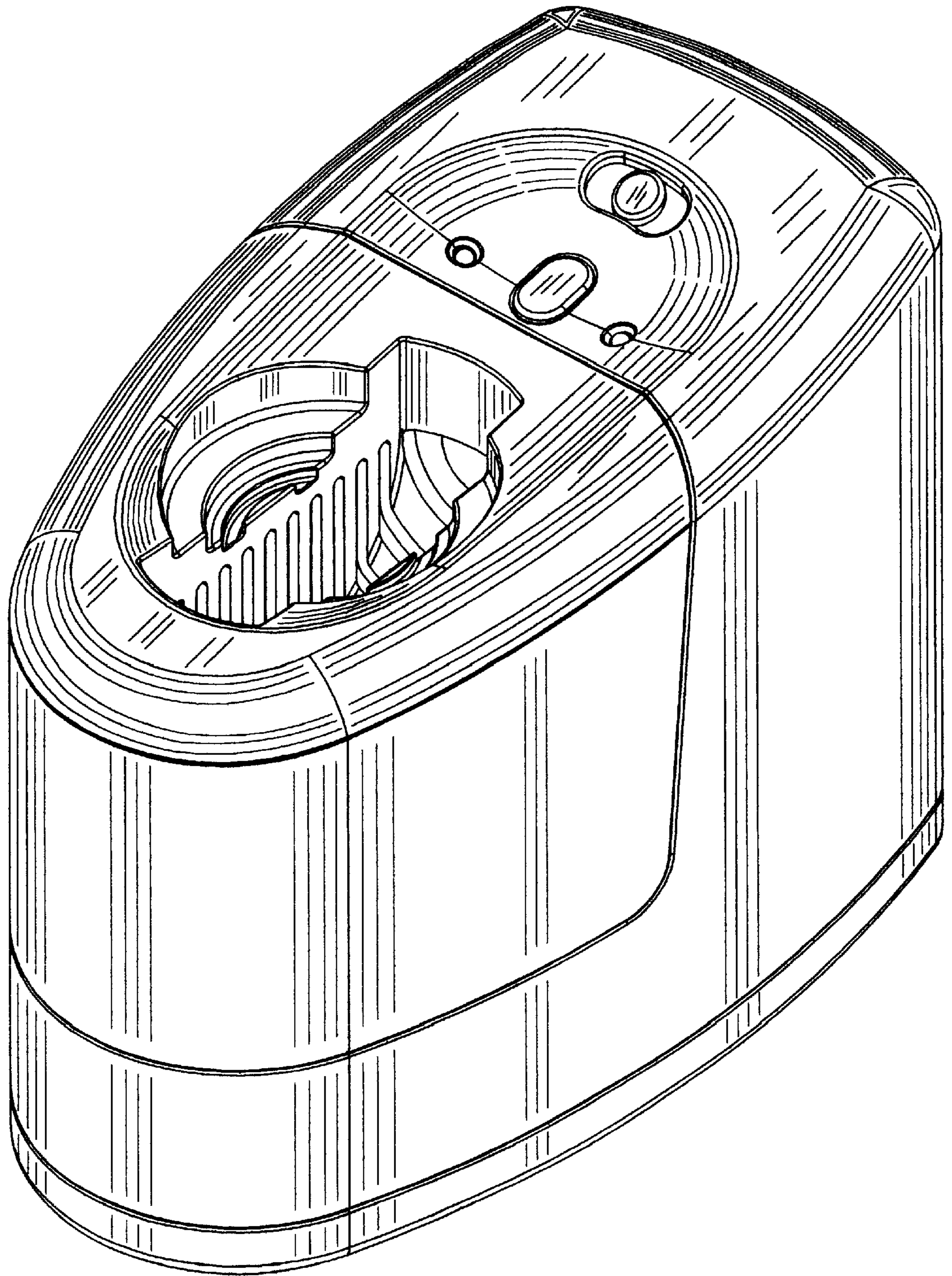


FIG. - 7

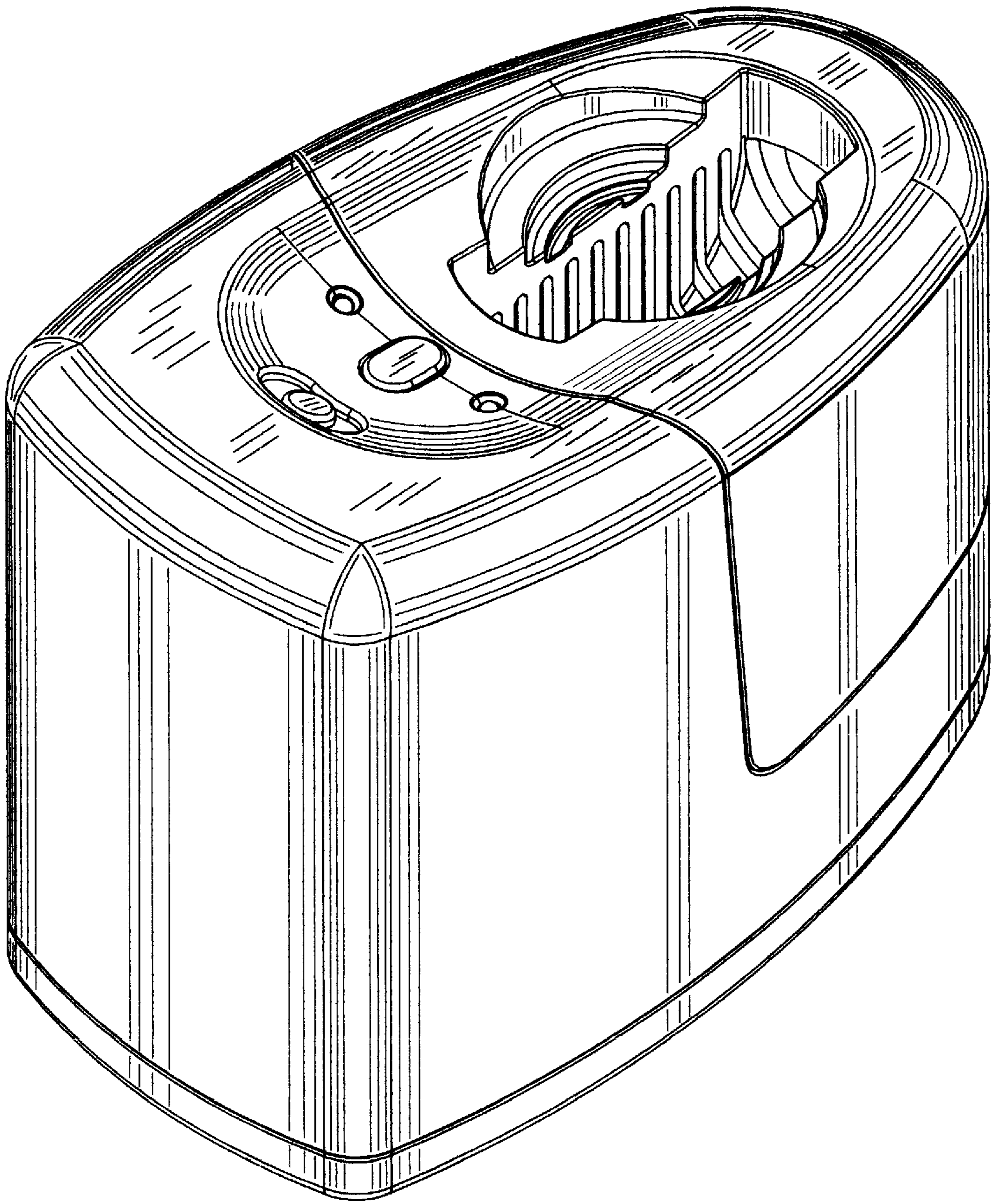


FIG. - 8

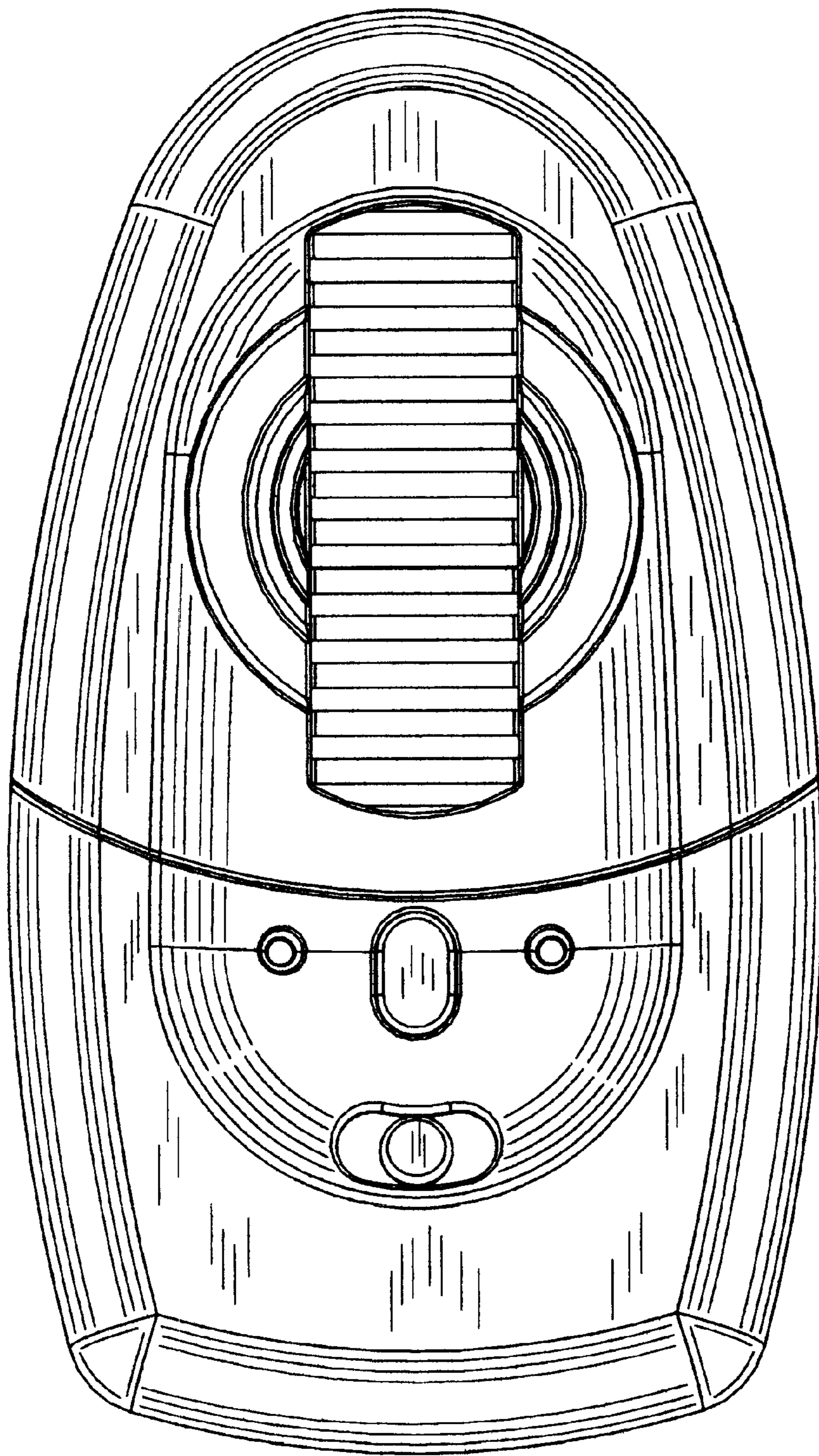


FIG. - 9

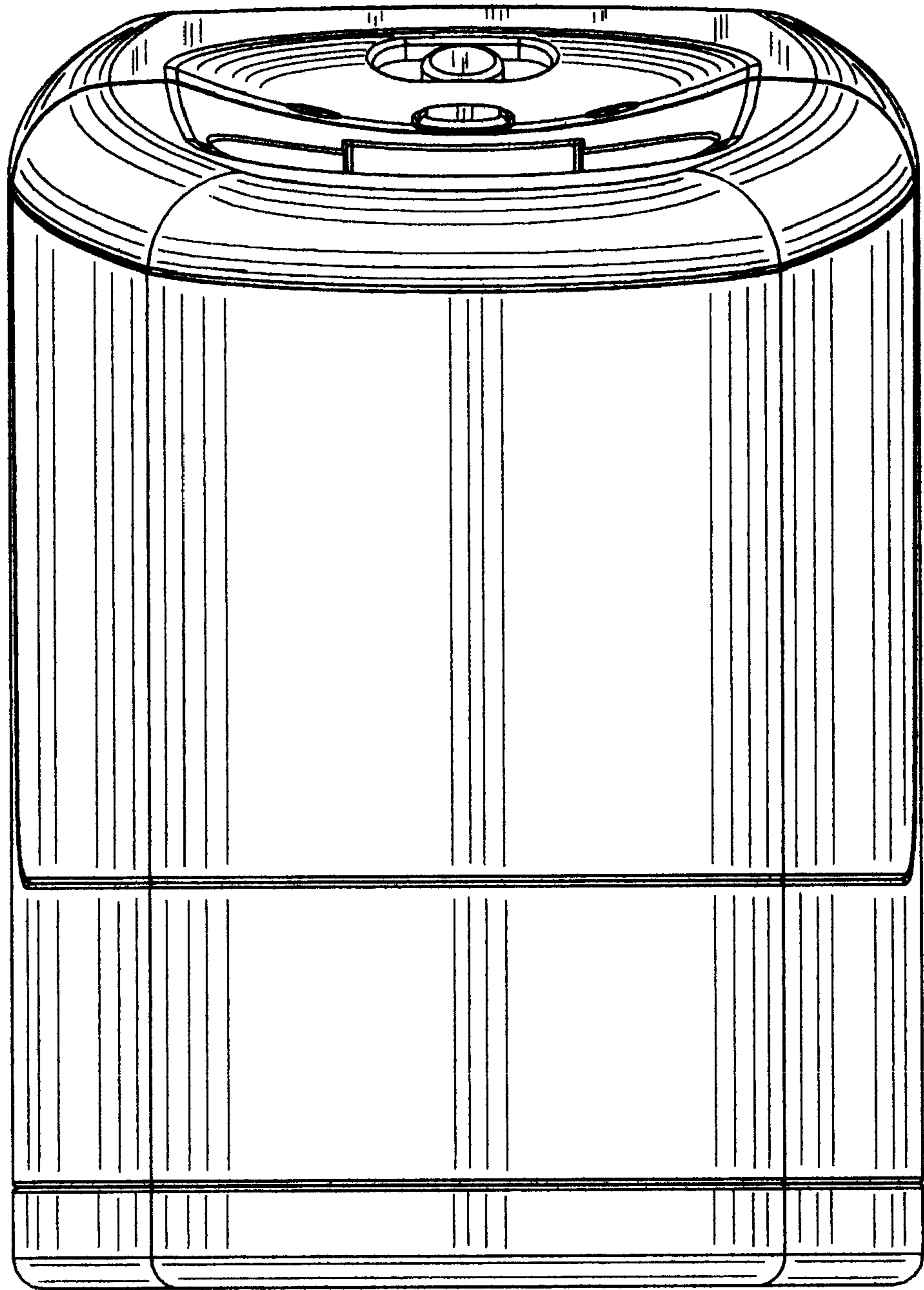


FIG. - 10