



US00D474564S

(12) **United States Design Patent** (10) **Patent No.:** **US D474,564 S**
Reed (45) **Date of Patent:** **** May 13, 2003**

(54) **BIRD FEEDER**

(75) Inventor: **David C. Reed**, Lynn, IN (US)

(73) Assignee: **Beck's Bird Feeders**, Williamsburg, IN (US)

(**) Term: **14 Years**

(21) Appl. No.: **29/165,632**

(22) Filed: **Aug. 14, 2002**

(51) **LOC (7) Cl.** **30-03**

(52) **U.S. Cl.** **D30/128**

(58) **Field of Search** D30/108, 117, D30/121, 124, 128; 119/57.8-57.9, 52.3, 52.1, 52.2, 468, 433, 429, 61, 51.01, 51.03, 51.5, 72, 54, 77, 60

(56) **References Cited**

U.S. PATENT DOCUMENTS

D273,429 S * 4/1984 Kilham D30/128
5,758,598 A * 6/1998 Rothert 119/61
6,199,509 B1 * 3/2001 Mostyn et al. 119/51.01

* cited by examiner

Primary Examiner—Pamela Burgess

(74) *Attorney, Agent, or Firm*—Woodard, Emhardt, Naughton, Moriarty & McNett LLP

(57) **CLAIM**

The ornamental design for a bird feeder, as shown and described.

DESCRIPTION

FIG. 1 is a left side elevational view of a bird feeder showing my new design, the right side elevational view being a mirror image;

FIG. 2 is a front elevational view thereof, the rear elevational view being a mirror image;

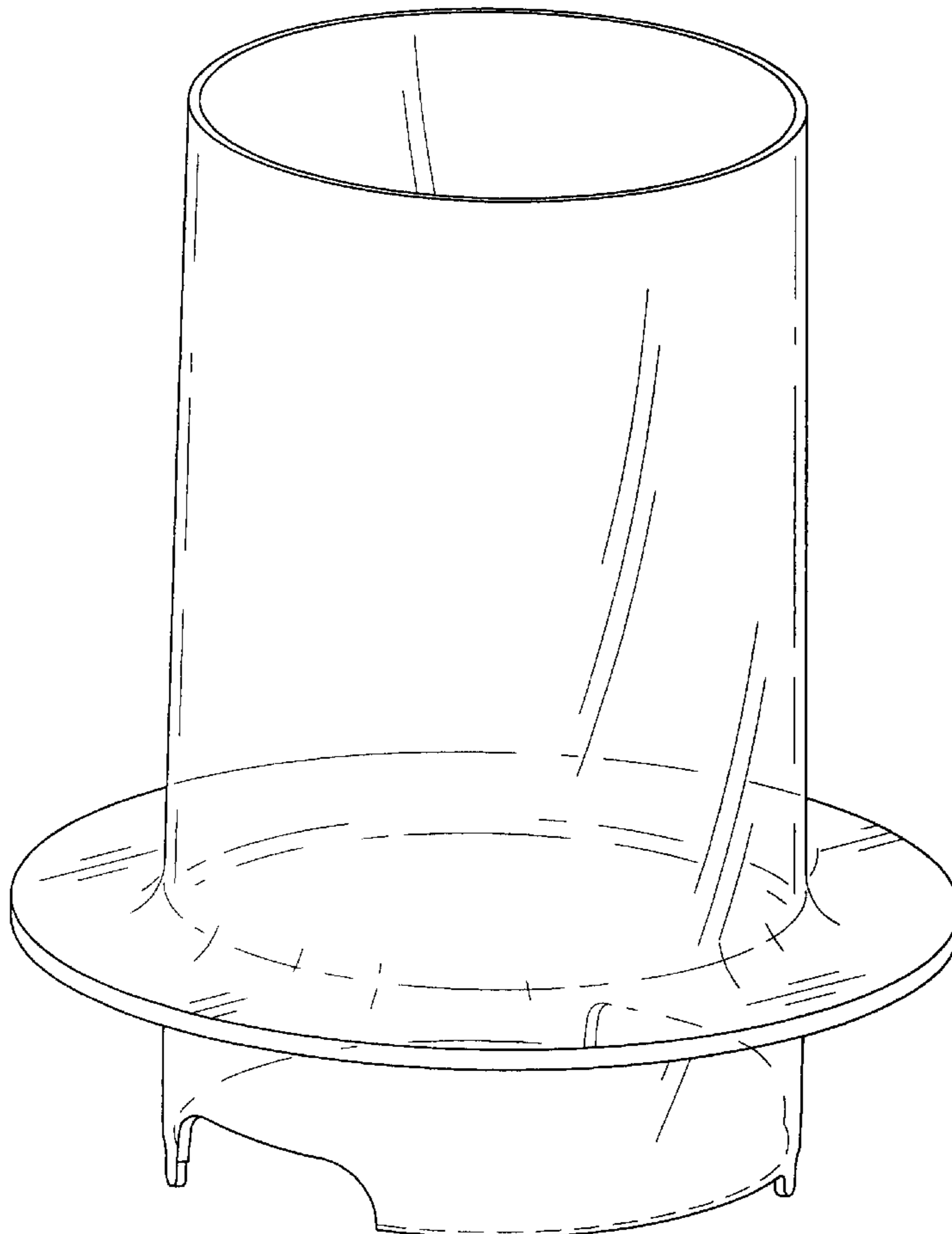
FIG. 3 is a bottom plan view thereof;

FIG. 4 is a top plan view thereof;

FIG. 5 is a front, left, top perspective view thereof; and,

FIG. 6 is a front, left, top perspective view thereof, the broken lines shown are considered environmental and form no part of the claimed design.

1 Claim, 6 Drawing Sheets



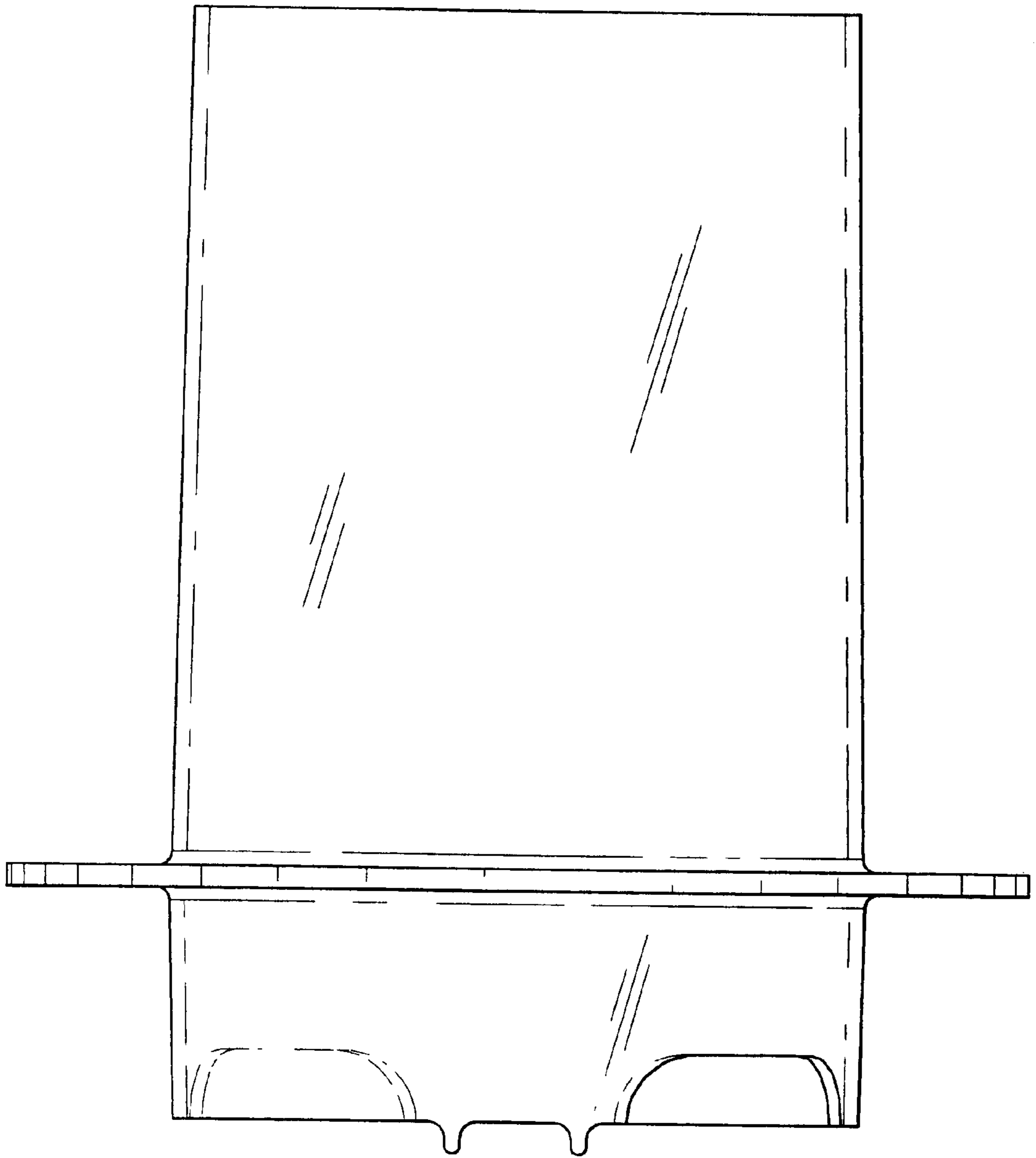


Fig. 1

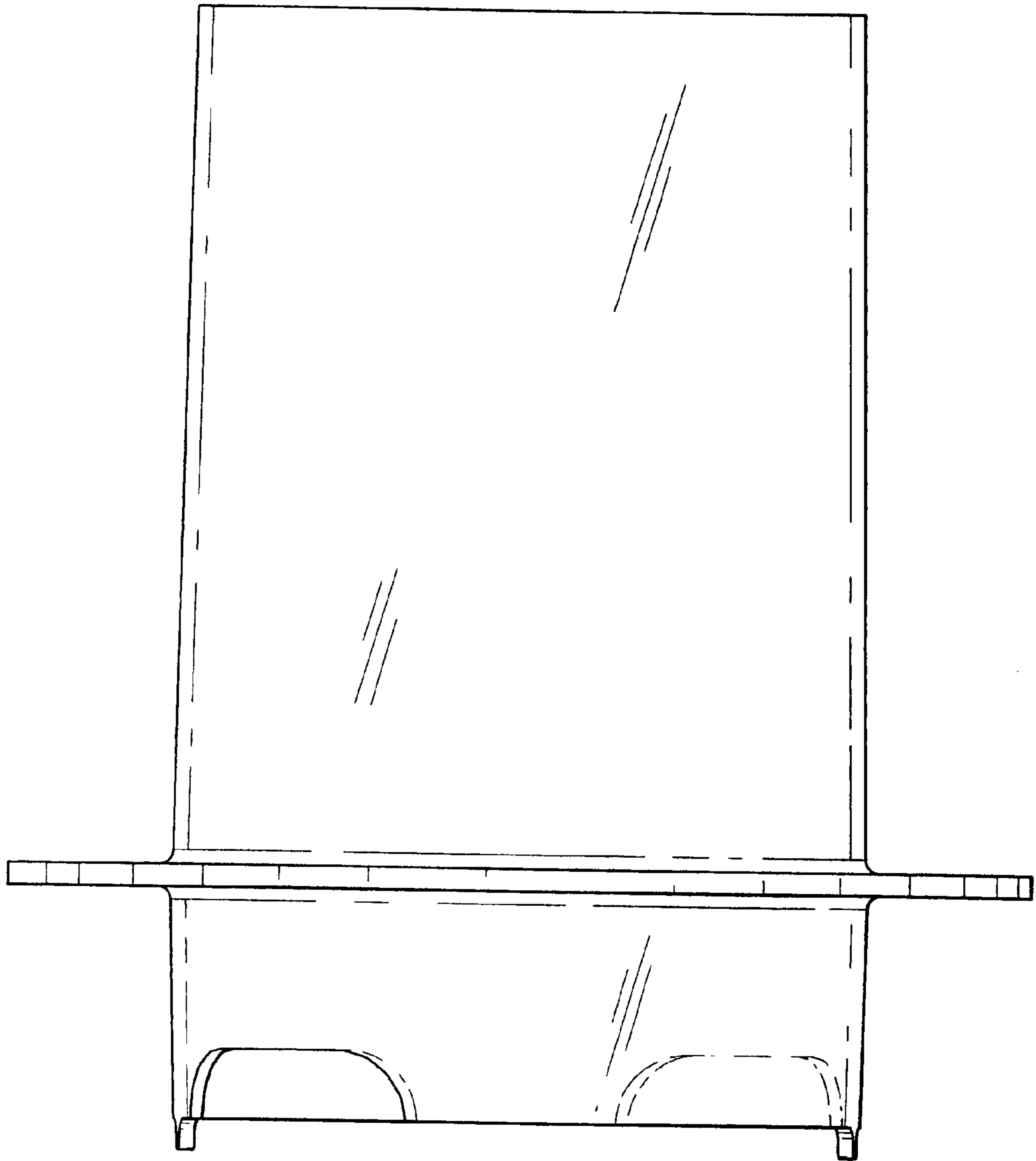


Fig. 2

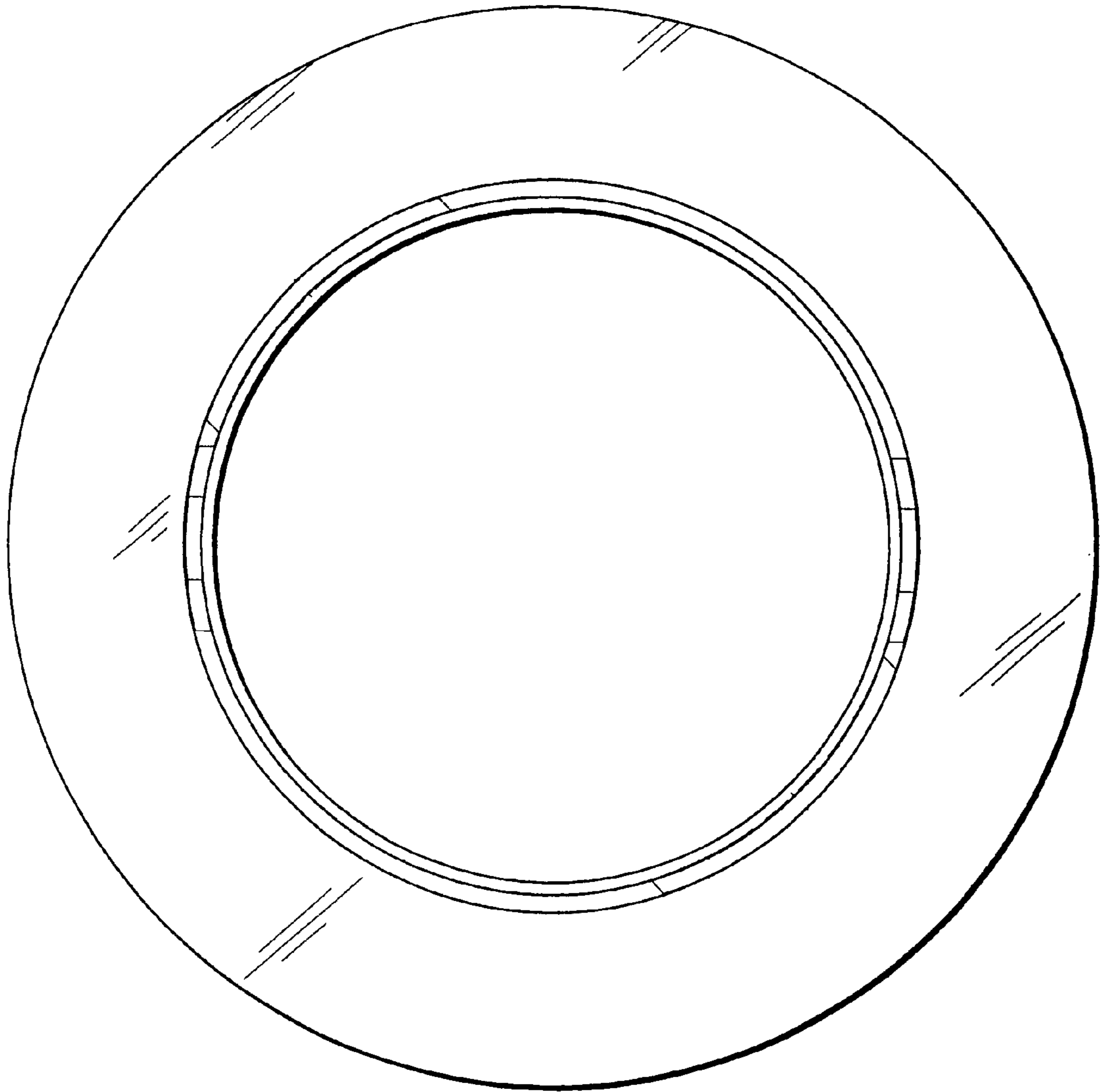


Fig. 3

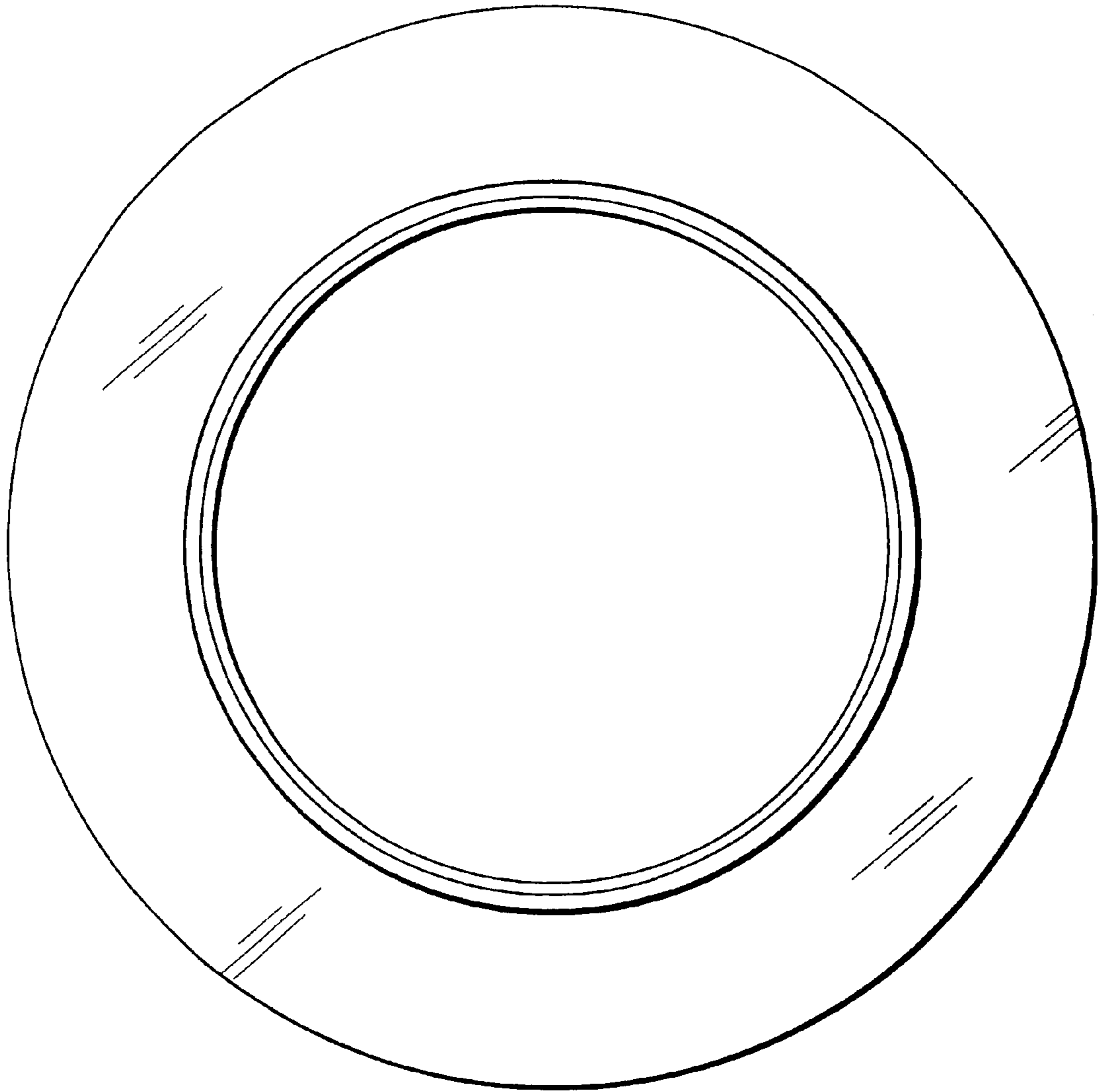


Fig. 4

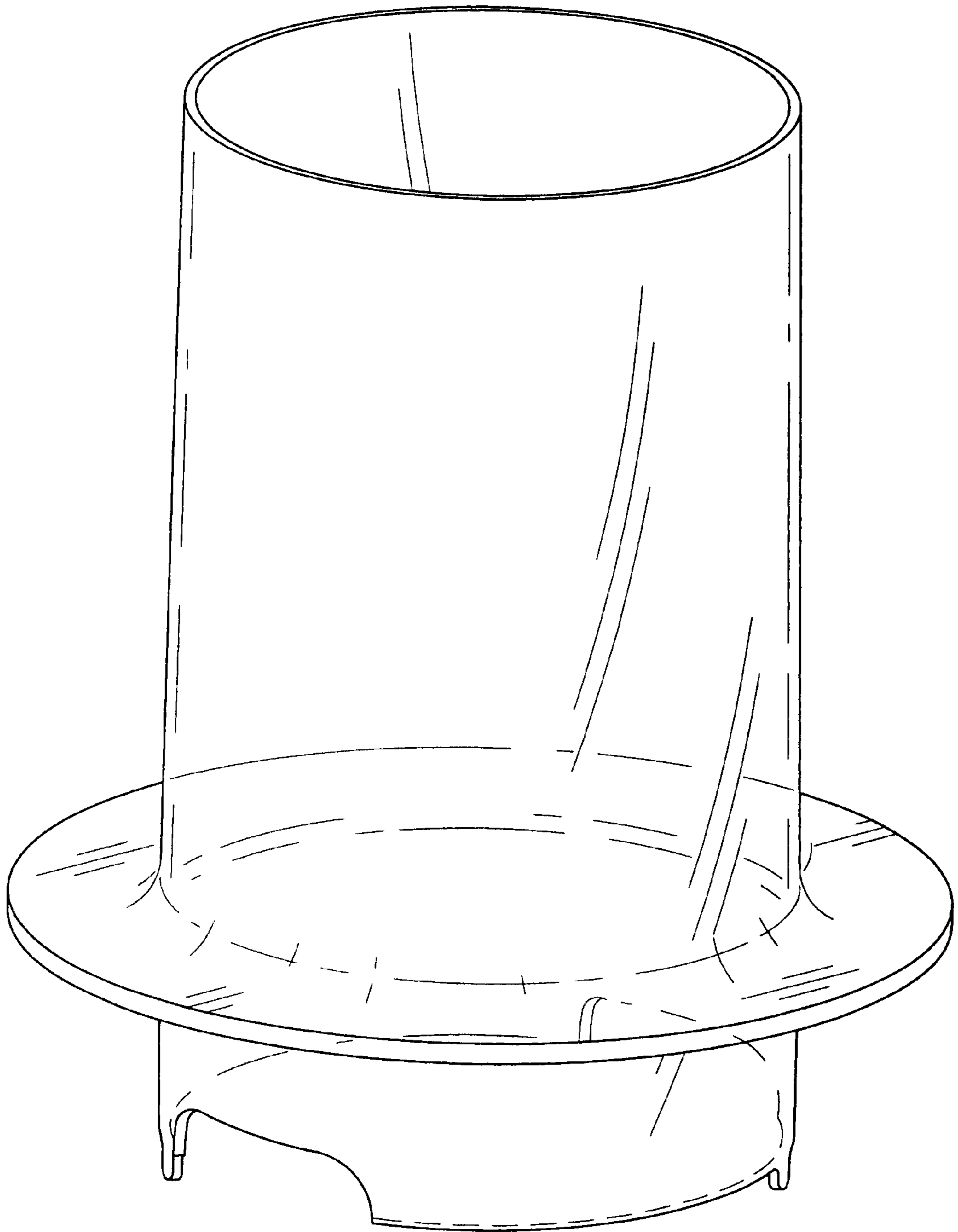


Fig. 5

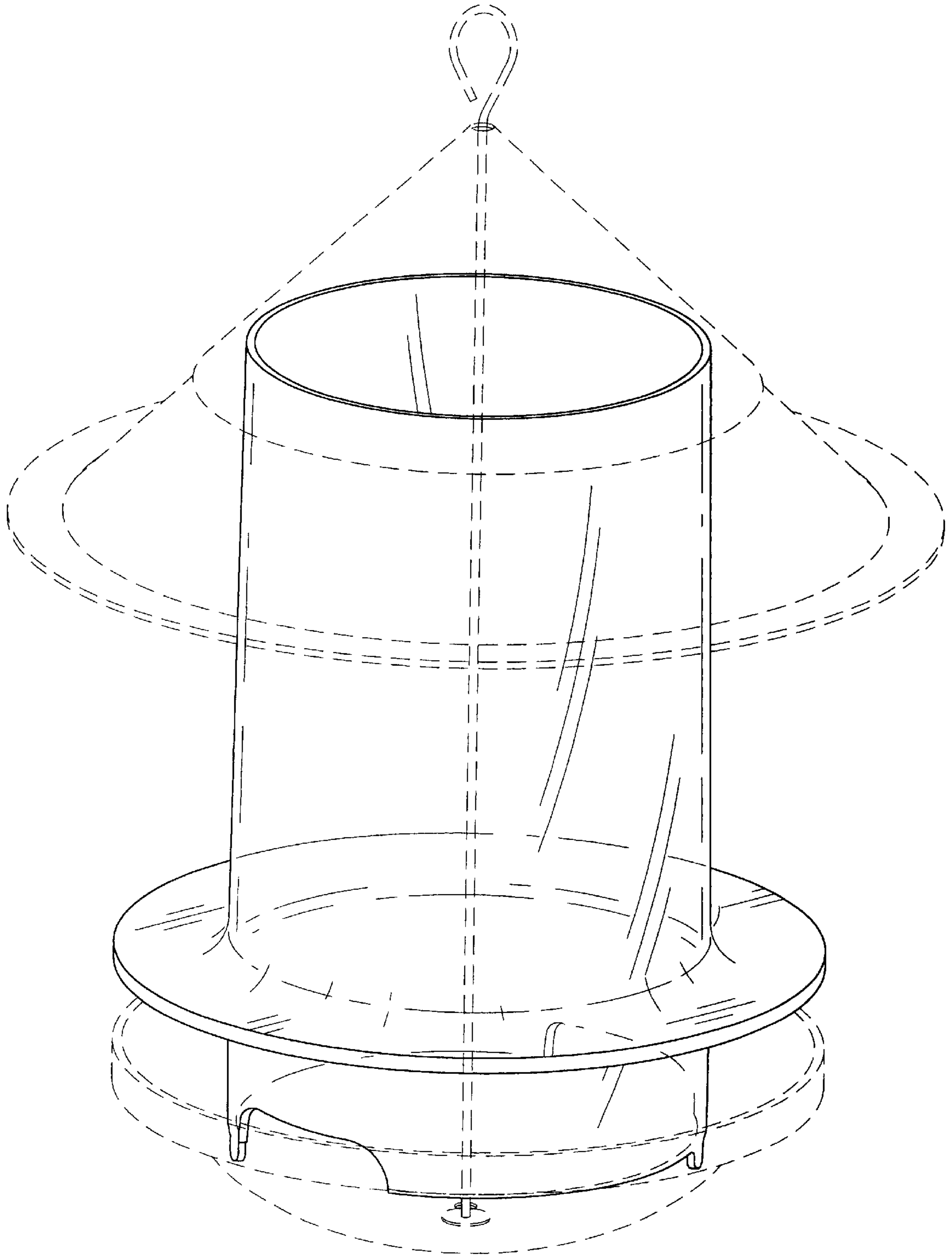


Fig. 6