



US00D474562S

(12) **United States Design Patent**  
**Shimizu**

(10) **Patent No.:** **US D474,562 S**

(45) **Date of Patent:** **\*\* May 13, 2003**

(54) **HAIR PROCESSING ACCELERATOR**

FOREIGN PATENT DOCUMENTS

(75) Inventor: **Hirohisa Shimizu**, Osaka (JP)

TW 478918 3/2002

(73) Assignee: **Oohiro Works, Ltd.** (JP)

\* cited by examiner

(\*\*) Term: **14 Years**

*Primary Examiner*—Lucy Lieberman

(21) Appl. No.: **29/140,285**

(74) *Attorney, Agent, or Firm*—Wall Marjama & Bilinski LLP

(22) Filed: **Apr. 16, 2001**

(57) **CLAIM**

(30) **Foreign Application Priority Data**

The ornamental design for a hair processing accelerator, as shown and described.

Oct. 20, 2000 (JP) ..... 2000-029946

**DESCRIPTION**

(51) **LOC (7) Cl.** ..... **28-03**

FIG. 1 is a front view of a hair processing accelerator in accordance with my new design;

(52) **U.S. Cl.** ..... **D28/16; D28/17**

FIG. 2 is a back view thereof;

(58) **Field of Search** ..... D28/10, 16, 17,  
D28/18, 20, 12, 19; 132/212; 34/96-100;  
392/380; 219/222

FIG. 3 is a left side view thereof;

FIG. 4 is a right side view thereof;

FIG. 5 is a top view thereof;

FIG. 6 is a bottom view thereof;

(56) **References Cited**

**U.S. PATENT DOCUMENTS**

- 3,861,060 A \* 1/1975 McNair ..... 34/97
- D235,383 S \* 6/1975 McNair ..... D28/18
- 4,910,382 A \* 3/1990 Kakuya et al. .... 219/222
- D321,411 S \* 11/1991 Moll ..... D28/17
- 5,063,688 A \* 11/1991 Moll et al. .... 34/97
- D408,100 S \* 4/1999 Minami ..... D28/17
- D409,331 S \* 5/1999 Minami ..... D28/17

FIG. 7 is a cross sectional view taken along line A—A in FIG. 1;

FIG. 8 is a cross sectional cut showing the plane taken along line B—B in FIG. 4;

FIG. 9 is a perspective view thereof;

FIG. 10 is a front view of the hair processing accelerator shown with the heating units in an alternate position; and,

FIG. 11 is a perspective view of the hair processing accelerator shown with the heating units in another position.

**FOREIGN PATENT DOCUMENTS**

TW 478918 3/2002

**1 Claim, 6 Drawing Sheets**

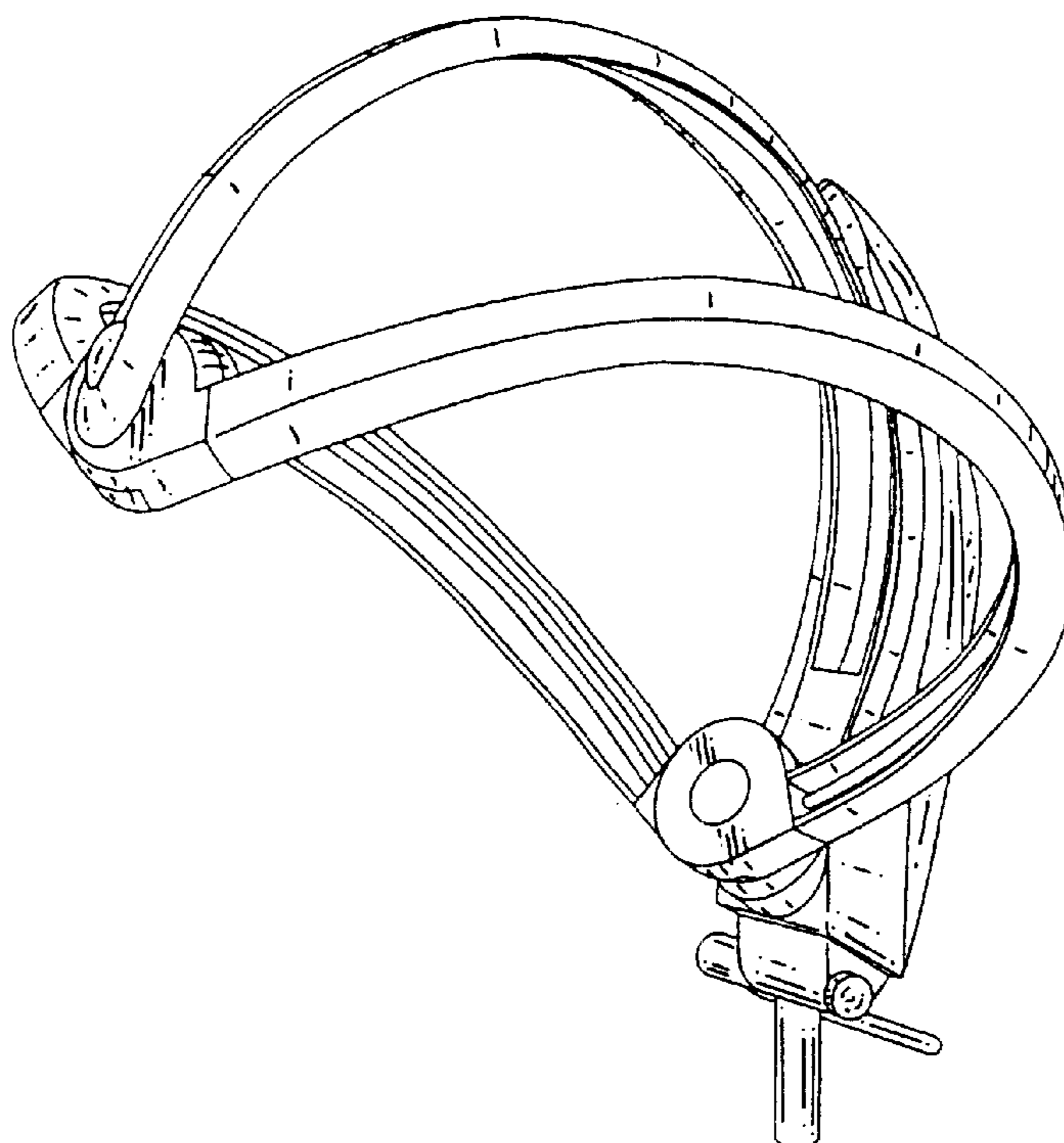


Fig.1

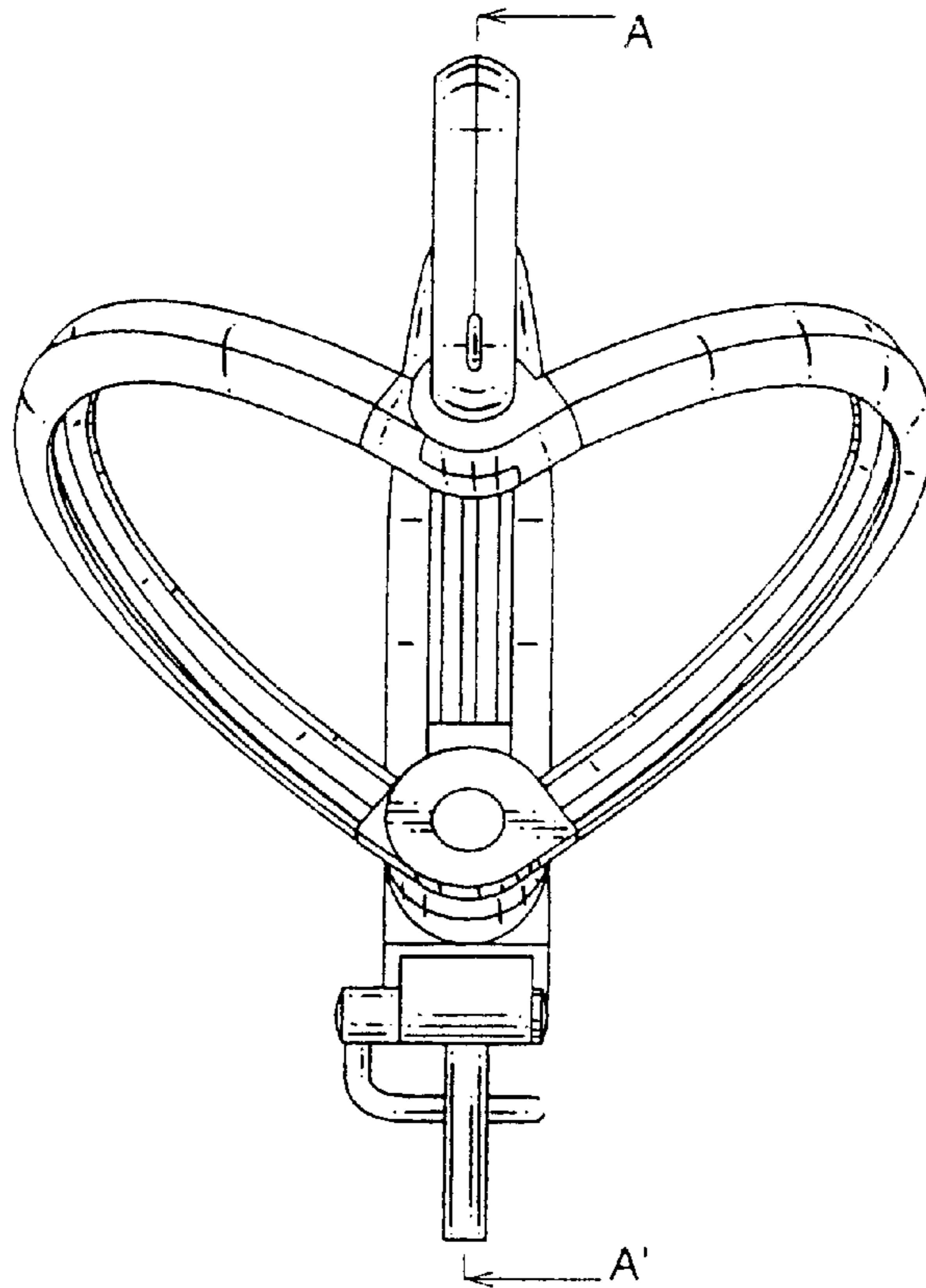


Fig.2

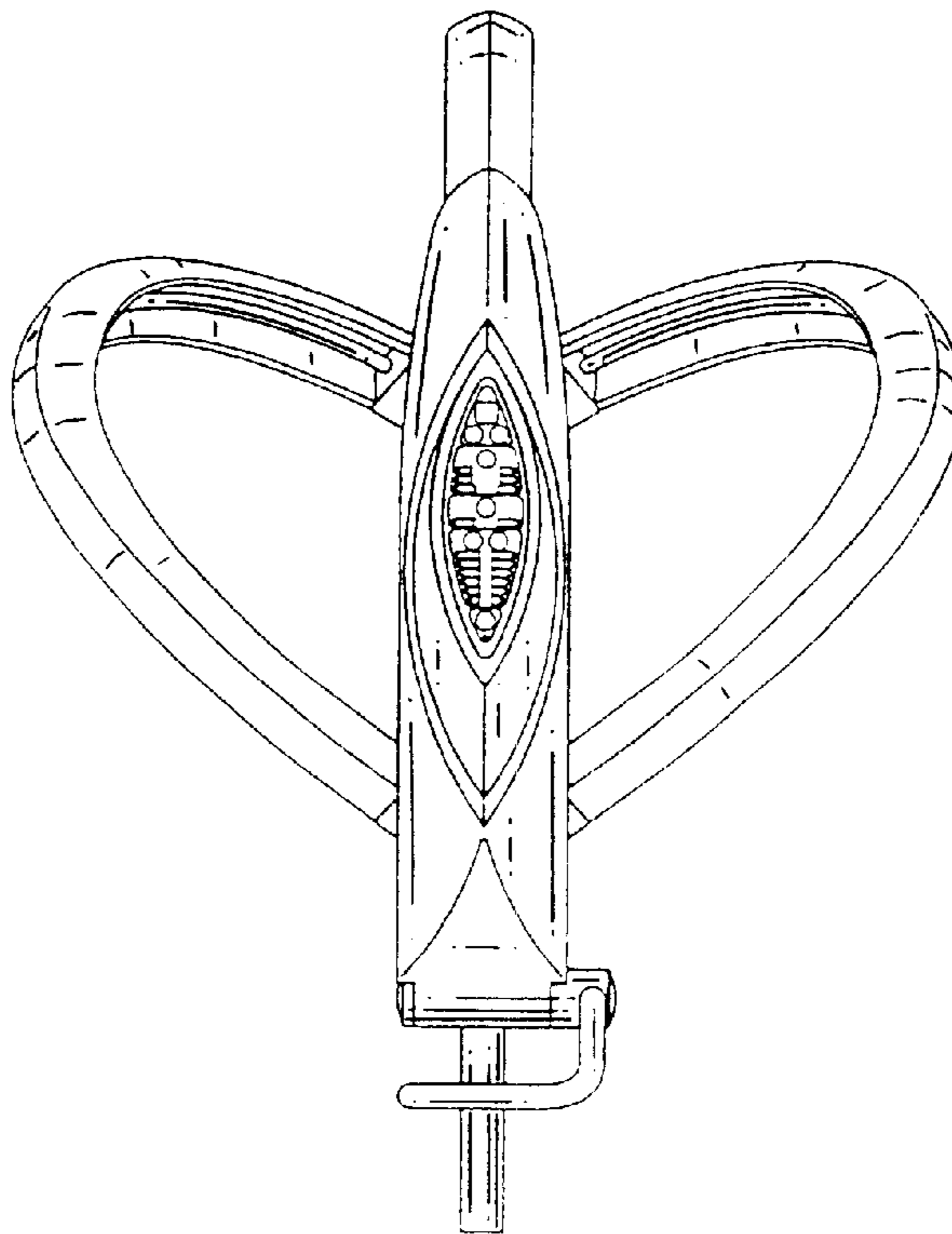


Fig.3

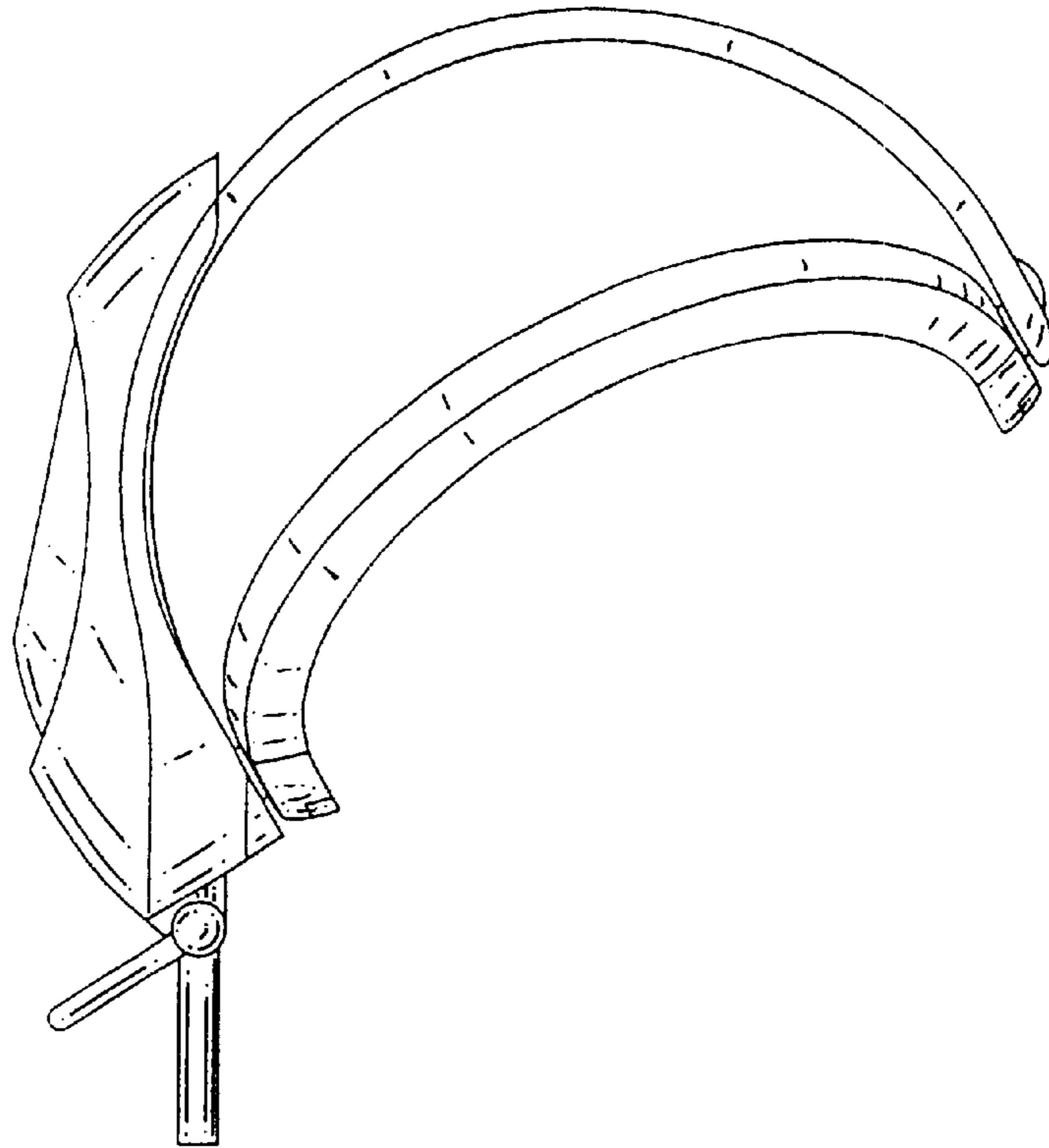


Fig.4

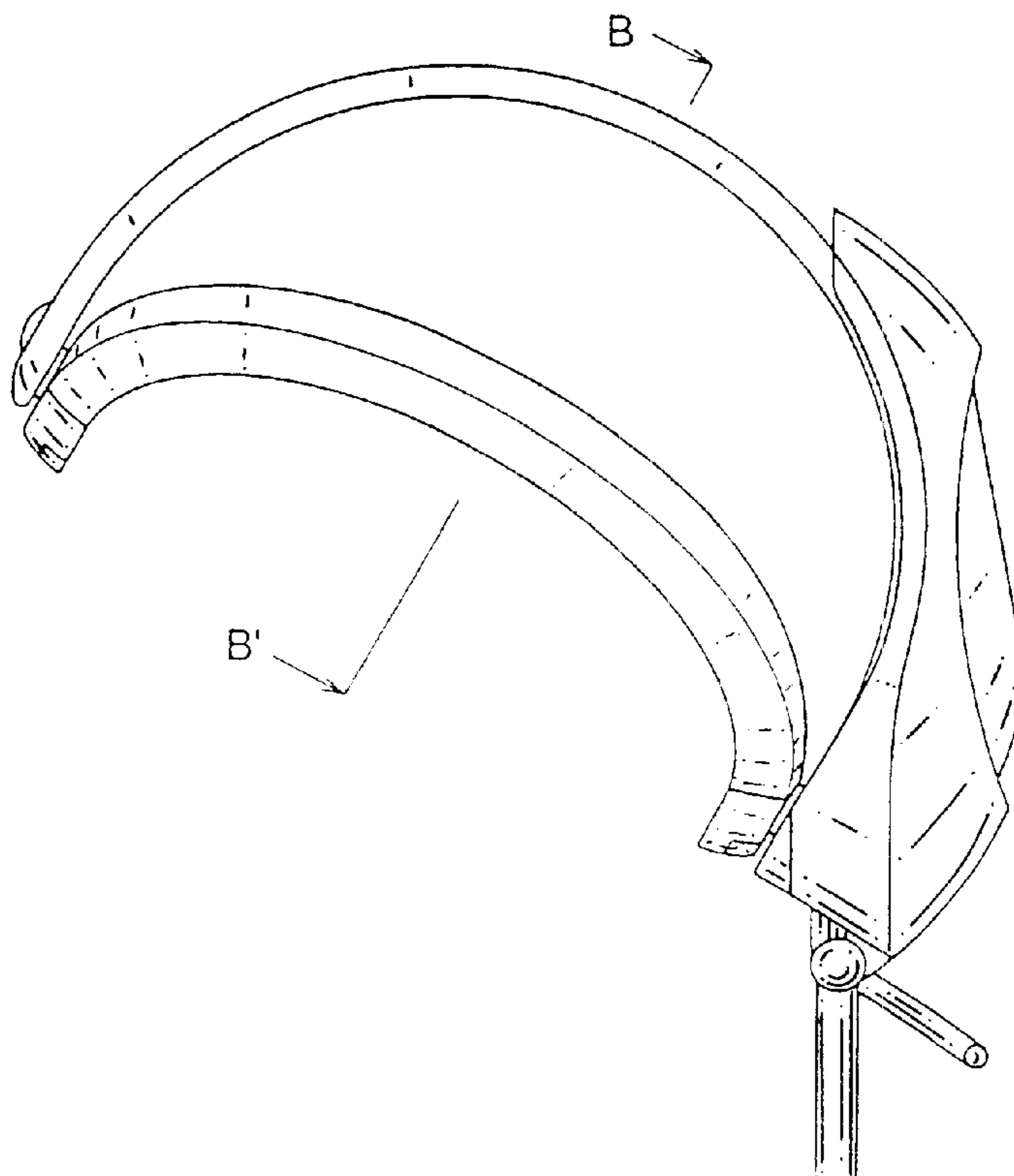


Fig.5

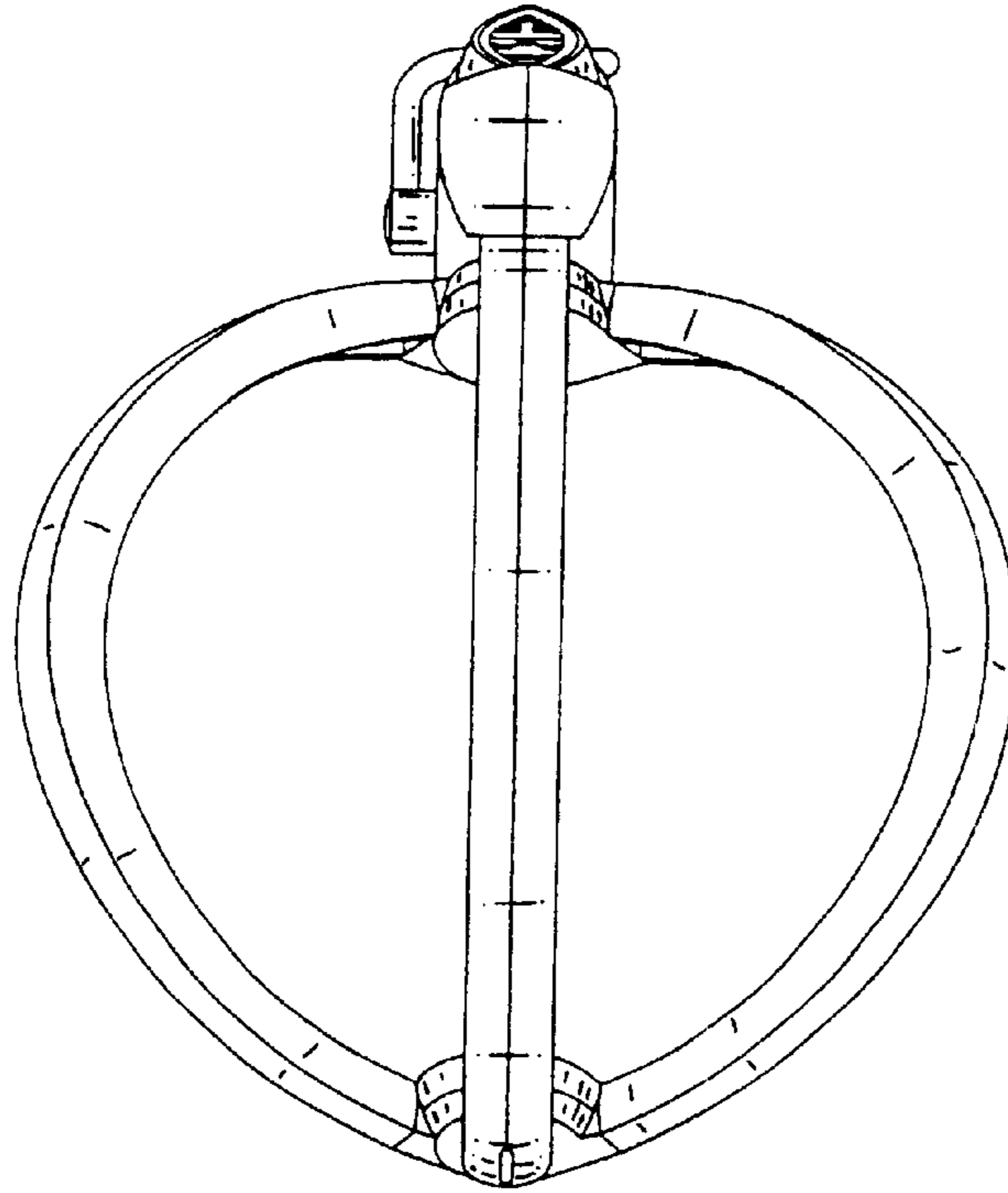


Fig.6

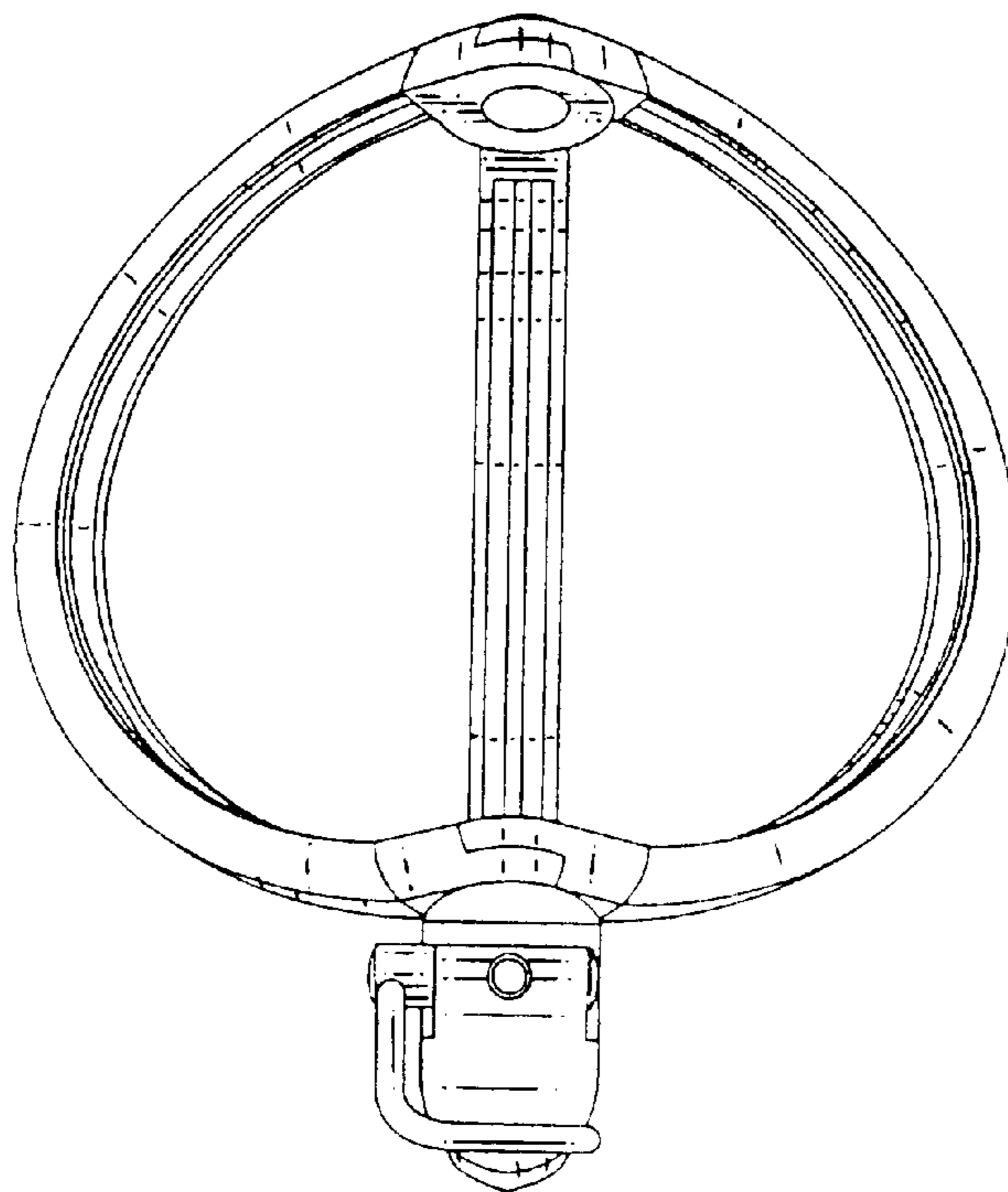


Fig.7

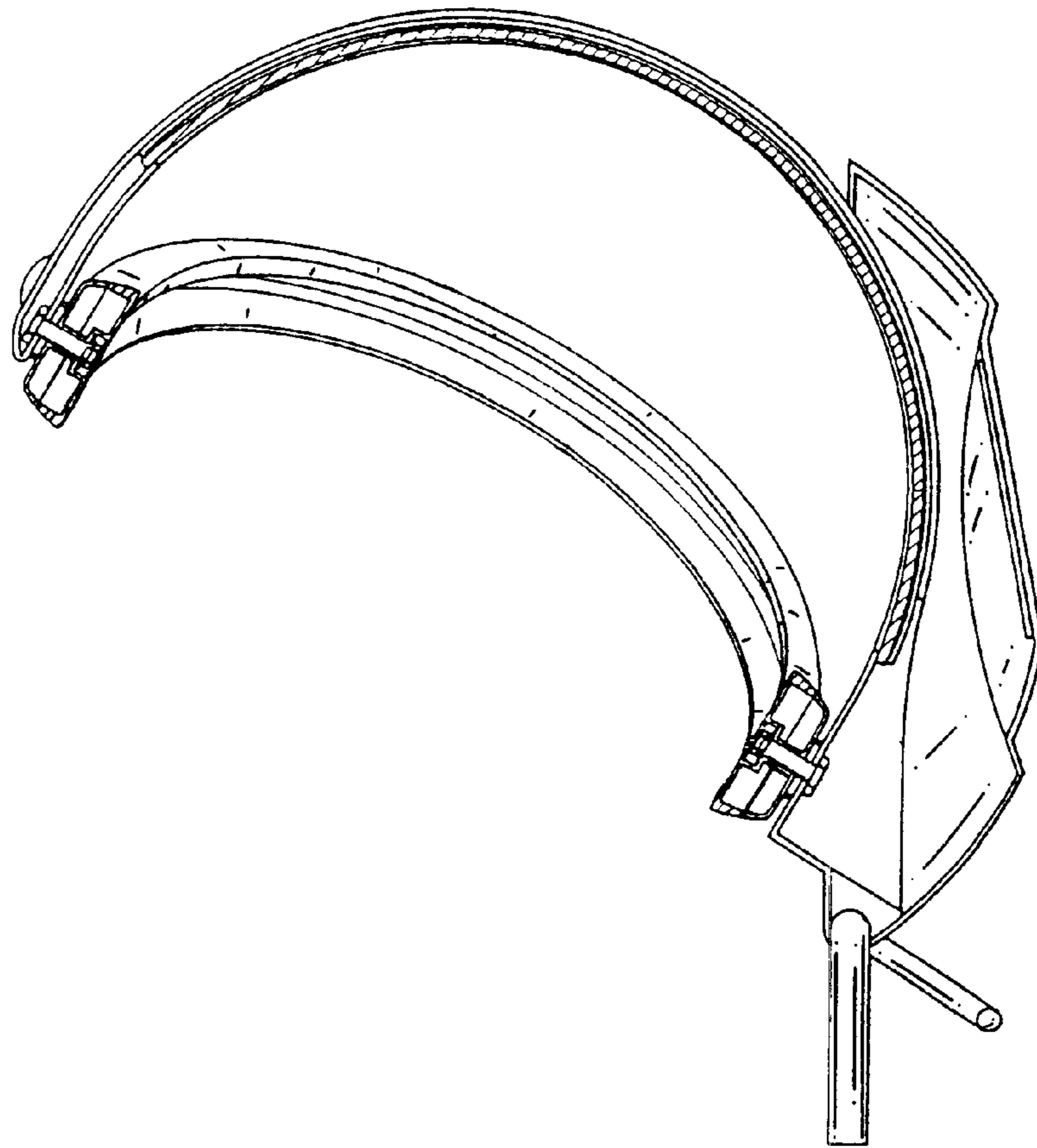


Fig.8

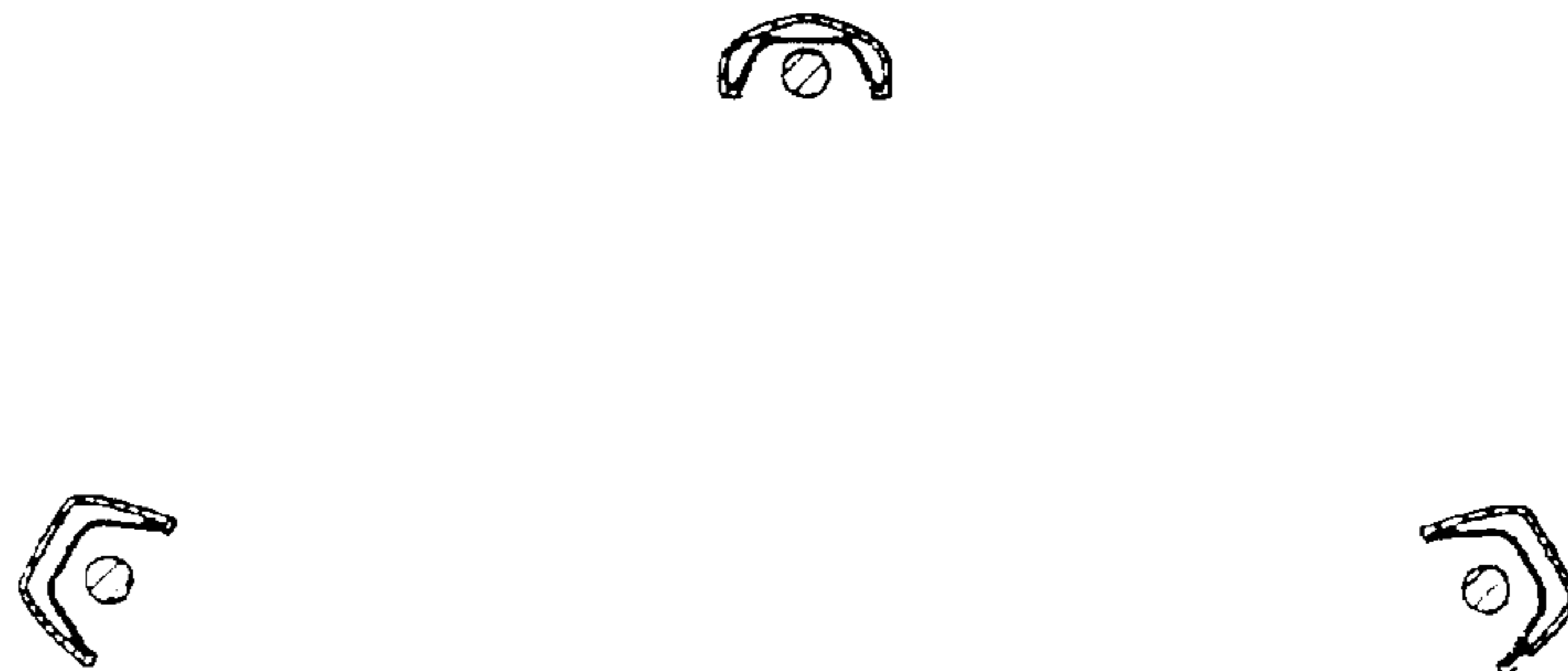




Fig.9

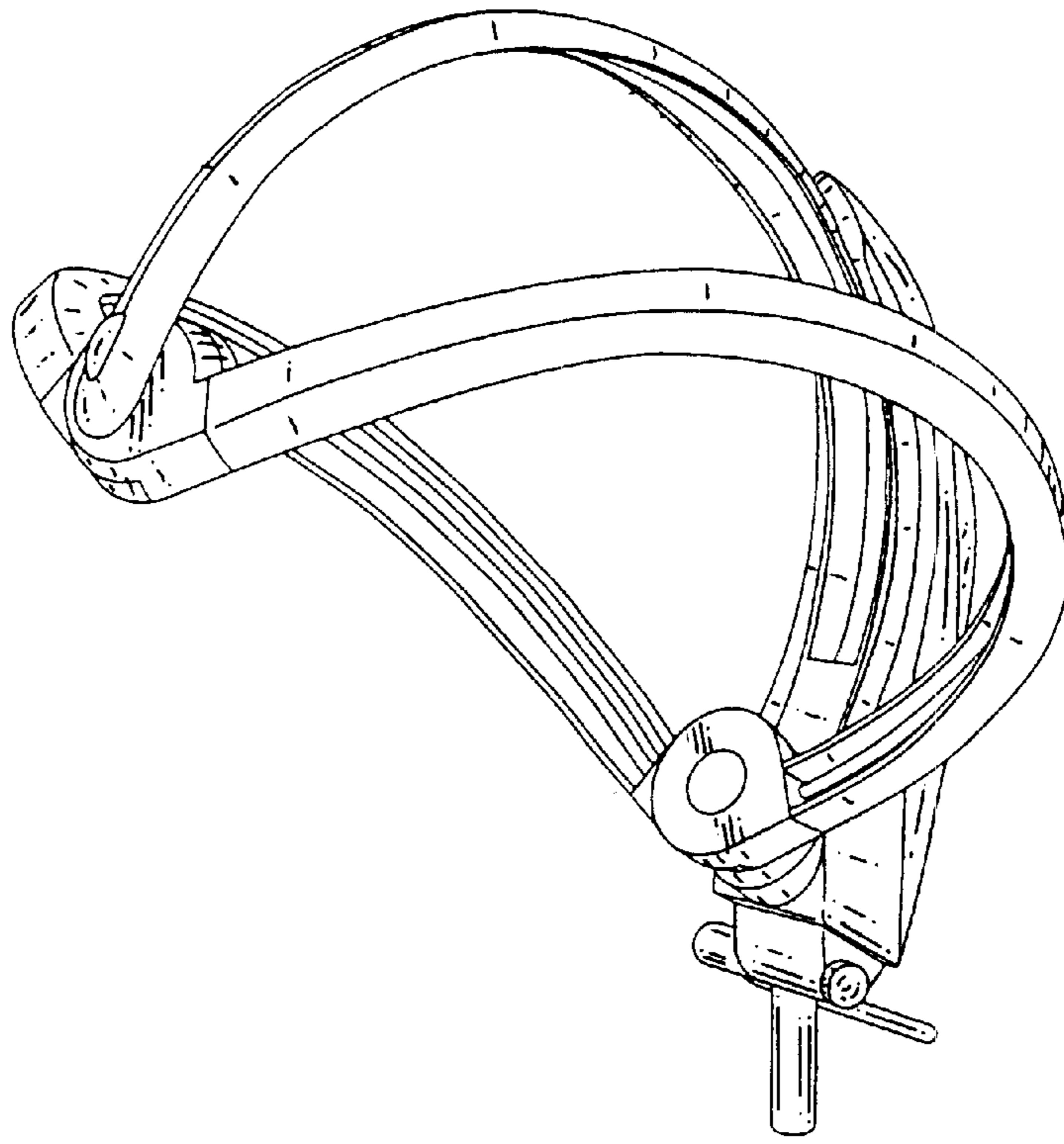


Fig.10

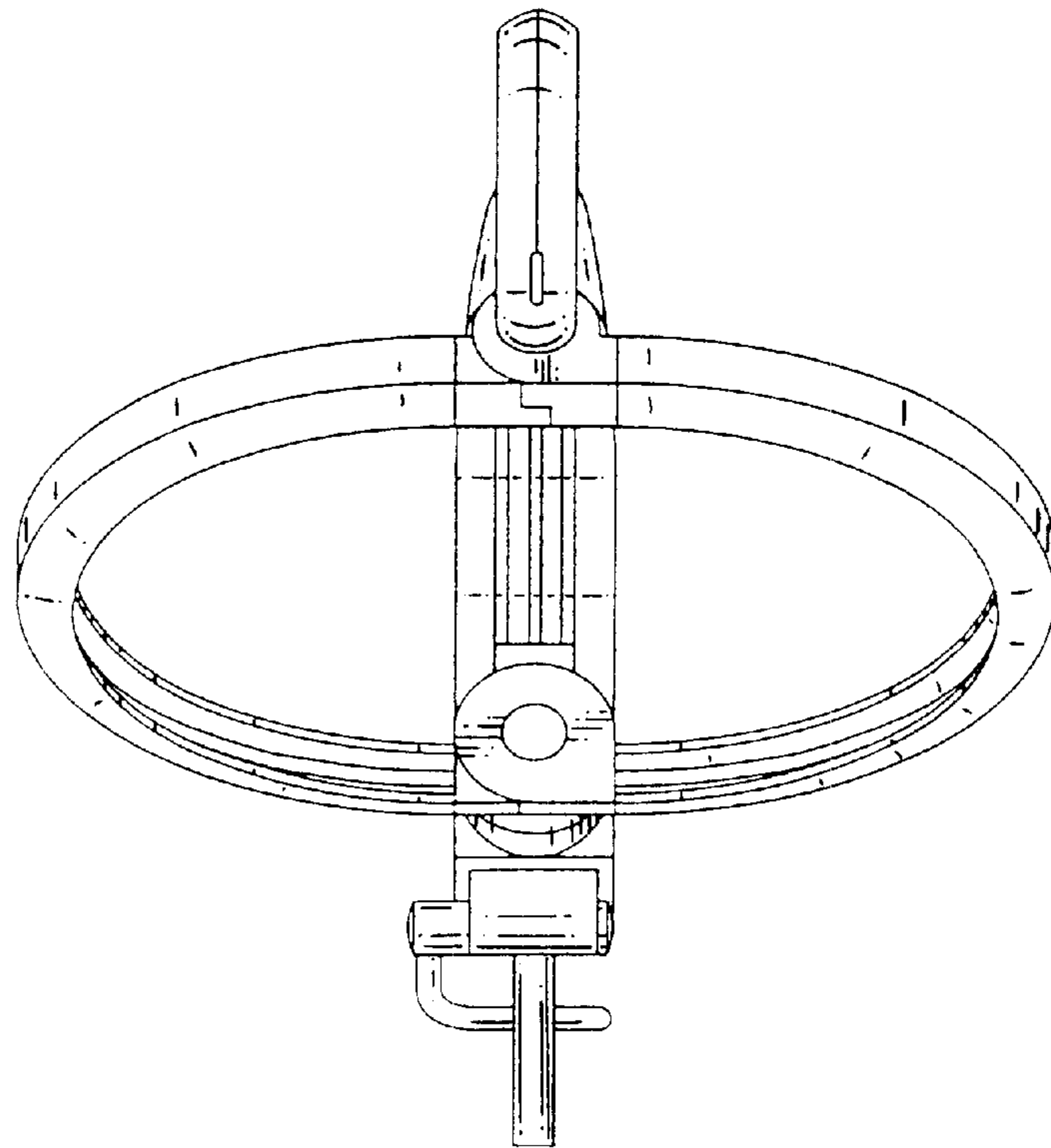


Fig.11

