



US00D474560S

(12) **United States Design Patent**
Lin

(10) **Patent No.:** **US D474,560 S**

(45) **Date of Patent:** **** May 13, 2003**

(54) **SCREWDRIVER SAFETY LIGHTER**

Primary Examiner—Jennifer Rivard

(76) **Inventor:** **Rong Lin**, 109 Kings Mountain Dr.,
Greer, SC (US) 29650

(57) **CLAIM**

(**) **Term:** **14 Years**

The ornamental design for a screwdriver safety lighter, as shown.

(21) **Appl. No.:** **29/162,788**

DESCRIPTION

(22) **Filed:** **Jun. 24, 2002**

(51) **LOC (7) Cl.** **27-05**

(52) **U.S. Cl.** **D27/142; D27/148; D27/157**

(58) **Field of Search** **D27/141, 142,**
D27/148, 157, 154, 152; 431/253

FIG. 1 is a front elevational view thereof;
FIG. 2 is a left side elevational view thereof;
FIG. 3 is a right side elevational view thereof;
FIG. 4 is a top plan view thereof;
FIG. 5 is a bottom plan view thereof.
FIG. 6 is a front elevational view of the open position thereof;
FIG. 7 is a top plan view of the open position thereof;
FIG. 8 is a front elevational view of the extended position thereof; and,
FIG. 9 is a bottom plan view of the extended position thereof.

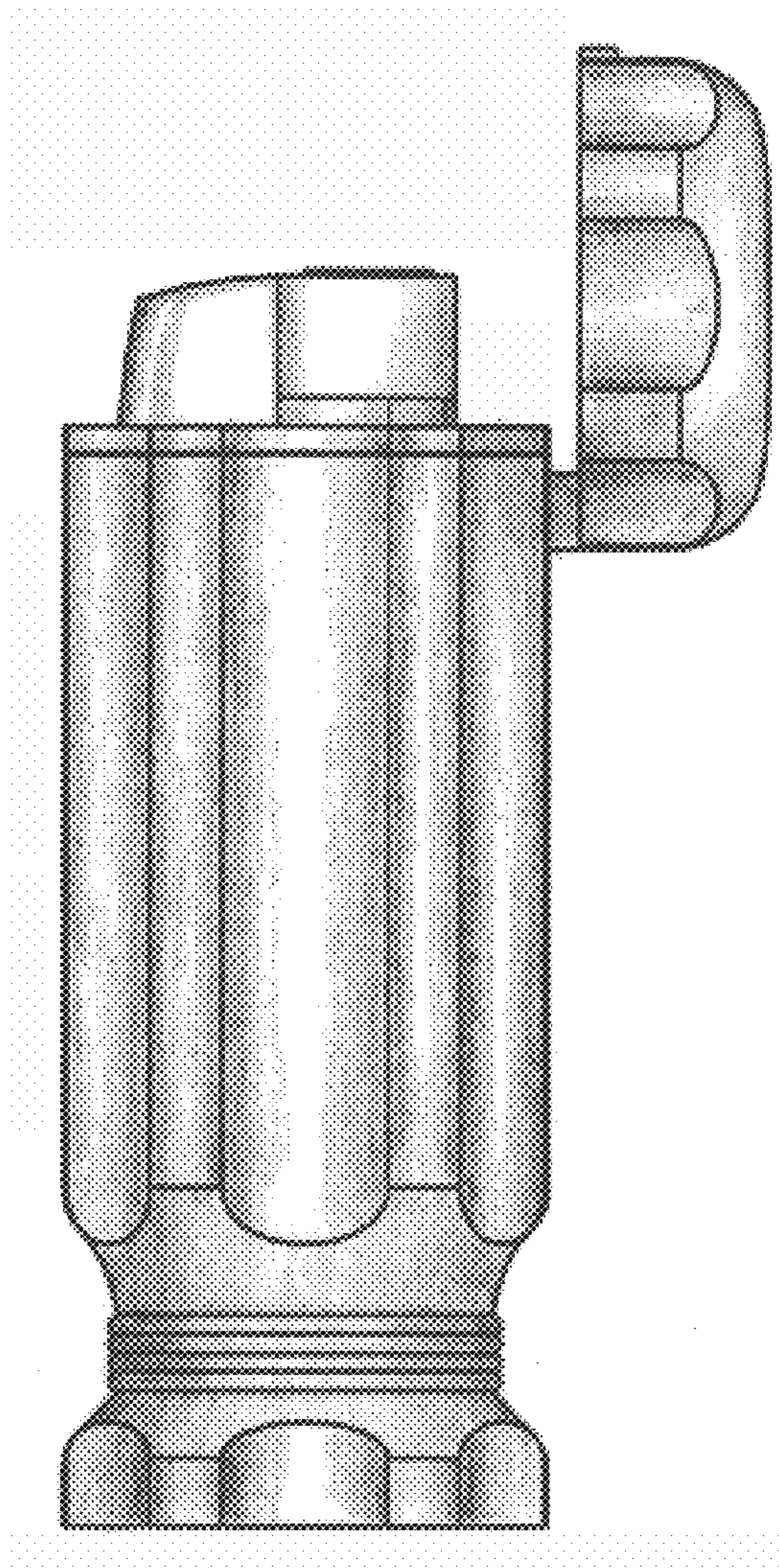
(56) **References Cited**

U.S. PATENT DOCUMENTS

D92,581 S	*	6/1934	Chesler	D27/152
D145,328 S	*	7/1946	Robboy	D27/152
D156,641 S	*	12/1949	Love	D27/142

* cited by examiner

1 Claim, 9 Drawing Sheets



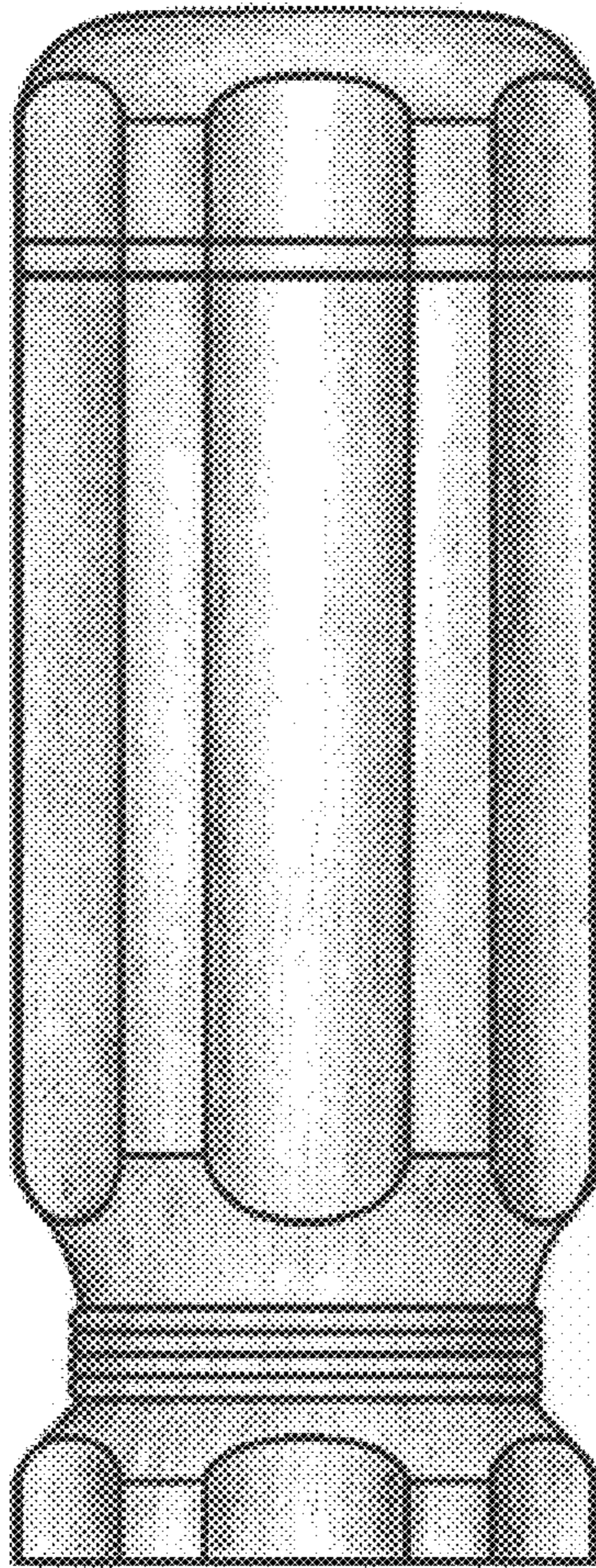


FIG. 1

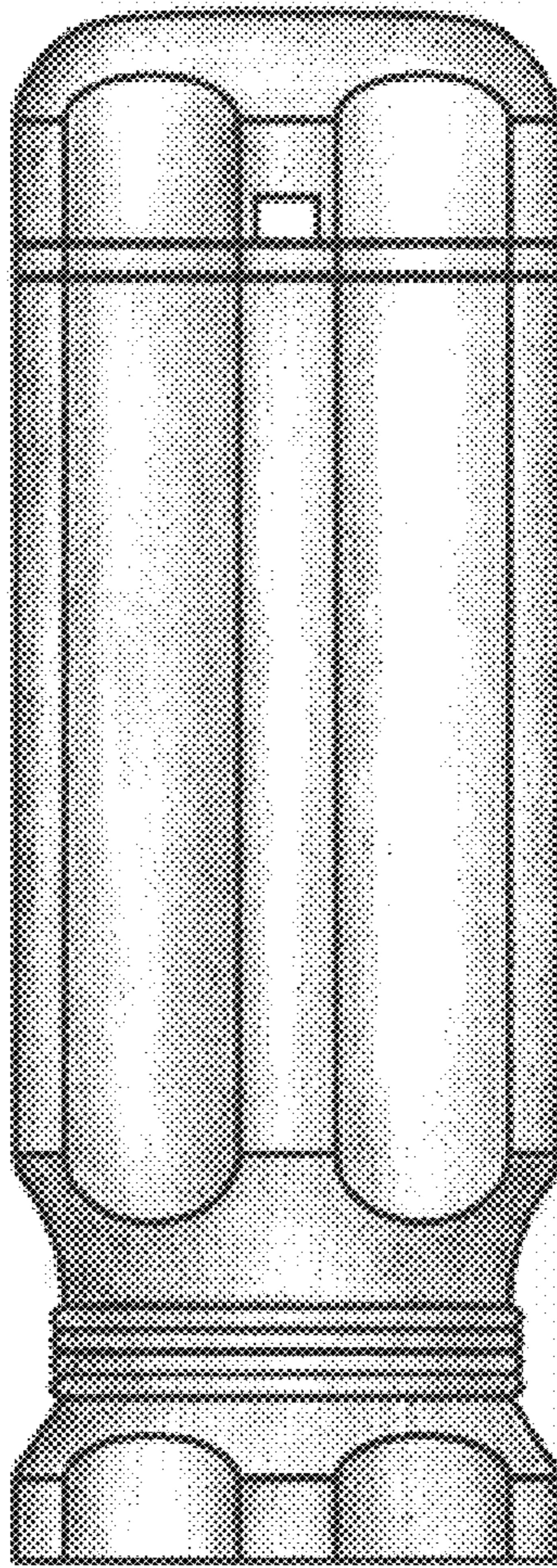


FIG. 2

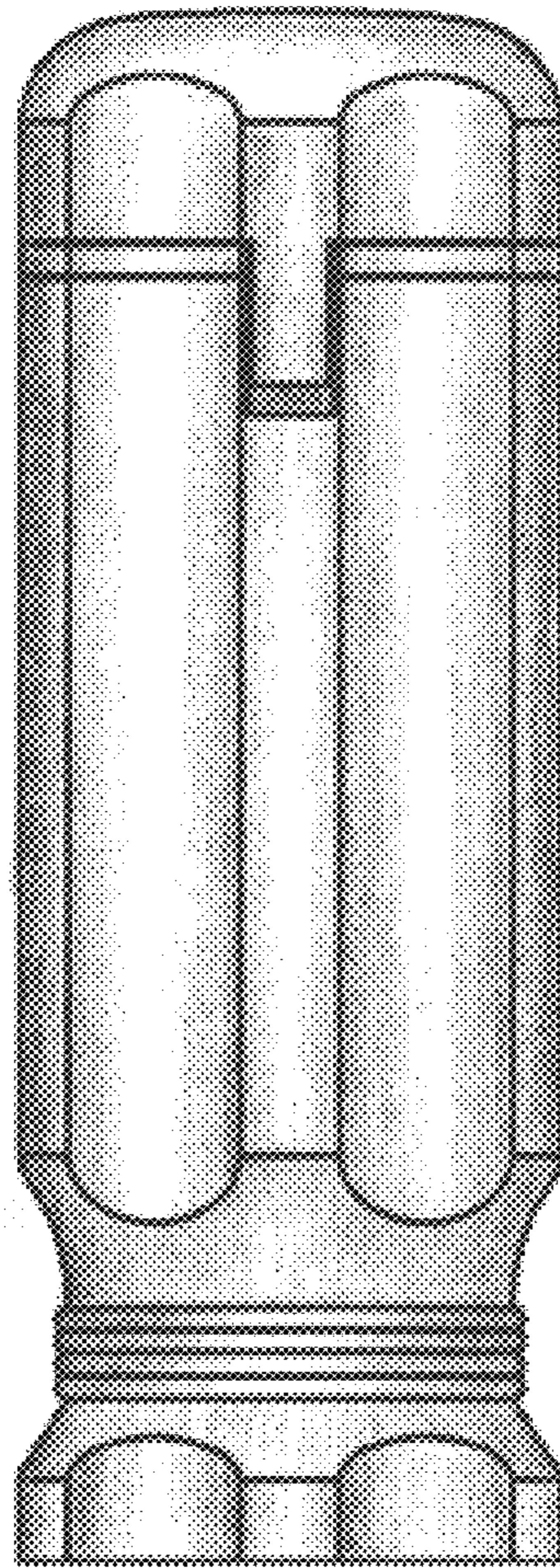


FIG. 3

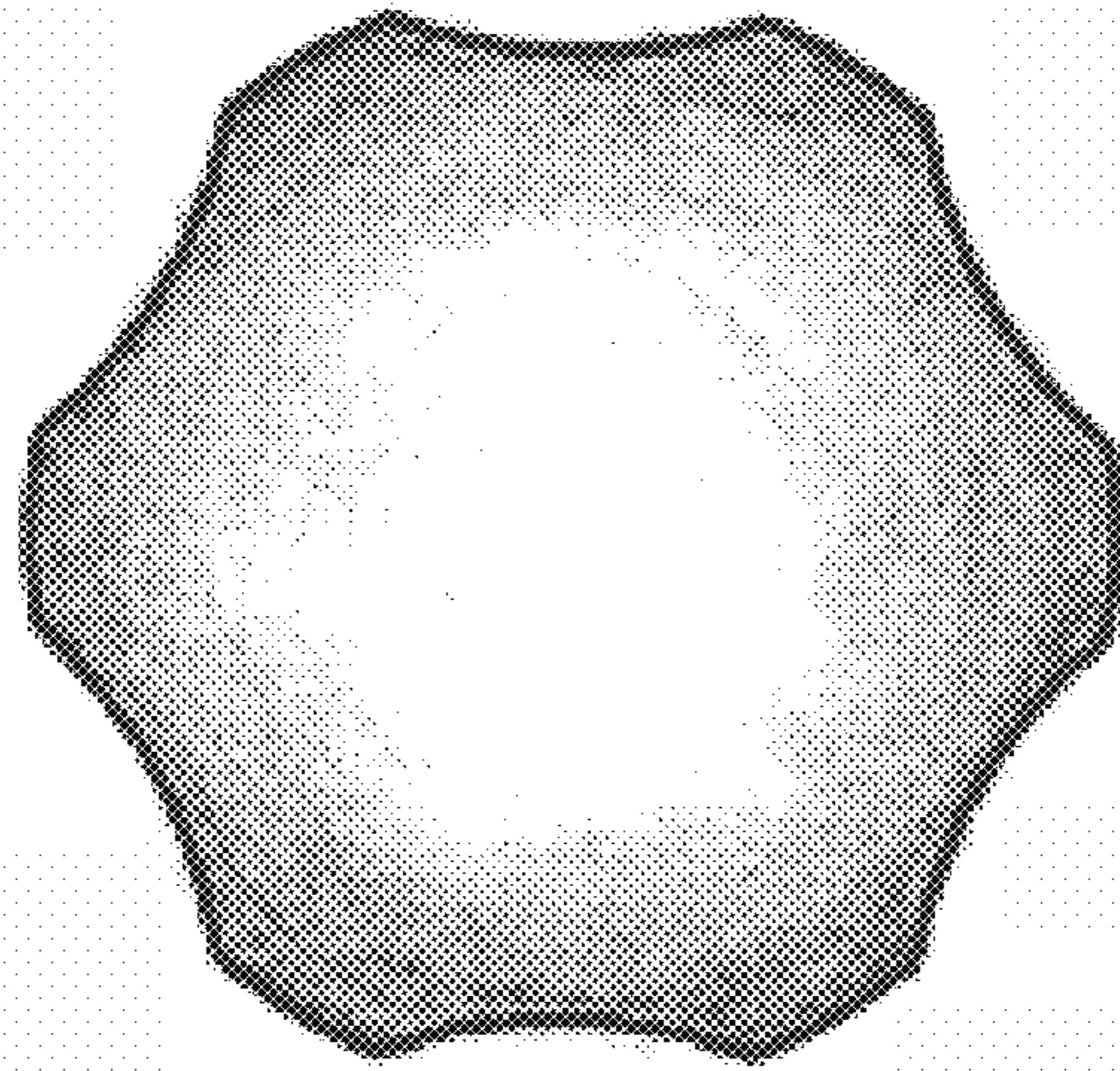


FIG. 4

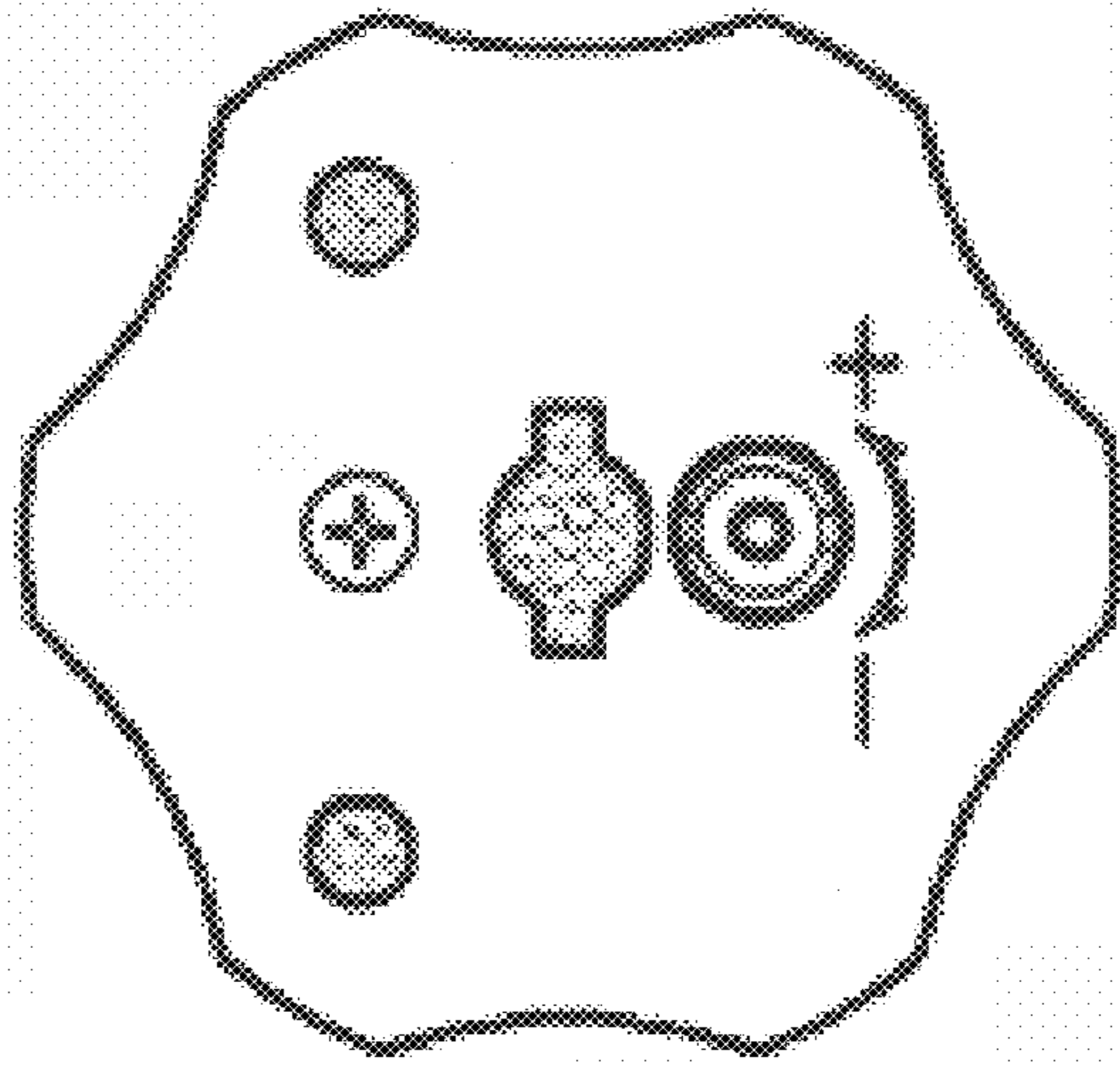


FIG. 5

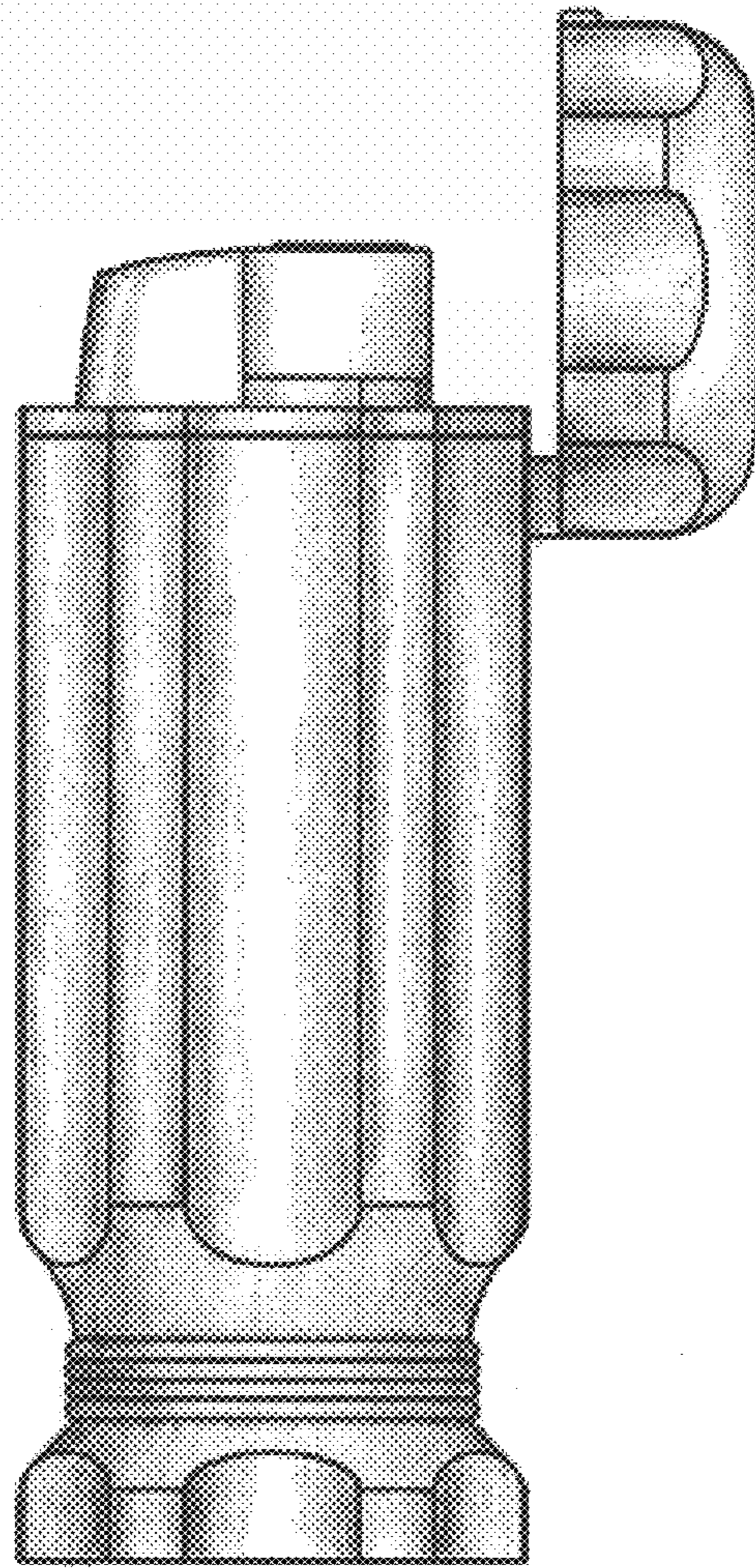


FIG. 6

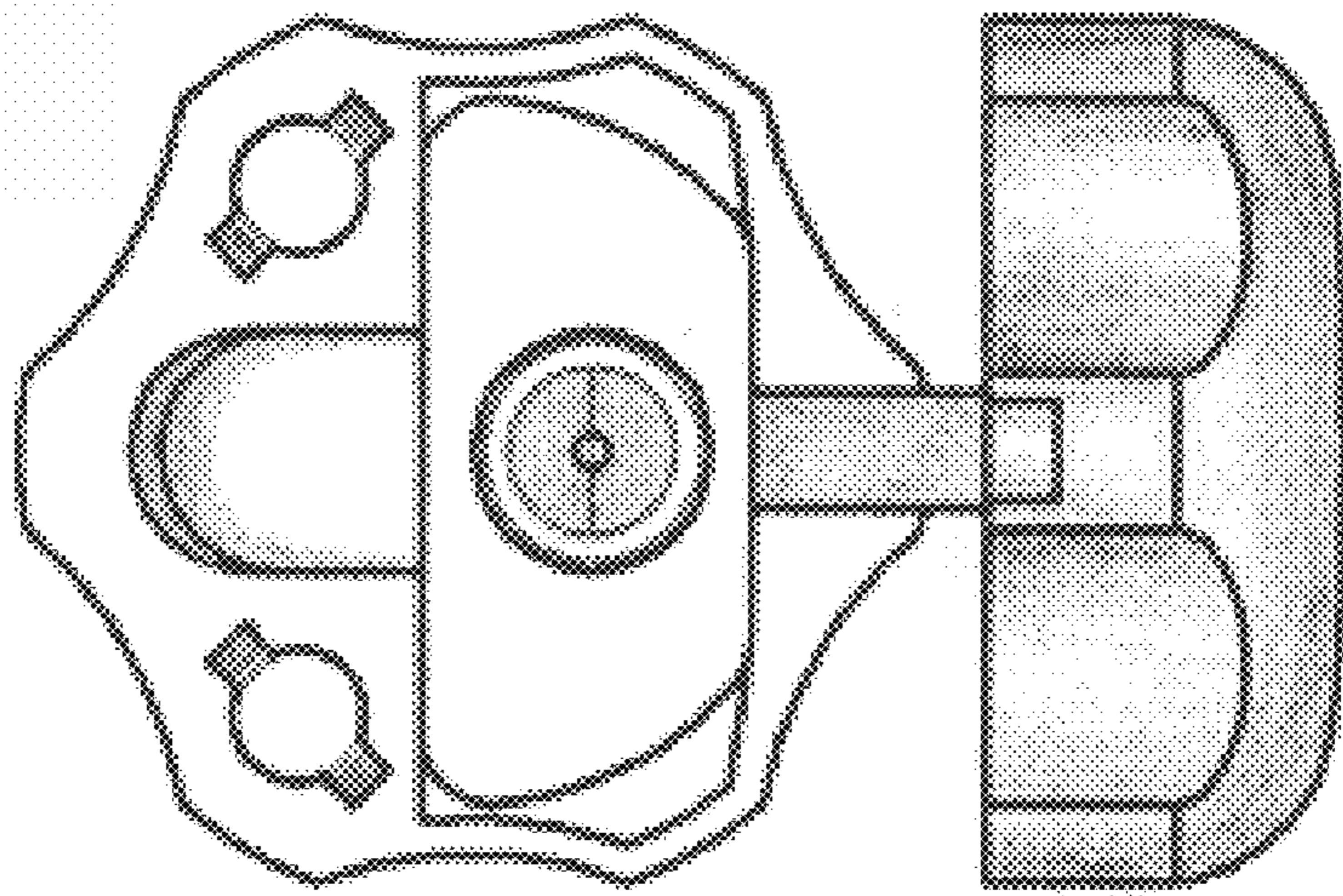


FIG. 7

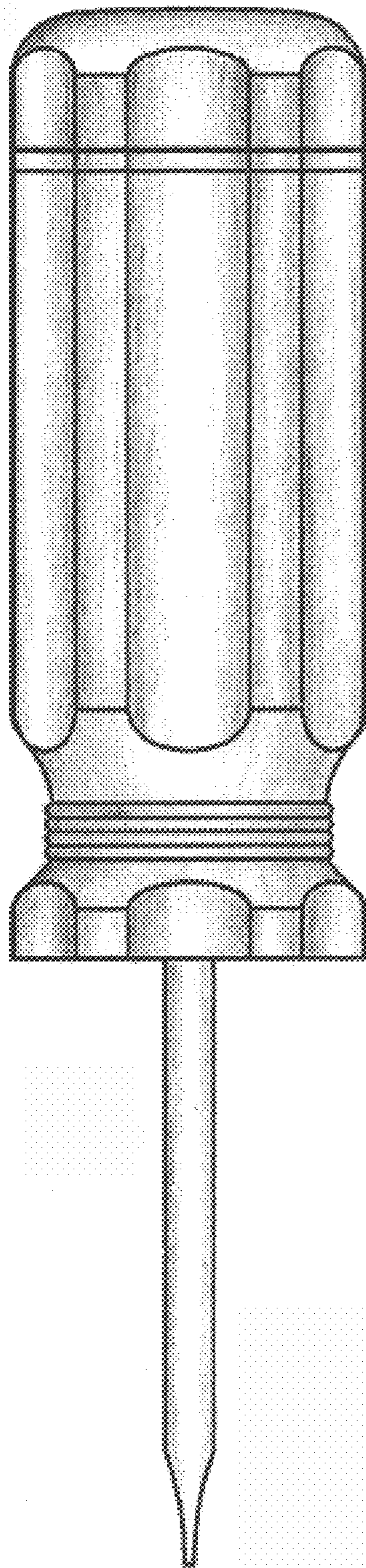


FIG. 8

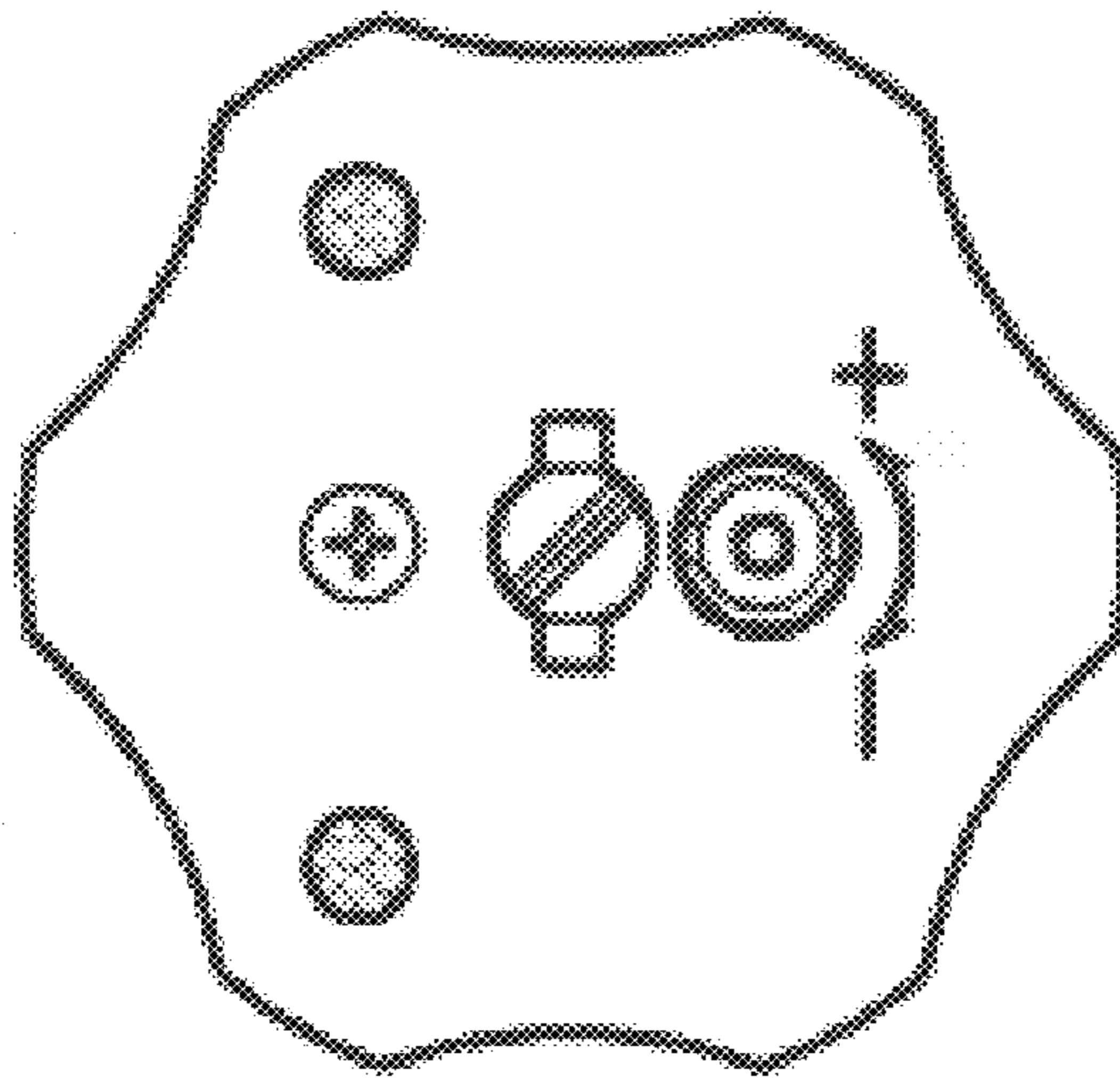


FIG. 9