



US00D474559S

(12) **United States Design Patent**
Huang

(10) **Patent No.:** **US D474,559 S**

(45) **Date of Patent:** **** May 13, 2003**

(54) **OVAL DECORATIVE REFLECTOR FOR VEHICLE LIGHT WITH MULTIPLE LED'S**

(75) Inventor: **Nan Huang Huang**, Rancho Palos Verdes, CA (US)

(73) Assignee: **Grand General Accessories Manufacturing Inc.**, Compton, CA (US)

(**) Term: **14 Years**

(21) Appl. No.: **29/167,984**

(22) Filed: **Sep. 24, 2002**

(51) **LOC (7) Cl.** **26-99**

(52) **U.S. Cl.** **D26/123**

(58) **Field of Search** 362/341, 346, 362/349, 517, 518; D26/118, 122-124, 28, 36

(56) **References Cited**

U.S. PATENT DOCUMENTS

- D224,142 S * 7/1972 Knapp D26/122
- D249,818 S * 10/1978 Ball D26/122
- 6,422,726 B1 * 7/2002 Tatsukawa et al. 362/517

* cited by examiner

Primary Examiner—Jennifer Rivard
(74) *Attorney, Agent, or Firm*—Thomas I. Rozsa; Tony D. Chen

(57) **CLAIM**

The ornamental design for an oval decorative reflector for vehicle light with multiple LED's, as shown and described.

DESCRIPTION

FIG. 1 is a perspective view of an oval decorative reflector for vehicle light with multiple LED's, showing my new design;

FIG. 2 is a top plan view thereof;

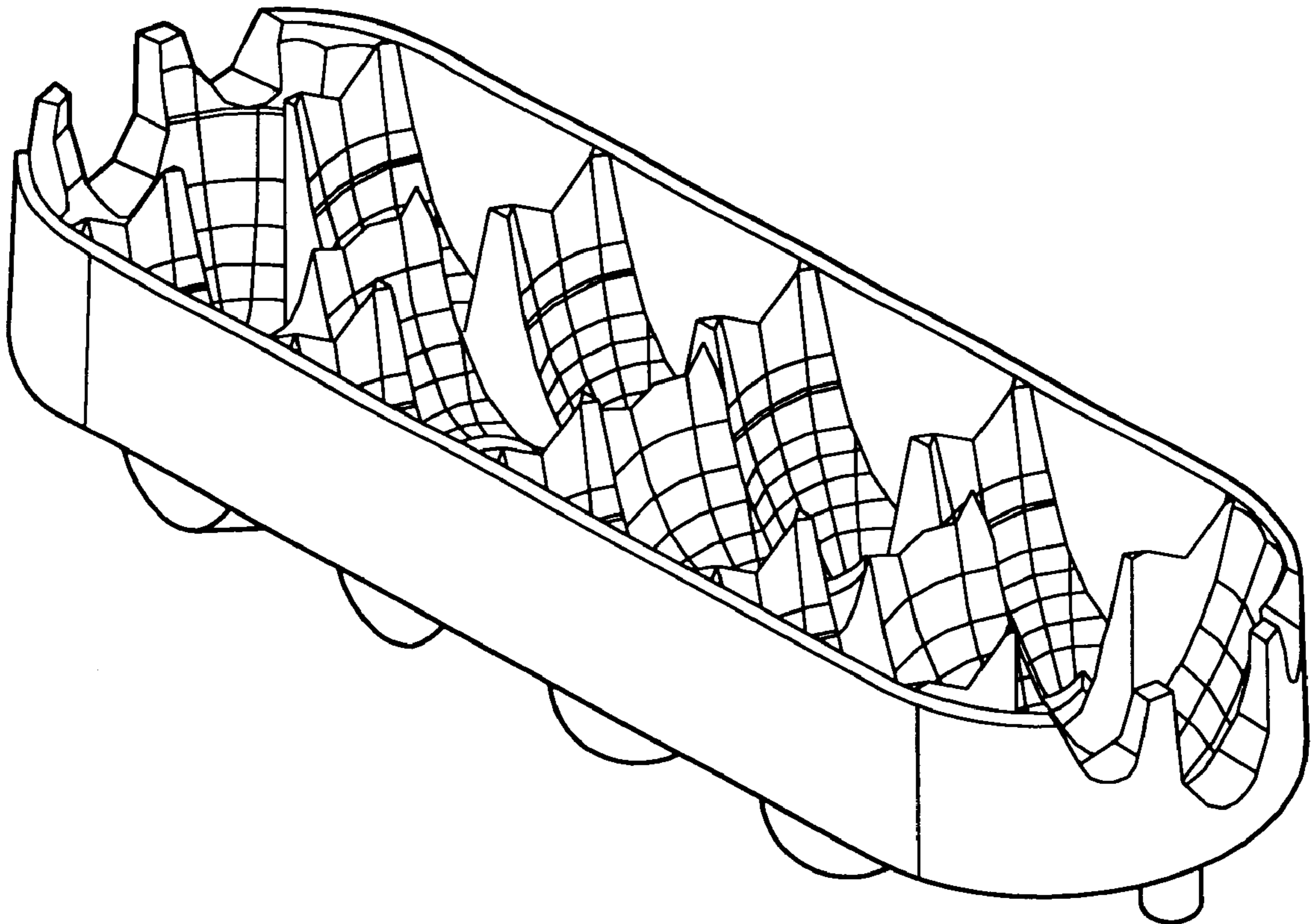
FIG. 3 is a bottom plan view thereof;

FIG. 4 is a side elevational view thereof, the other side being identical;

FIG. 5 is a front end elevational view thereof, the rear end being identical; and,

FIG. 6 is a perspective view thereof, showing my new design in its position of use, it being understood that the broken line (showing the housing and lens of a vehicle lighting) is for illustrative purposes only and forms no part of the claimed design.

1 Claim, 2 Drawing Sheets



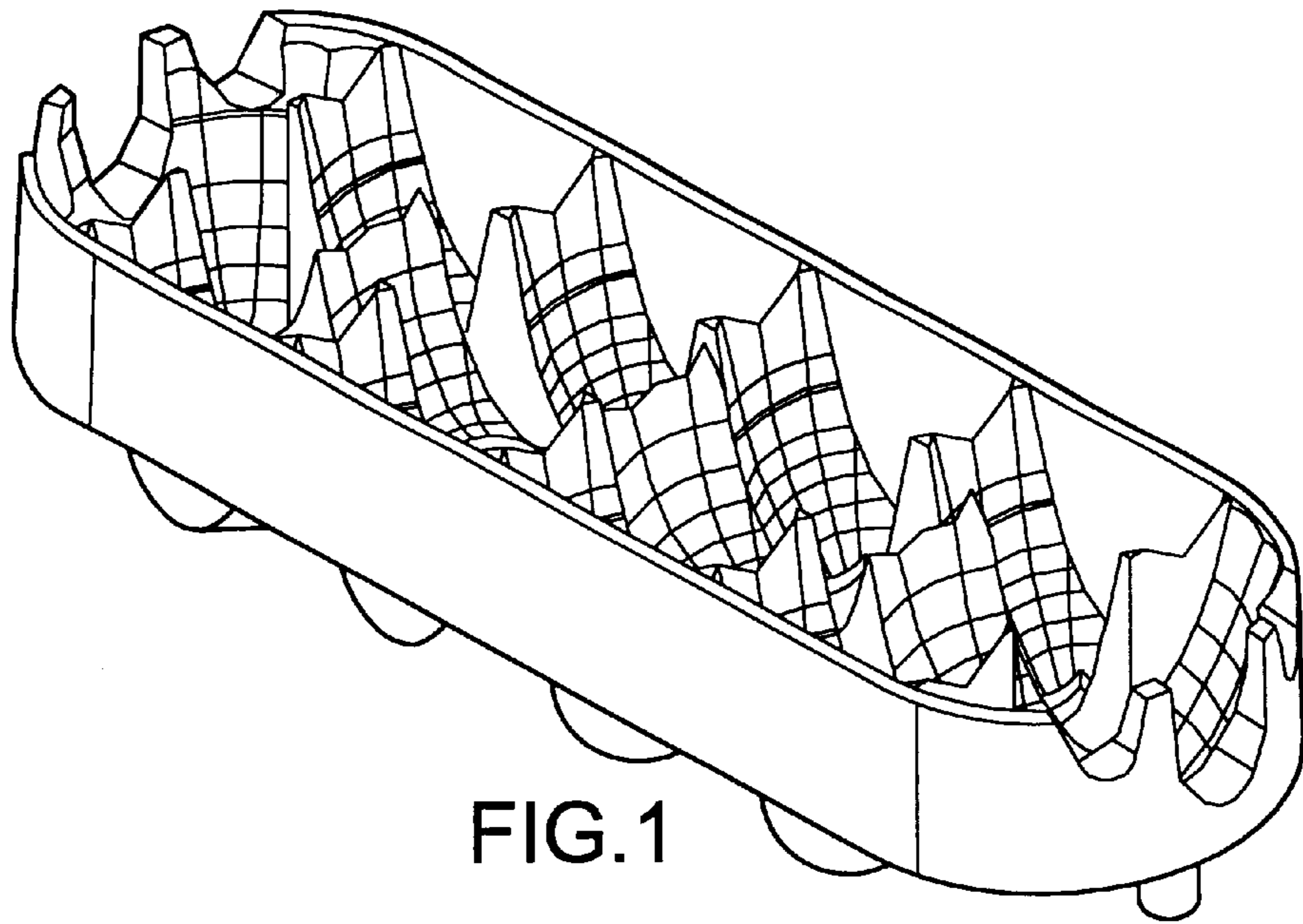


FIG. 1

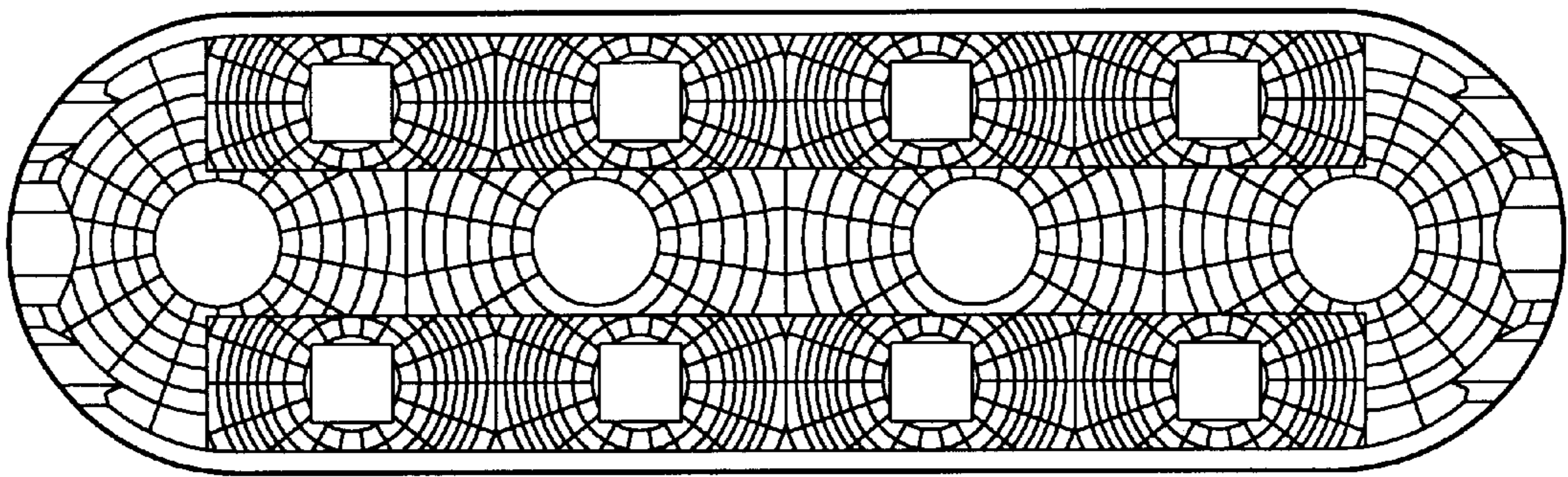


FIG. 2

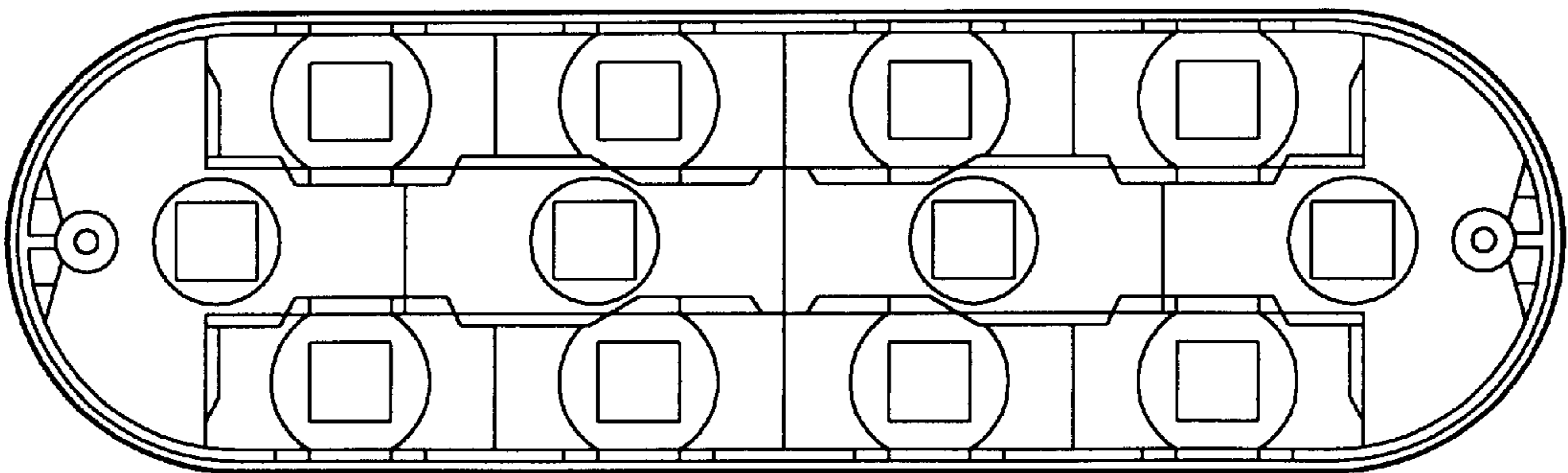


FIG. 3

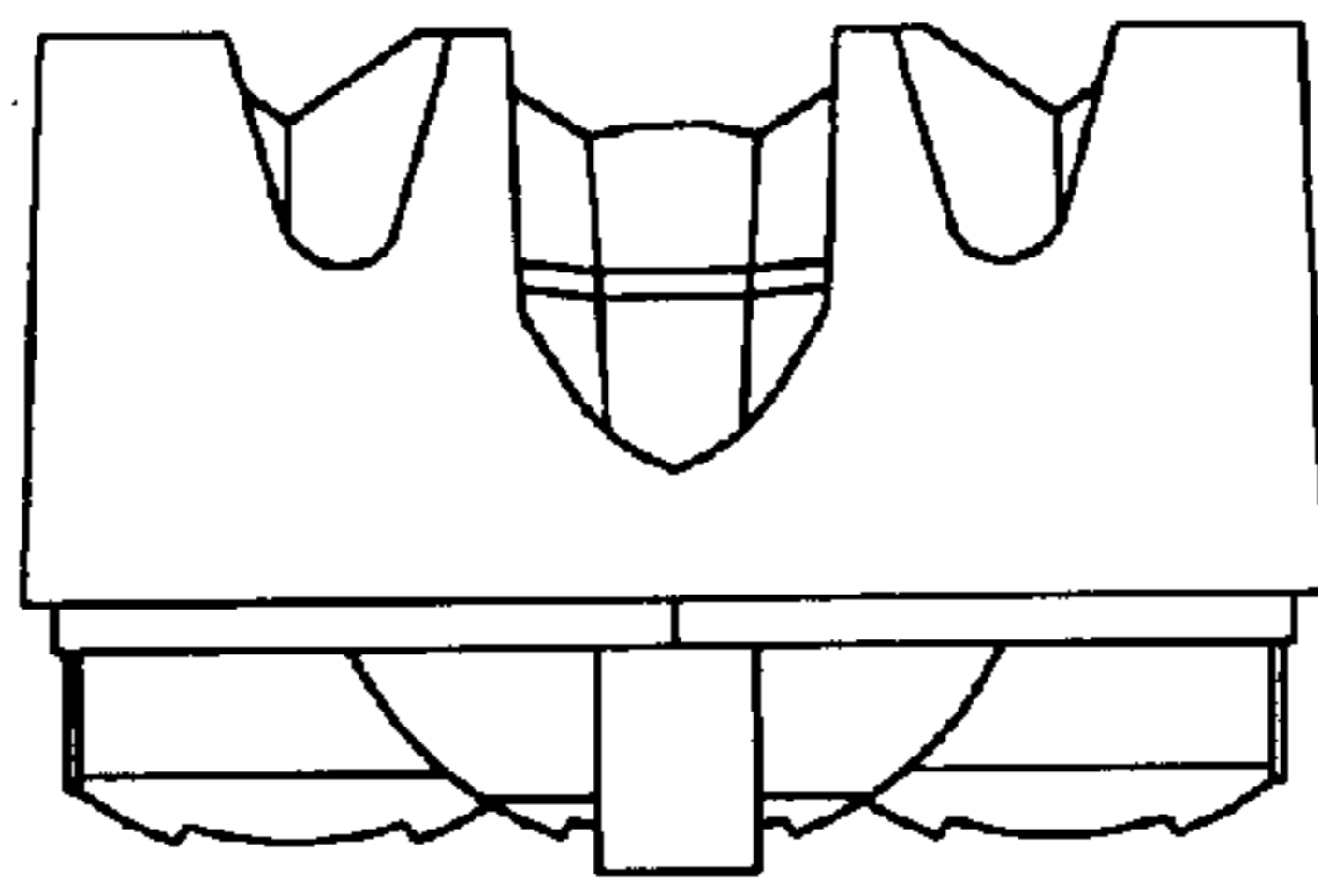


FIG. 4

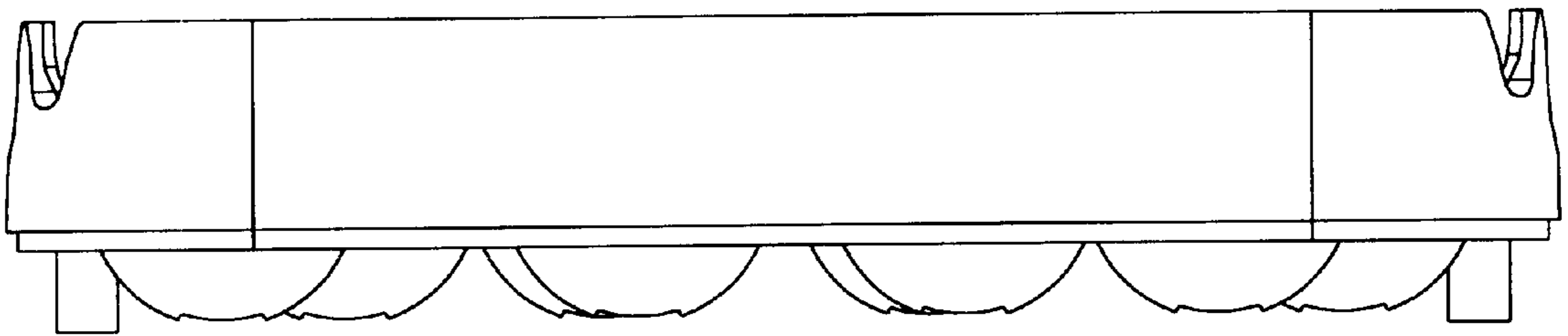


FIG. 5

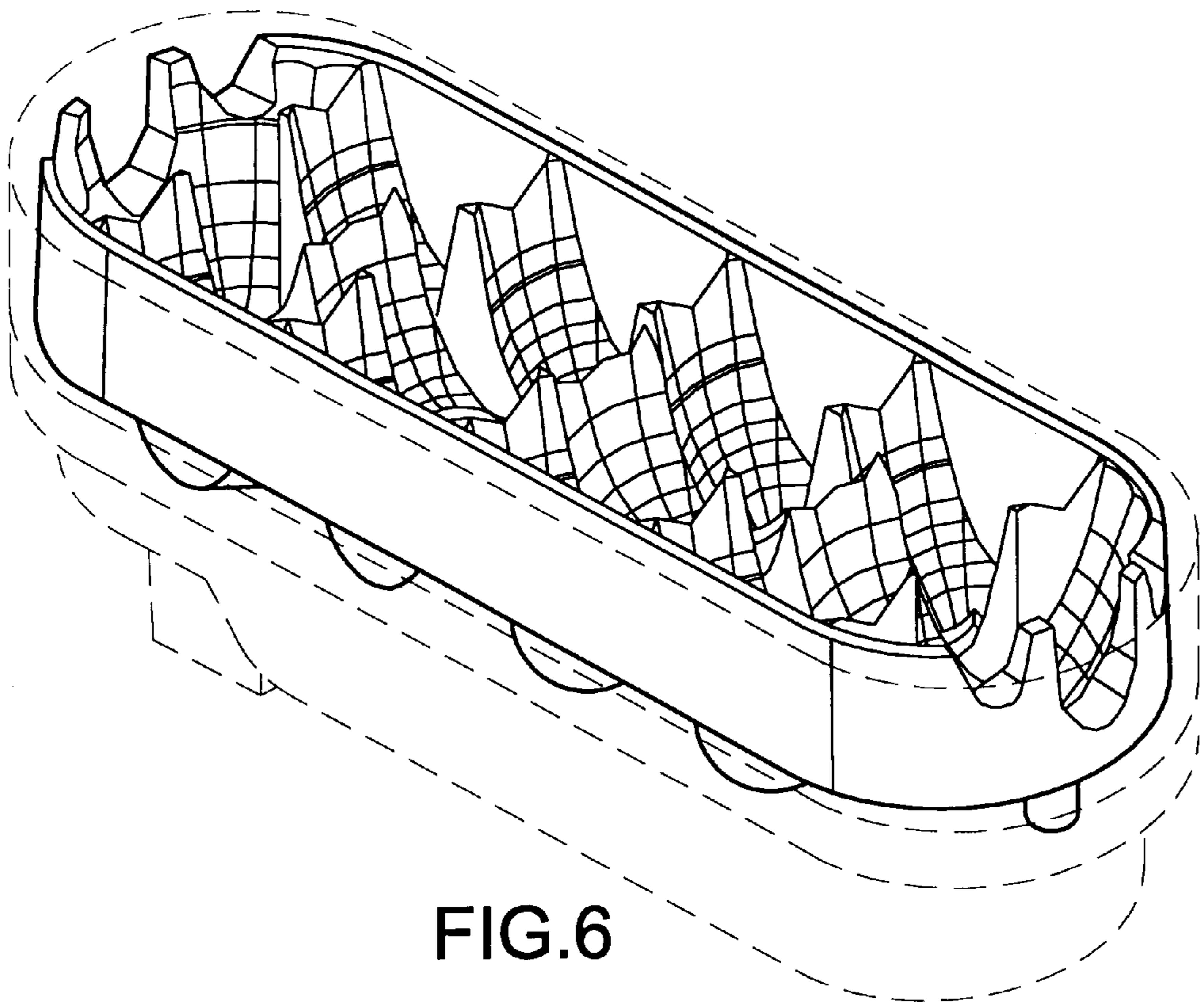


FIG. 6