



US00D474557S

(12) **United States Design Patent**
Eusterbrock

(10) **Patent No.:** **US D474,557 S**

(45) **Date of Patent:** **** May 13, 2003**

(54) **FLOOR LAMP**

(75) Inventor: **Paul Eusterbrock**, St. Paul, MN (US)

(73) Assignee: **Holtkoetter International, Inc.**, St. Paul, MN (US)

(**) Term: **14 Years**

(21) Appl. No.: **29/162,849**

(22) Filed: **Jun. 20, 2002**

(51) **LOC (7) Cl.** **26-05**

(52) **U.S. Cl.** **D26/61**

(58) **Field of Search** D26/61-66, 93-112;
362/277-288, 410-414, 431

(56) **References Cited**

U.S. PATENT DOCUMENTS

D374,735 S * 10/1996 Huang D26/65
5,800,053 A * 9/1998 Shen 362/413

OTHER PUBLICATIONS

George Kovacs 1987-1988 Lighting Catalog, lamp No. 4708.*

* cited by examiner

Primary Examiner—Alan P. Douglas

Assistant Examiner—Linda Brooks

(74) *Attorney, Agent, or Firm*—Oppenheimer Wolff & Donnelly LLP

(57) **CLAIM**

The ornamental design for a floor lamp, substantially as shown and described.

DESCRIPTION

FIG. 1 is a perspective view of a floor lamp showing my new design;

FIG. 2 is a side plan view thereof;

FIG. 3 is a rear view thereof;

FIG. 4 is a front view thereof;

FIG. 5 is a top view thereof;

FIG. 6 is a bottom view thereof;

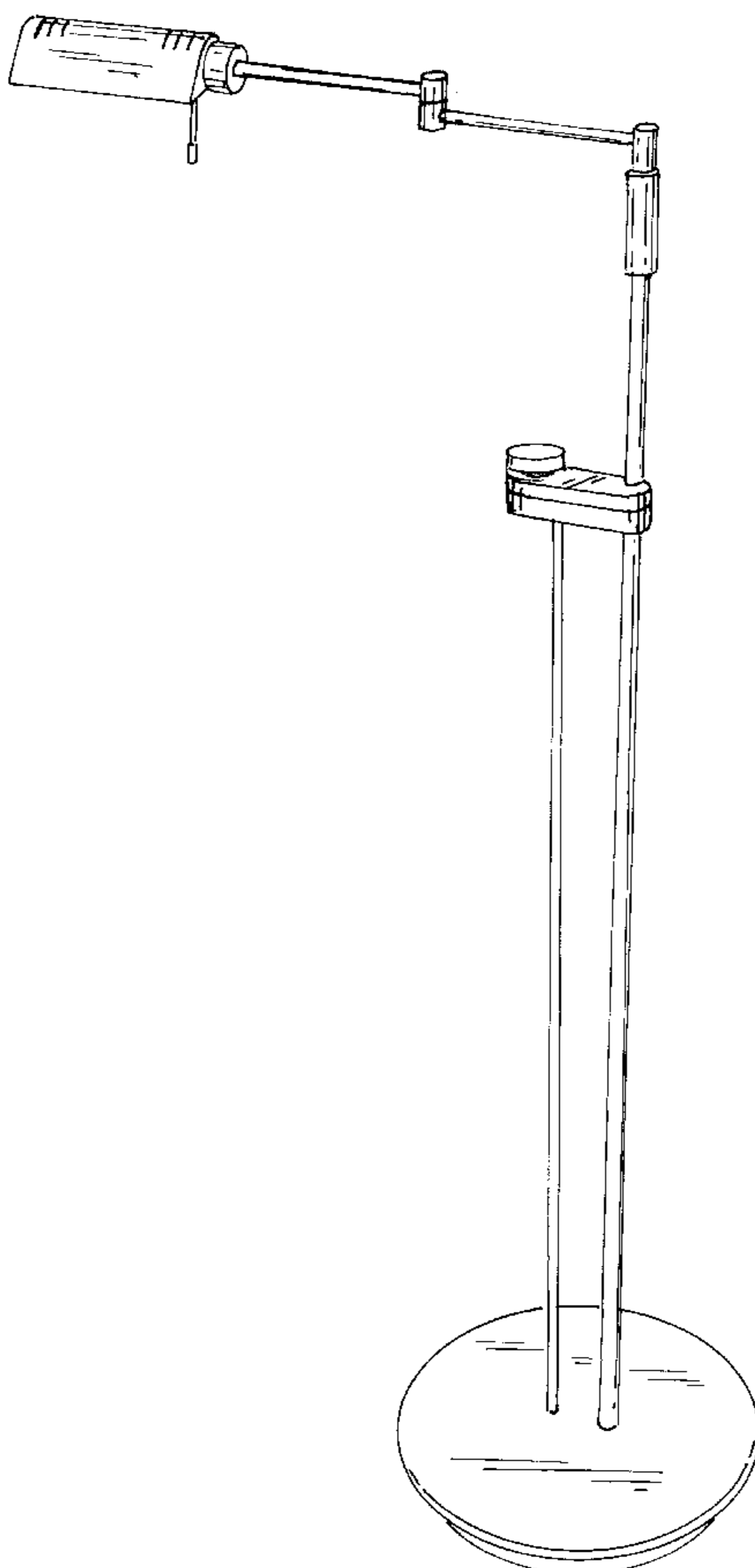
FIG. 7 is a perspective view showing the base of my new design, shown separately for clarity;

FIG. 8 is a side view of the base shown in FIG. 7;

FIG. 9 is a rear view of FIG. 7; and,

FIG. 10 is a front view of FIG. 7.

1 Claim, 7 Drawing Sheets



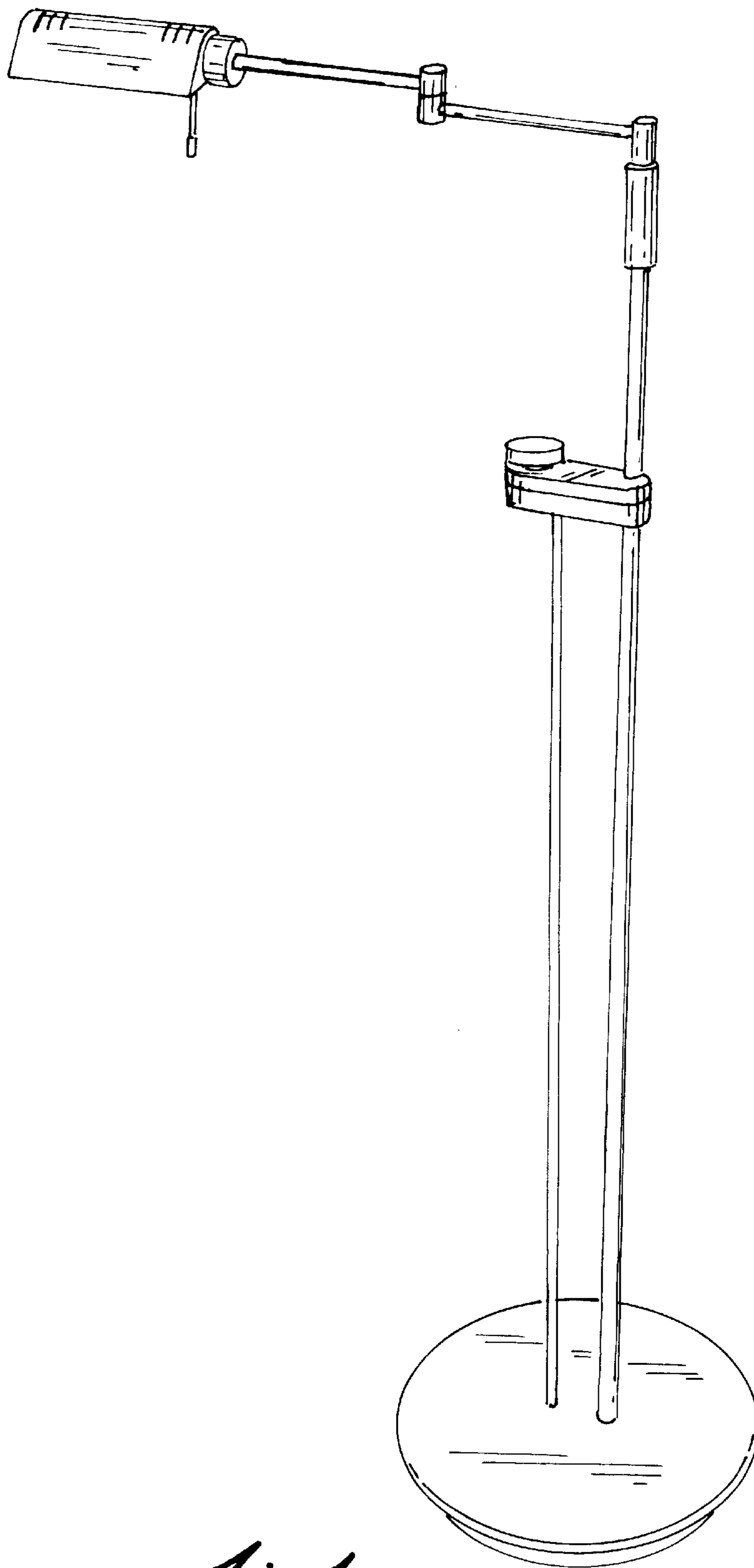


Fig. 1

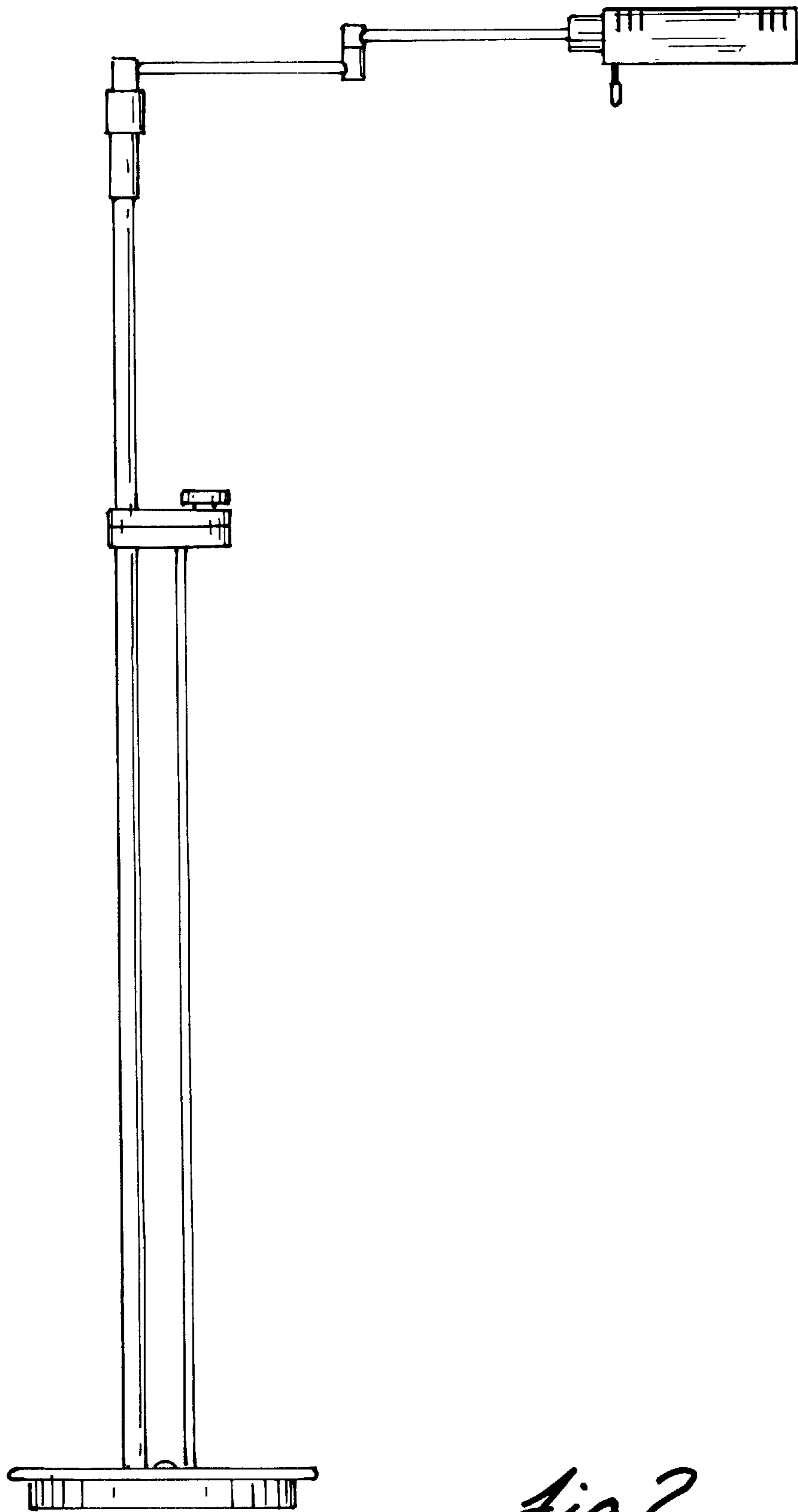


Fig. 2

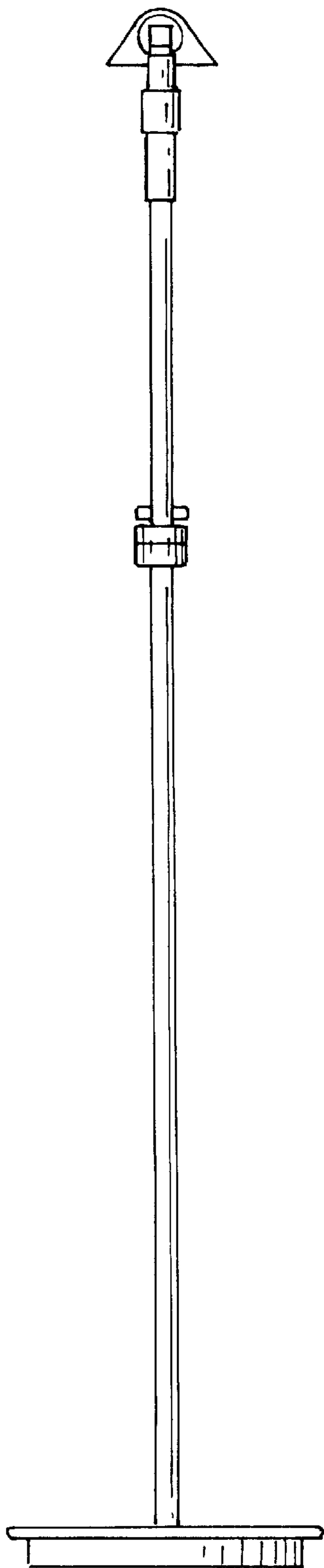


Fig. 3

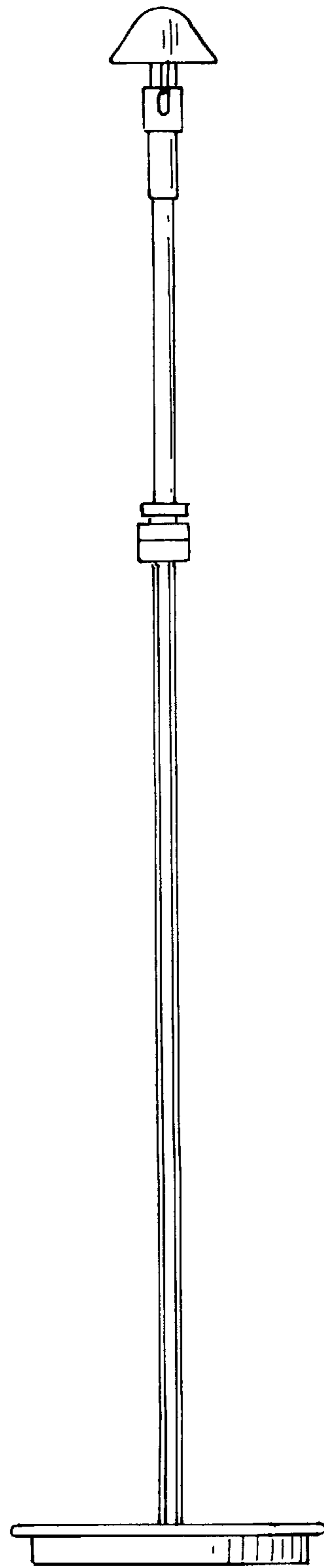


Fig. 4

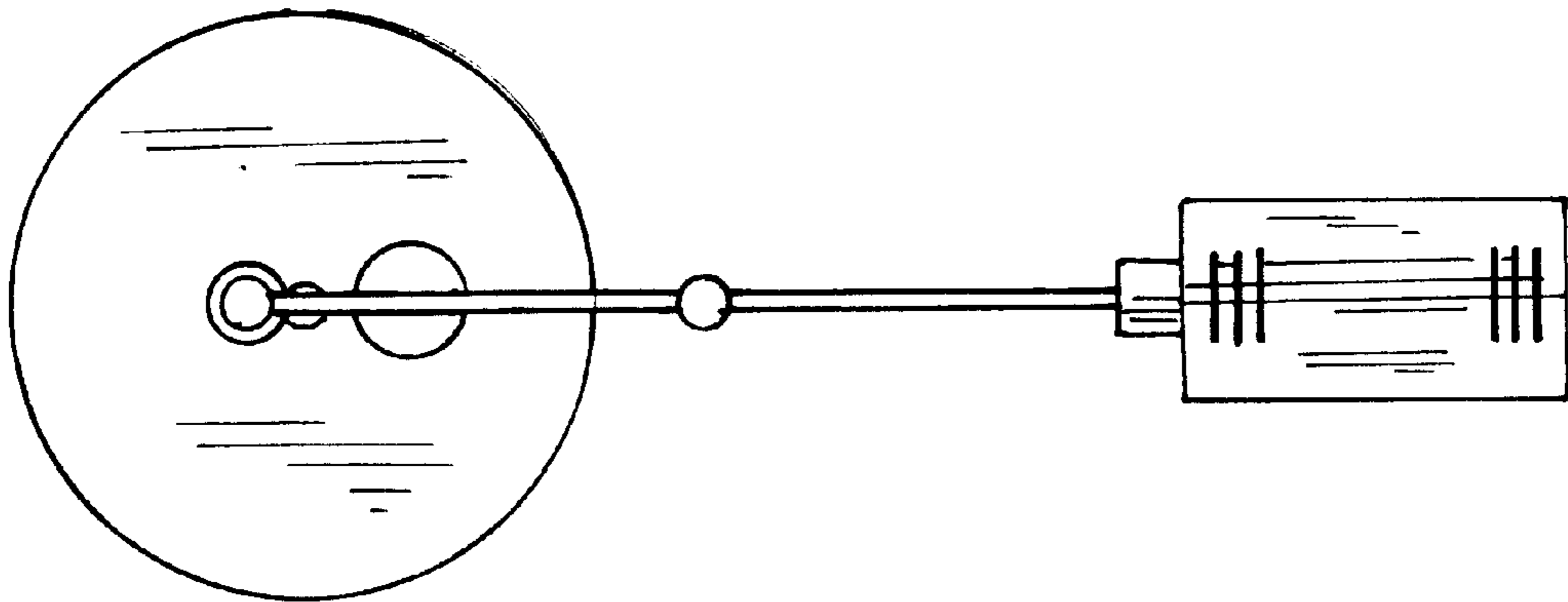


Fig. 5

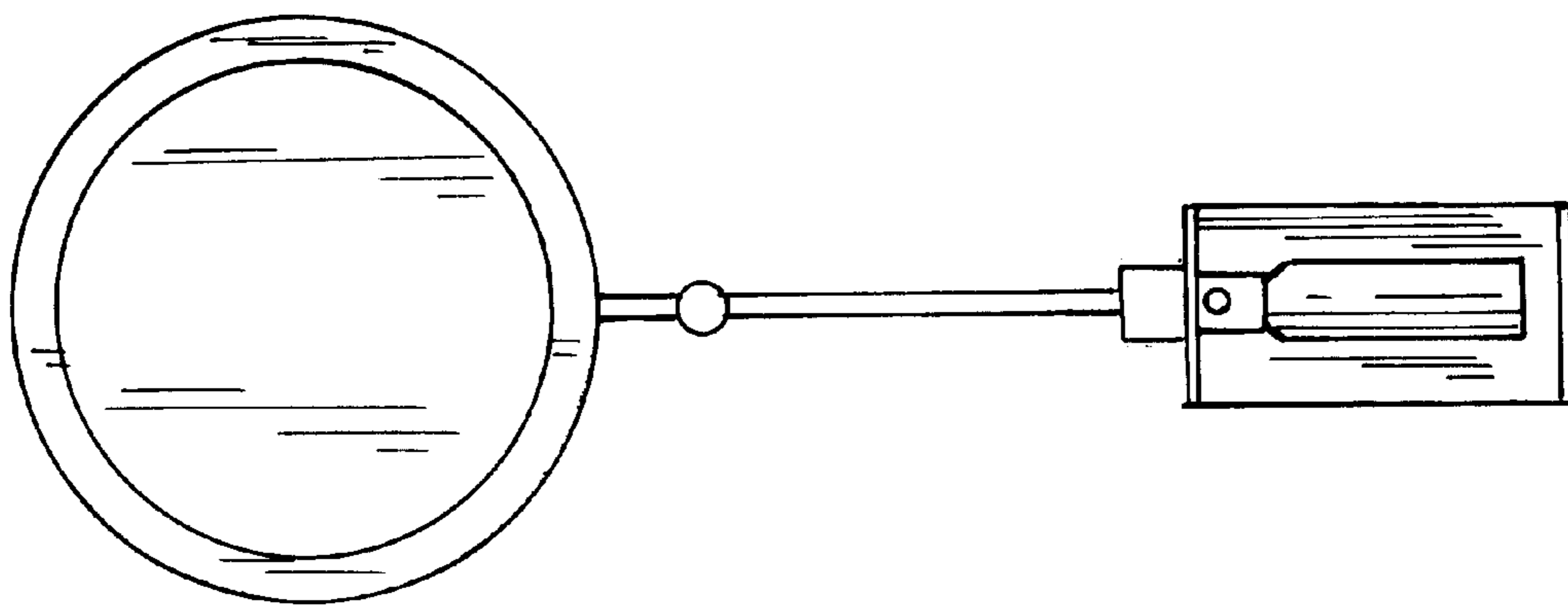


Fig. 6

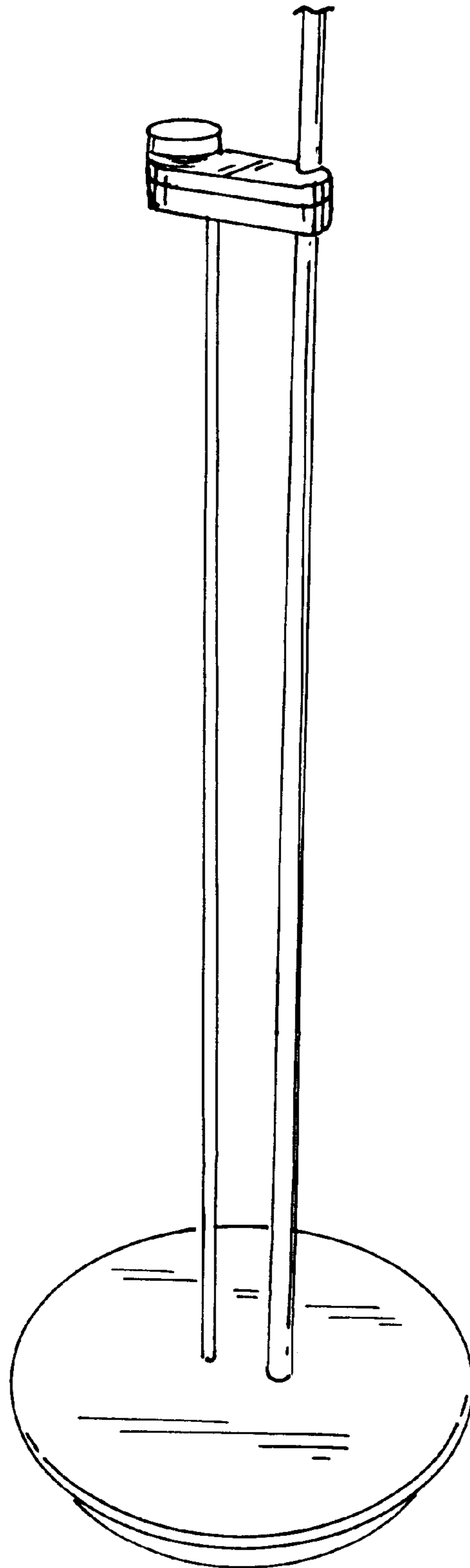


Fig. 7

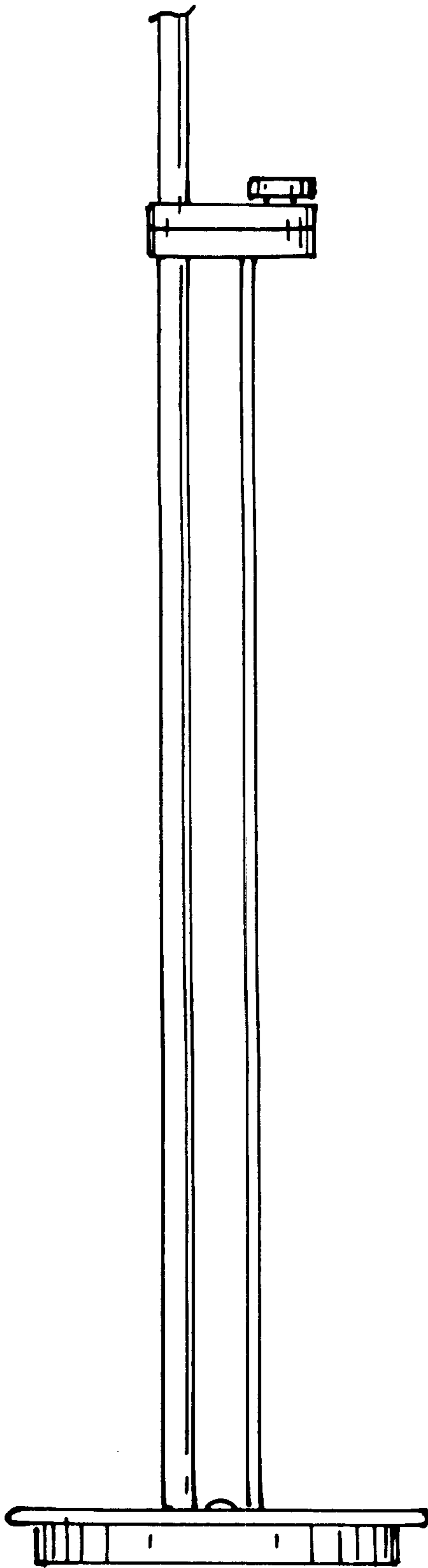


Fig. 8

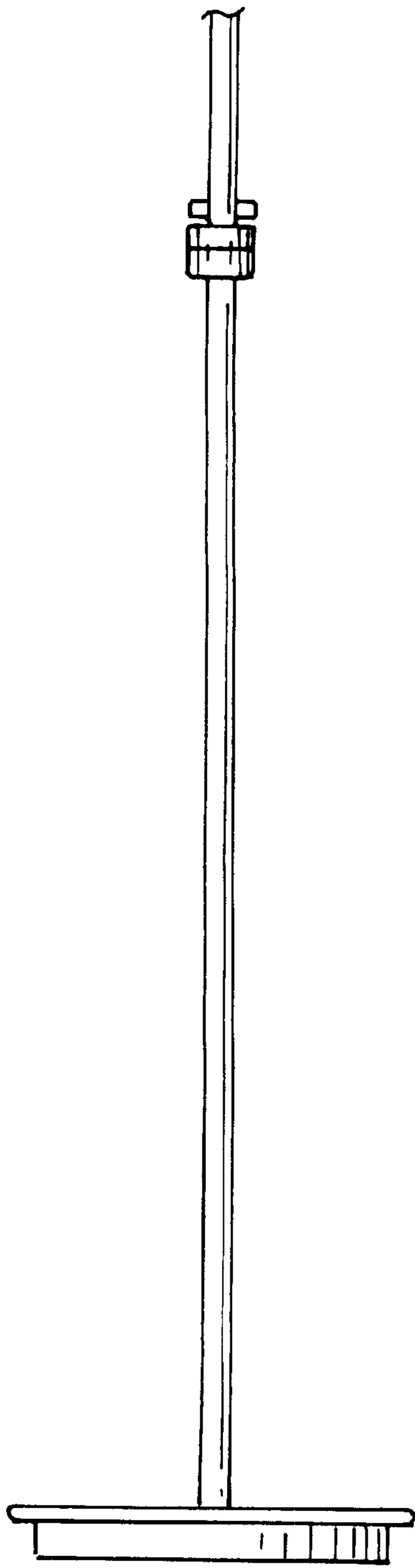


Fig. 9

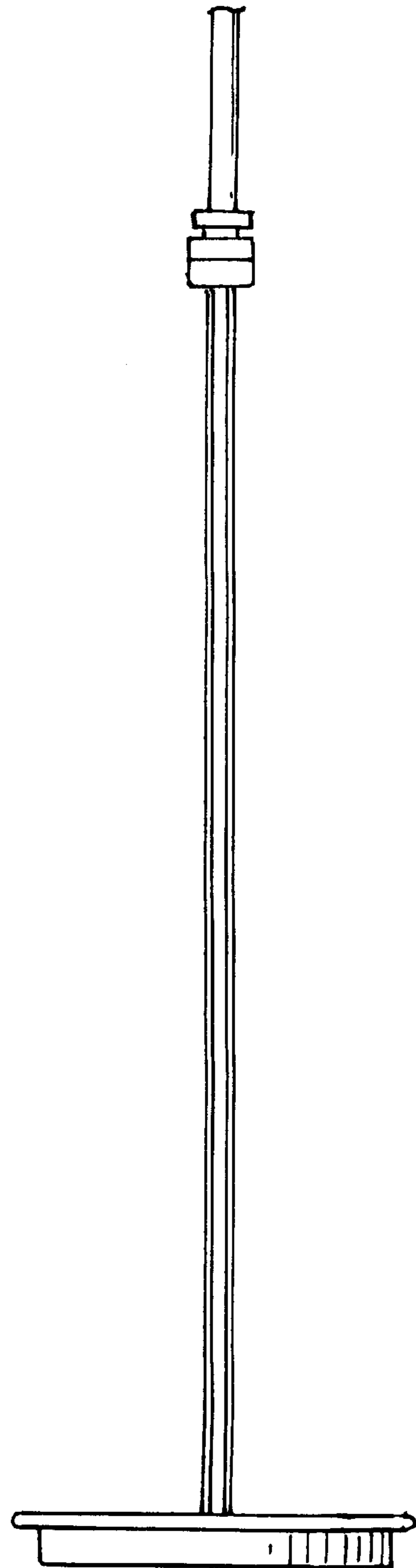


Fig. 10