



US00D474556S

(12) **United States Design Patent**  
**Huang**

(10) **Patent No.:** **US D474,556 S**

(45) **Date of Patent:** **\*\* May 13, 2003**

(54) **RECTANGULAR LAMP**

*Primary Examiner*—Marcus A. Jackson

(76) **Inventor:** **Nan Jung Huang**, 235 Chung-Ho Box  
8-24, Taipei (TW)

(57) **CLAIM**

(\*\*) **Term:** **14 Years**

The ornamental design for a rectangular lamp, as shown and described.

(21) **Appl. No.:** **29/154,815**

**DESCRIPTION**

(22) **Filed:** **Jan. 31, 2002**

FIG. 1 is a front view of a rectangular lamp showing my new design;

(51) **LOC (7) Cl.** ..... **26-05**

FIG. 2 is a rear side view thereof;

(52) **U.S. Cl.** ..... **D26/60**

FIG. 3 is a left side view thereof;

(58) **Field of Search** ..... D26/60-66, 93,  
D26/102-112; 362/410-414, 269, 275,  
287, 418, 419, 427

FIG. 4 is a right side view thereof;

FIG. 5 is a top view thereof;

(56) **References Cited**

**U.S. PATENT DOCUMENTS**

FIG. 6 is a bottom view thereof; and,

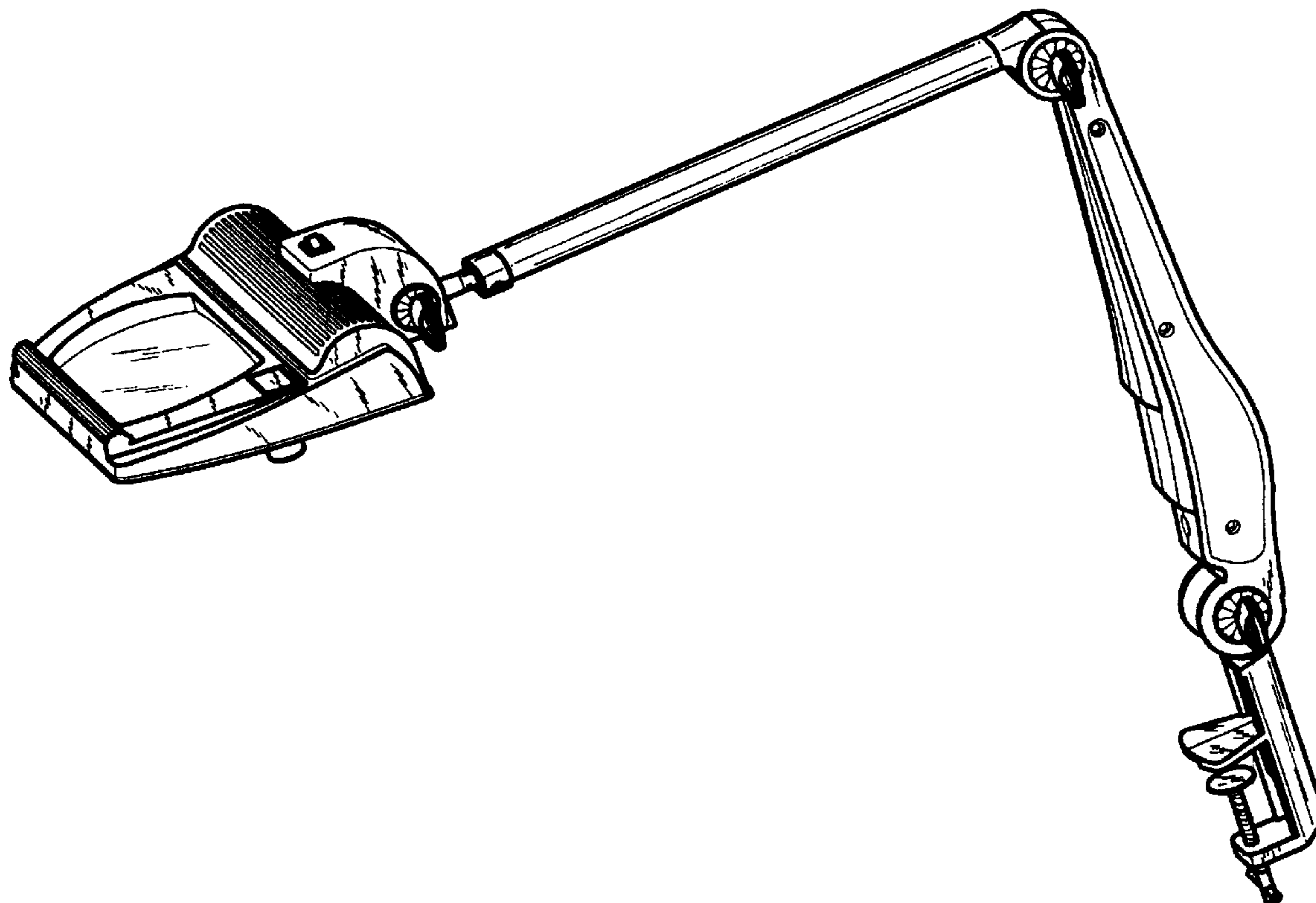
FIG. 7 is a prespective view thereof.

D378,859 S \* 4/1997 Yumita et al. .... D26/60

D385,052 S \* 10/1997 Huang ..... D26/60

\* cited by examiner

**1 Claim, 7 Drawing Sheets**



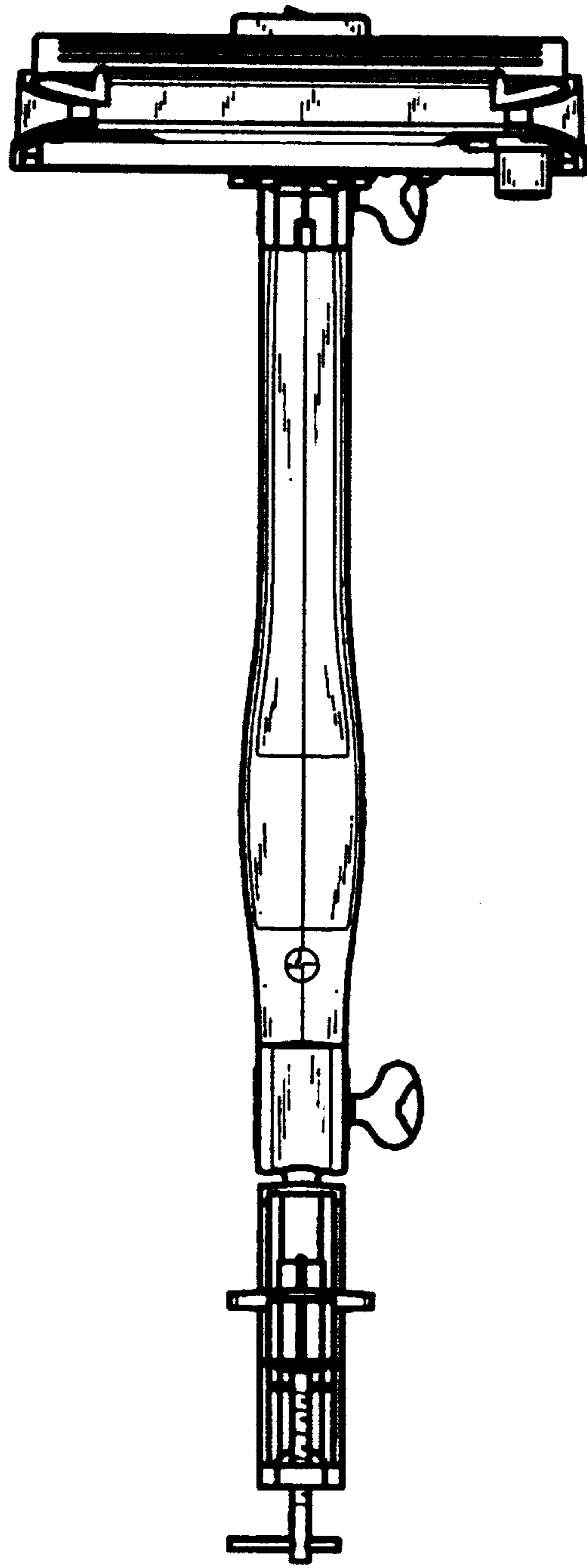


FIG. 1

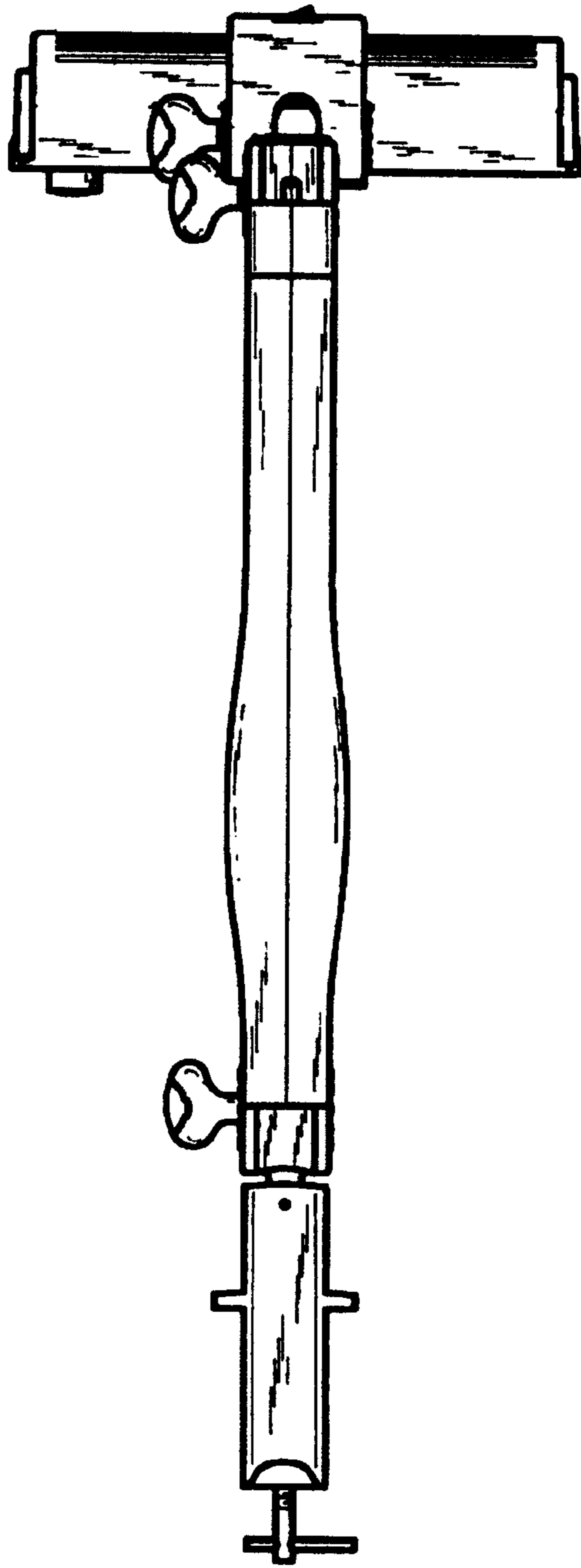


FIG. 2

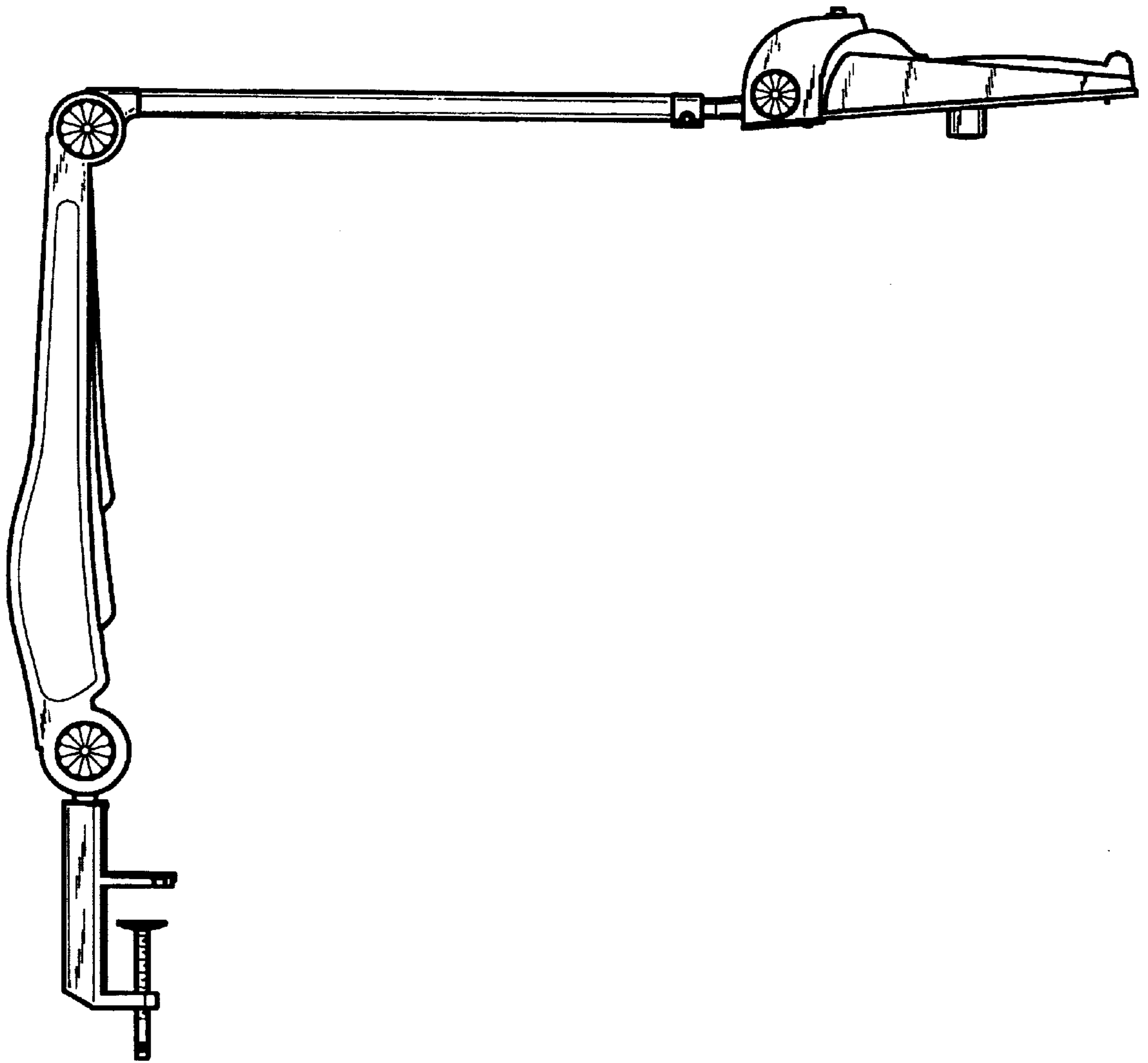


FIG. 3

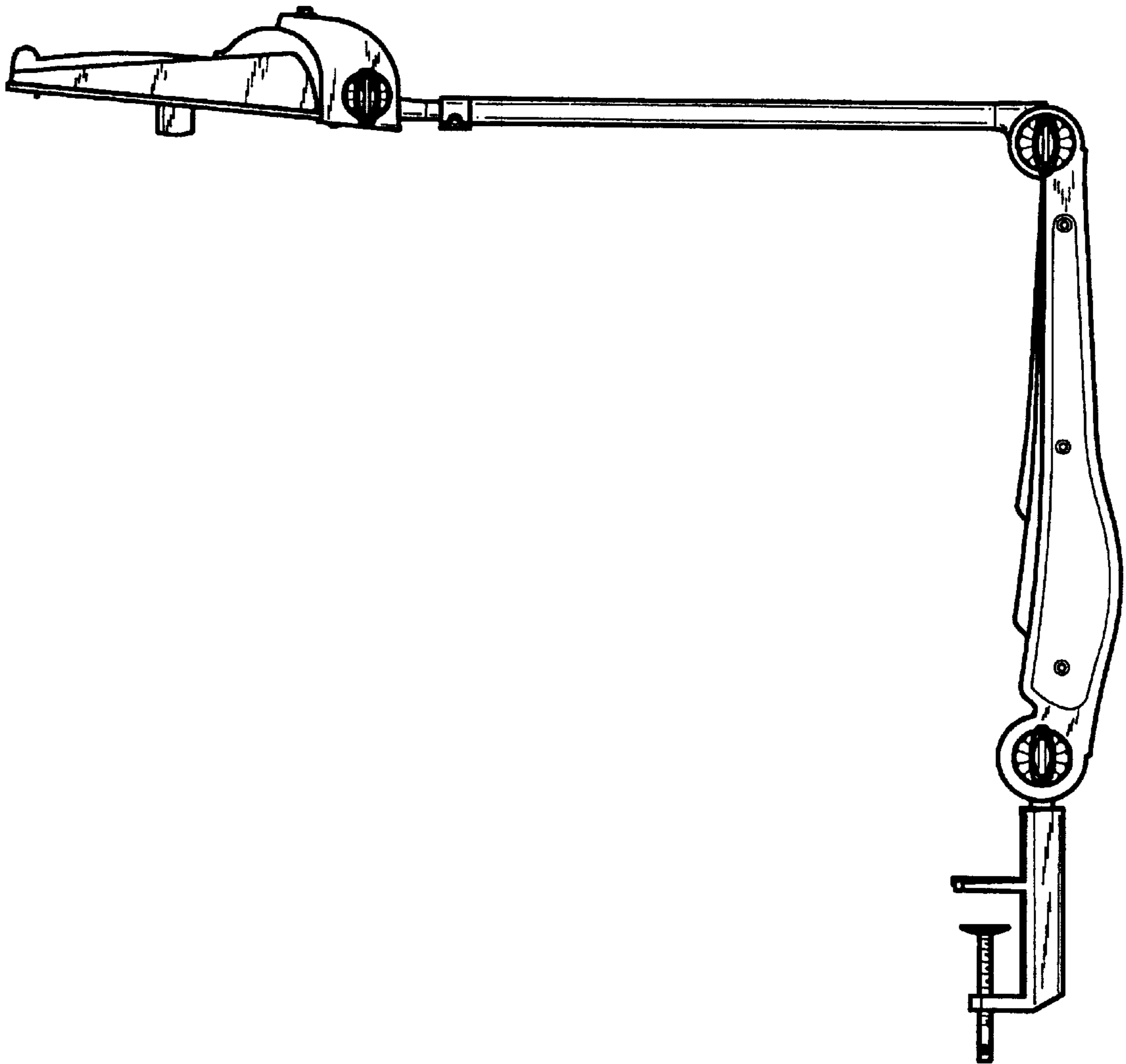
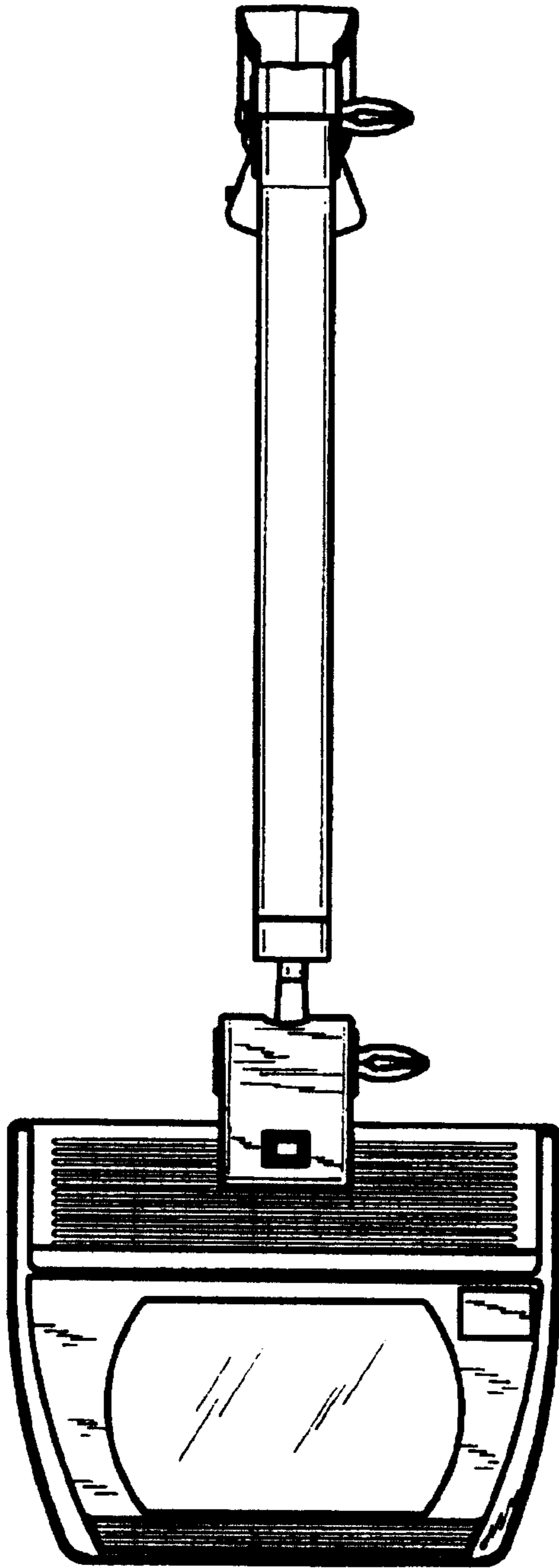


FIG. 4



**FIG. 5**

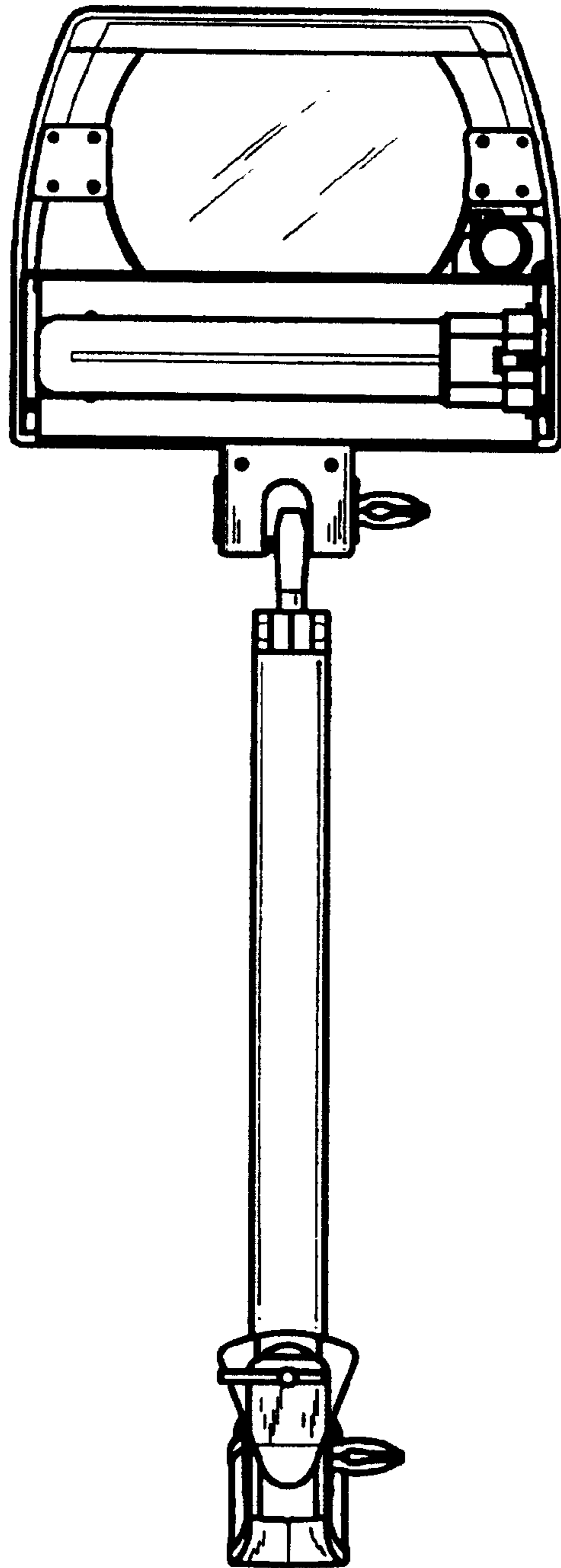


FIG. 6

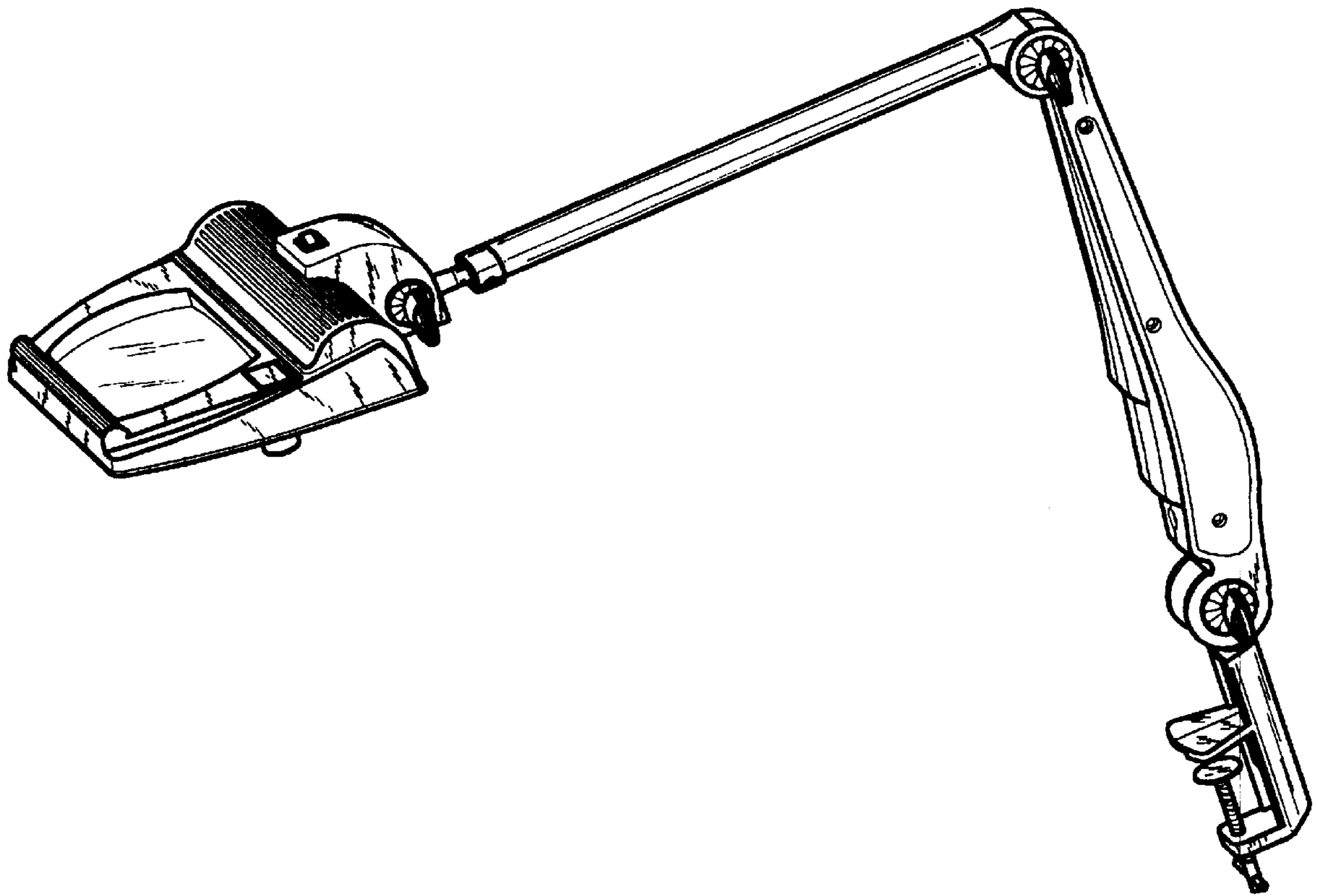


FIG. 7