



US00D474554S

(12) **United States Design Patent**
Dalton et al.

(10) **Patent No.:** **US D474,554 S**

(45) **Date of Patent:** **** May 13, 2003**

(54) **LIGHTING DEVICE**

D467,022 S * 12/2002 Fritz D26/49

* cited by examiner

(75) Inventors: **David R. Dalton**, Turramurra (AU);
John R. Brown, Mosman (AU);
Robert J. Smith, Rozelle (AU);
Timothy J. Rugendyke, Woy Woy
(AU); **Joseph P. Gardner**, North
Ridgeville, OH (US)

Primary Examiner—Marcus A. Jackson
(74) *Attorney, Agent, or Firm*—Robert W. Welsh

(57) **CLAIM**

We claim the ornamental design for a lighting device, as shown and described.

(73) Assignee: **Eveready Battery Company, Inc.**, St. Louis, MO (US)

DESCRIPTION

(**) Term: **14 Years**

FIG. 1 is a view showing a front end, top and a first side of the lighting device of the present invention;
FIG. 2 is a view showing a back end, bottom and a second side of the lighting device of the present invention;
FIG. 3 is a view of the top of the lighting device of the present invention;
FIG. 4 is a view of the bottom of the lighting device of the present invention;
FIG. 5 is a view of the first side of the lighting device of the present invention;
FIG. 6 is a view of the front end of the lighting device of the present invention; and,
FIG. 7 is a view of the back end of the lighting device of the present invention.

(21) Appl. No.: **29/164,179**

(22) Filed: **Jul. 19, 2002**

(51) **LOC (7) Cl.** **26-02**

(52) **U.S. Cl.** **D26/49**

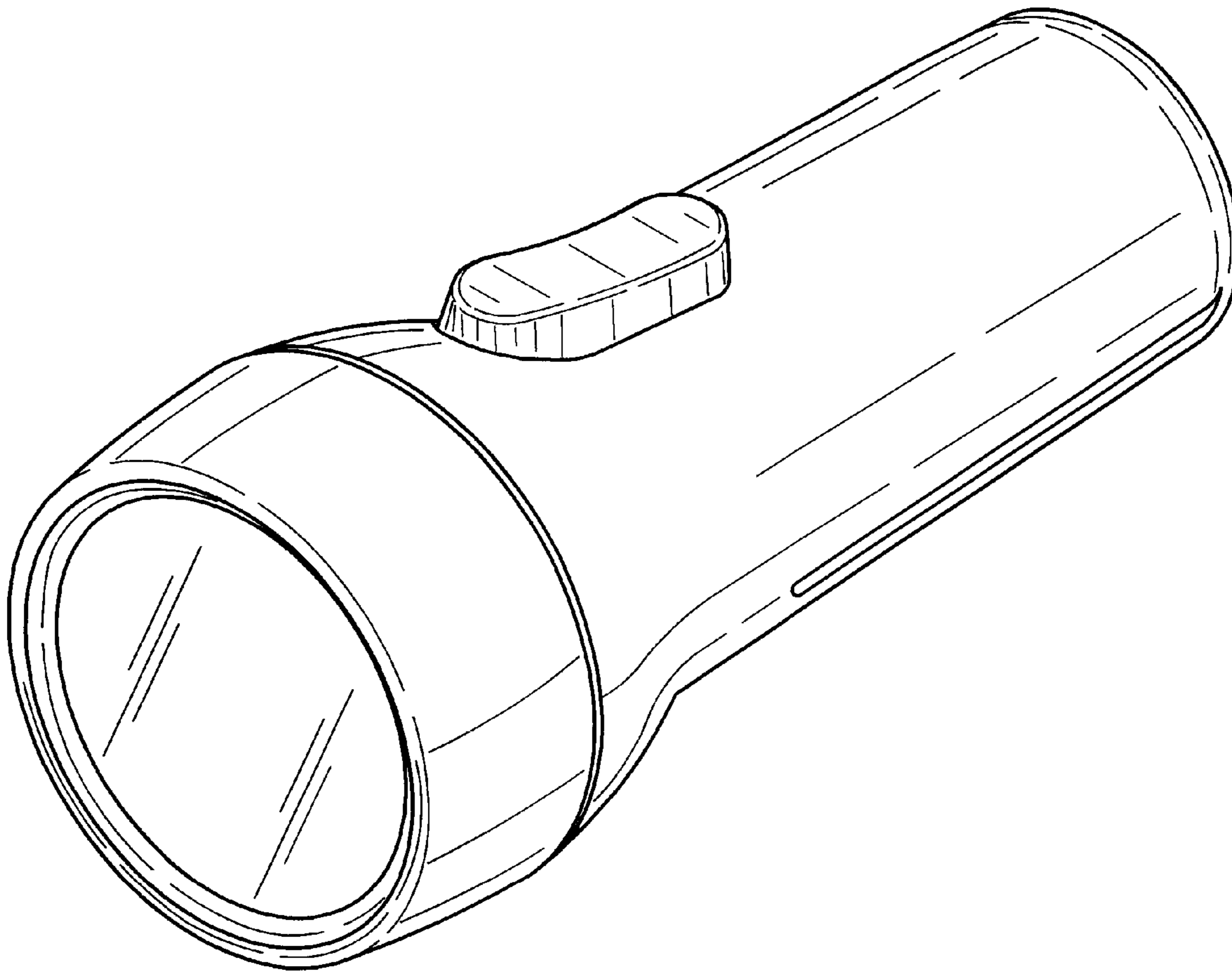
(58) **Field of Search** D26/37-50; 362/157,
362/158, 171, 172, 173, 183-208

(56) **References Cited**

U.S. PATENT DOCUMENTS

D449,704 S * 10/2001 Zhong D26/49

1 Claim, 3 Drawing Sheets



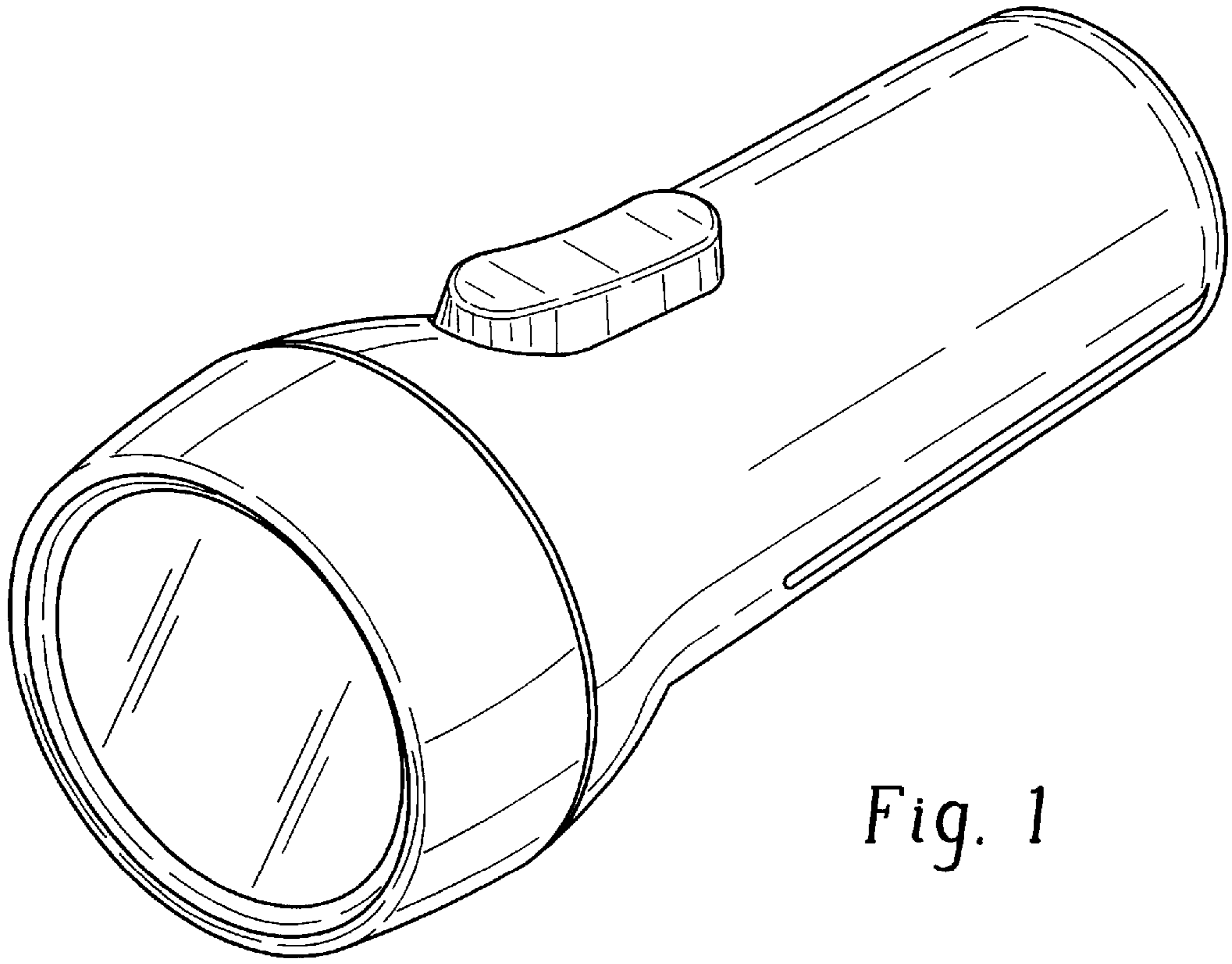


Fig. 1

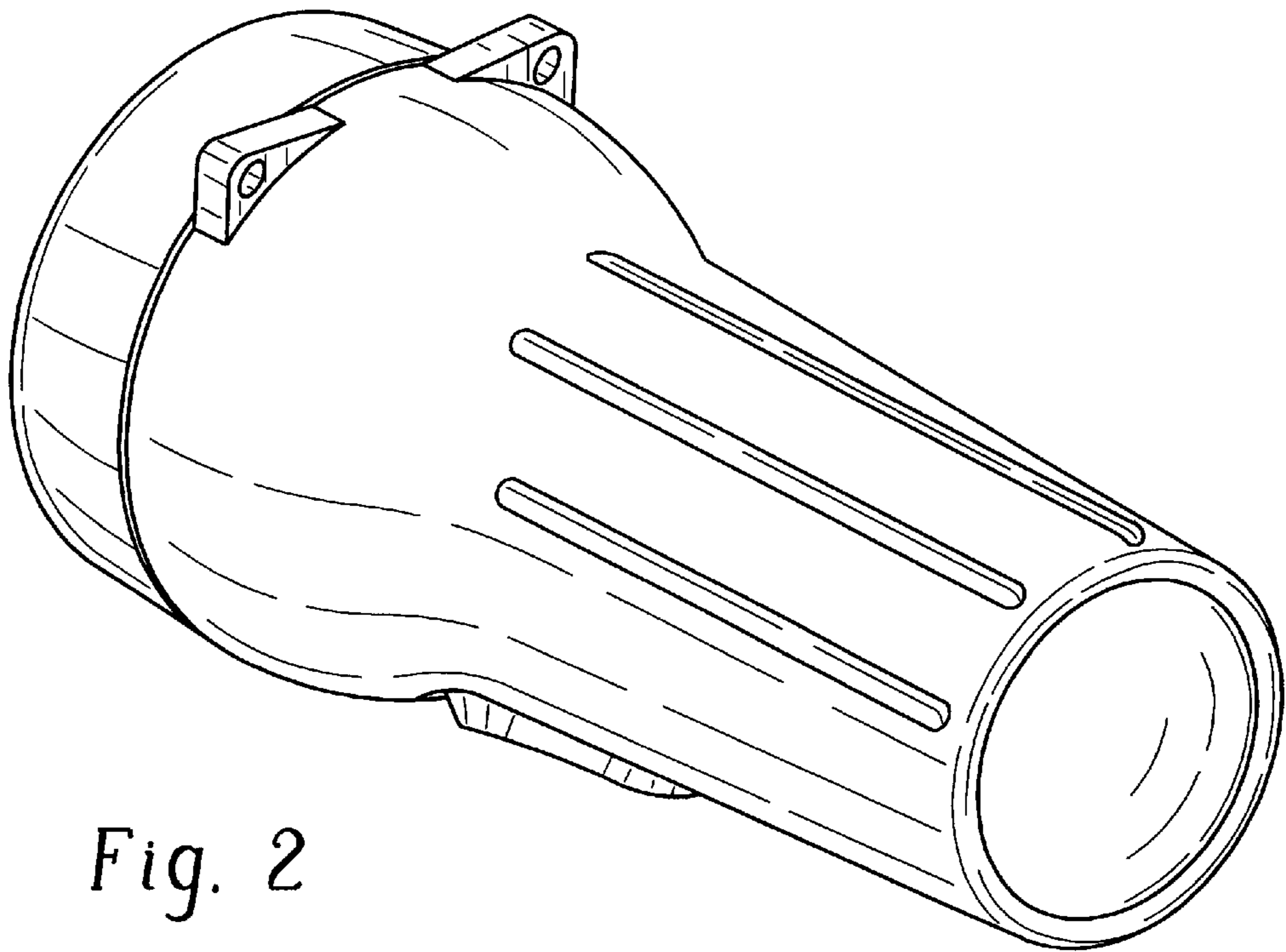


Fig. 2

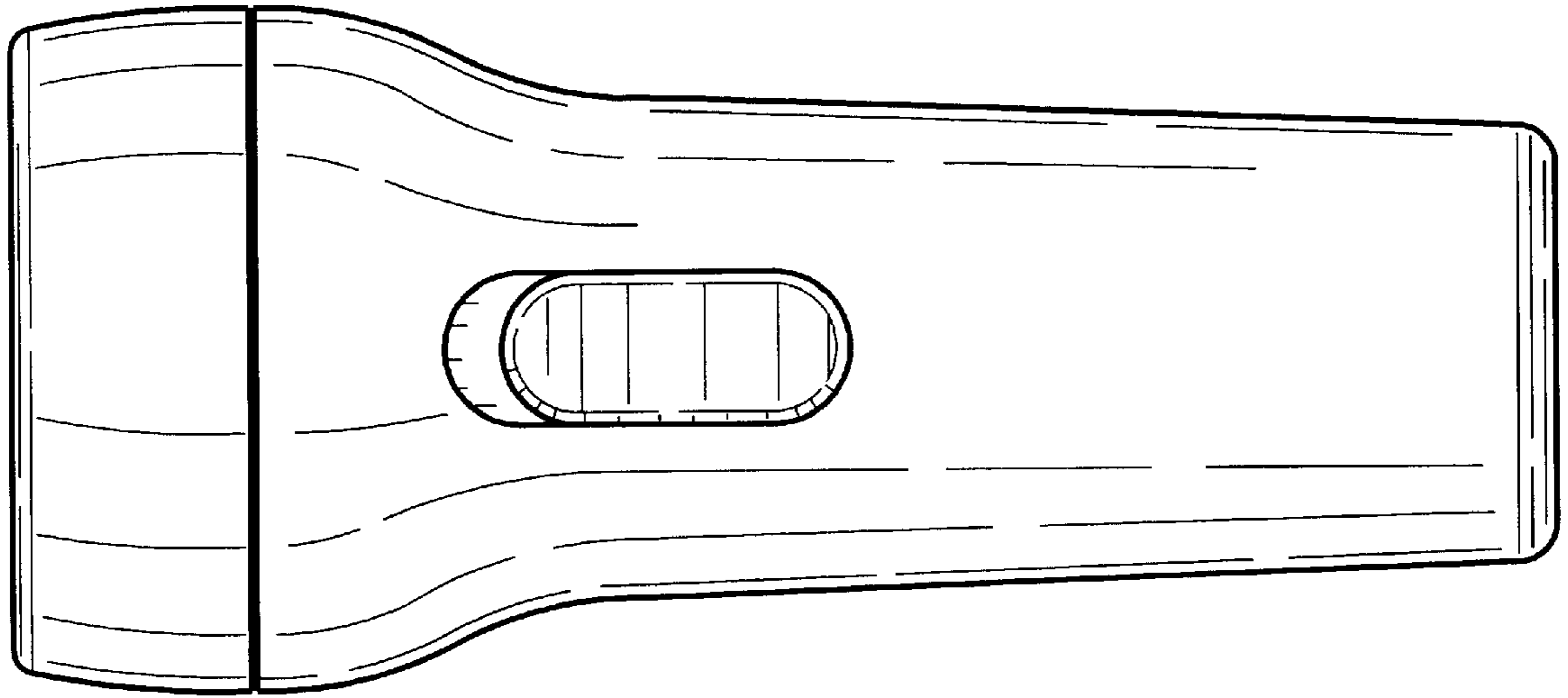


Fig. 3

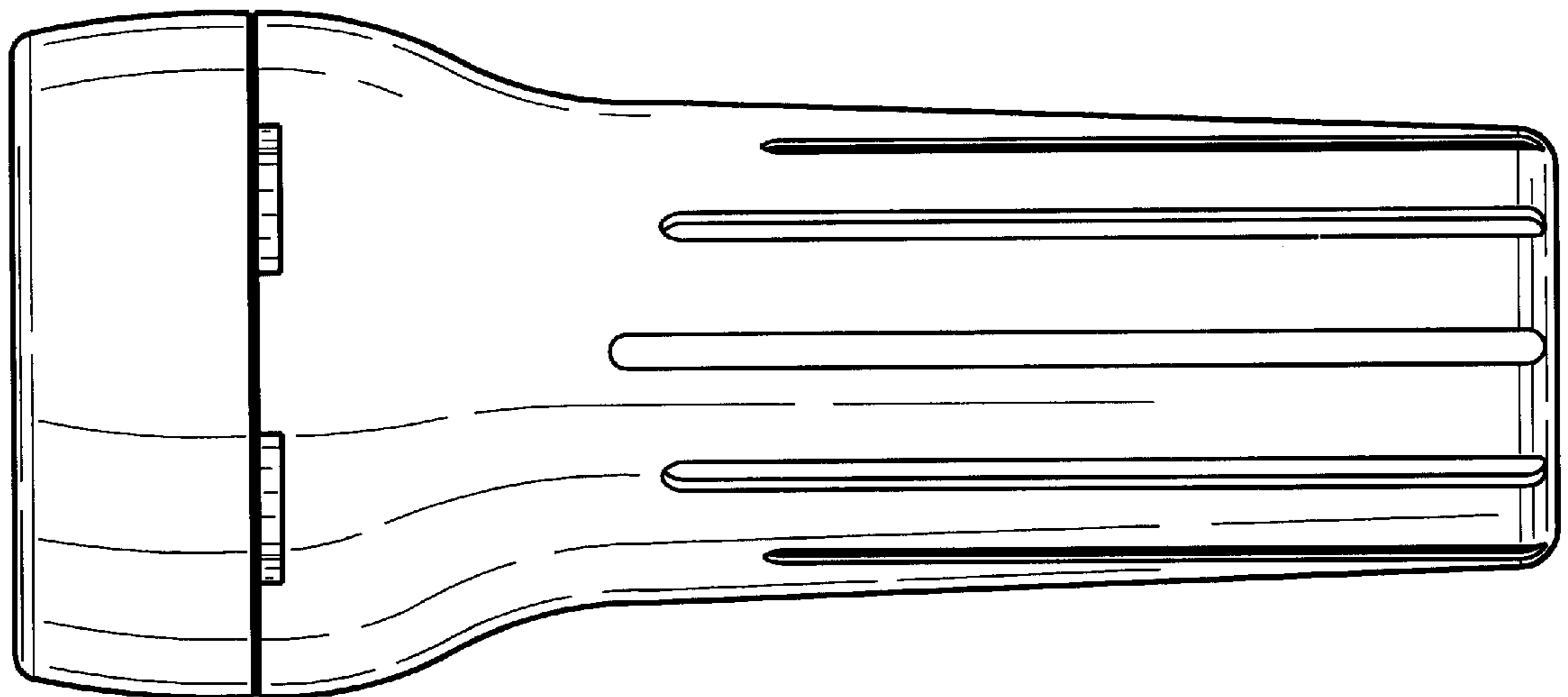


Fig. 4

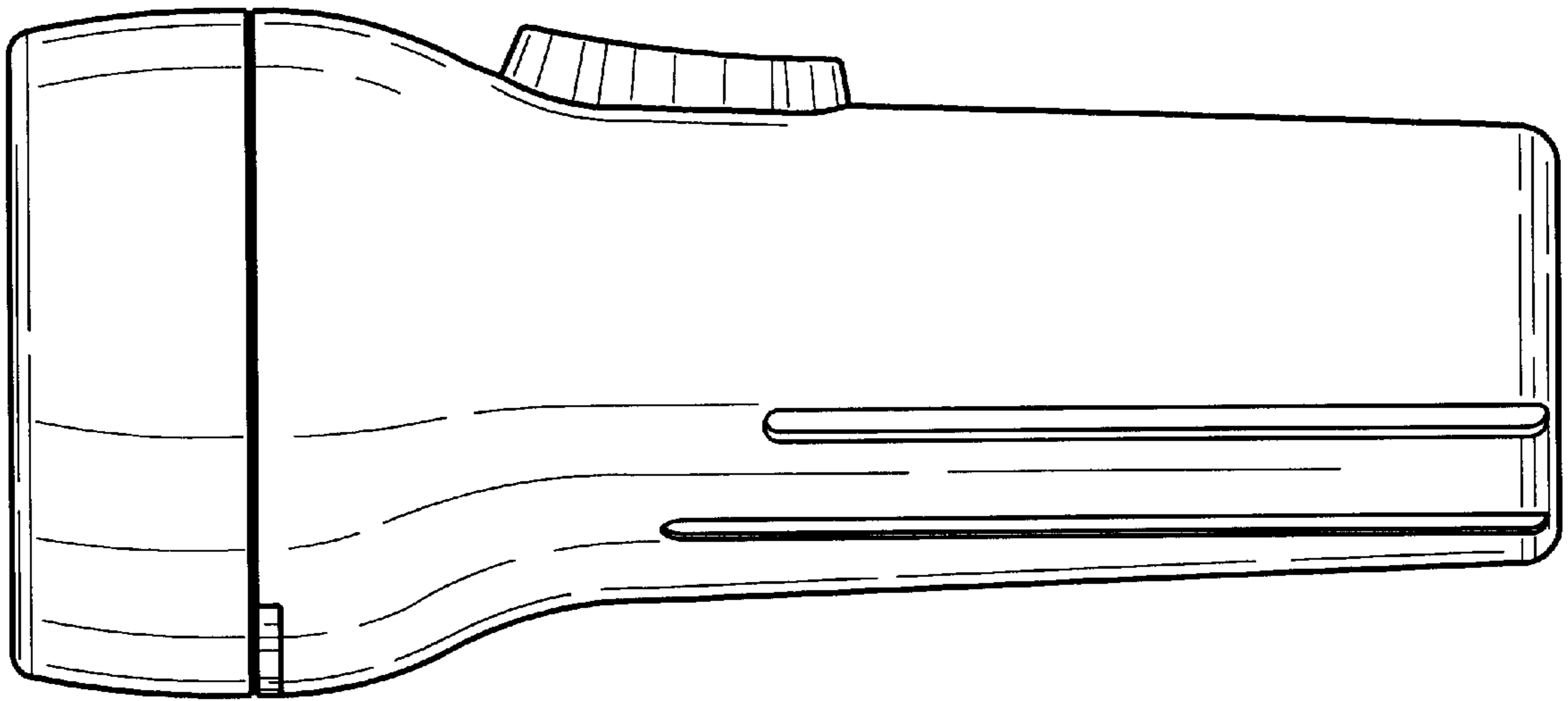


Fig. 5

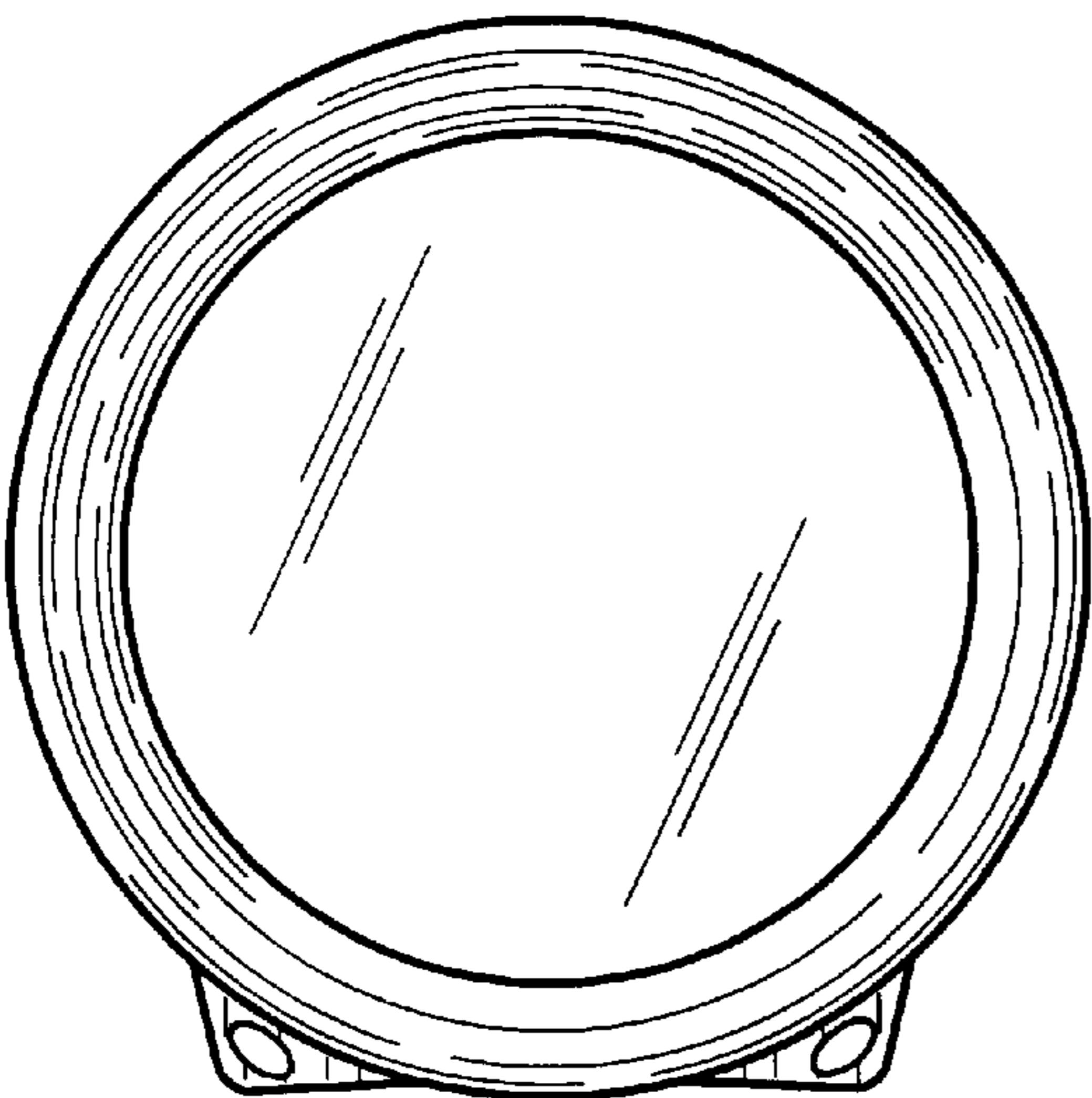


Fig. 6

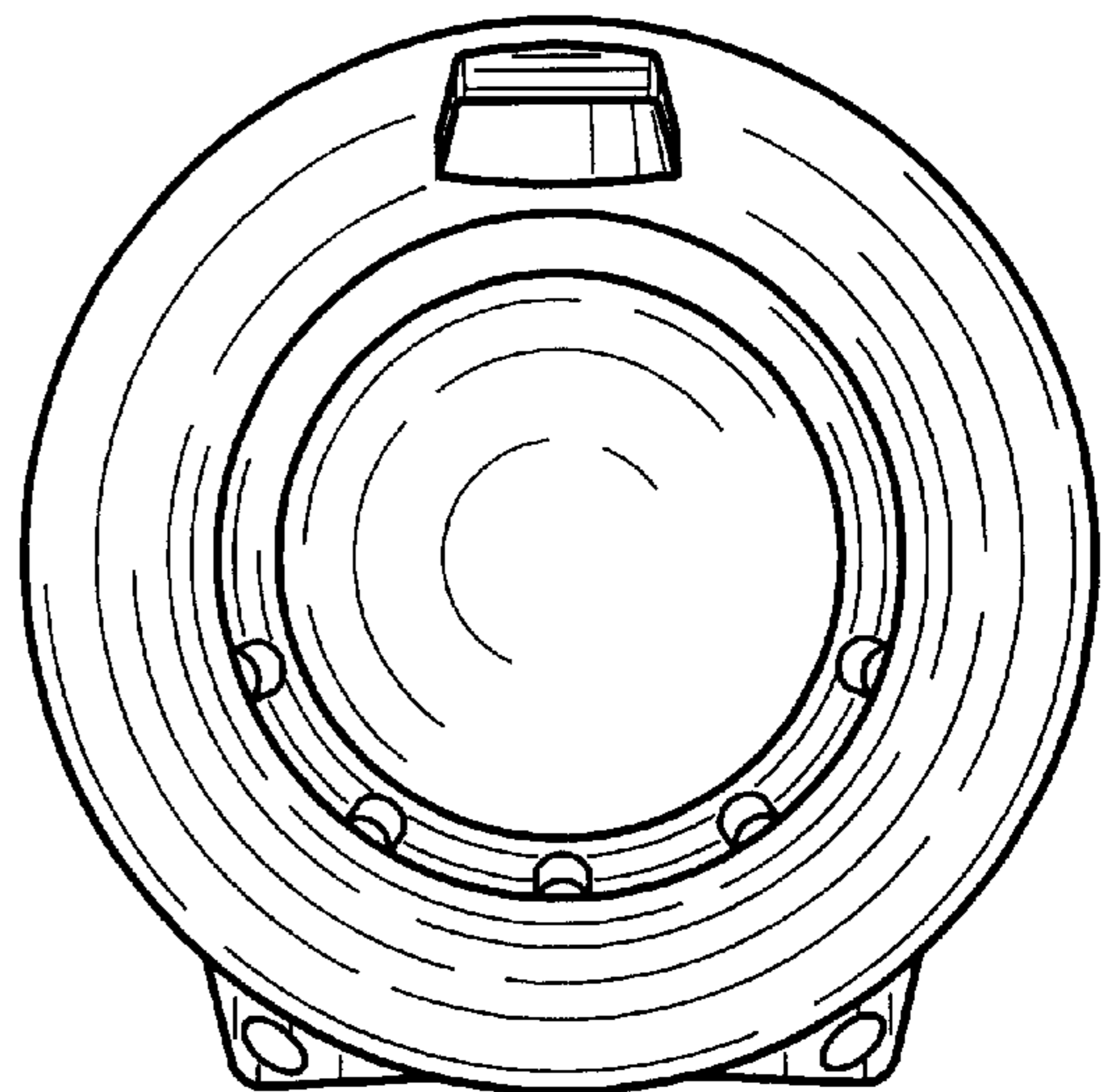


Fig. 7