



US00D474553S

(12) **United States Design Patent**
Poon

(10) **Patent No.:** **US D474,553 S**

(45) **Date of Patent:** **** May 13, 2003**

(54) **COMBINED LANTERN AND RADIO**

(75) Inventor: **Tit Wing Poon**, Shatin (CN)

(73) Assignee: **Flying Dragon Development Ltd.**,
Shatin (HK)

(**) Term: **14 Years**

(21) Appl. No.: **29/166,464**

(22) Filed: **Aug. 27, 2002**

(30) **Foreign Application Priority Data**

May 28, 2002 (HK) 0210781

(51) **LOC (7) Cl.** **26-02**

(52) **U.S. Cl.** **D26/40**

(58) **Field of Search** D26/37-50; 362/157,
362/158, 171, 172, 173, 183-208

(56) **References Cited**

U.S. PATENT DOCUMENTS

- D424,726 S * 5/2000 Petterson et al. D26/40
- D433,762 S * 11/2000 Yuen D26/40
- D434,163 S * 11/2000 Lee D26/40

D443,088 S * 5/2001 Skidmore et al. D26/40

* cited by examiner

Primary Examiner—Marcus A. Jackson

(74) *Attorney, Agent, or Firm*—Alix, Yale & Ristas, LLP

(57) **CLAIM**

The ornamental design for a combined lantern and radio, as shown and described.

DESCRIPTION

FIG. 1 is a front perspective view of the combined lantern and radio showing my new design;

FIG. 2 is a front view of the combined lantern and radio of FIG. 1;

FIG. 3 is a left side view of the combined lantern and radio of FIG. 1;

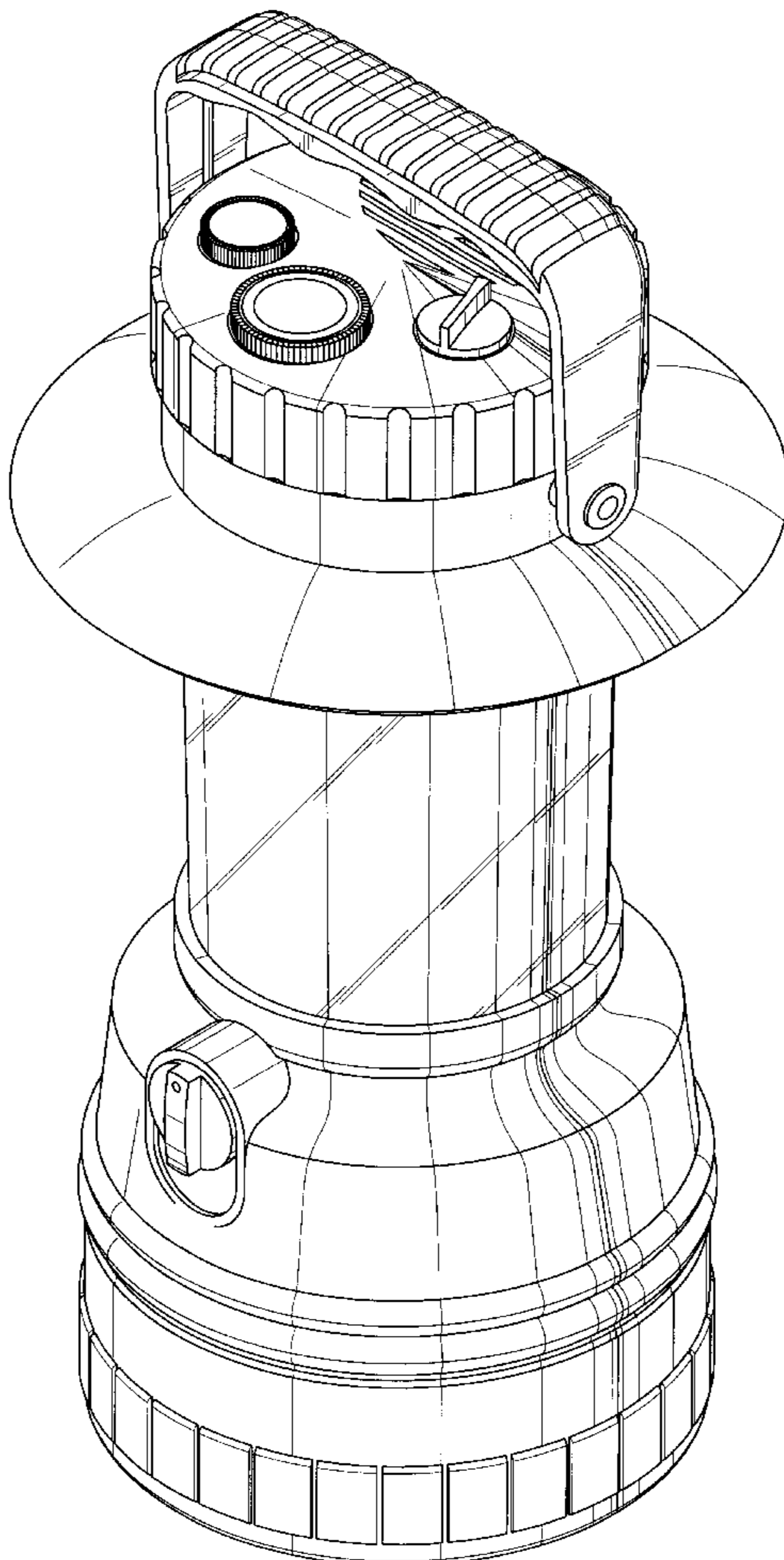
FIG. 4 is a right side view of the combined lantern and radio of FIG. 1;

FIG. 5 is a rear view of the combined lantern and radio of FIG. 1;

FIG. 6 is a top plan view of the combined lantern and radio of FIG. 1; and,

FIG. 7 is a bottom plan view of the combined lantern and radio of FIG. 1.

1 Claim, 7 Drawing Sheets



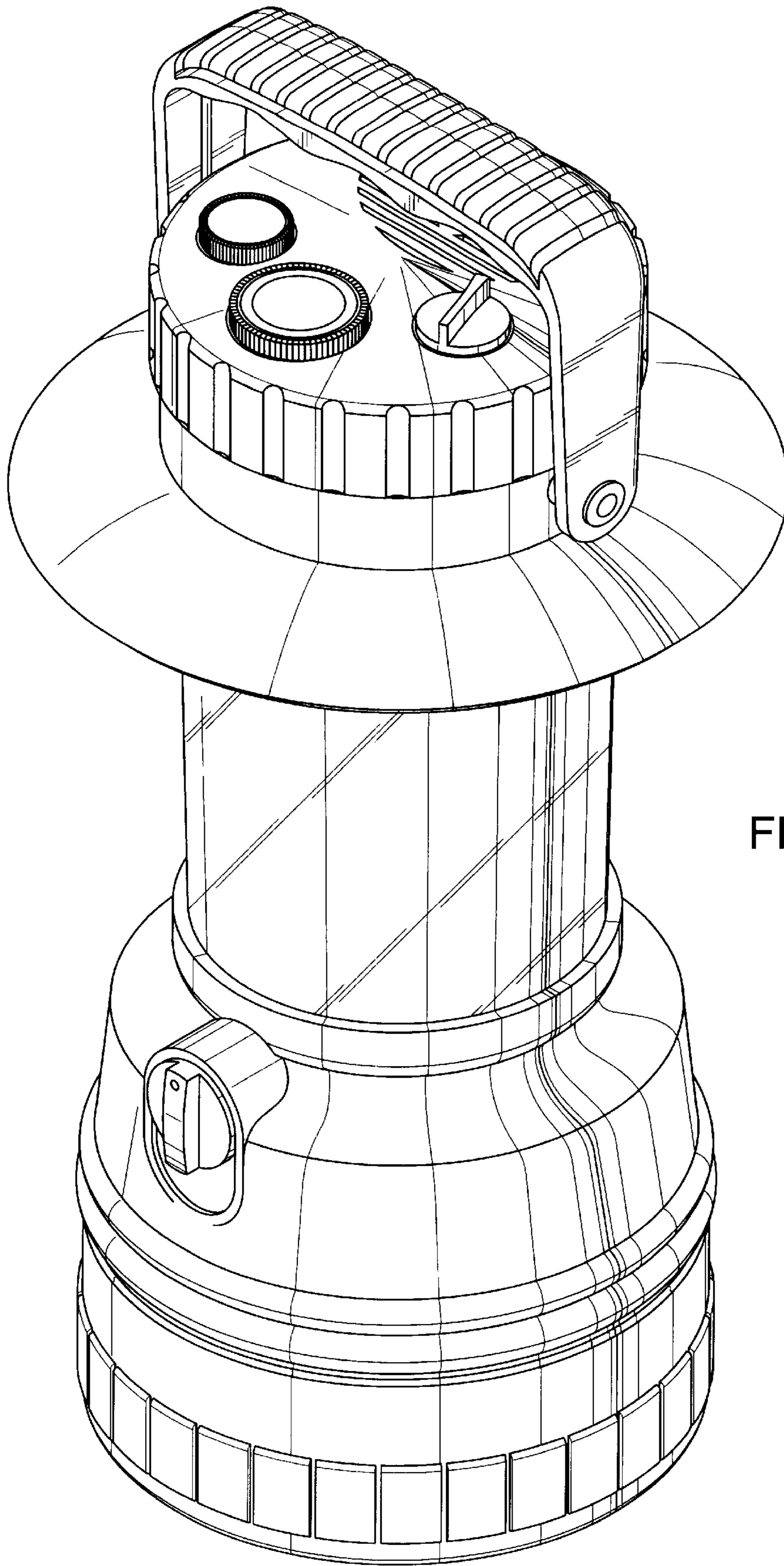


FIG. 1

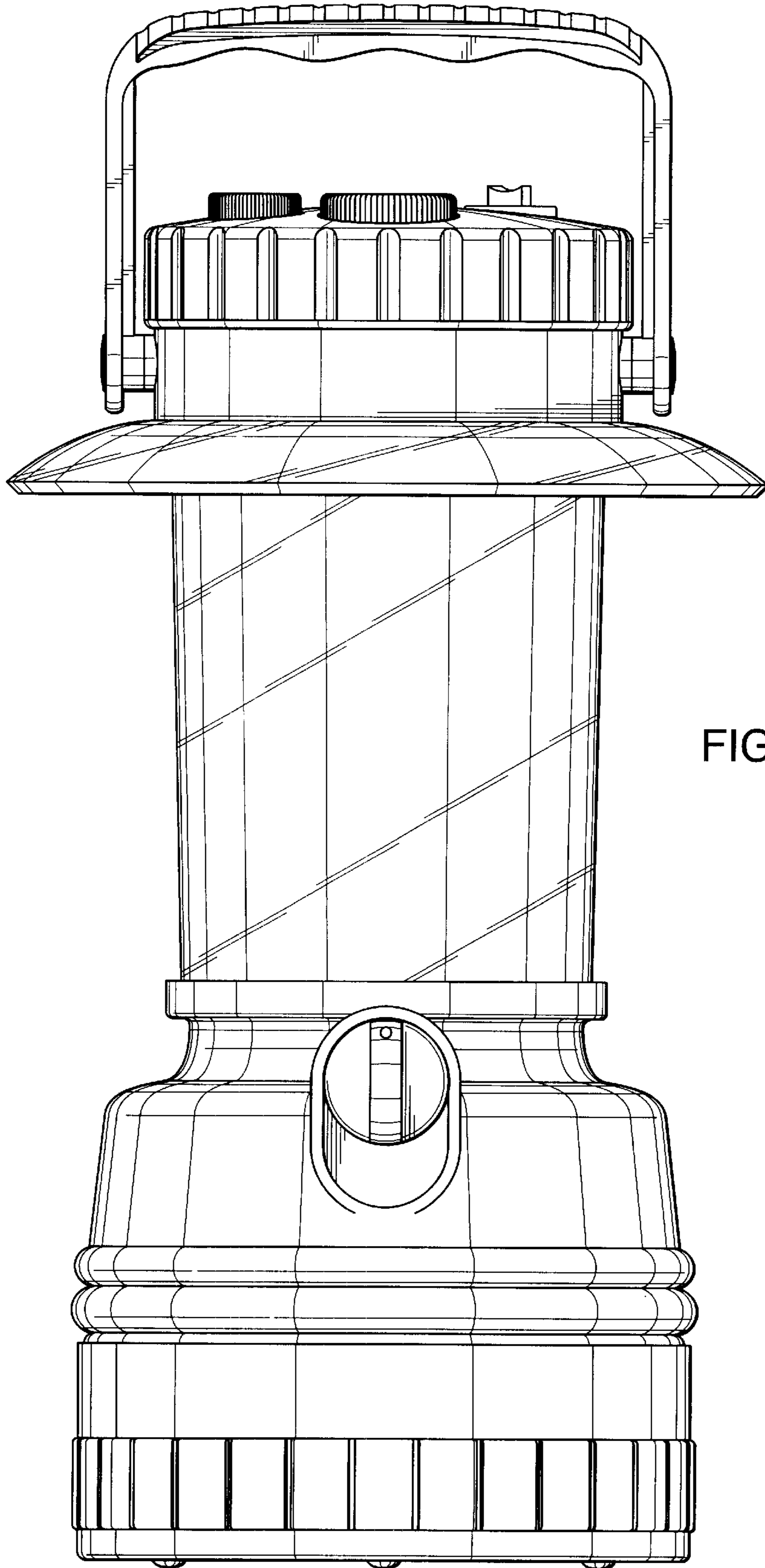


FIG. 2

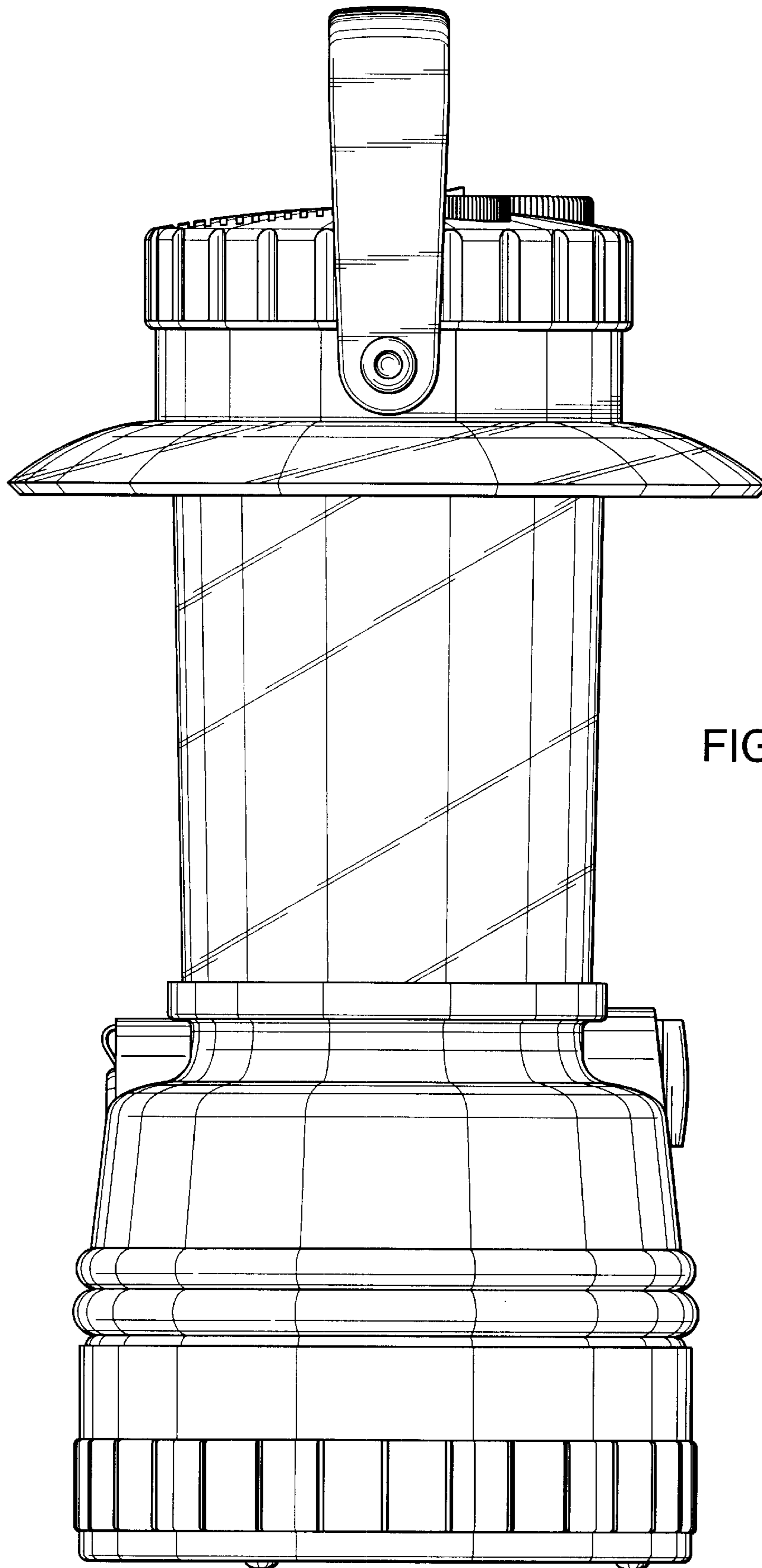


FIG. 3

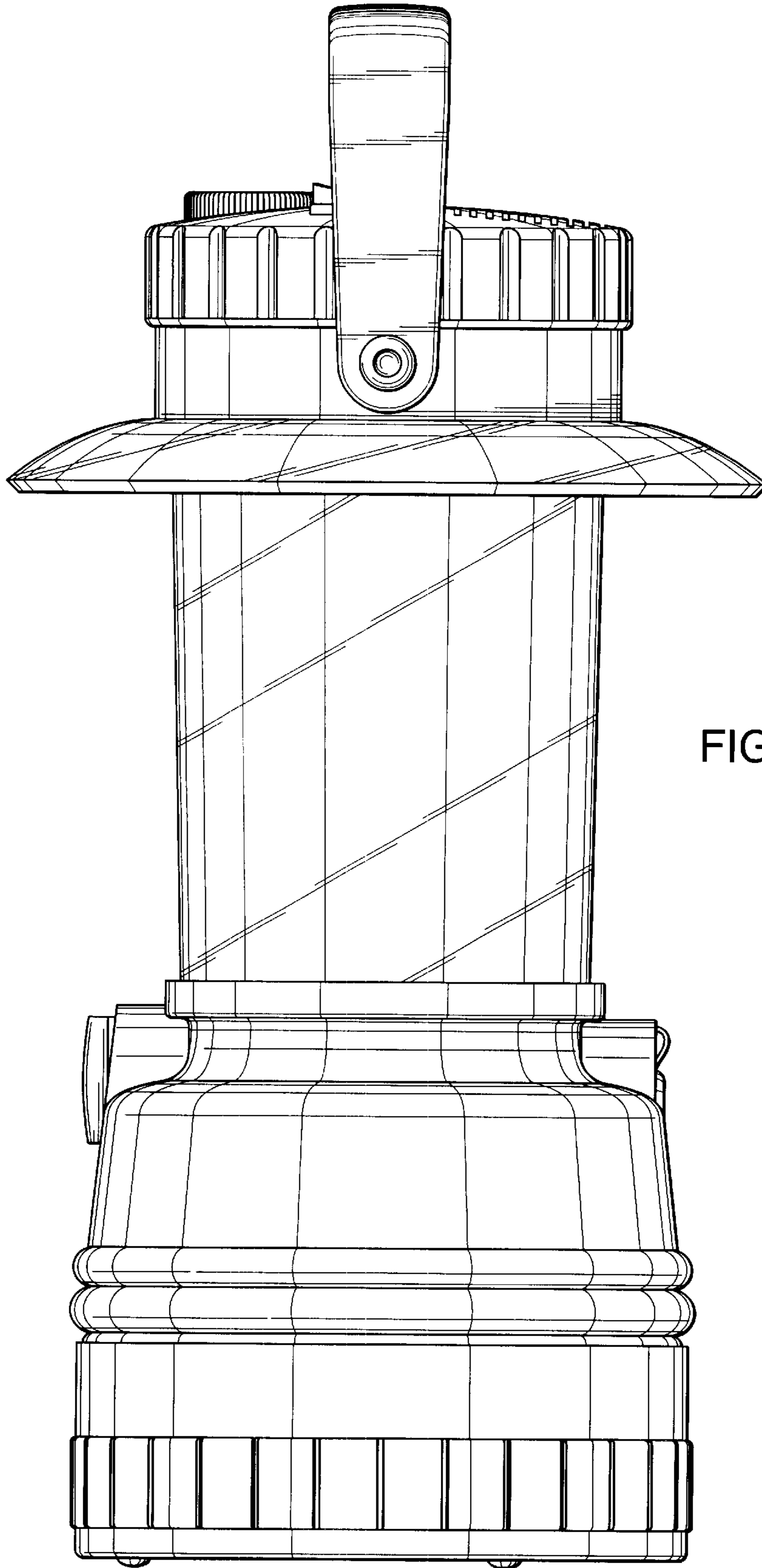


FIG. 4

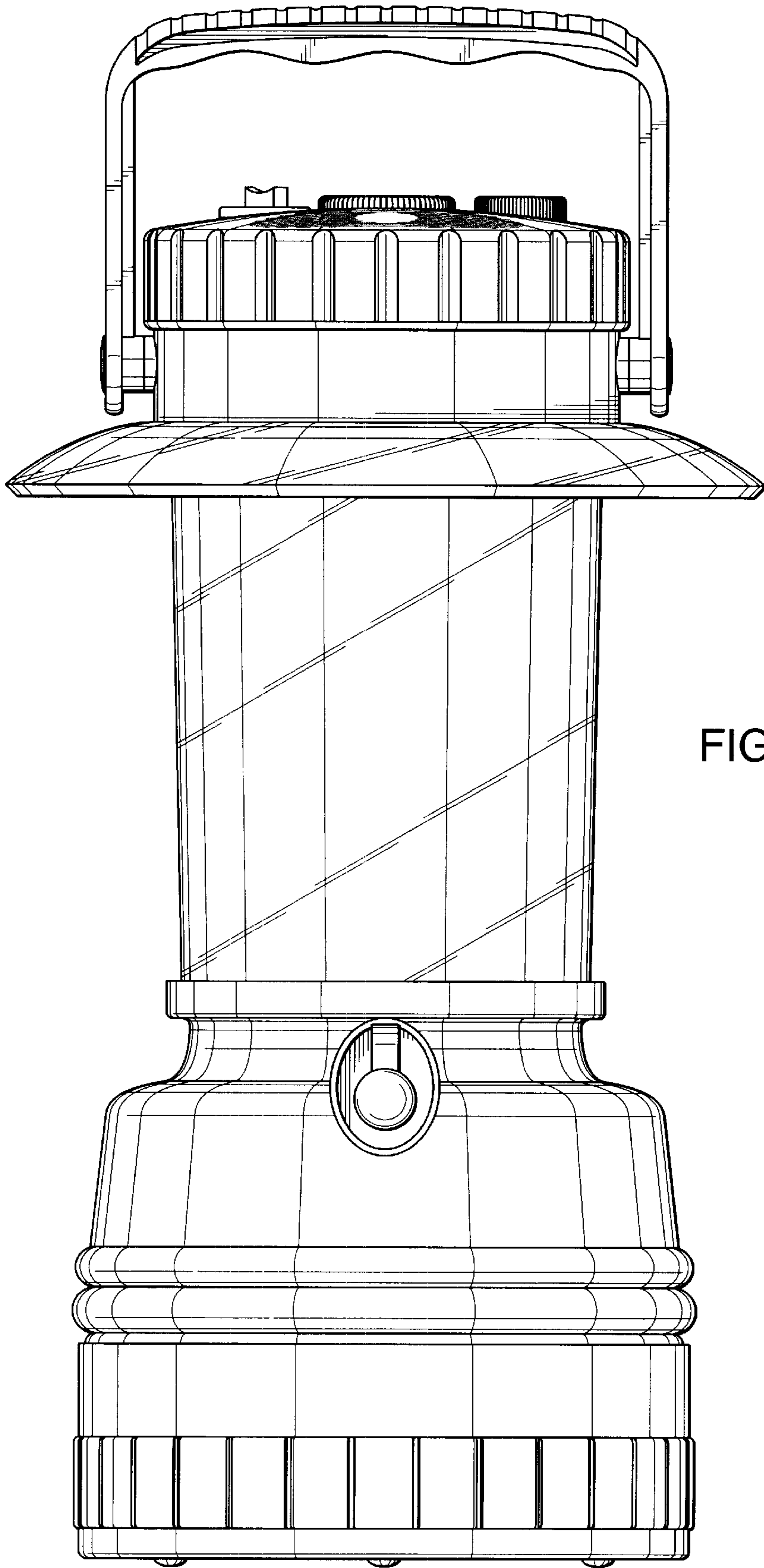


FIG. 5

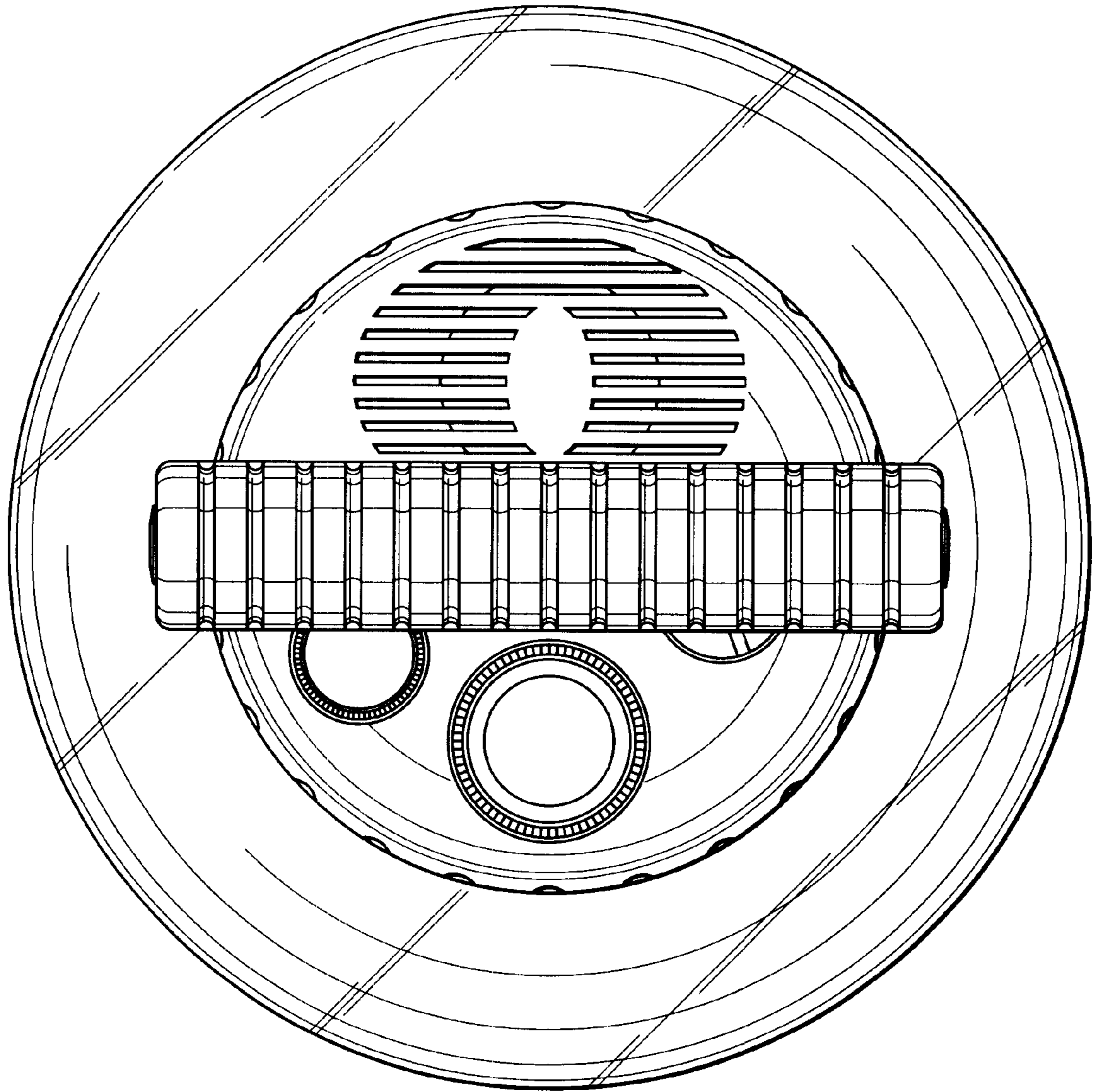


FIG. 6

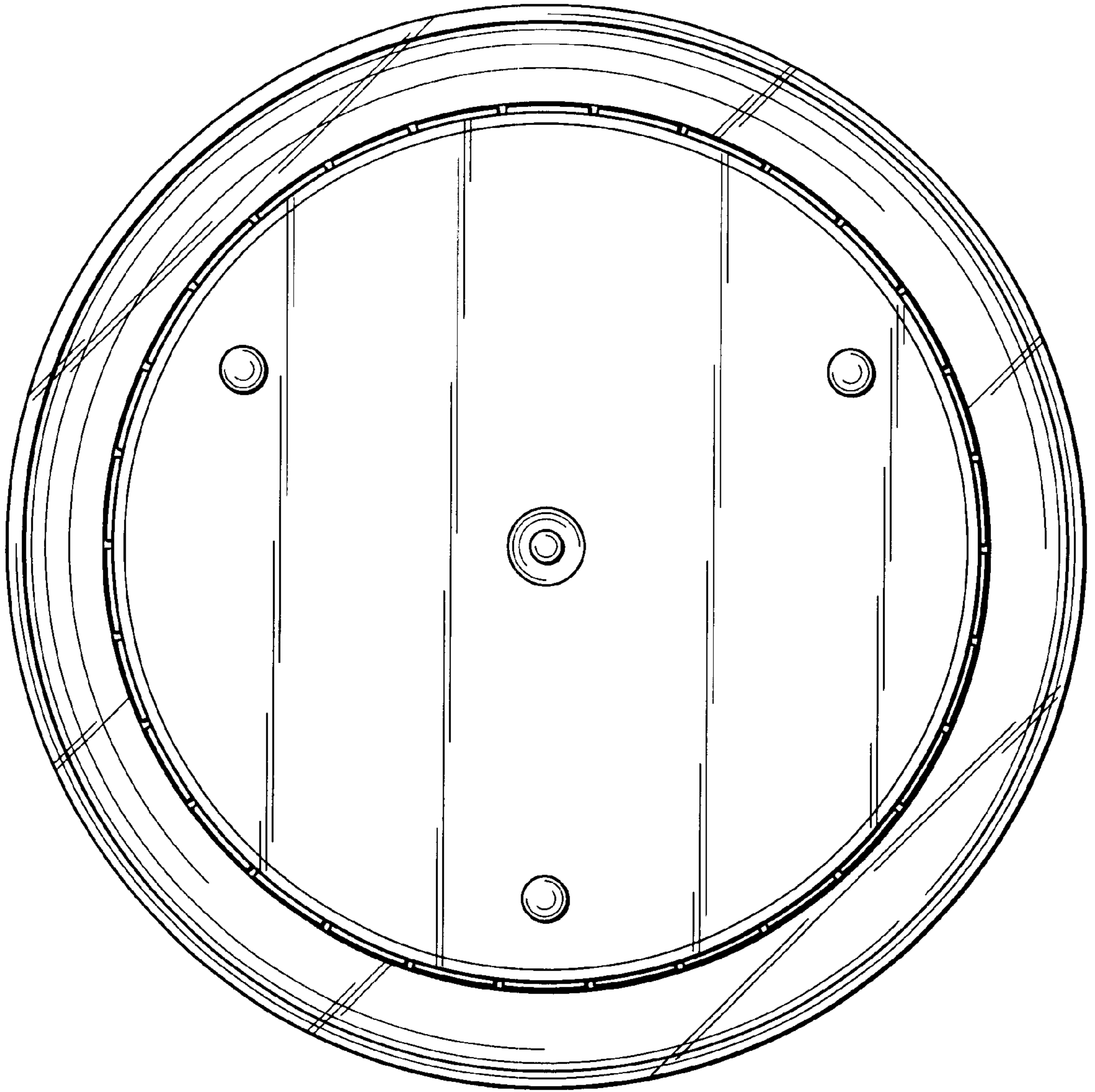


FIG. 7