



US00D474552S

(12) **United States Design Patent**  
**Poon**

(10) **Patent No.:** **US D474,552 S**

(45) **Date of Patent:** **\*\* May 13, 2003**

(54) **PORTABLE RECHARGEABLE BATTERY  
PACK WITH SPOTLIGHT**

D445,519 S \* 7/2001 Burns ..... D26/38

\* cited by examiner

(75) Inventor: **Tit Wing Poon**, Shatin (CN)

*Primary Examiner*—Marcus A. Jackson

(73) Assignee: **Flying Dragon Development Ltd.**,  
Shatin (CN)

(74) *Attorney, Agent, or Firm*—Alix, Yale & Ristas, LLP

(\*\*) Term: **14 Years**

(57) **CLAIM**

The ornamental design for a portable rechargeable battery pack with spotlight, as shown and described.

(21) Appl. No.: **29/164,496**

**DESCRIPTION**

(22) Filed: **Jul. 24, 2002**

(30) **Foreign Application Priority Data**

Jan. 25, 2002 (HK) ..... 0210124

(51) **LOC (7) Cl.** ..... **26-02**

(52) **U.S. Cl.** ..... **D26/38**

(58) **Field of Search** ..... D26/37-50; D14/168,  
D14/188, 189; 362/157, 158, 171, 172,  
173, 183-208

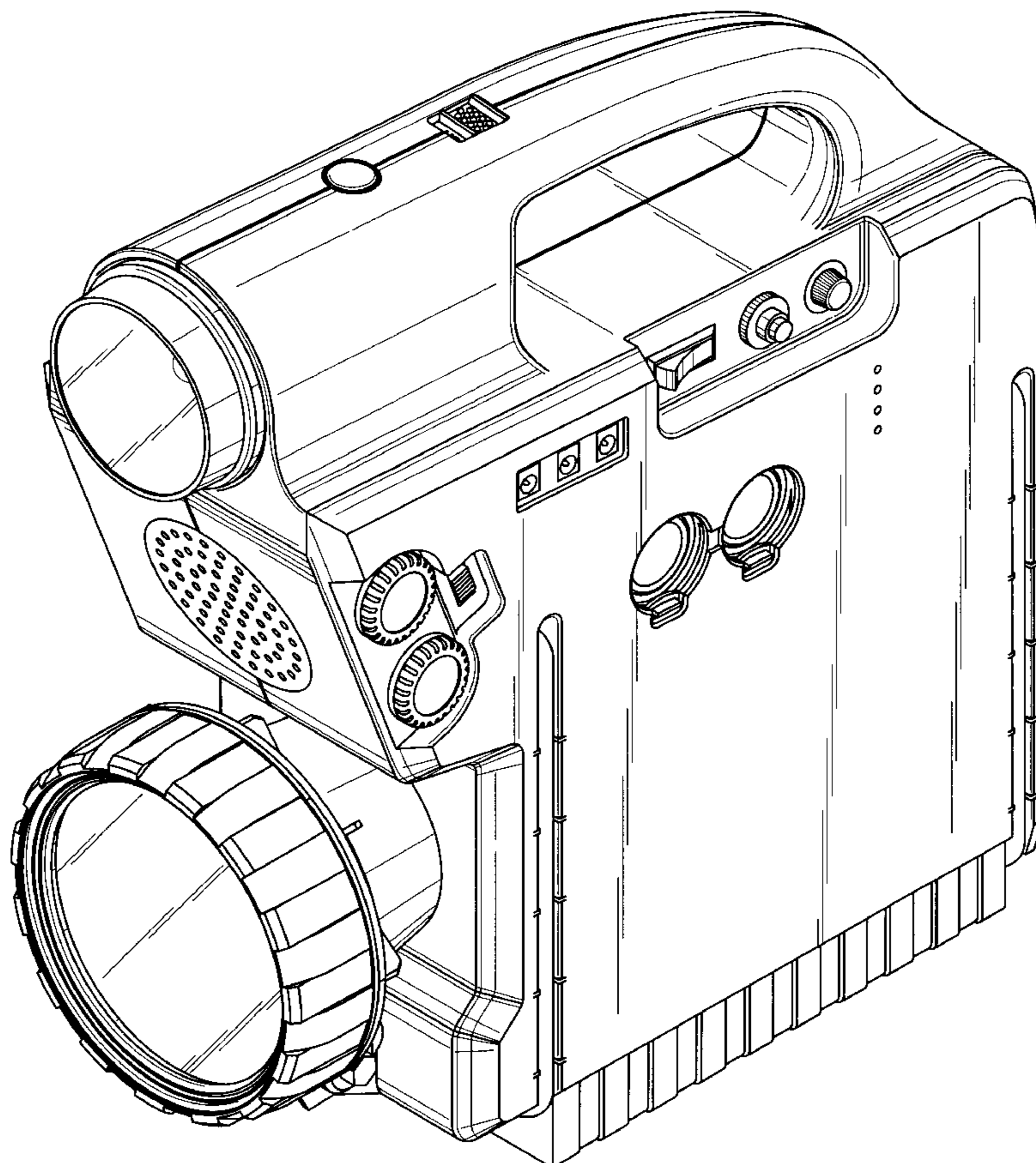
FIG. 1 is a front perspective view of the portable rechargeable battery pack with spotlight showing my new design; FIG. 2 is a front view of the portable rechargeable battery pack with spotlight of FIG. 1; FIG. 3 is a rear view of the portable rechargeable battery pack with spotlight of FIG. 1; FIG. 4 is a left side view of the portable rechargeable battery pack with spotlight of FIG. 1; FIG. 5 is a right side view of the portable rechargeable battery pack with spotlight of FIG. 1; FIG. 6 is a top plan view of the portable rechargeable battery pack with spotlight of FIG. 1; and, FIG. 7 is a bottom plan view of the portable rechargeable battery pack with spotlight of FIG. 1.

(56) **References Cited**

**U.S. PATENT DOCUMENTS**

D438,315 S \* 2/2001 Yuen ..... D26/38  
D441,110 S \* 4/2001 Lam ..... D26/38

**1 Claim, 5 Drawing Sheets**



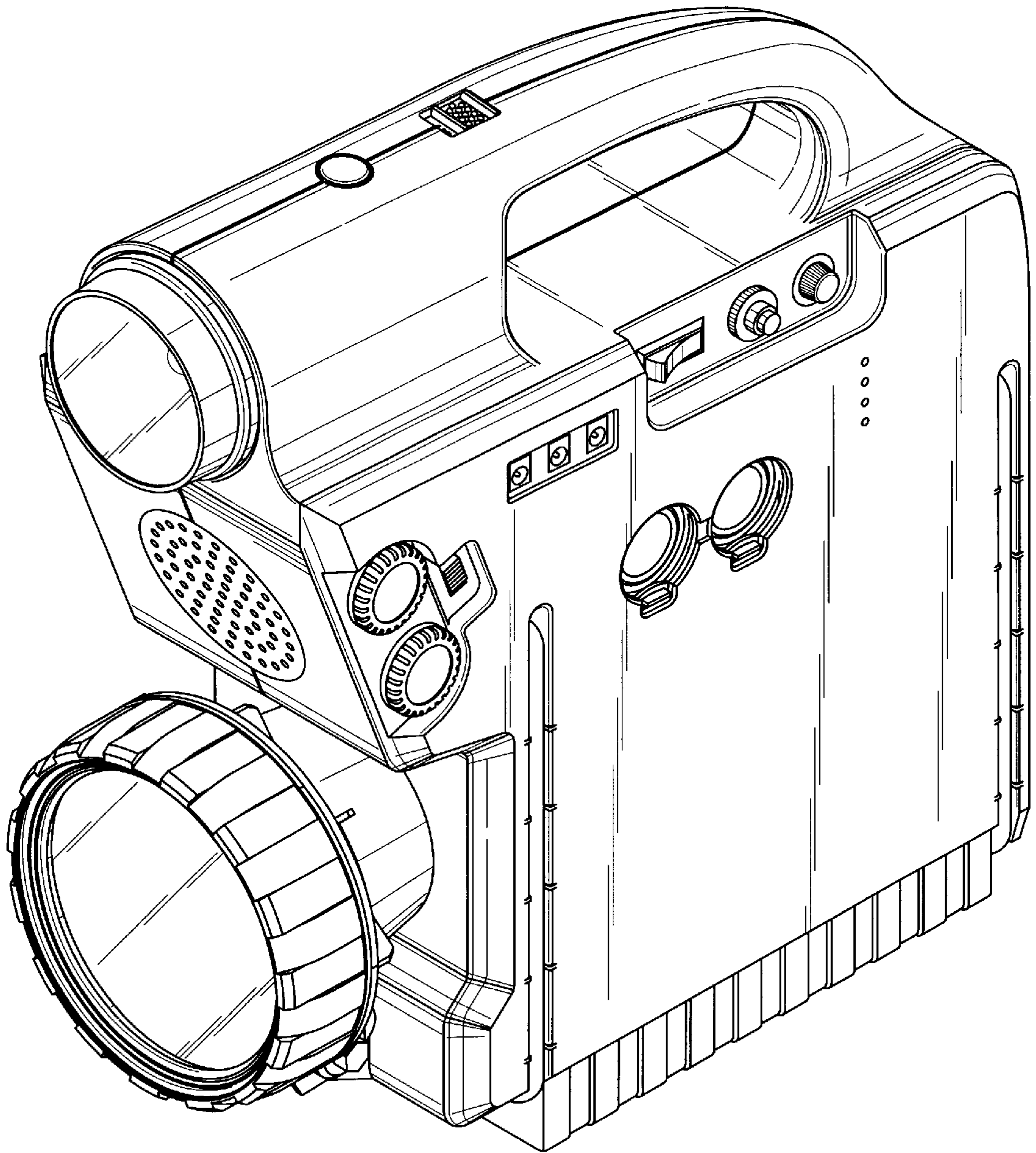


FIG. 1

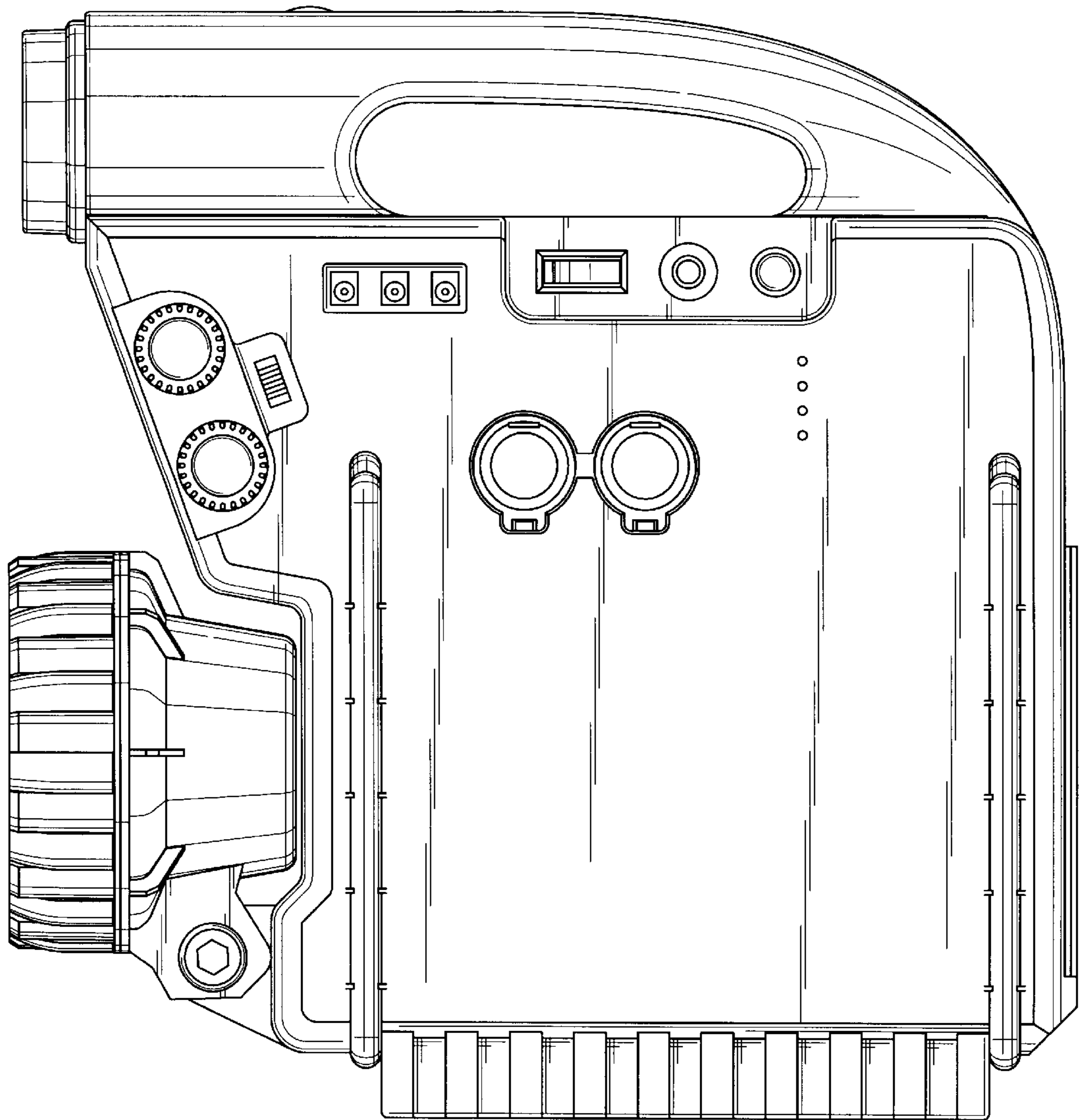


FIG. 2



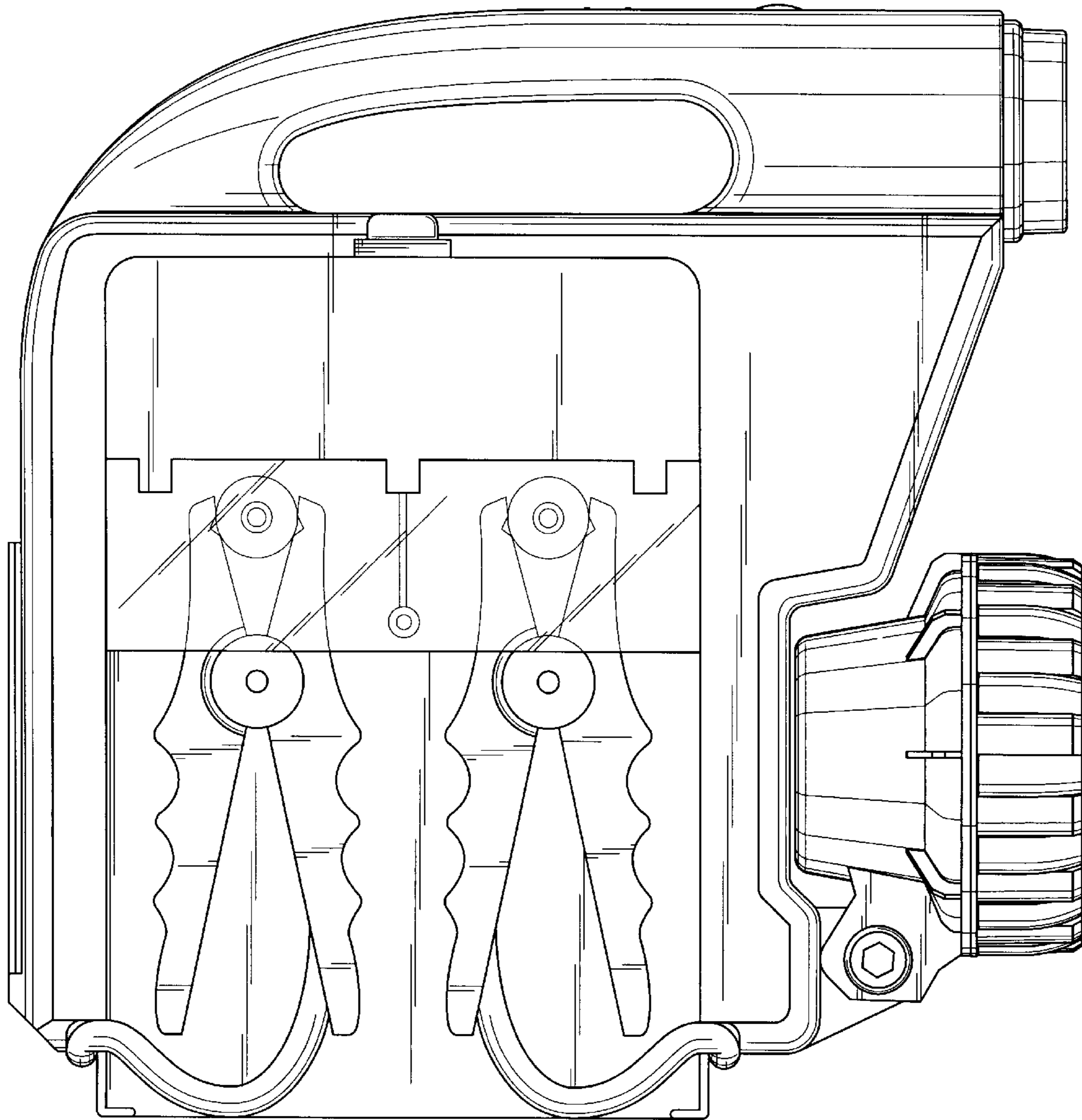


FIG. 3

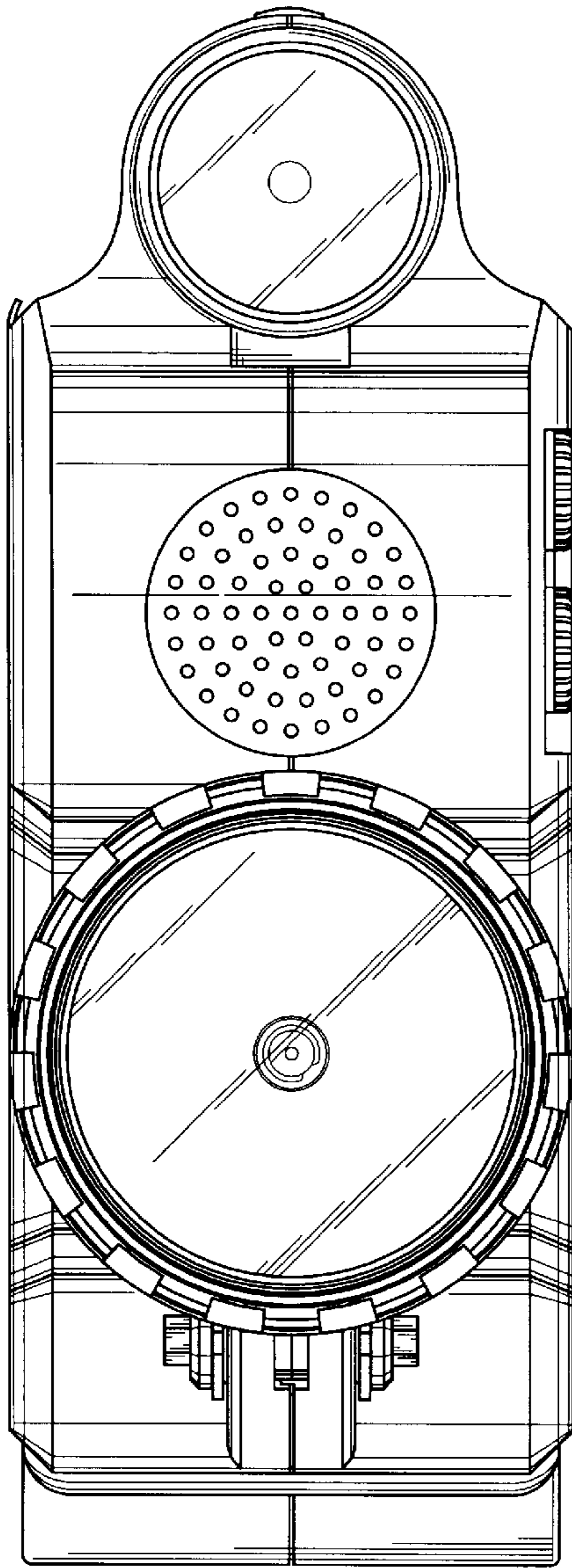


FIG. 4

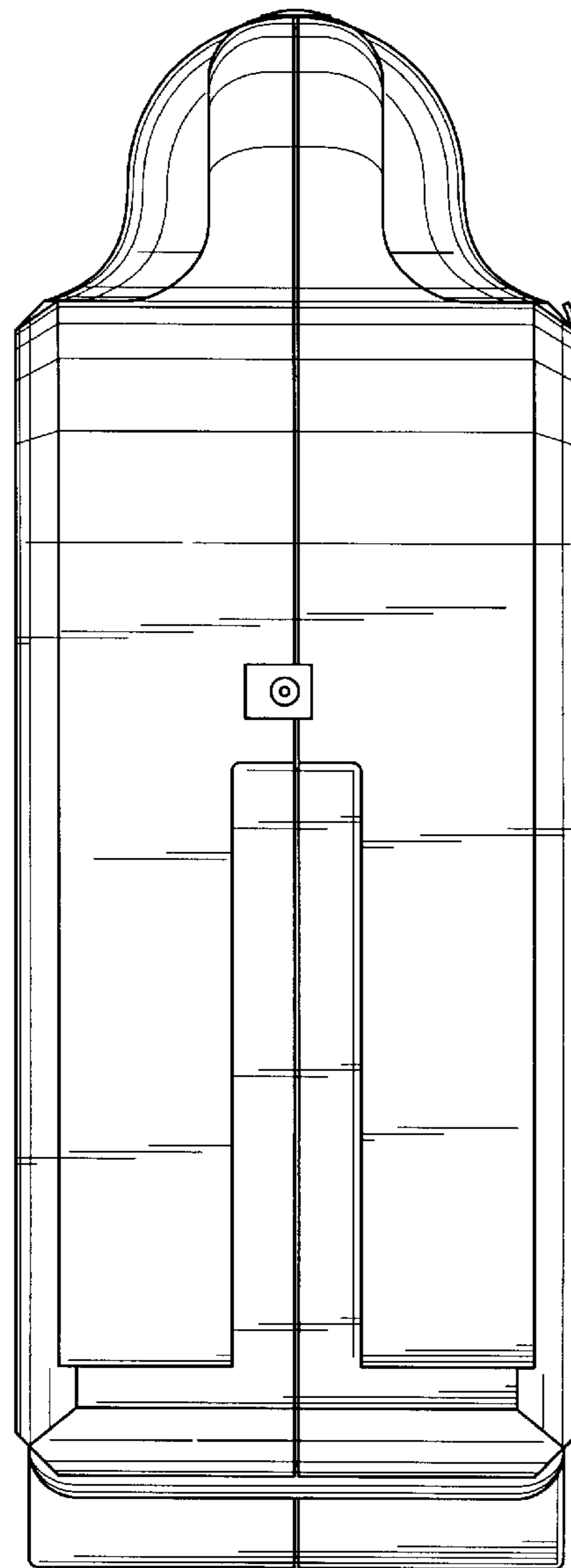


FIG. 5

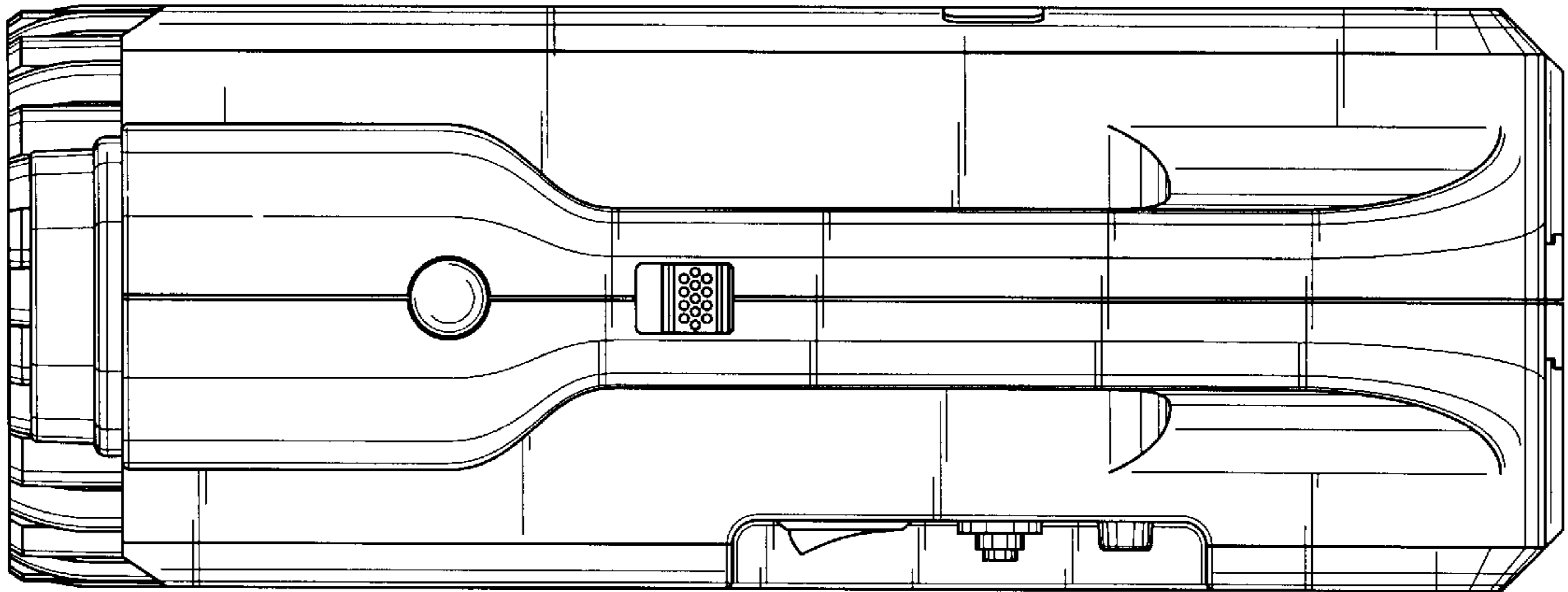


FIG. 6

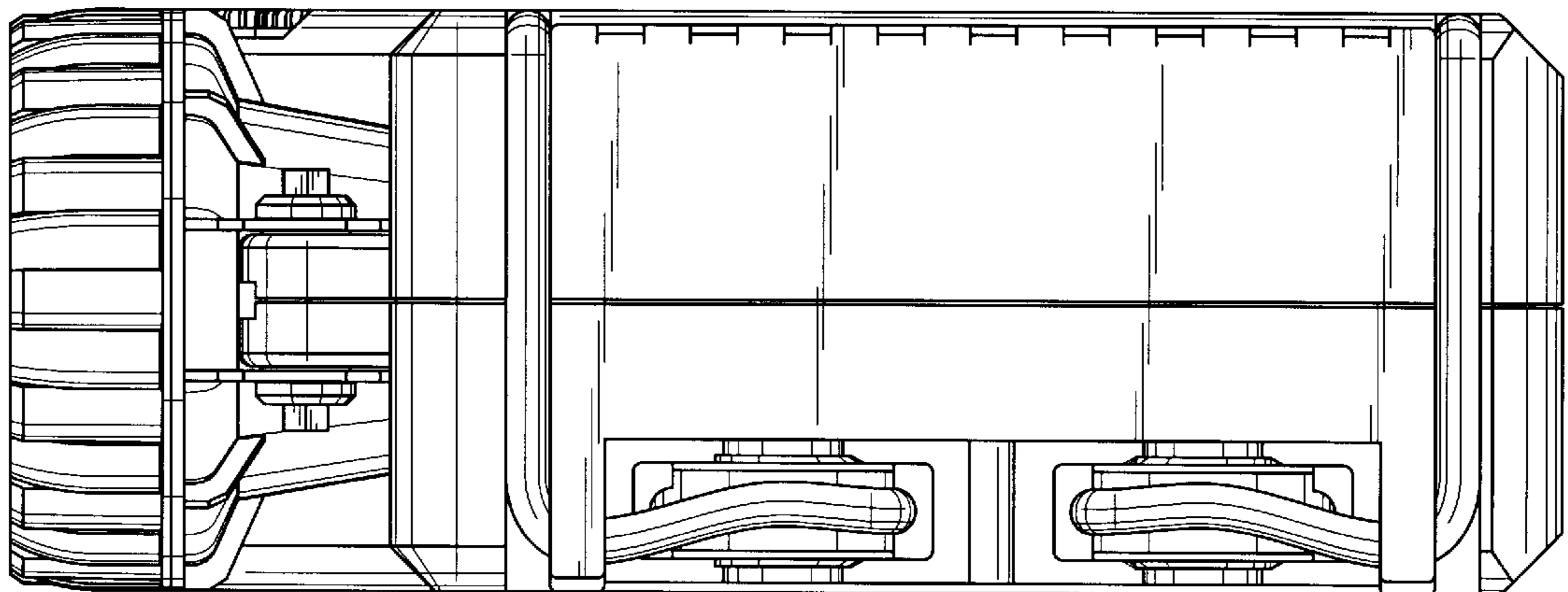


FIG. 7