



US00D474547S

(12) **United States Design Patent** (10) **Patent No.:** **US D474,547 S**
Mueller et al. (45) **Date of Patent:** **** May 13, 2003**

(54) **PARTITION TRIM**

(75) Inventors: **Karl Heinz Mueller**, E. Grand Rapids, MI (US); **Karl J. Mead**, E. Grand Rapids, MI (US); **David M. Gresham**, E. Grand Rapids, MI (US)

(73) Assignee: **Steelcase Development Corporation**, Caledonia, MI (US)

(**) Term: **14 Years**

(21) Appl. No.: **29/158,200**

(22) Filed: **Mar. 29, 2002**

(51) **LOC (7) Cl.** **25-01**

(52) **U.S. Cl.** **D25/136**

(58) **Field of Search** D25/58, 138, 136, D25/60; 52/243, 465, 800.1, 800.11, 802.1, 802.11, 716.1, 716.8, 717.01

(56) **References Cited**

U.S. PATENT DOCUMENTS

3,778,175	A	12/1973	Zimmer
3,807,102	A	4/1974	Albinson et al.
3,849,962	A	11/1974	Albinson et al.
4,035,972	A	7/1977	Timmons
4,073,113	A	2/1978	Oudot et al.
4,109,429	A	8/1978	Whisson
4,192,106	A	3/1980	Hell
4,360,240	A	11/1982	Koncelik et al.
4,366,999	A	1/1983	Koncelik et al.
4,433,630	A	2/1984	Laborie
4,560,130	A	12/1985	Schwartz
4,571,906	A	2/1986	Ashton

(List continued on next page.)

OTHER PUBLICATIONS

Exhibit A discloses a product catalog entitle "80/20 The Industrial Erector Set", published by 80/20 Inc., Columbia City, Indiana, disclosing a modular system using slotted beams for connections. ©2000.

Primary Examiner—Doris Clark

(74) *Attorney, Agent, or Firm*—Price Heneveld Cooper DeWitt & Litton

(57) **CLAIM**

We claim the ornamental design for a partition trim, as shown and described.

DESCRIPTION

FIG. 1 is a perspective view of a corner section of a partition trim embodying our design;

FIG. 2 is a side view of FIG. 1;

FIG. 3 is a front view of FIG. 1, the rear being a mirror image thereof;

FIG. 4 is a top view of FIG. 1; and

FIG. 5 is a cross section taken along the line 5—5 in FIG. 4, showing a shape of the upper surface.

FIG. 6 is a perspective view of a corner section of a second embodiment of a partition trim embodying our design;

FIG. 7 is a side view of FIG. 6;

FIG. 8 is a front view of FIG. 6, the rear being a mirror image thereof;

FIG. 9 is a top view of FIG. 6; and

FIG. 10 is a cross-section taken along the line 10—10 in FIG. 9, showing a shape of the upper surface in FIG. 6.

FIG. 11 is a perspective view of a corner section of a third embodiment of a partition trim embodying our design;

FIG. 12 is a side view of FIG. 11;

FIG. 13 is a front view of FIG. 11, the rear being a mirror image thereof;

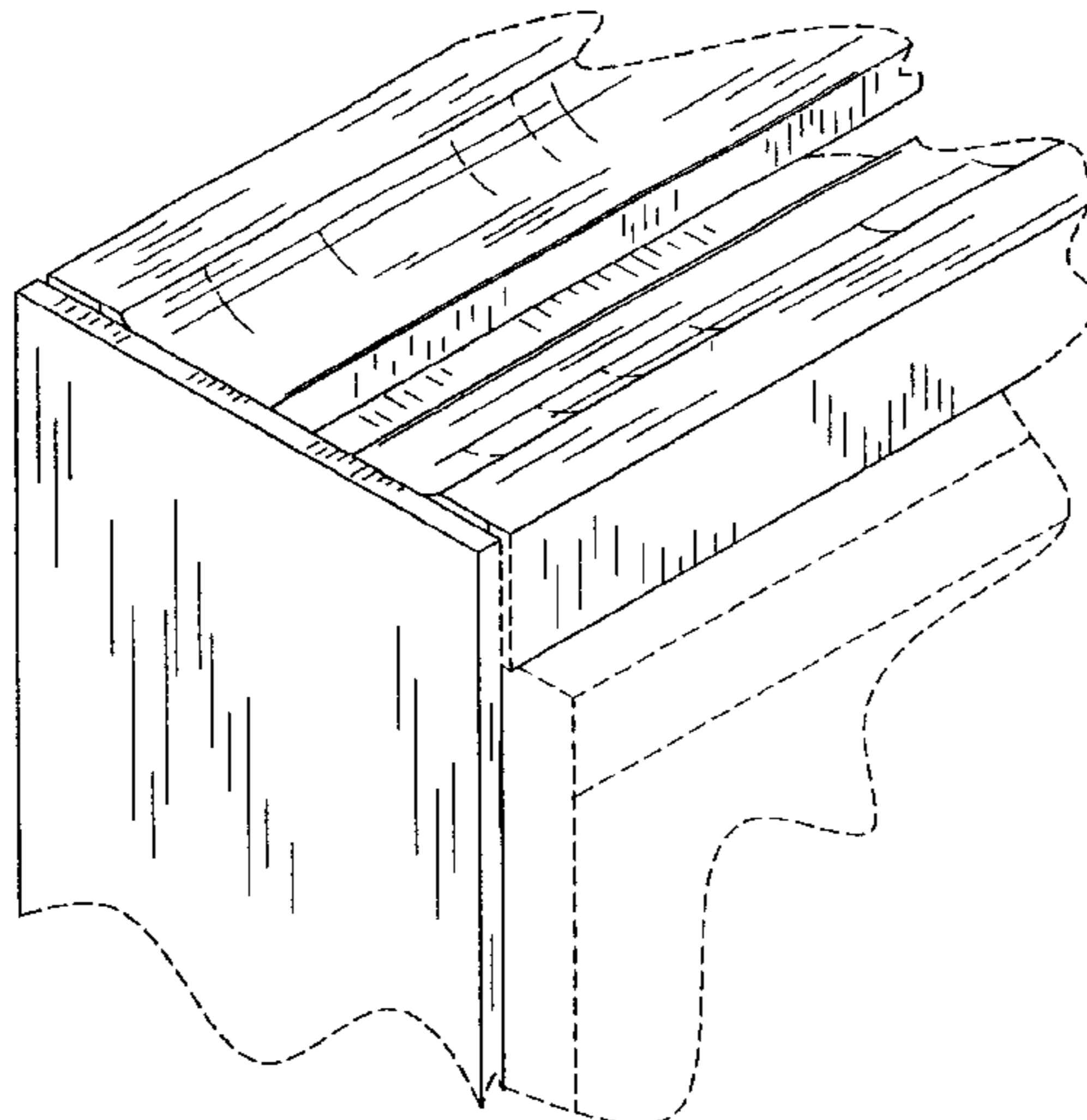
FIG. 14 is a top view of FIG. 11; and,

FIG. 15 is a cross section taken along the line 15—15 in FIG. 14, showing a shape of the upper surface.

The dashed lines and cross sections lines in FIGS. 1—15 are to show the environment and do not form a part of the present invention.

The claimed design is broken on the ends to indicate indefinite length.

1 Claim, 3 Drawing Sheets



US D474,547 S

Page 2

U.S. PATENT DOCUMENTS

4,611,448 A	9/1986	De Long	5,689,924 A	11/1997	Mason
4,677,794 A	7/1987	Parron et al.	5,737,893 A	4/1998	Rossiter et al.
4,891,922 A	1/1990	Hozer et al.	5,758,466 A	6/1998	Tucker
4,947,601 A	8/1990	McGuire	5,831,211 A	11/1998	Gartung et al.
5,056,577 A	10/1991	DeLong et al.	5,839,240 A	11/1998	Elsholz et al.
5,070,666 A	12/1991	Looman	5,875,596 A	3/1999	Muller
5,101,606 A	4/1992	Meru	5,881,518 A	3/1999	Edwards et al.
5,125,193 A	6/1992	Beaulieu	5,939,240 A	8/1999	Kobayashi
5,155,960 A	10/1992	Shaanan	5,970,675 A	10/1999	Schray
5,175,969 A	1/1993	Knauf et al.	D417,015 S	* 11/1999	Chau et al. D25/136
5,247,773 A	9/1993	Weir	6,009,675 A	1/2000	Waalkes et al.
5,274,975 A	* 1/1994	Haag 52/465	6,052,958 A	4/2000	Miedema et al.
5,277,512 A	1/1994	Dwillies	6,098,358 A	8/2000	Waalkes et al.
5,287,666 A	2/1994	Frascaroli et al.	6,167,664 B1	1/2001	Reuter et al.
5,339,576 A	8/1994	Fussler	6,223,485 B1	5/2001	Beck et al.
5,341,615 A	8/1994	Hodges et al.	6,260,324 B1	7/2001	Miedema et al.
5,347,778 A	9/1994	Bray	6,276,103 B1	8/2001	Waalkes et al.
5,377,466 A	1/1995	Insalaco et al.	6,279,278 B1	8/2001	Morris et al.
5,394,658 A	3/1995	Schreiner et al.	6,282,854 B1	9/2001	Vos et al.
5,524,394 A	6/1996	Szabo, Sr. et al.	6,295,764 B1	10/2001	Berridge et al.
5,560,169 A	10/1996	Palmer	6,314,687 B1	11/2001	Schondelmayer et al.
5,600,926 A	2/1997	Ehrlich	6,330,773 B1	12/2001	MacDonald et al.
5,638,650 A	6/1997	Edwards	6,367,213 B1	4/2002	Reuter et al.

* cited by examiner

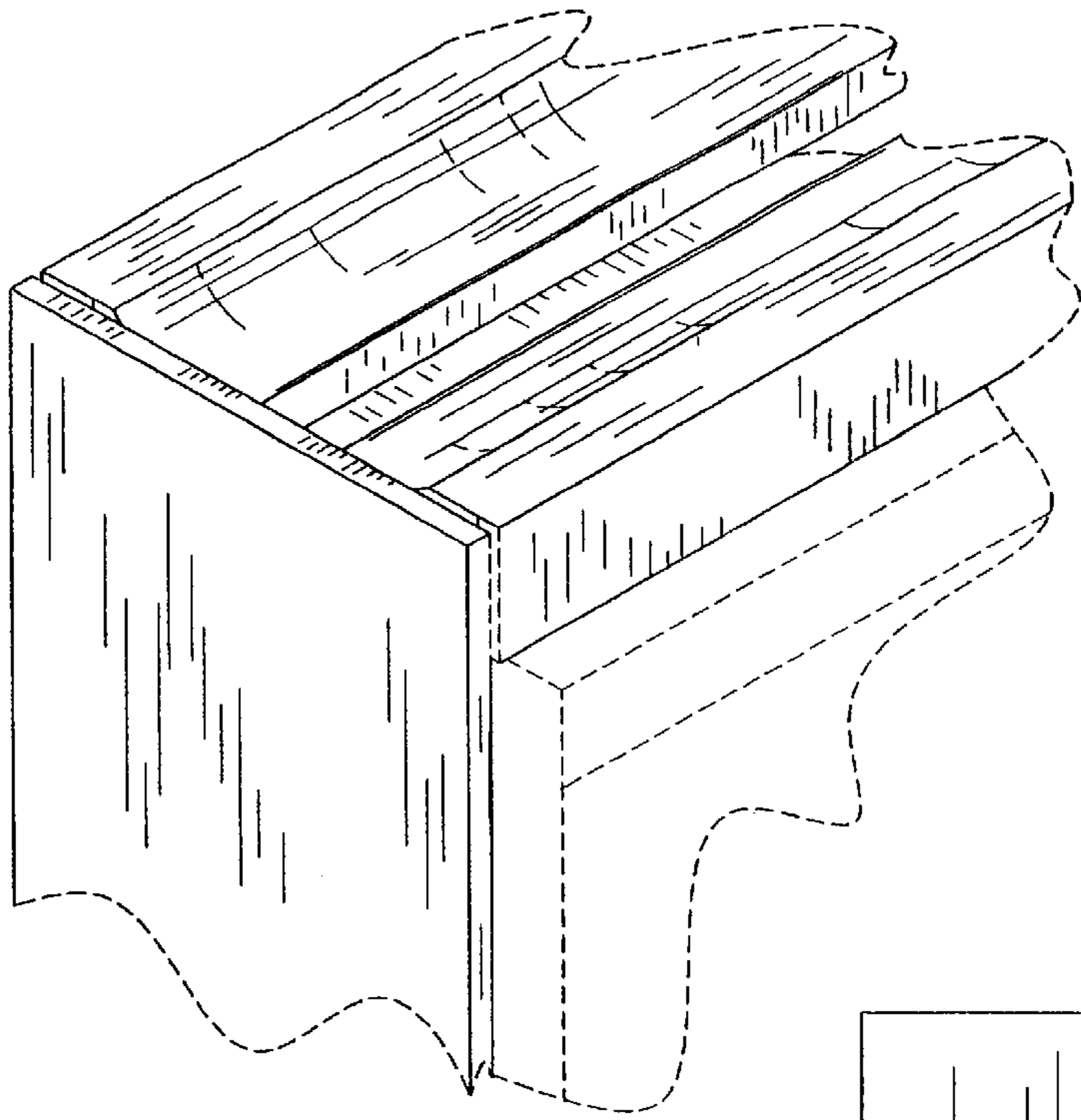


FIG. 1

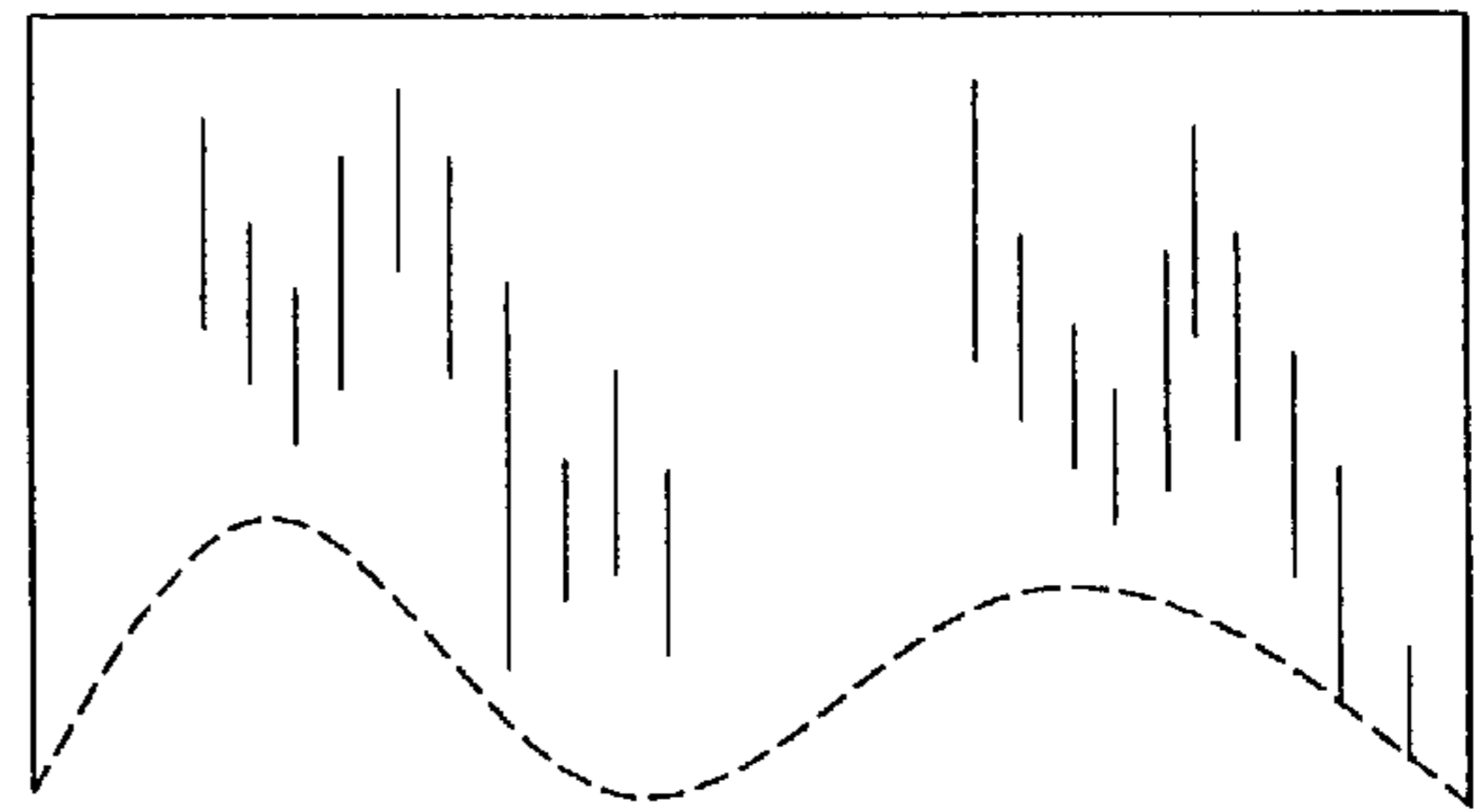


FIG. 2

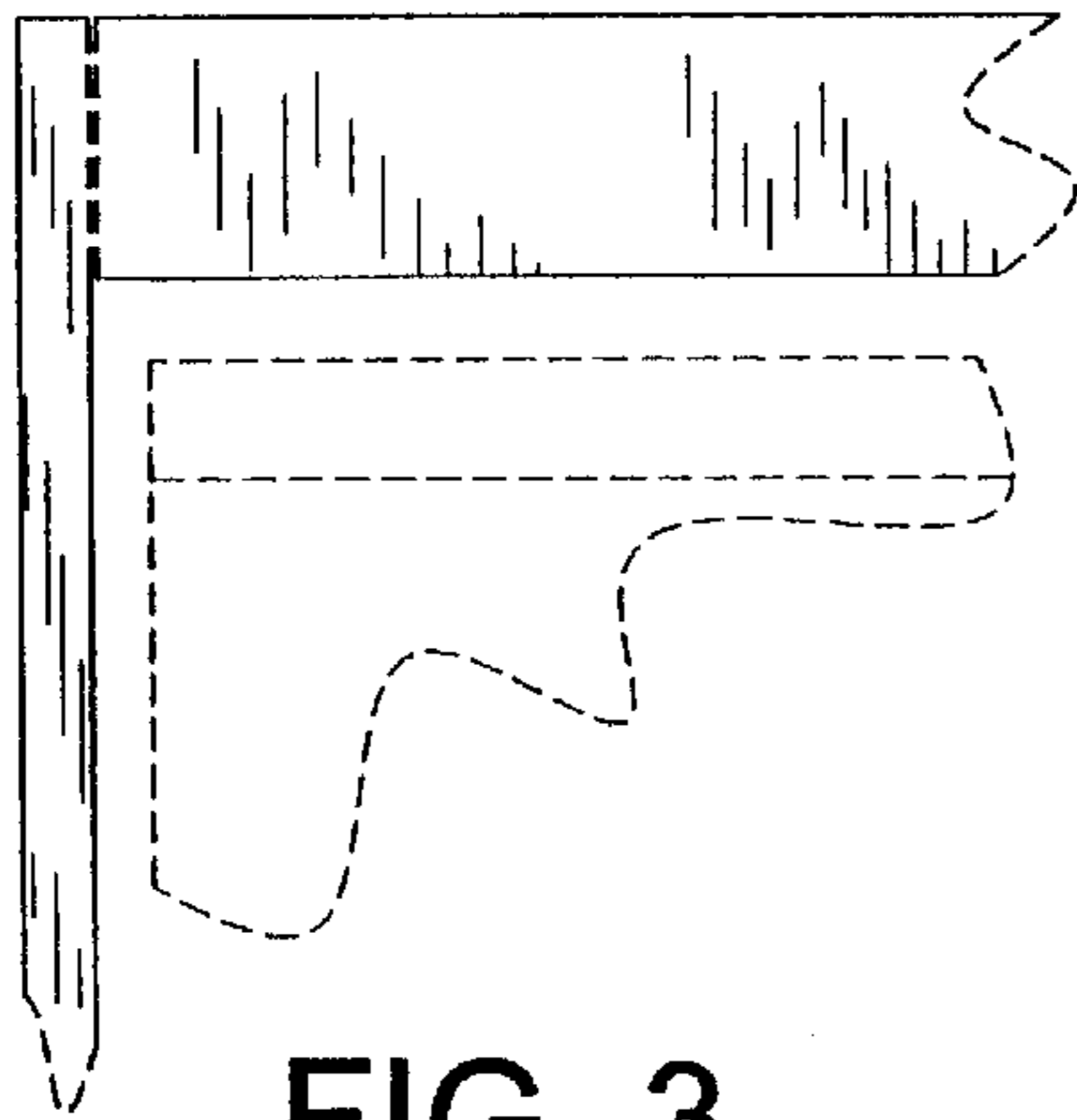


FIG. 3

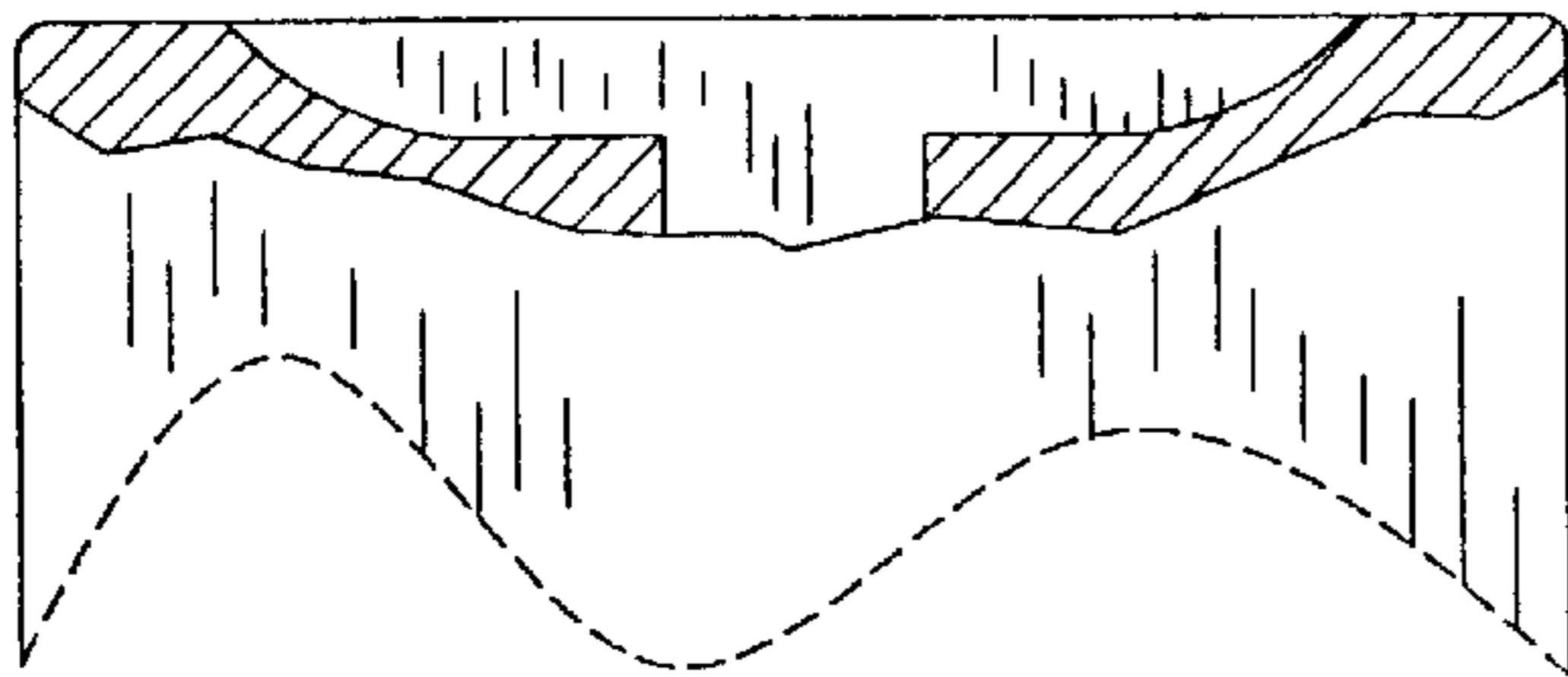
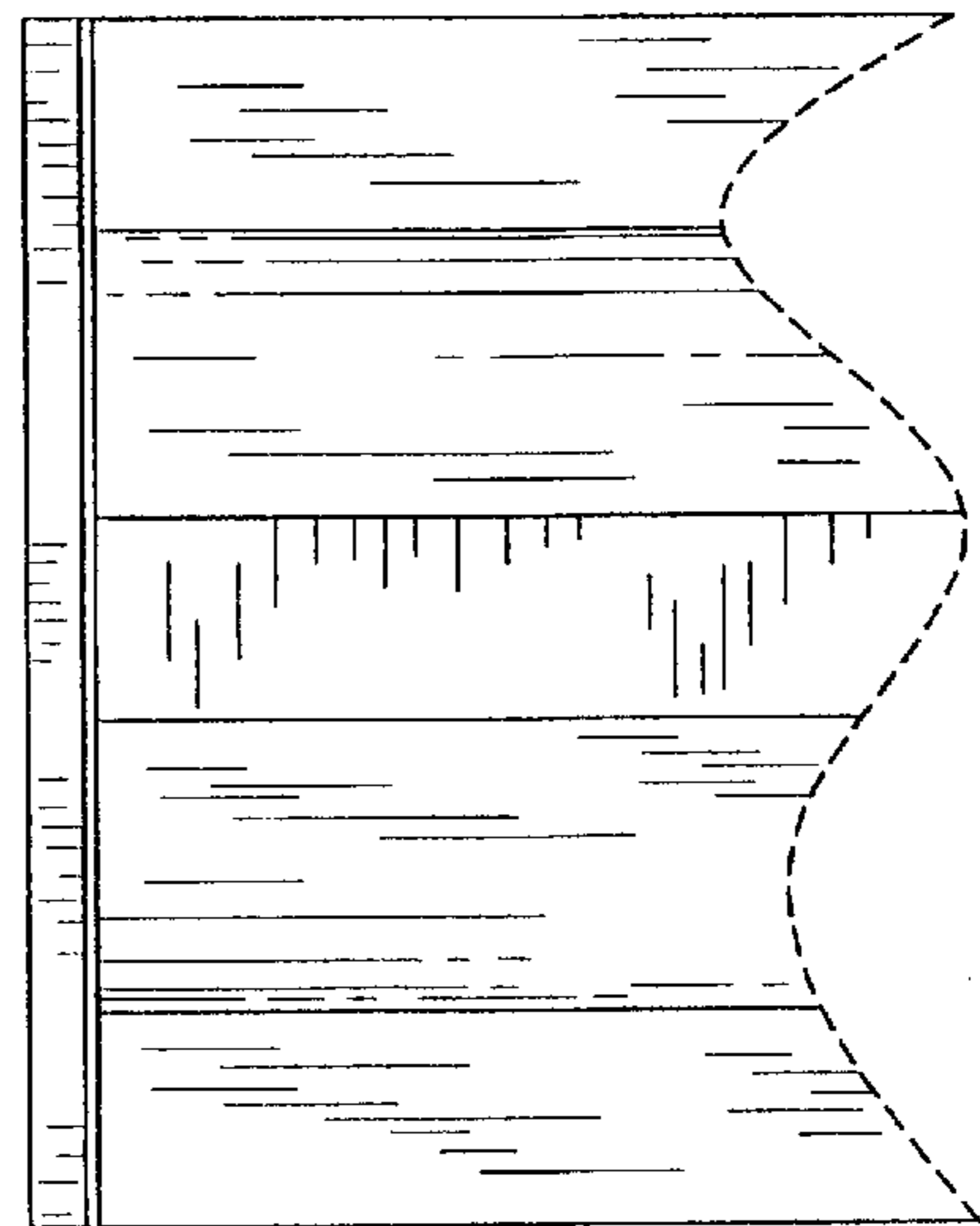


FIG. 5

5 ←



5 ←

FIG. 4

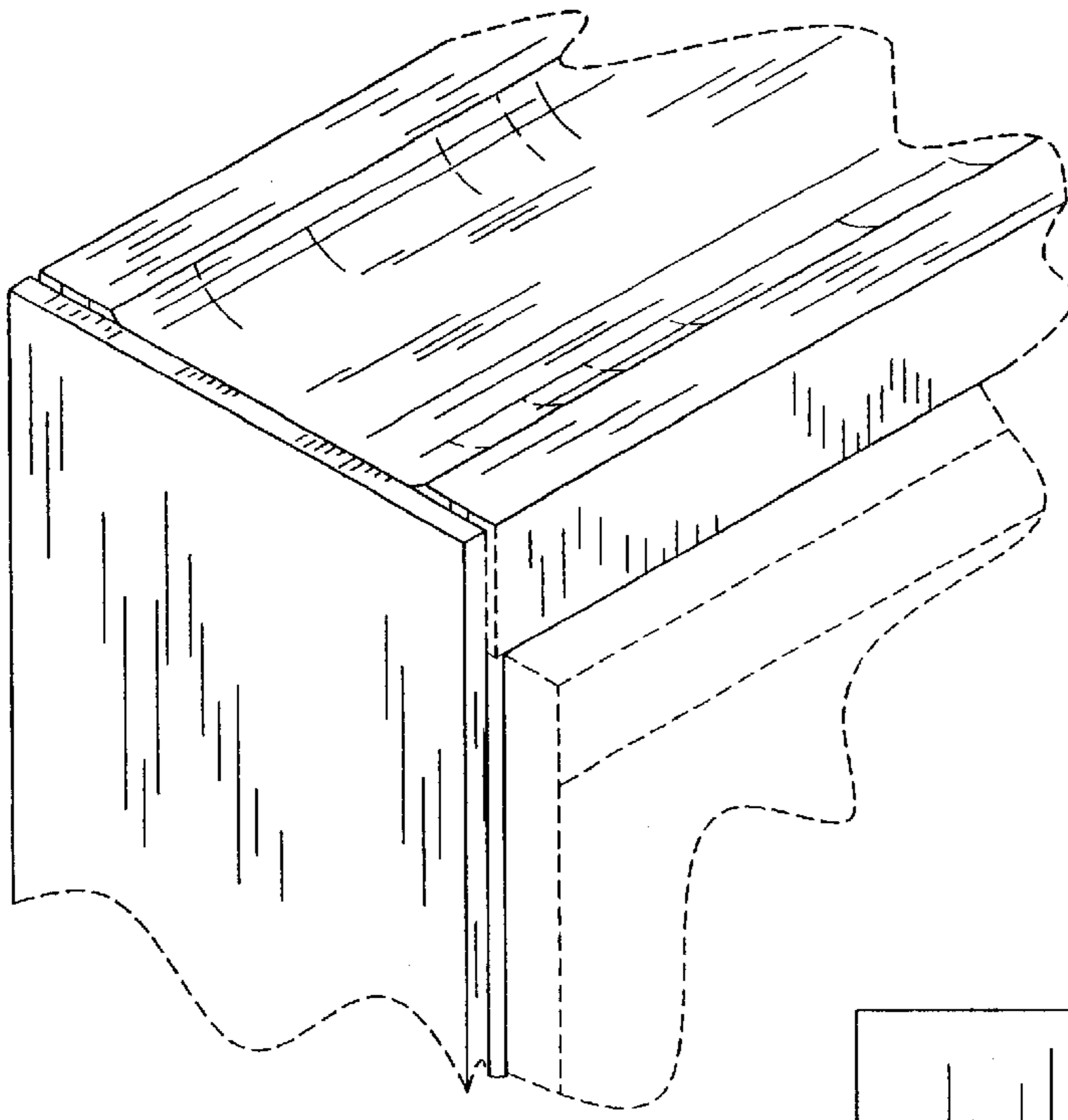


FIG. 6

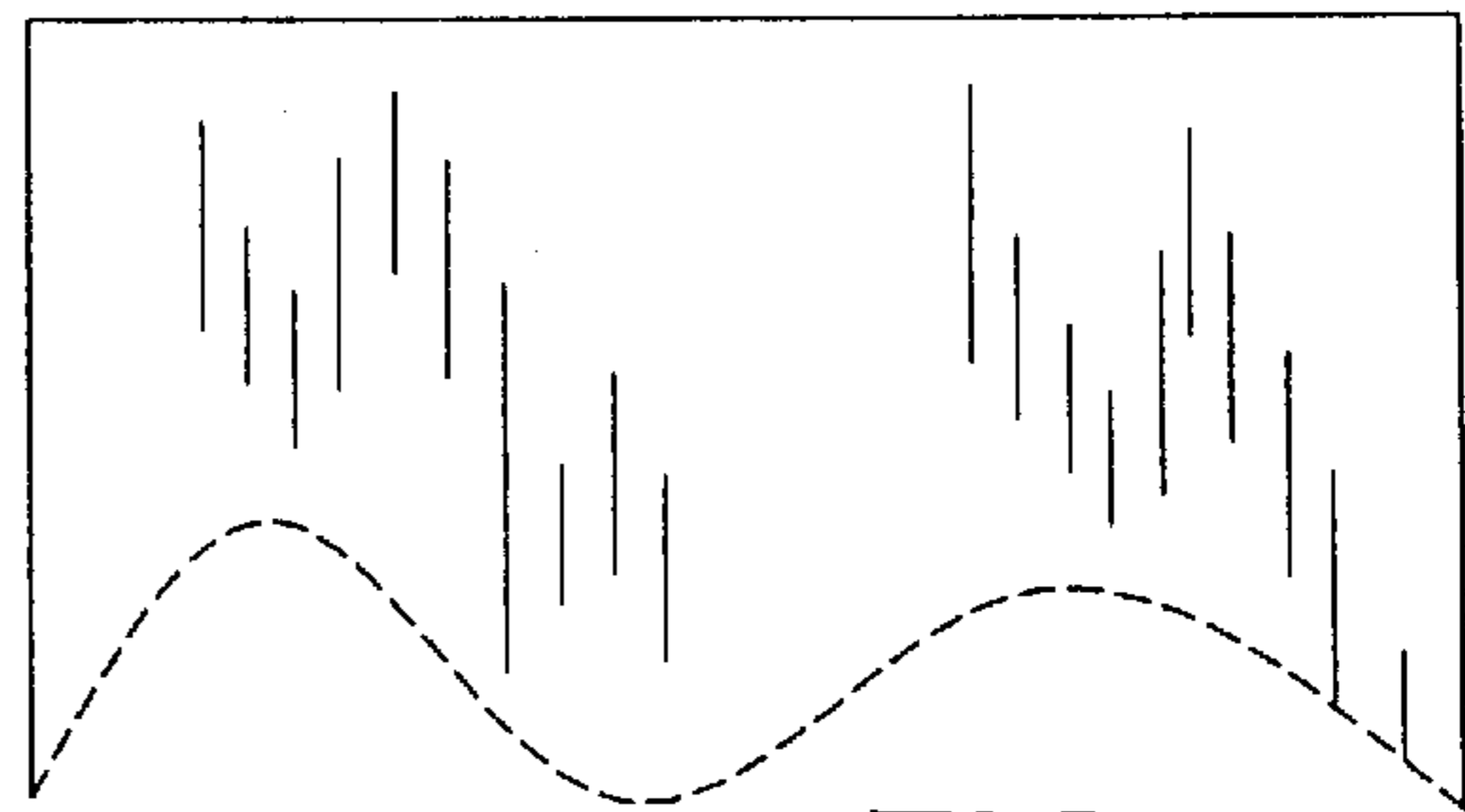


FIG. 7

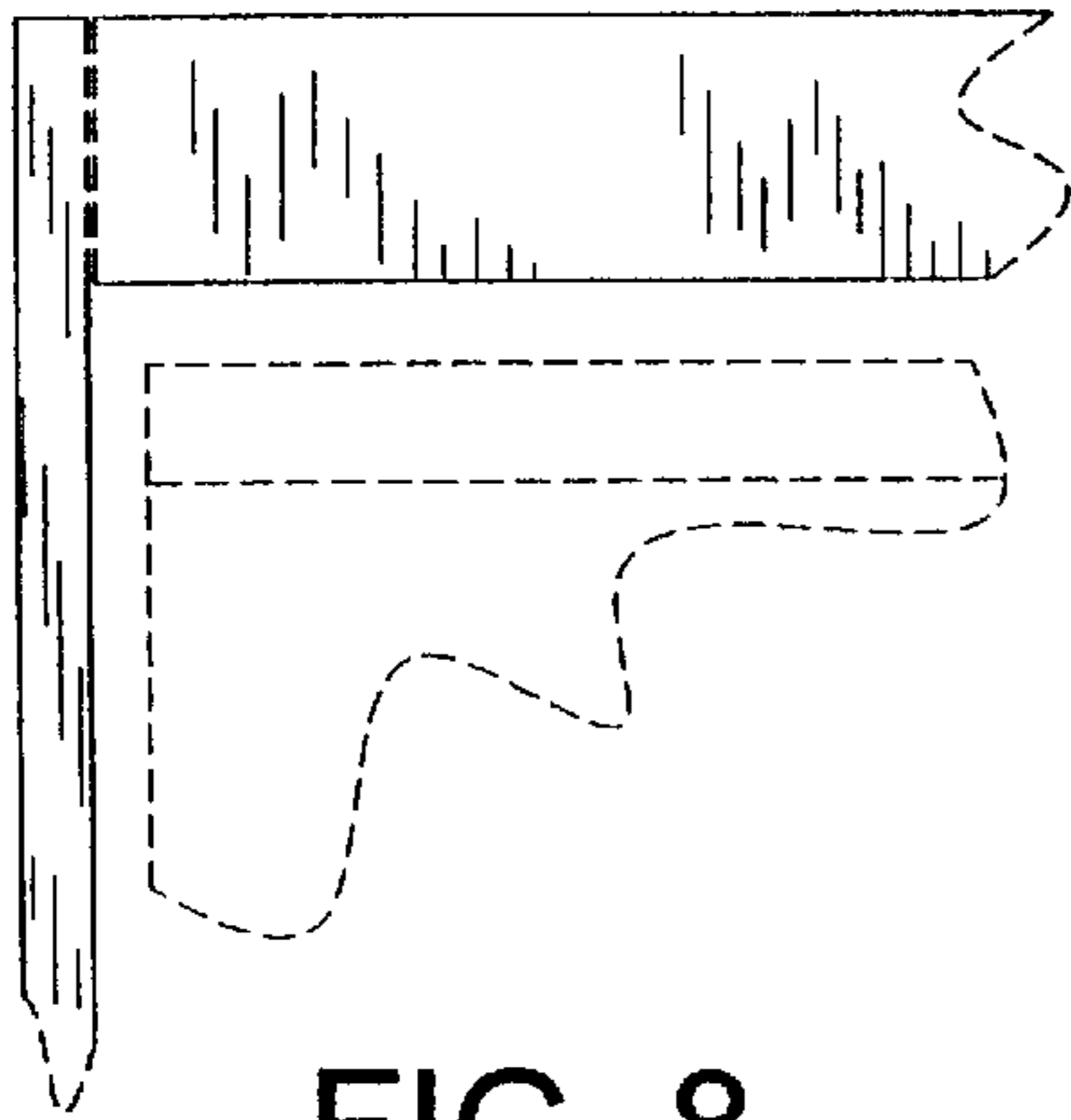


FIG. 8

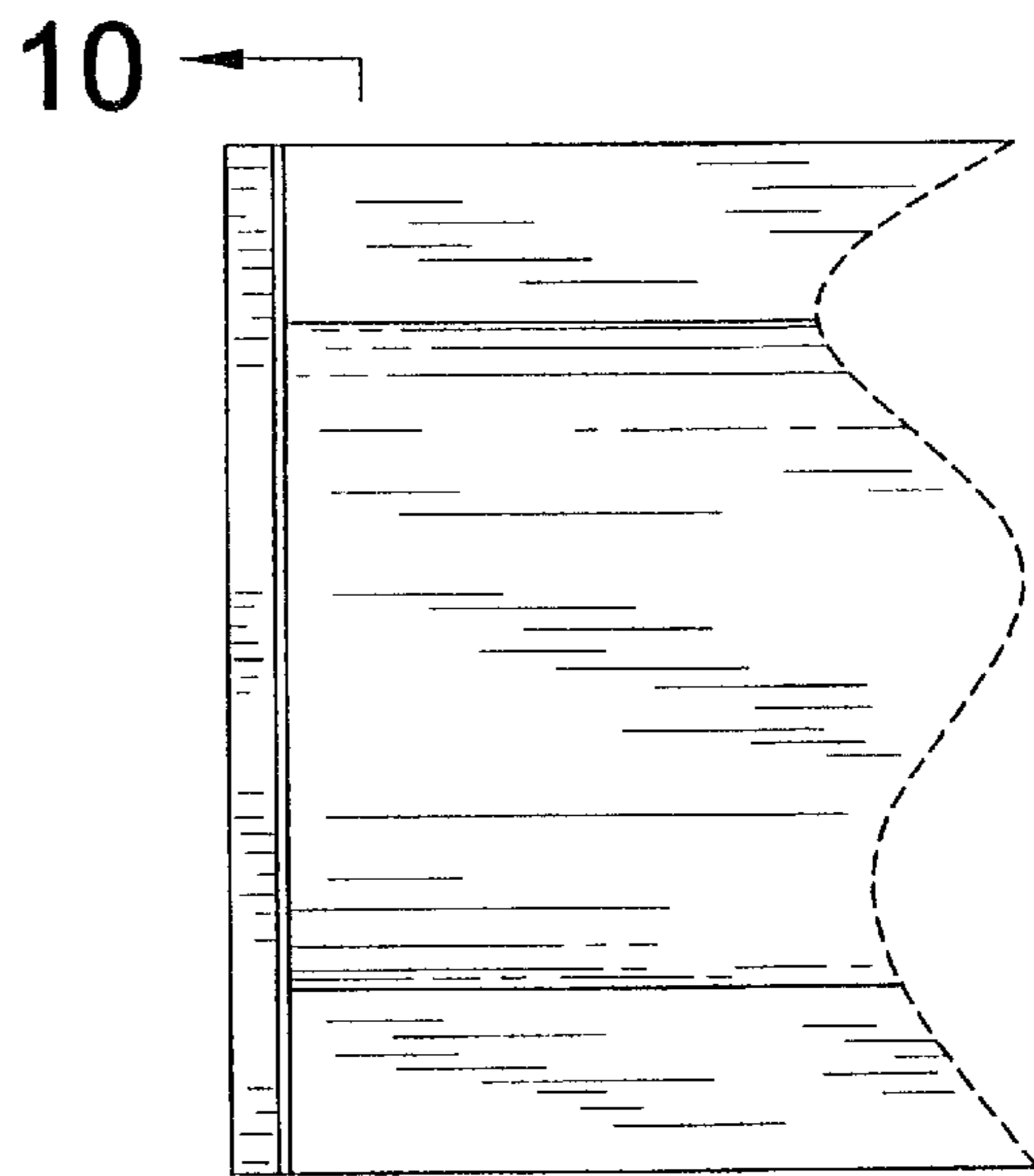


FIG. 9

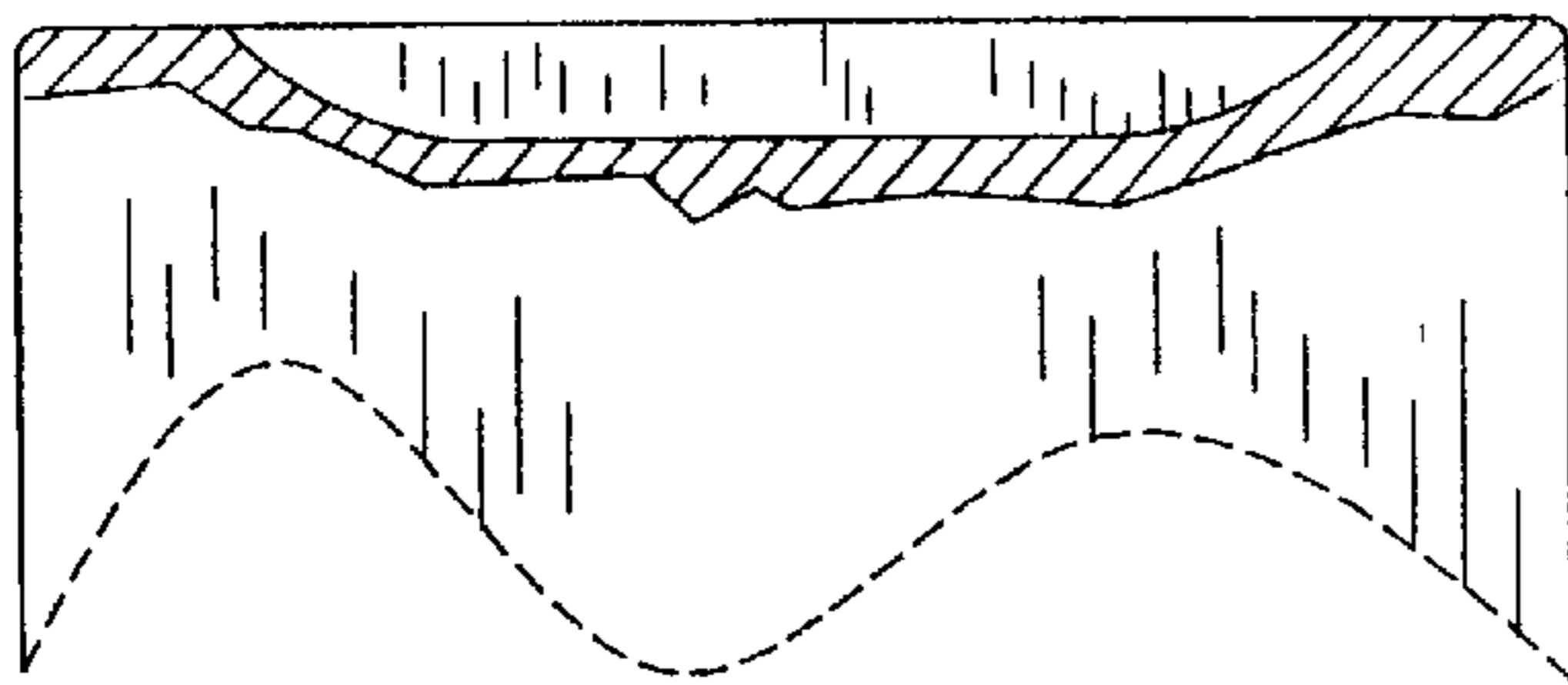


FIG. 10

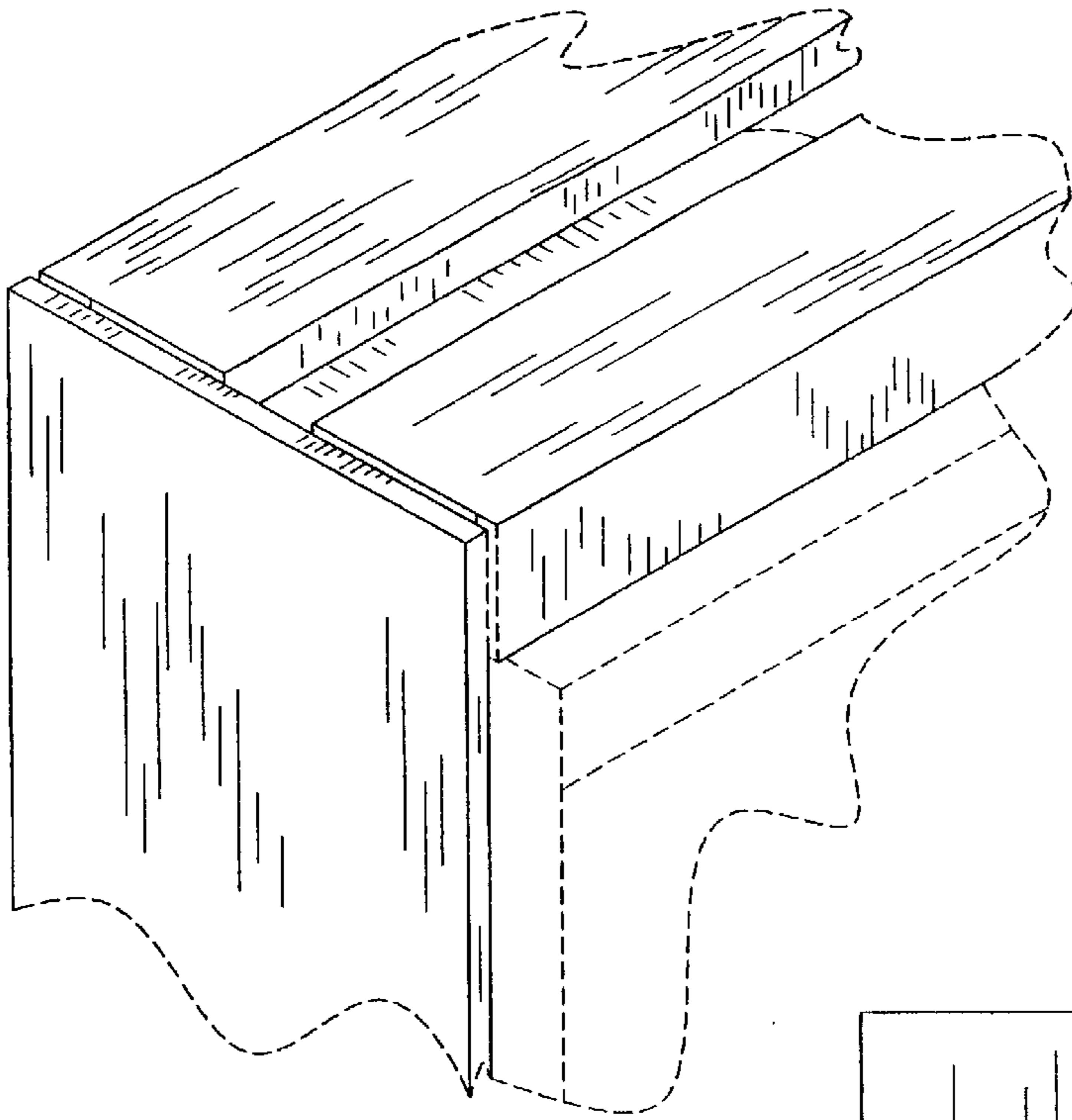


FIG. 11

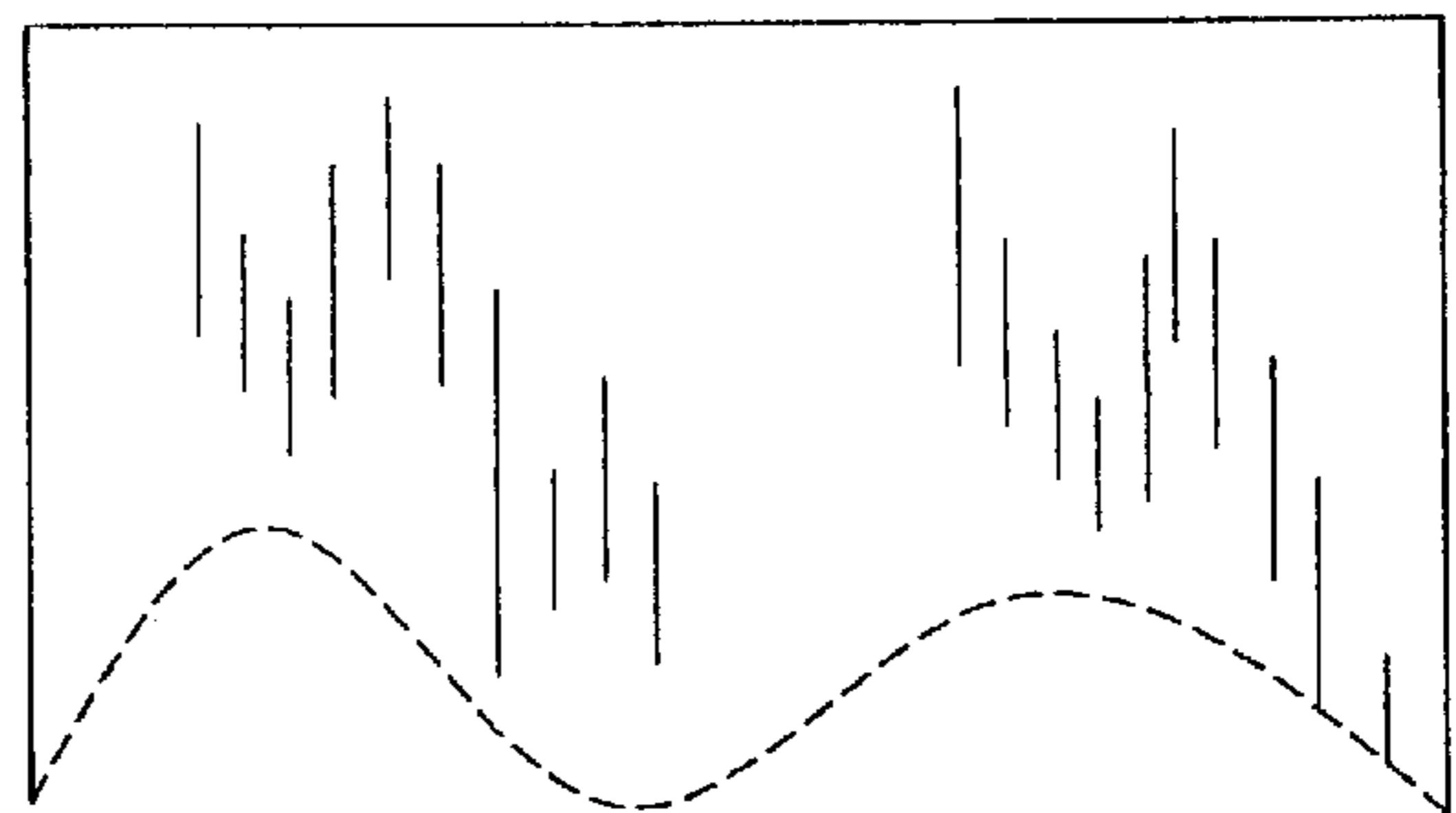


FIG. 12

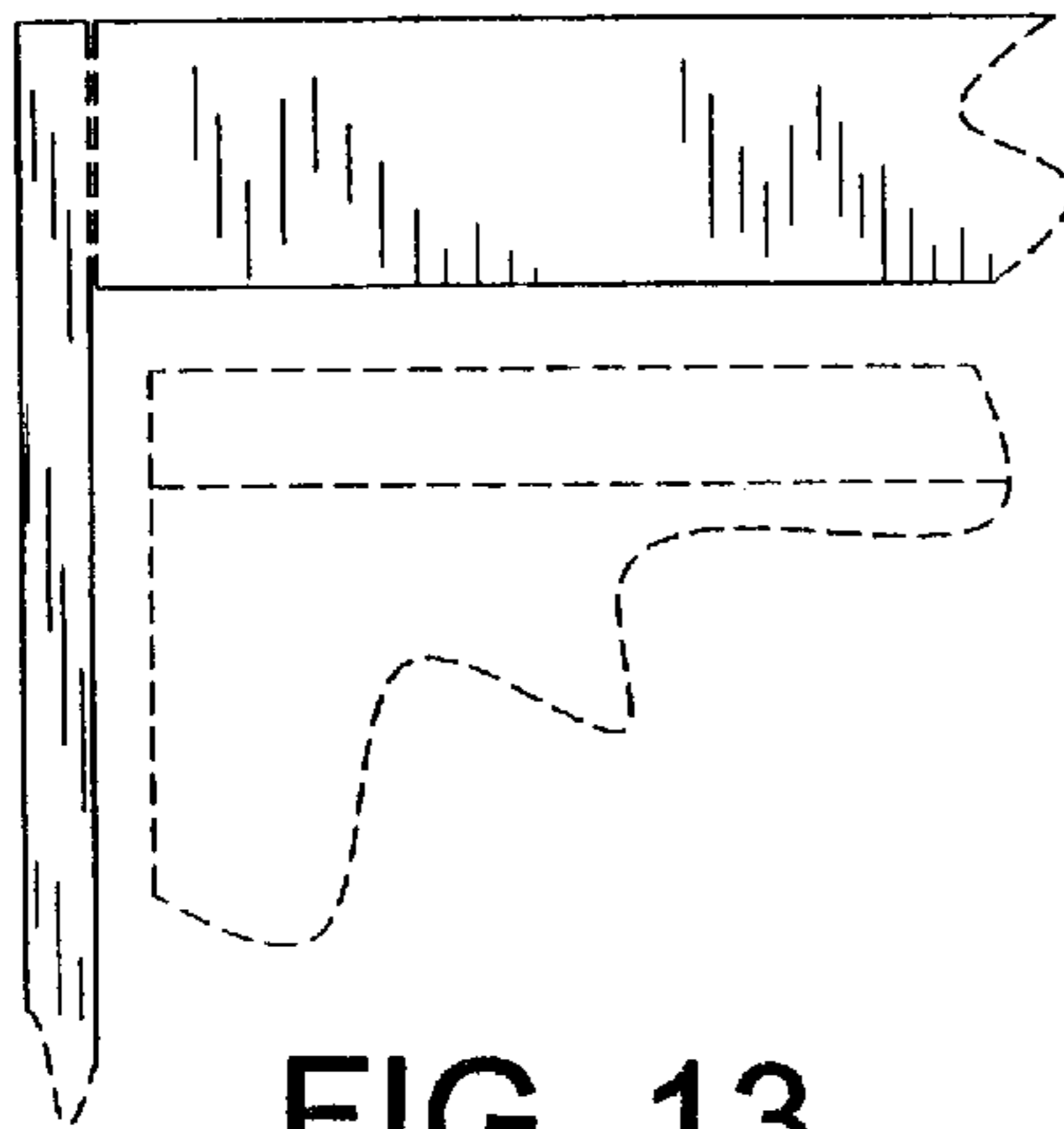


FIG. 13

15 ←

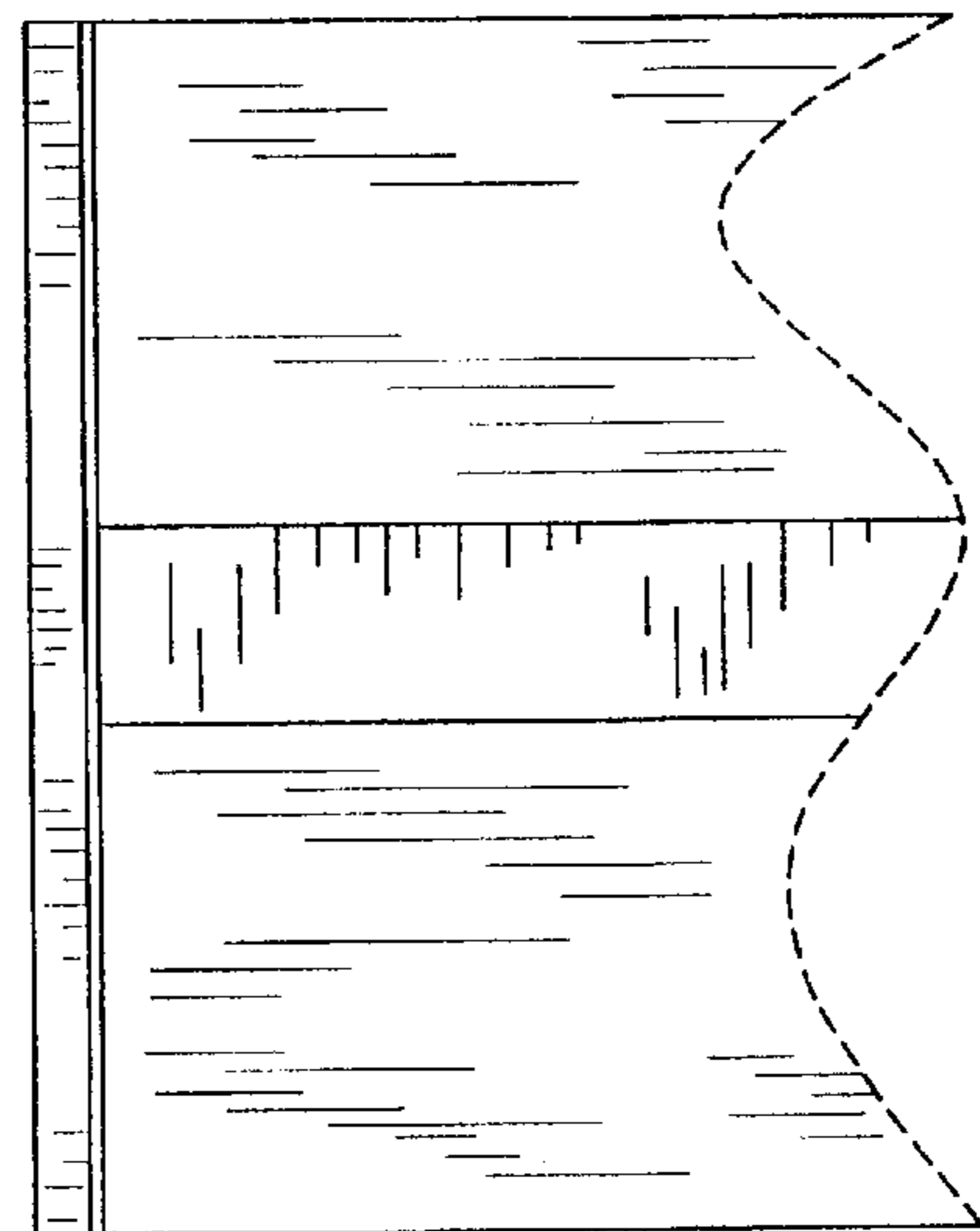


FIG. 14

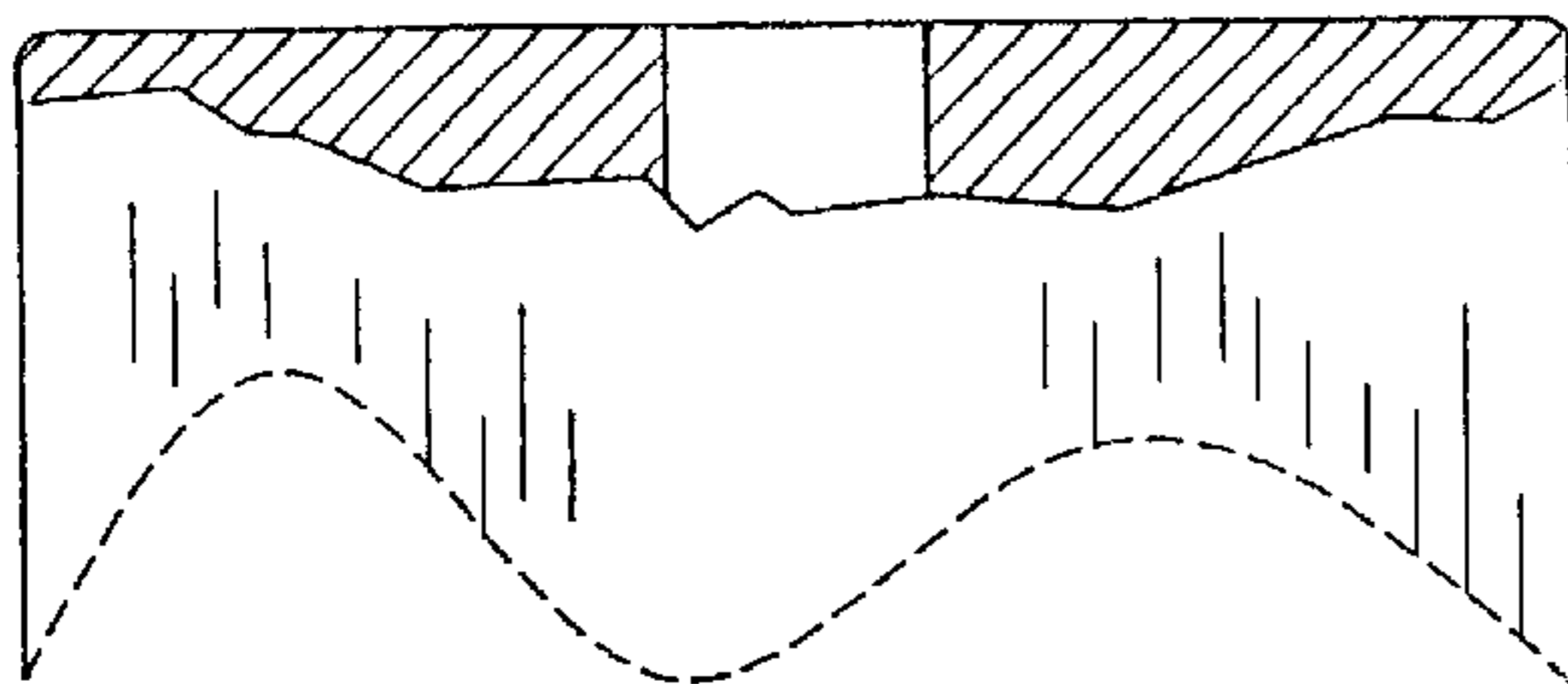


FIG. 15

15 ←