



US00D474546S

(12) **United States Design Patent**
Kohlberger

(10) **Patent No.:** **US D474,546 S**

(45) **Date of Patent:** **** May 13, 2003**

(54) **COLUMN TOP**

(76) Inventor: **Walter Kohlberger**, 347 Arvin Avenue,
Stoney Creek, Ontario (CA), L8E 2M6

(**) Term: **14 Years**

(21) Appl. No.: **29/164,715**

(22) Filed: **Jul. 31, 2002**

(51) **LOC (7) Cl.** **25-01**

(52) **U.S. Cl.** **D25/135; D25/133**

(58) **Field of Search** **D25/133, 135;**
52/296, 292, 297; 256/65.14

(56) **References Cited**

U.S. PATENT DOCUMENTS

D162,275 S * 2/1951 Youngworth D25/135
D443,937 S * 6/2001 Prokop D25/133

* cited by examiner

Primary Examiner—Doris Clark

(57) **CLAIM**

The ornamental design for a column top, as shown and described.

DESCRIPTION

FIG. 1 is a side elevational view of a first embodiment of a column top.
FIG. 2 is a top plan view of the column top showing my new design.

FIG. 3 is a bottom plan view thereof.
FIG. 4 is a top perspective view of the column top shown in FIGS. 1 to 3.
FIG. 5 is a bottom perspective view of the column top shown in FIGS. 1 to 3.
FIG. 6 is a cross sectional view taken along line 6—6 shown in FIG. 2.
FIG. 7 is a side elevational view of a second embodiment of a column top.
FIG. 8 is a top plan view of the column top showing my new design.
FIG. 9 is a bottom plan view thereof.
FIG. 10 is a top perspective view of the column top shown in FIGS. 7 to 9.
FIG. 11 is a bottom perspective view of the column top shown in FIGS. 7 to 9.
FIG. 12 is a cross sectional view taken along line 12—12 shown in FIG. 8.
FIG. 13 is a side elevational view of a third embodiment of a column top.
FIG. 14 is a top plan view of the column top showing my new design.
FIG. 15 is a bottom plan view thereof.
FIG. 16 is a top perspective view of the column top shown in FIGS. 13 to 15.
FIG. 17 is a bottom perspective view of the column top shown in FIGS. 13 to 15; and,
FIG. 18 is a cross sectional view taken along line 18—18 shown in FIG. 14.

1 Claim, 6 Drawing Sheets

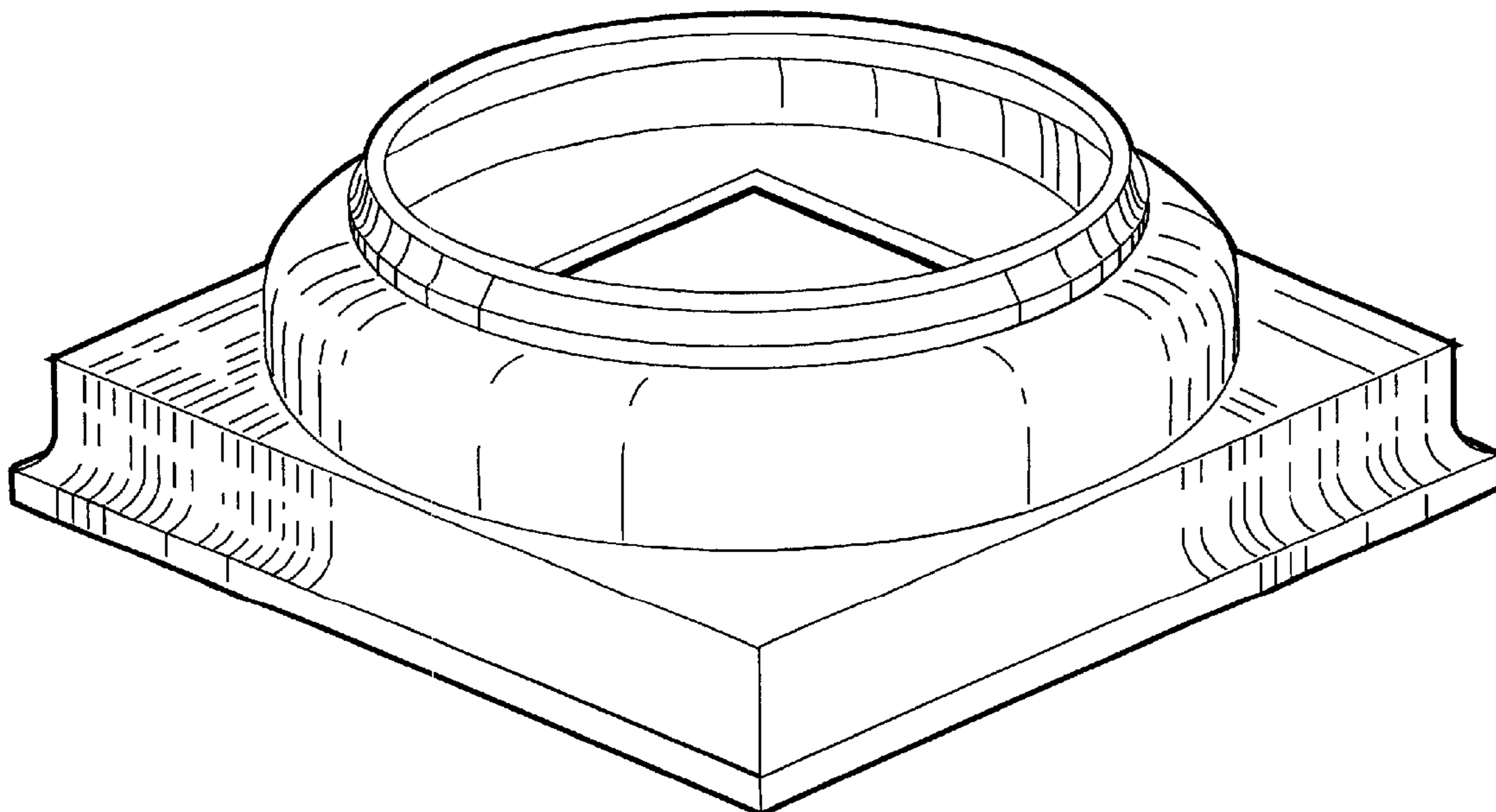


FIG. 1

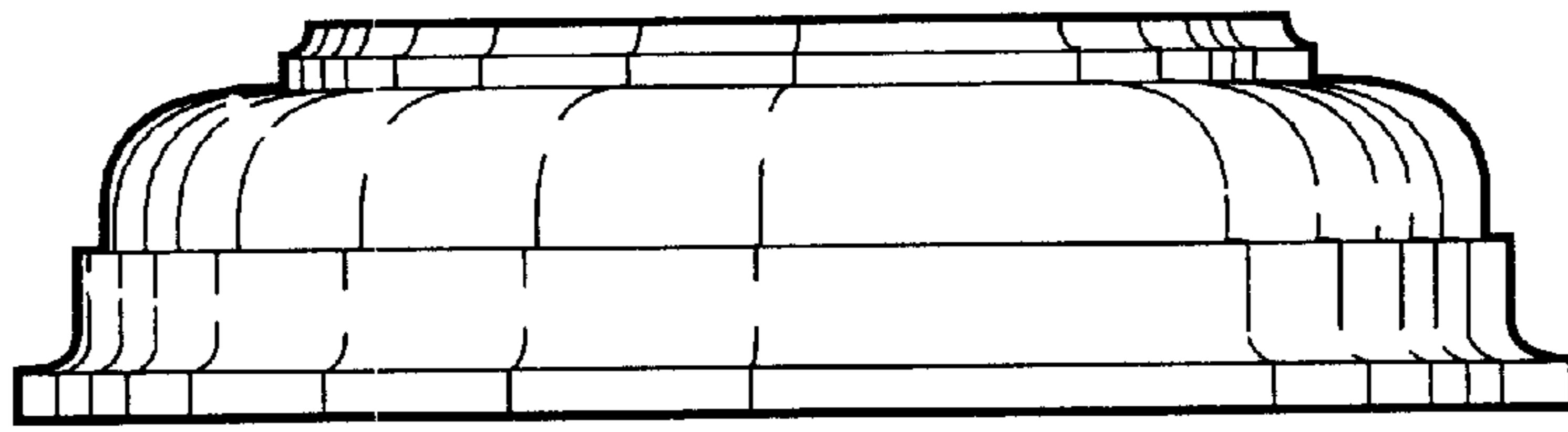


FIG. 2

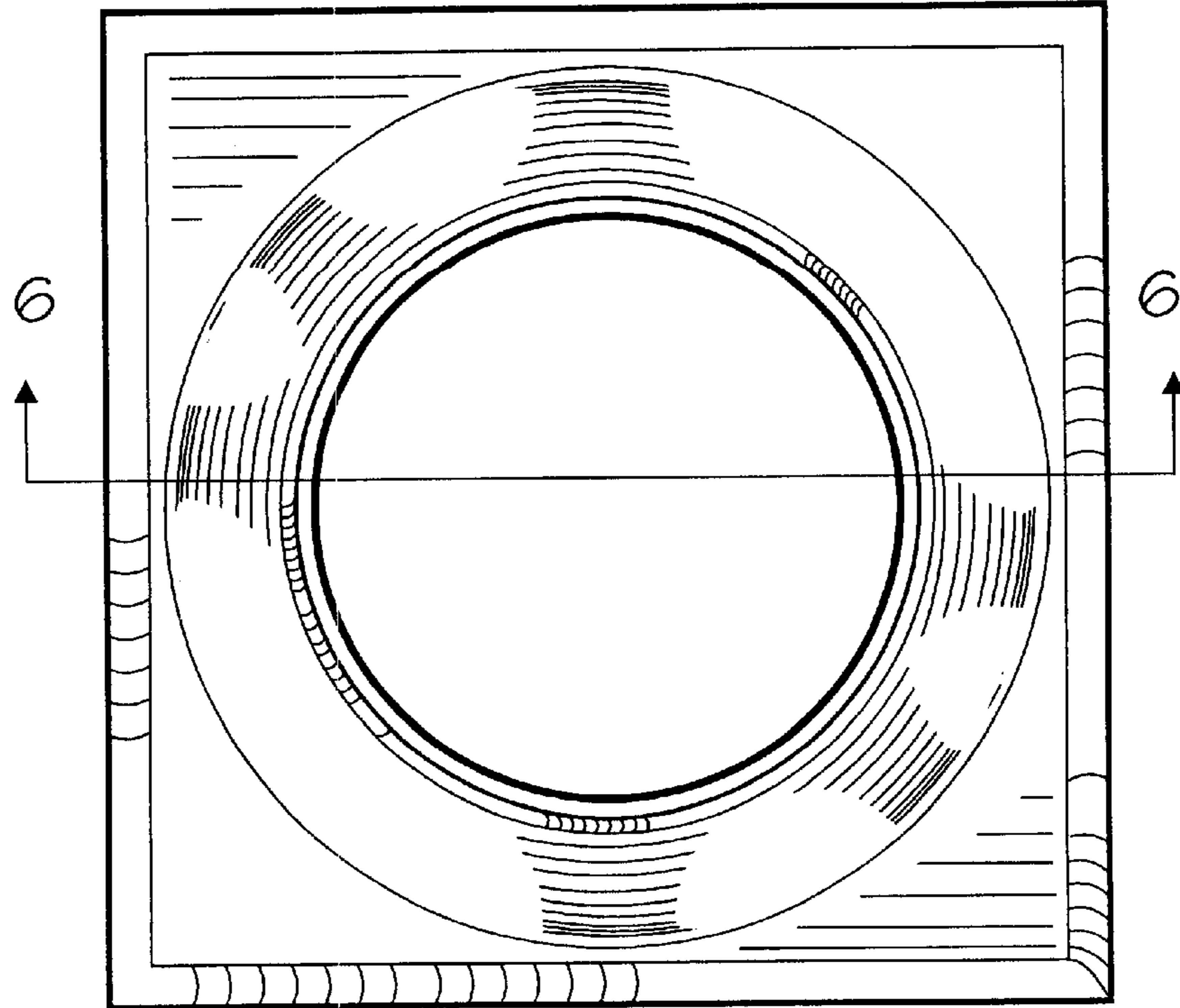


FIG. 3

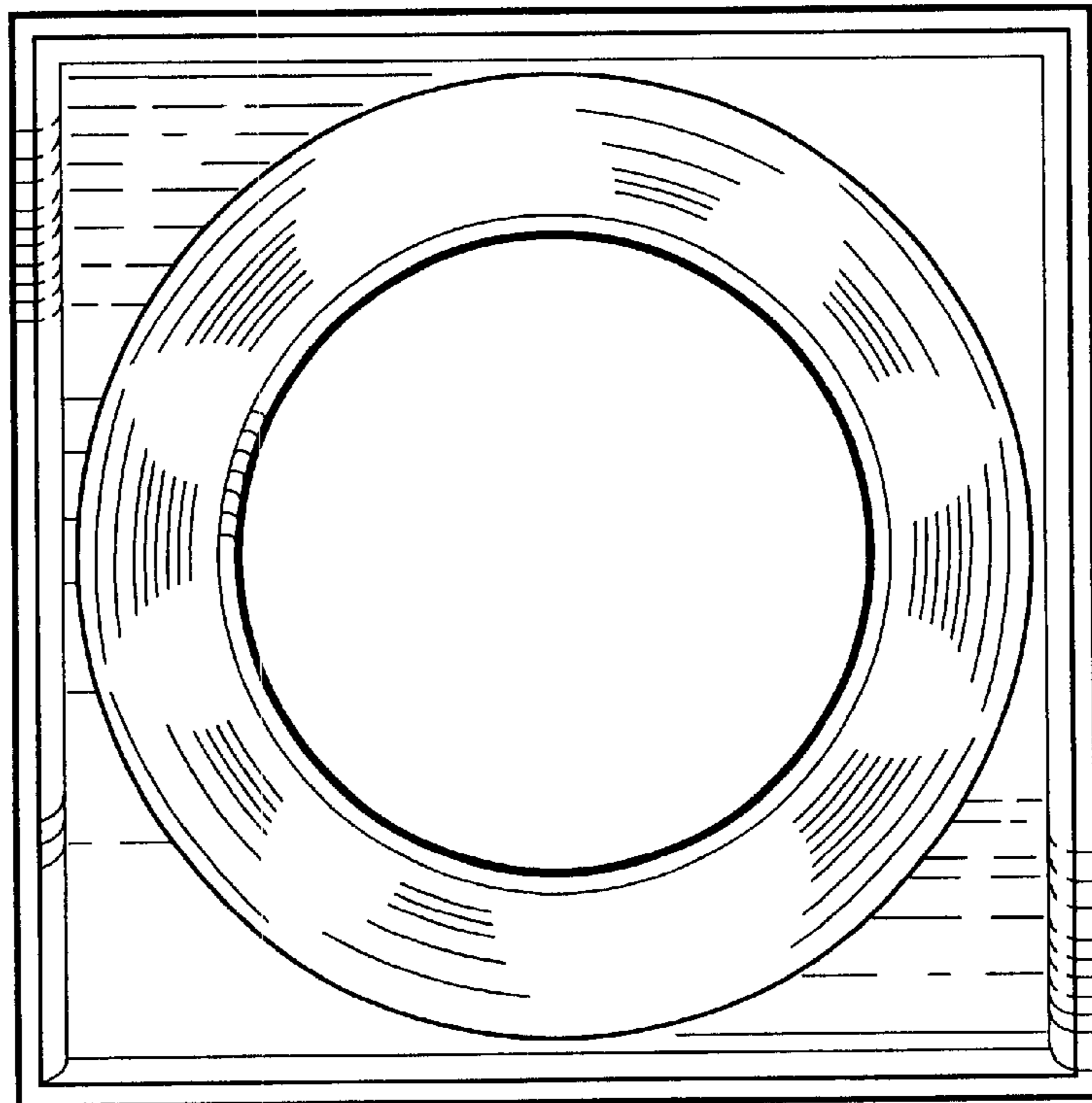


FIG. 4

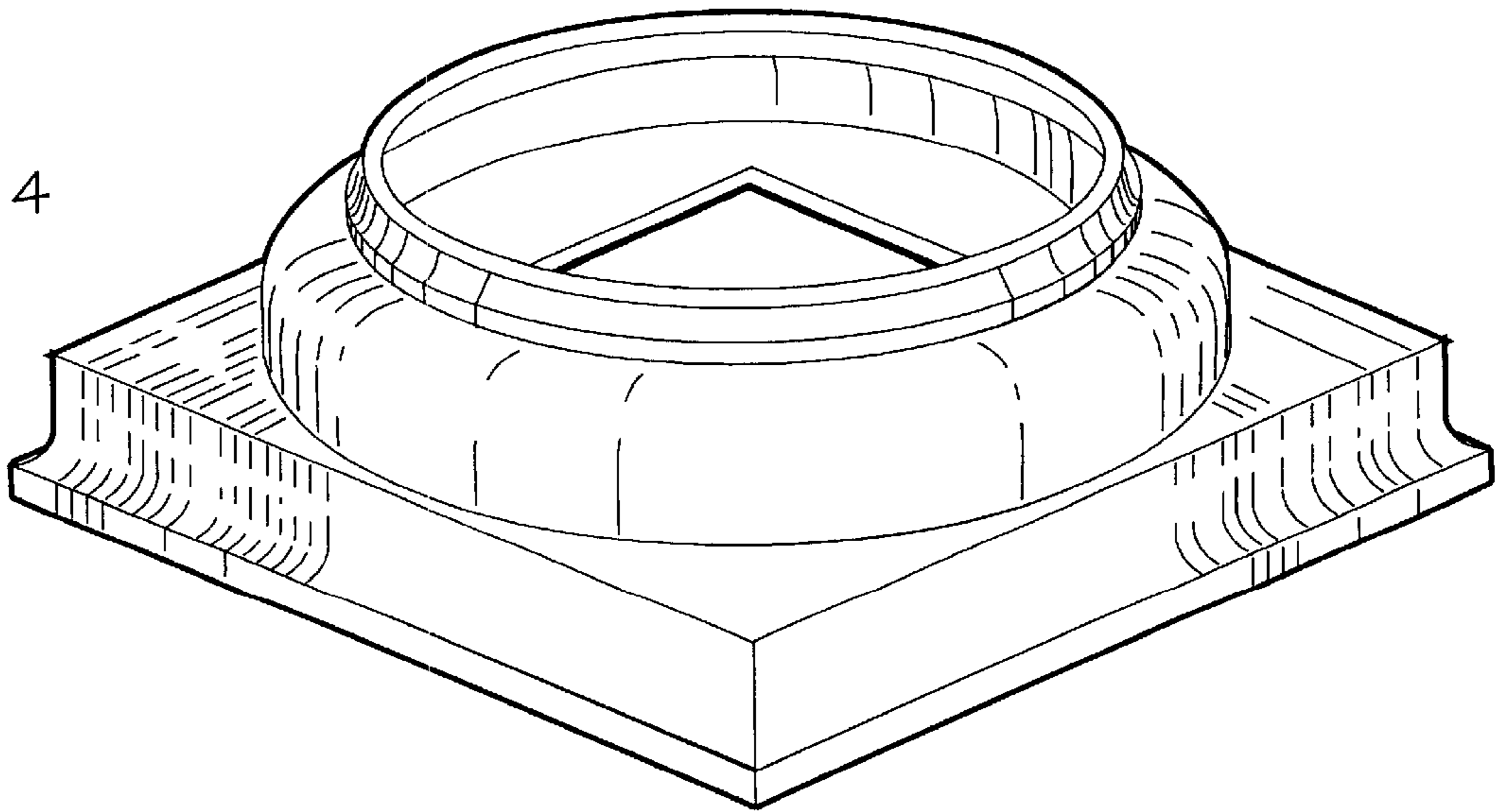


FIG. 5

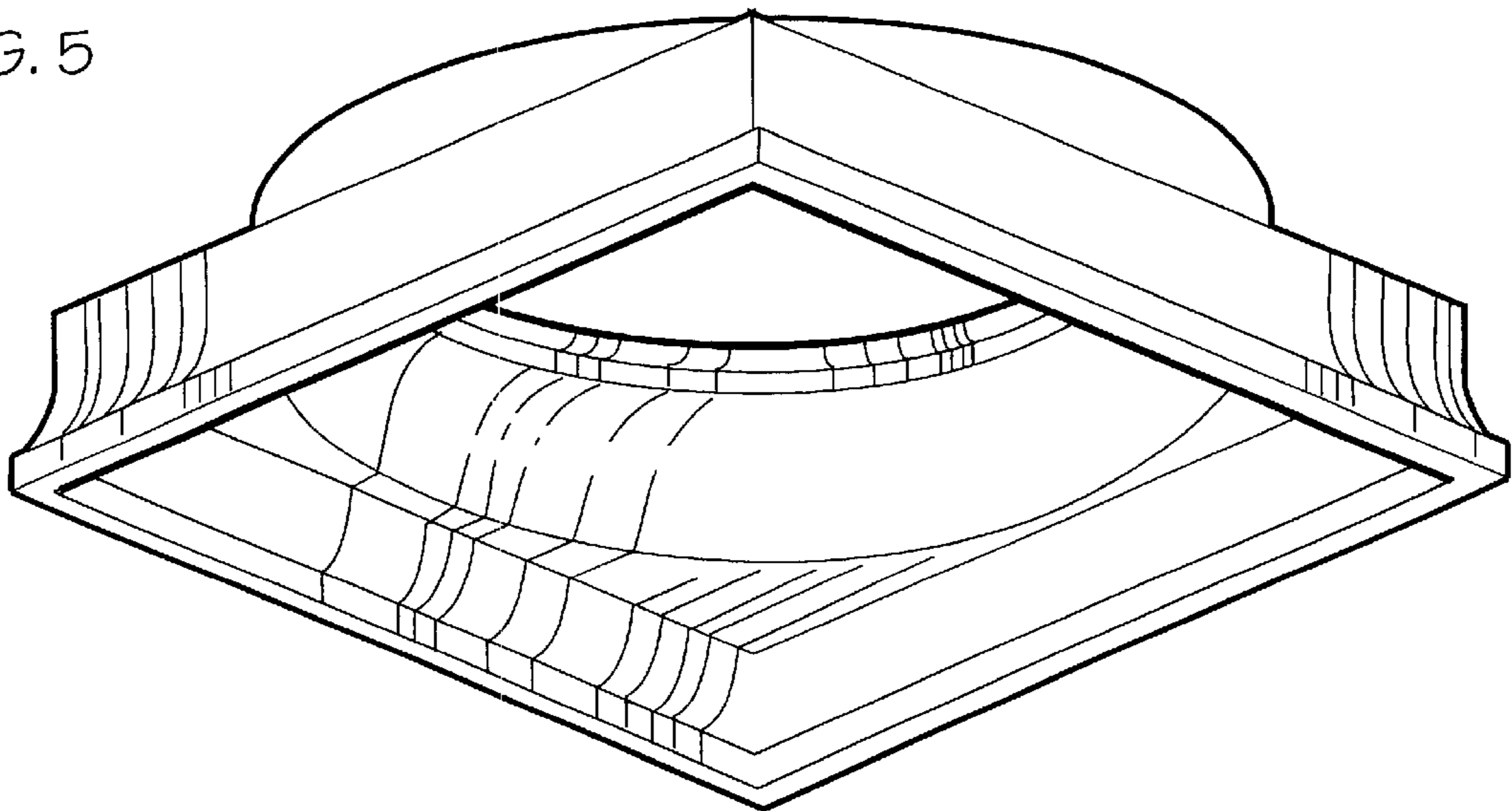


FIG. 6

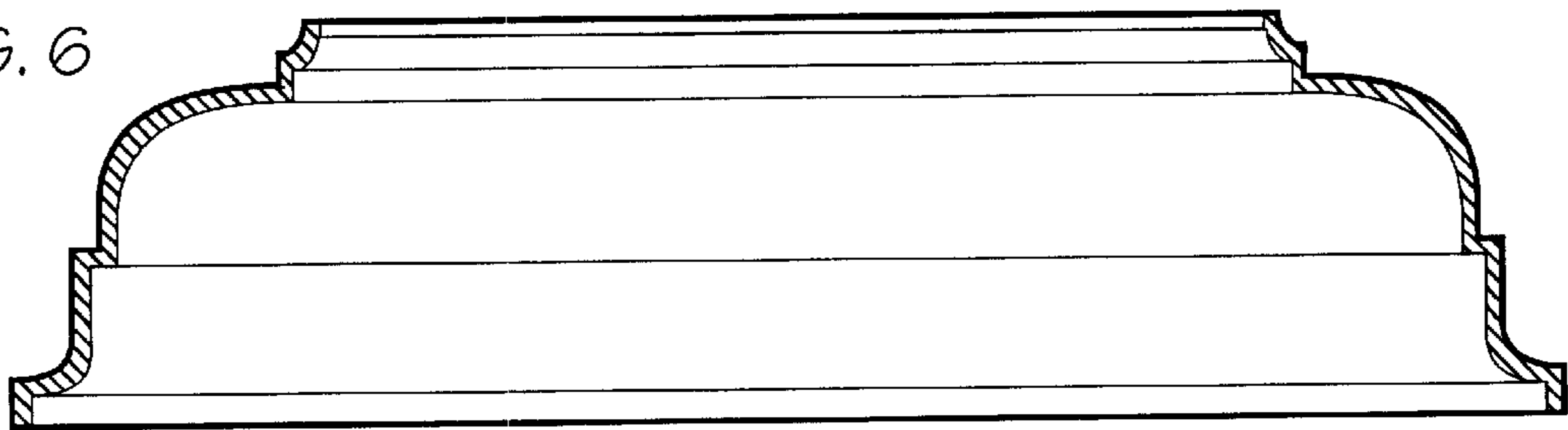


FIG. 7

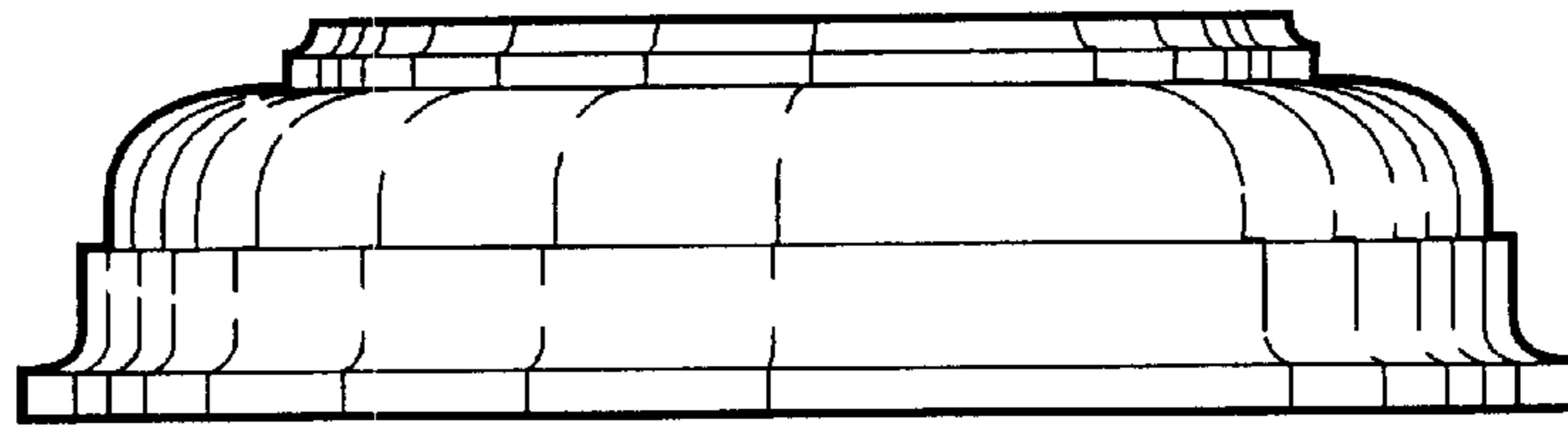


FIG. 8

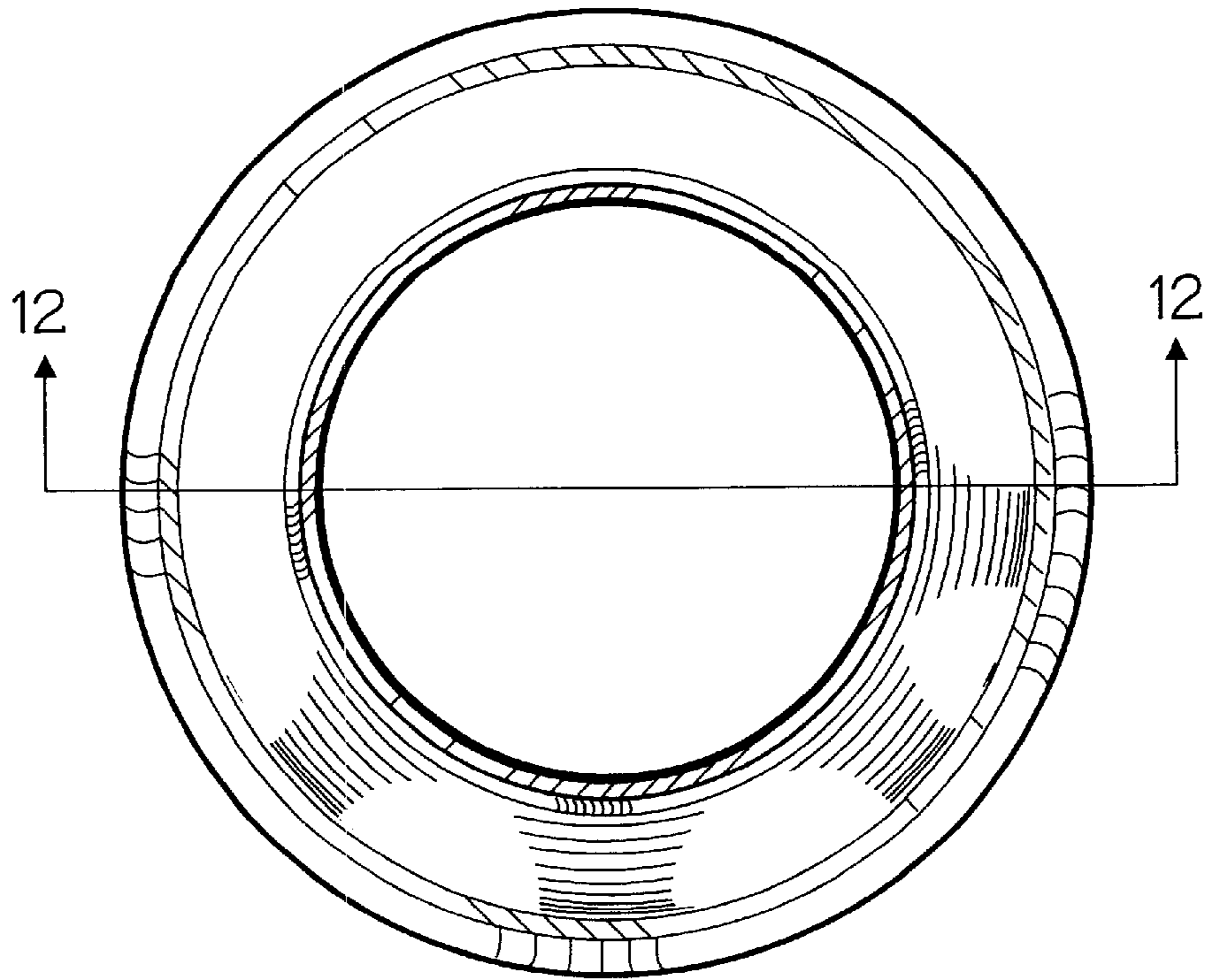


FIG. 9

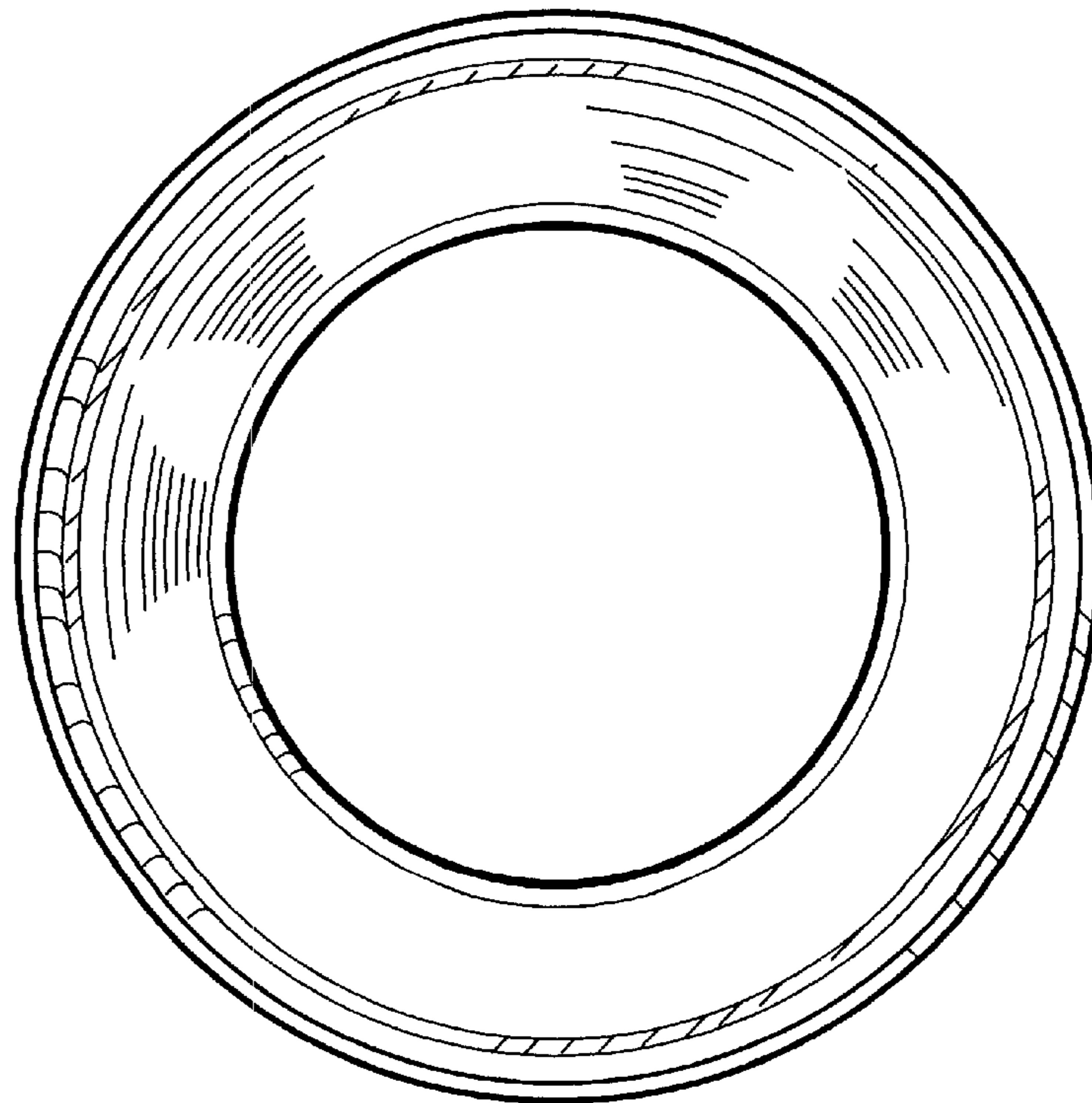


FIG. 10

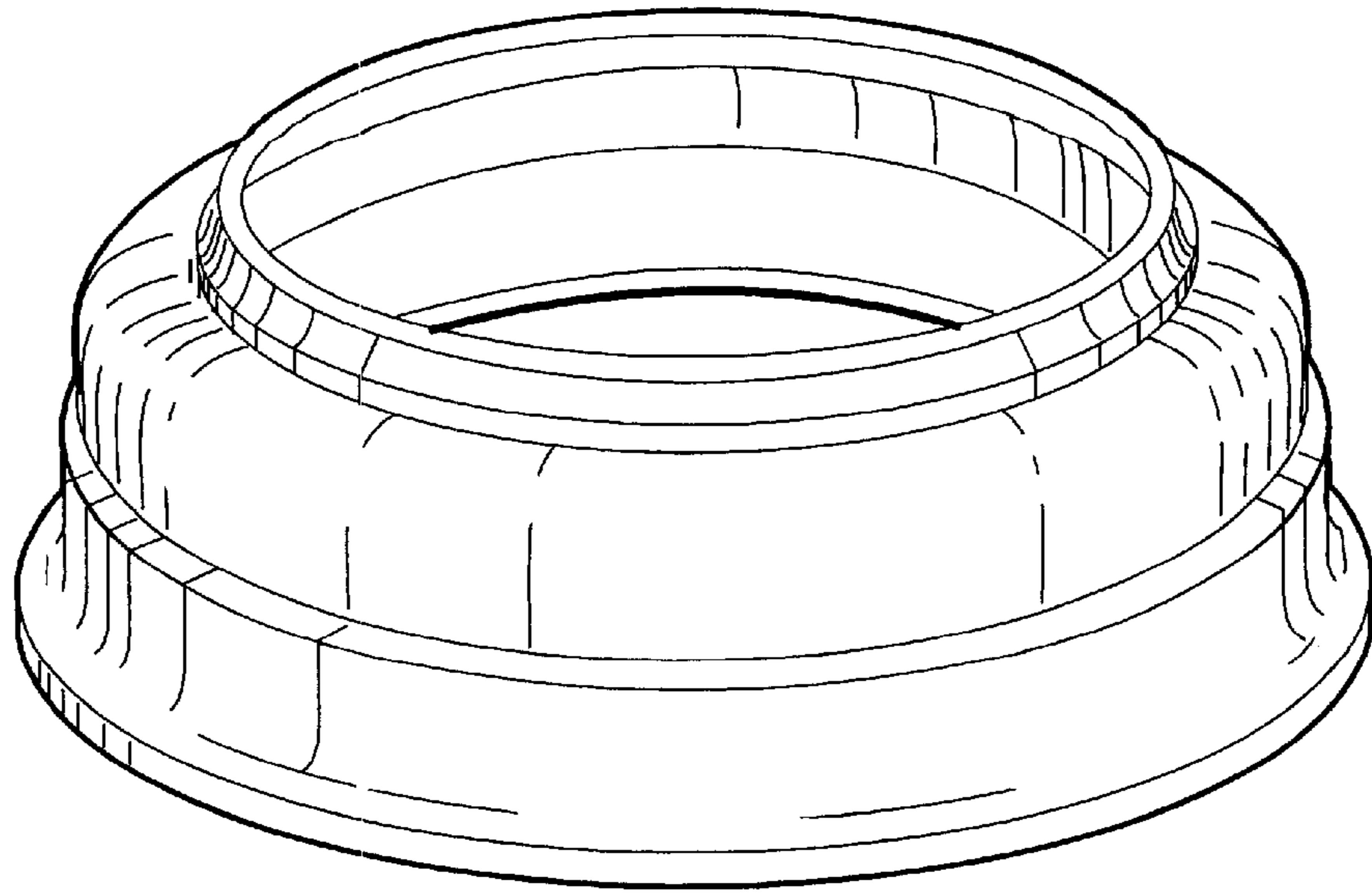


FIG. 11

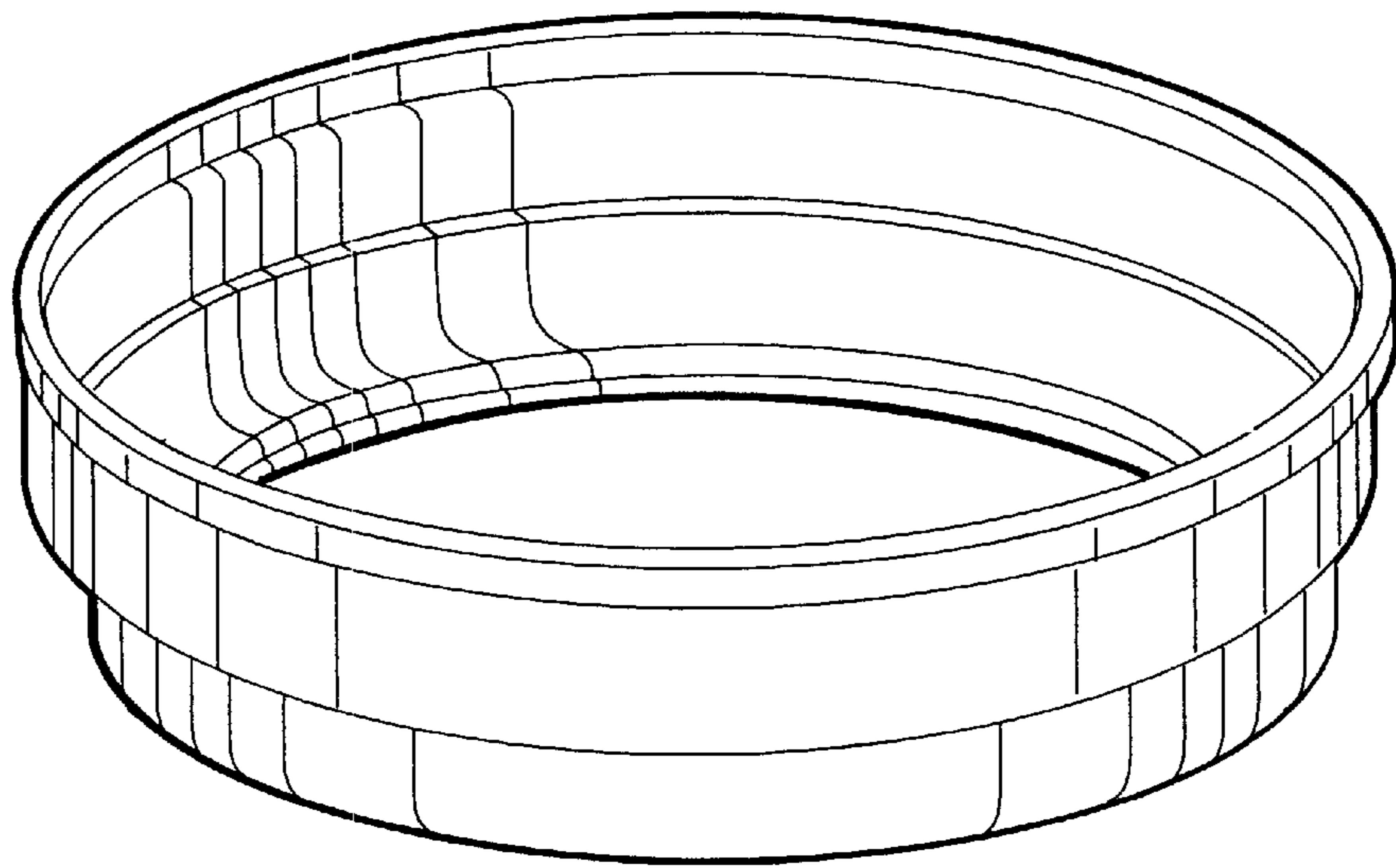


FIG. 12

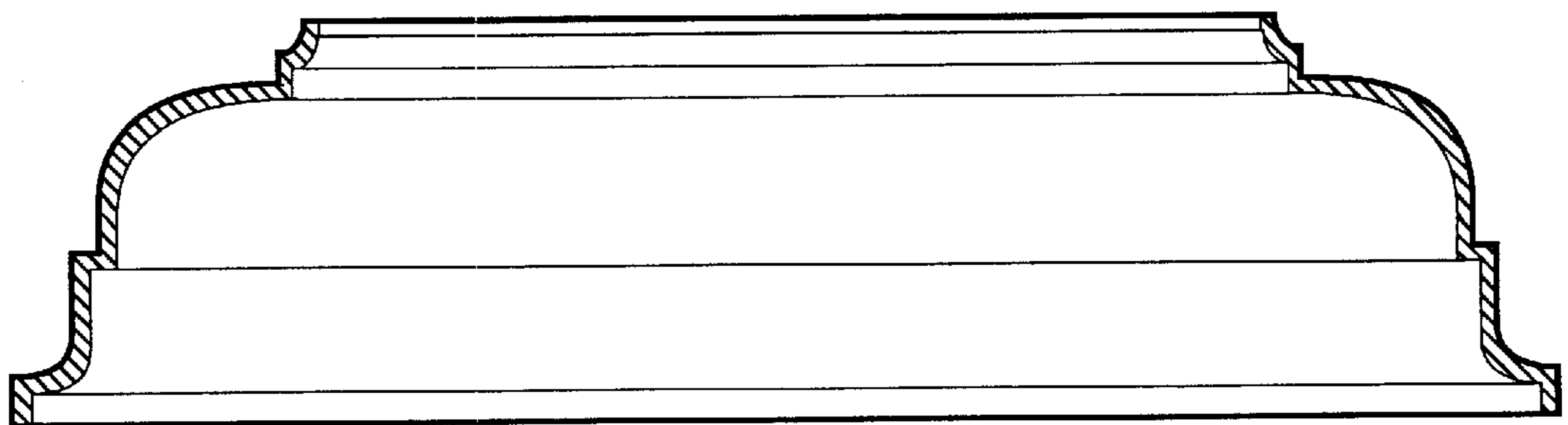


FIG. 13

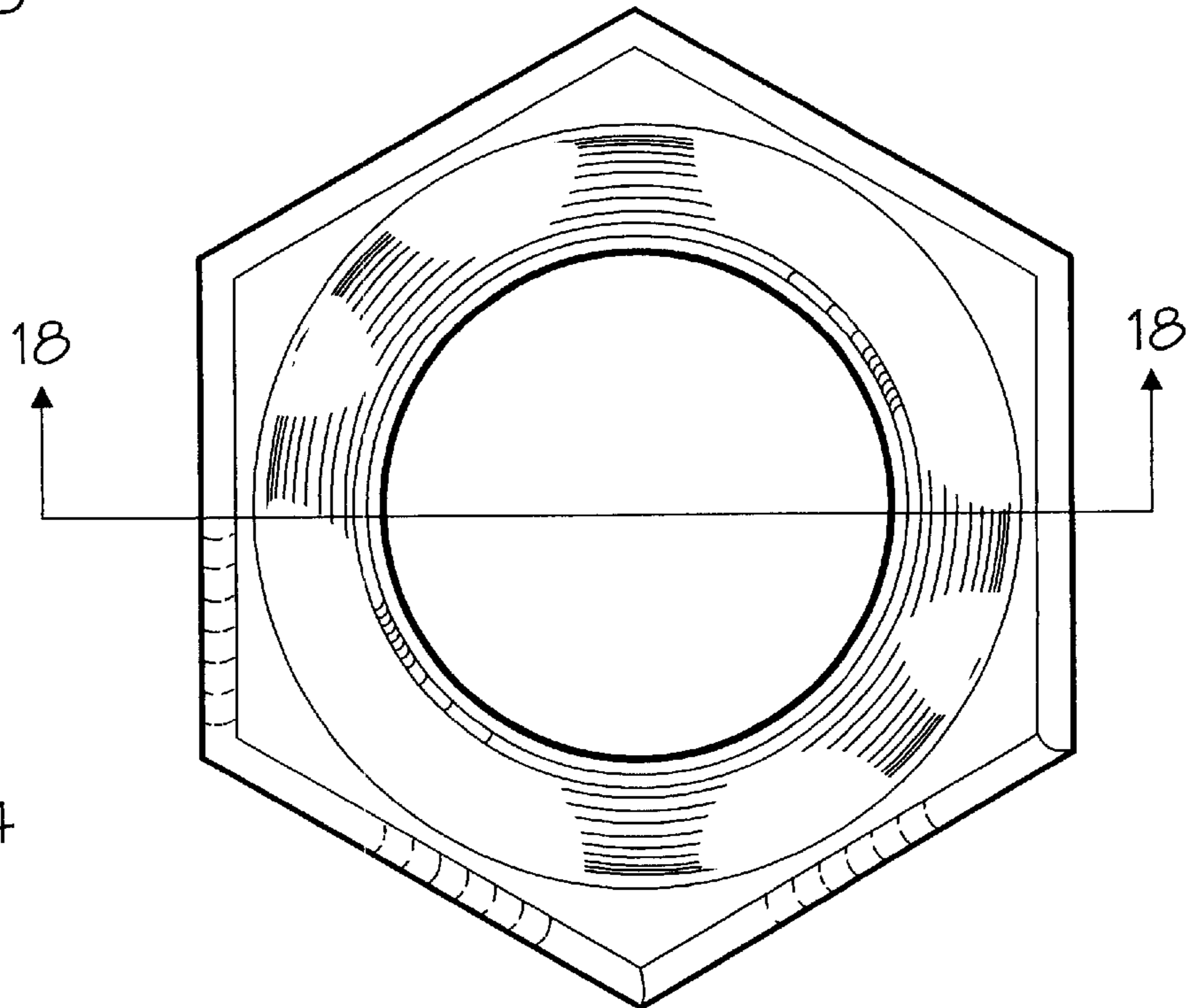
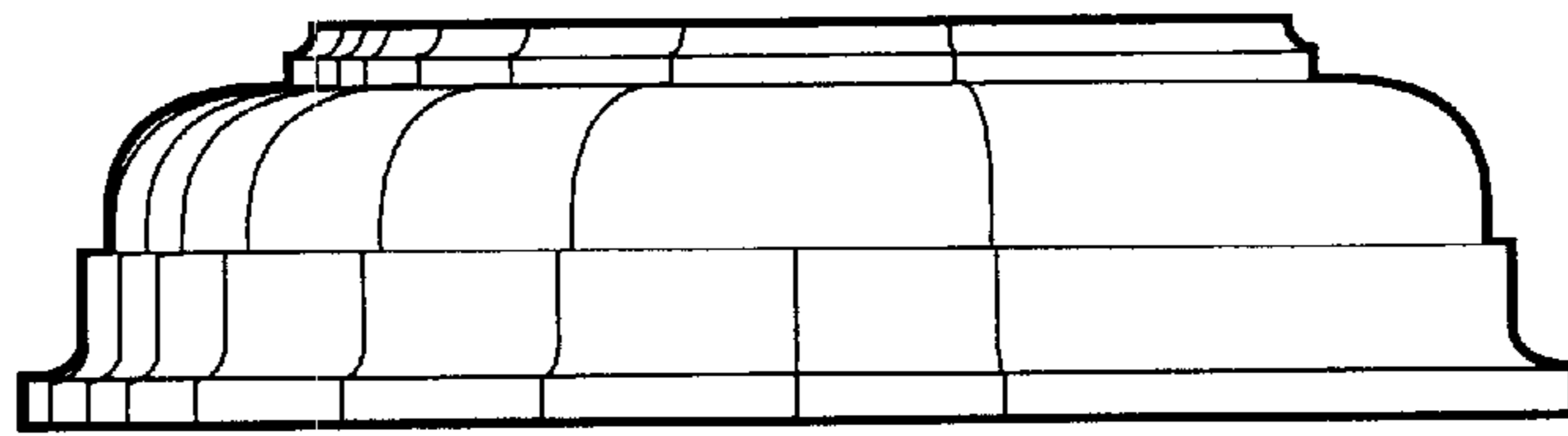


FIG. 14

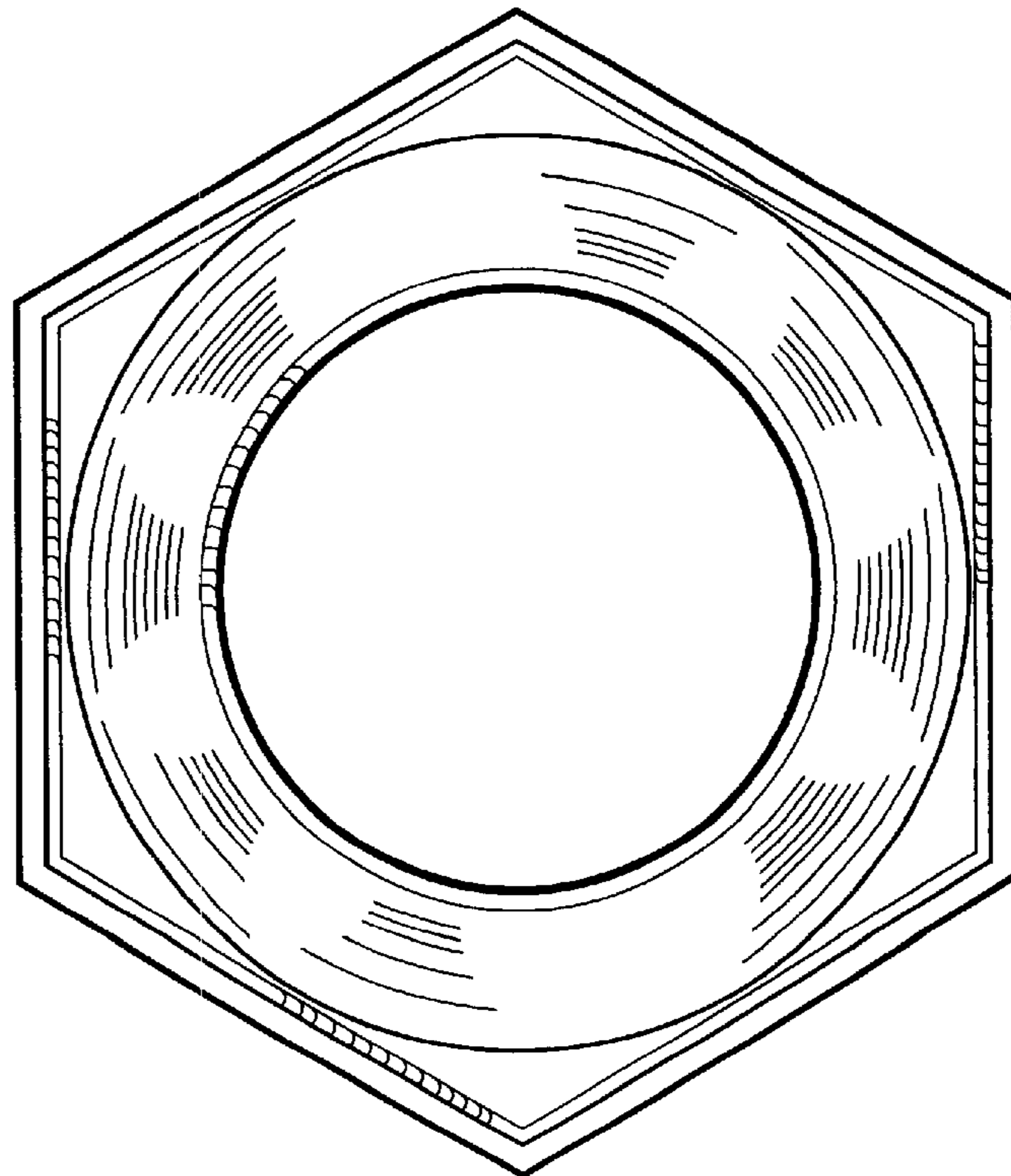


FIG. 15

FIG. 16

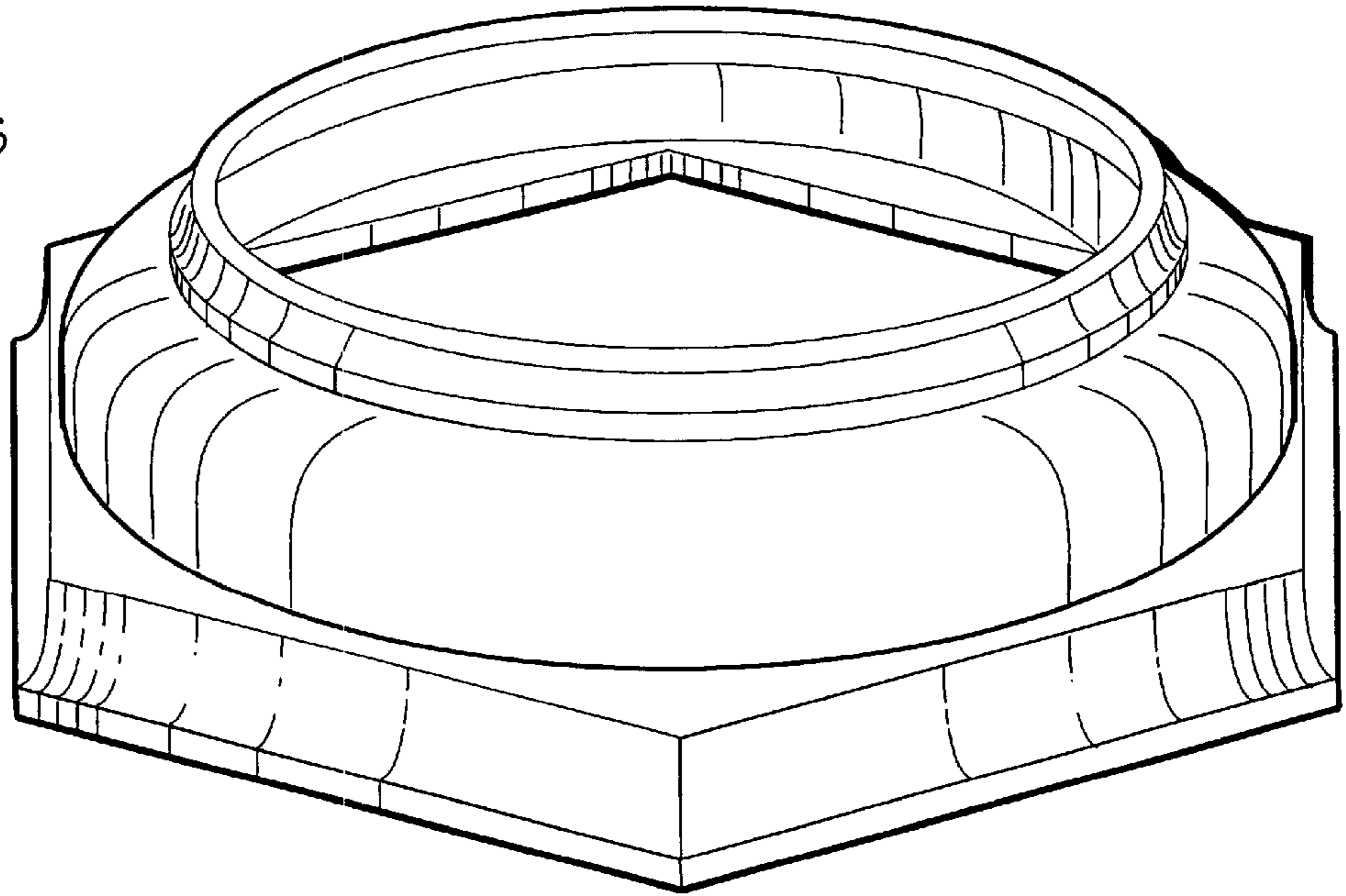


FIG. 17

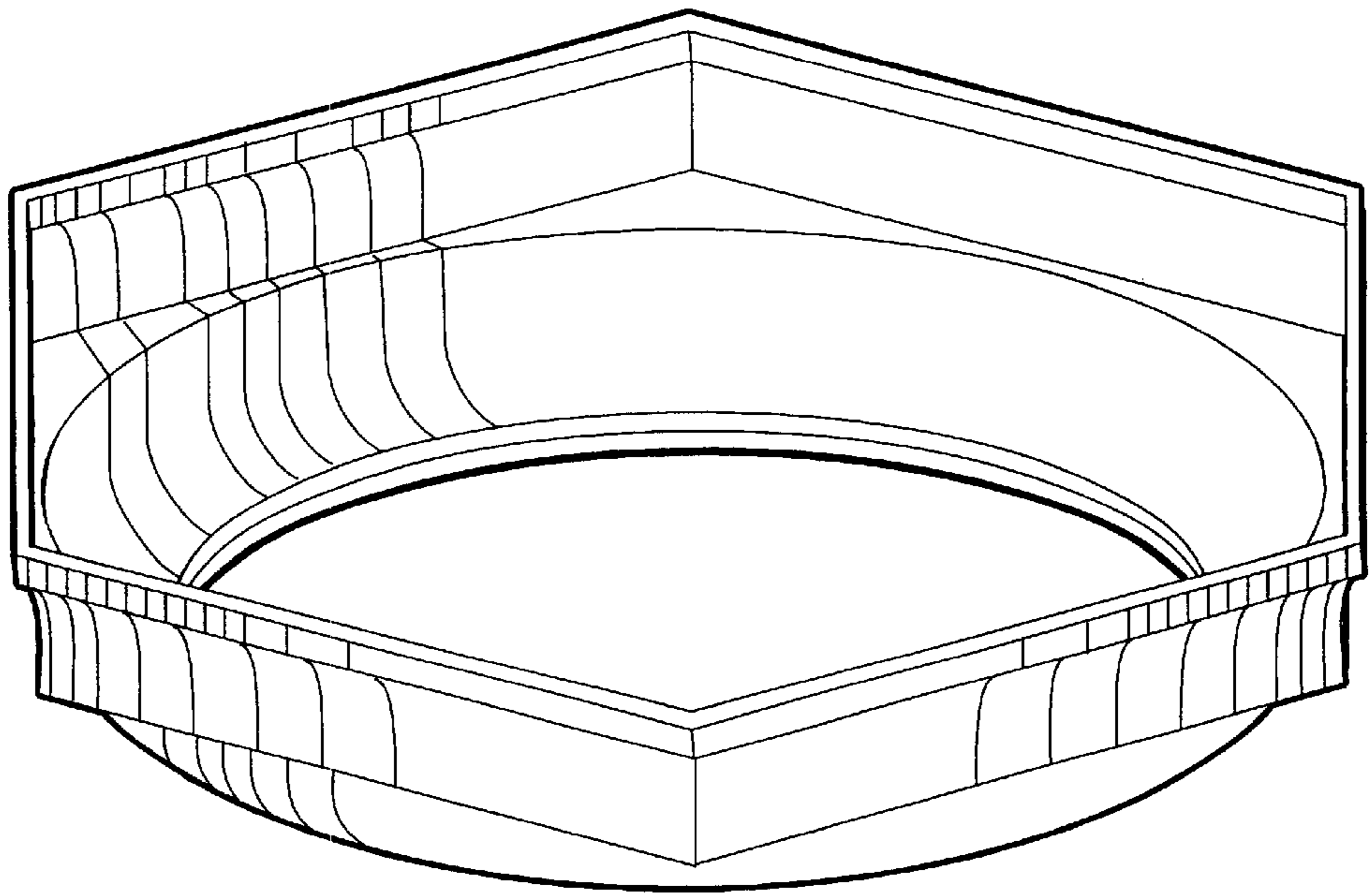


FIG. 18

