



US00D474542S

(12) **United States Design Patent**
Malmén

(10) **Patent No.:** **US D474,542 S**

(45) **Date of Patent:** **** May 13, 2003**

(54) **X-RAY APPARATUS**

(75) Inventor: **Kari Malmén**, Helsinki (FI)

(73) Assignee: **Planmeca Oy**, Helsinki (FI)

(**) Term: **14 Years**

(21) Appl. No.: **29/148,713**

(22) Filed: **Sep. 26, 2001**

(51) **LOC (7) Cl.** **24-01**

(52) **U.S. Cl.** **D24/158**

(58) **Field of Search** D24/158; 378/38,
378/39, 40, 168, 197

(56) **References Cited**

U.S. PATENT DOCUMENTS

D272,385 S	*	1/1984	Nakano et al.	D24/158
5,058,147 A	*	10/1991	Nishikawa et al.	378/38
D323,892 S	*	2/1992	Spoljaric	D24/158
5,642,392 A	*	6/1997	Nakano et al.	378/38
D417,503 S	*	12/1999	Spoljaric	D24/158
6,052,428 A	*	4/2000	Nakano et al.	378/38

6,169,780 B1 * 1/2001 Yoshimura et al. 378/39

* cited by examiner

Primary Examiner—Stella Reid

(74) *Attorney, Agent, or Firm*—Steinberg & Raskin, P.C.

(57) **CLAIM**

I claim the ornamental design for an X-ray apparatus, as shown and described.

DESCRIPTION

FIG. 1 is a perspective view an X-ray apparatus, showing my new design;

FIG. 2 is a front view thereof;

FIG. 3 is a a top plan view thereof;

FIG. 4 is a left side view thereof;

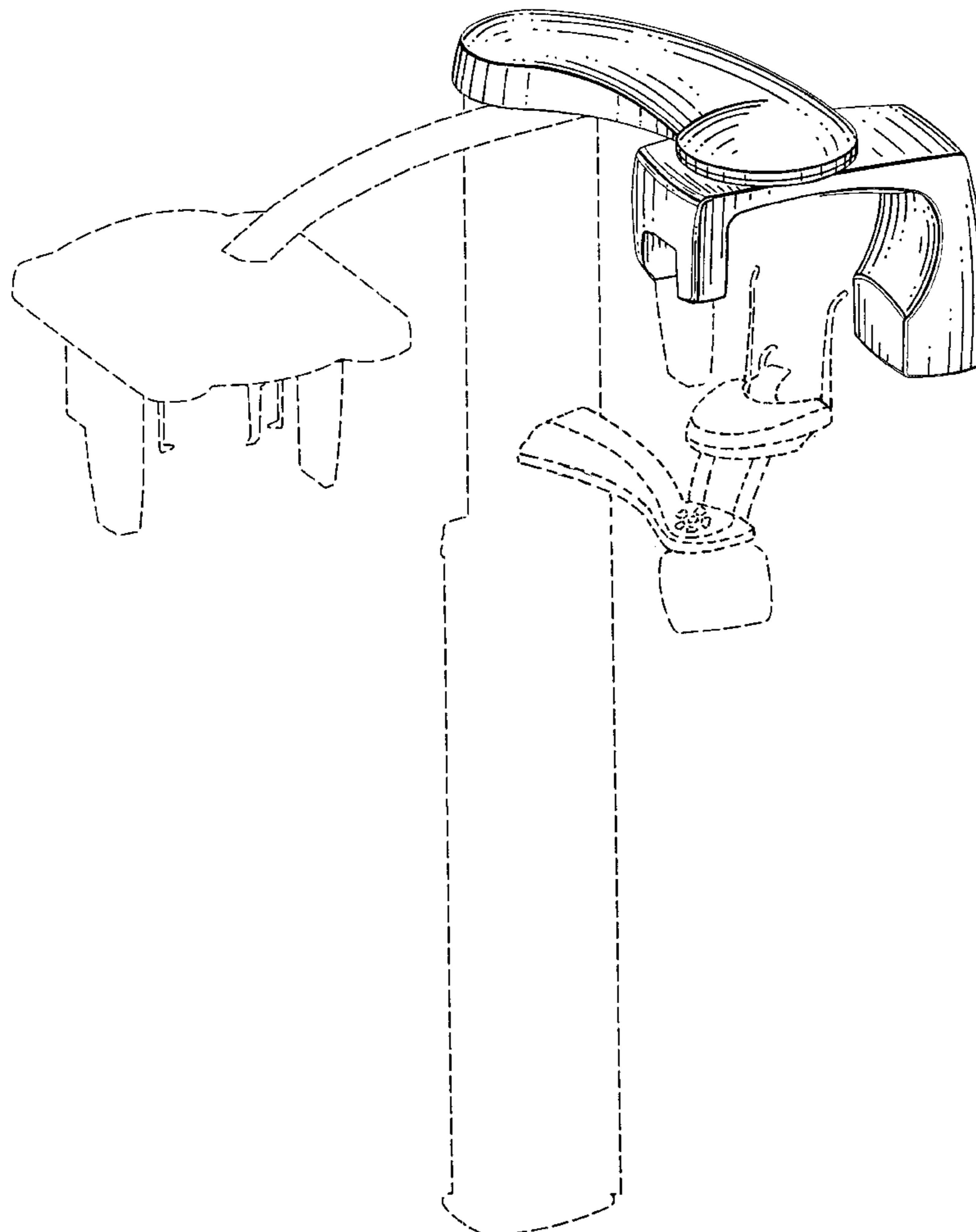
FIG. 5 is a right side view thereof;

FIG. 6 is a rear view thereof; and,

FIG. 7 is a bottom plan view thereof.

The broken line showing of is for illustrative purposes only and forms no part of the claimed design.

1 Claim, 7 Drawing Sheets



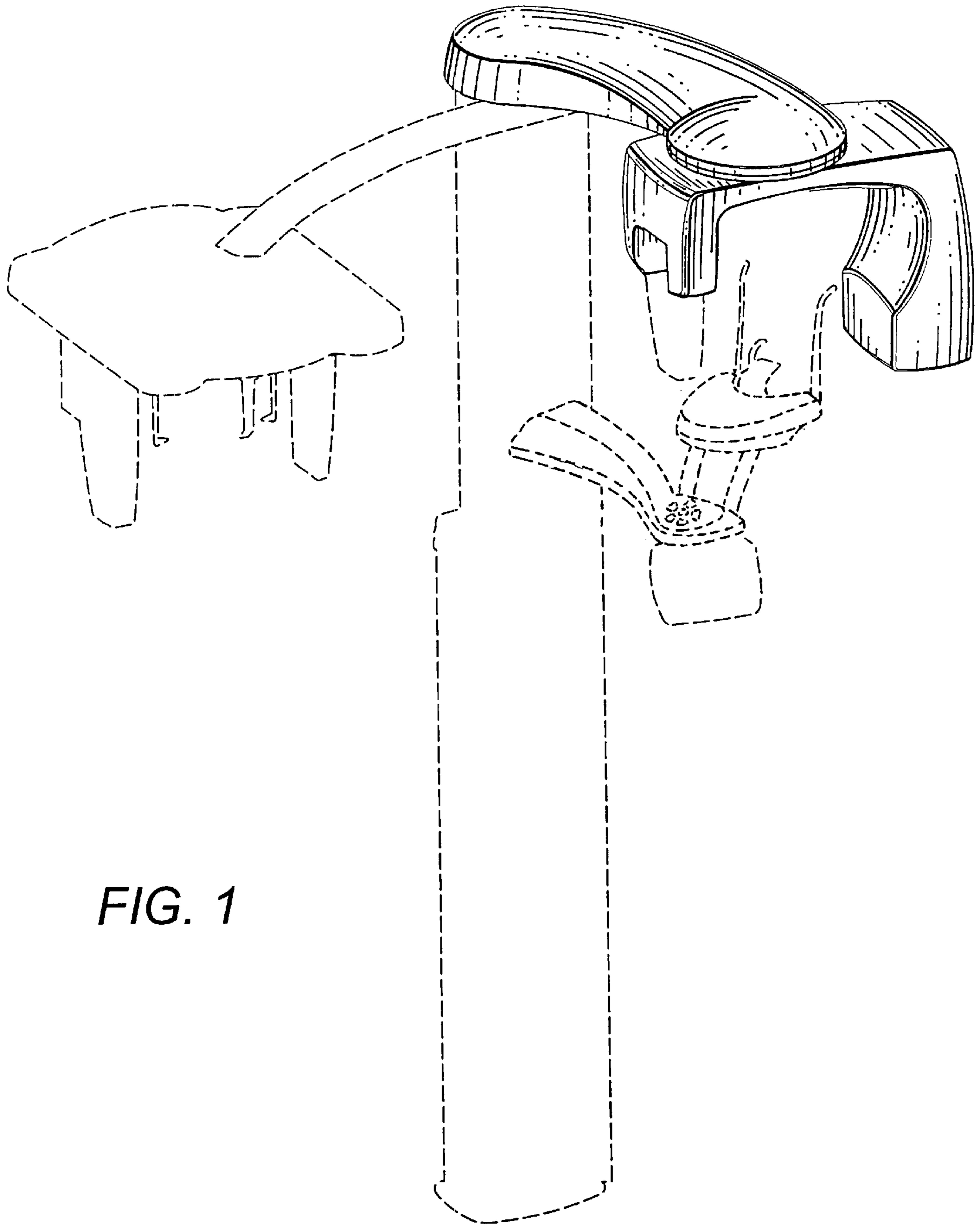


FIG. 1

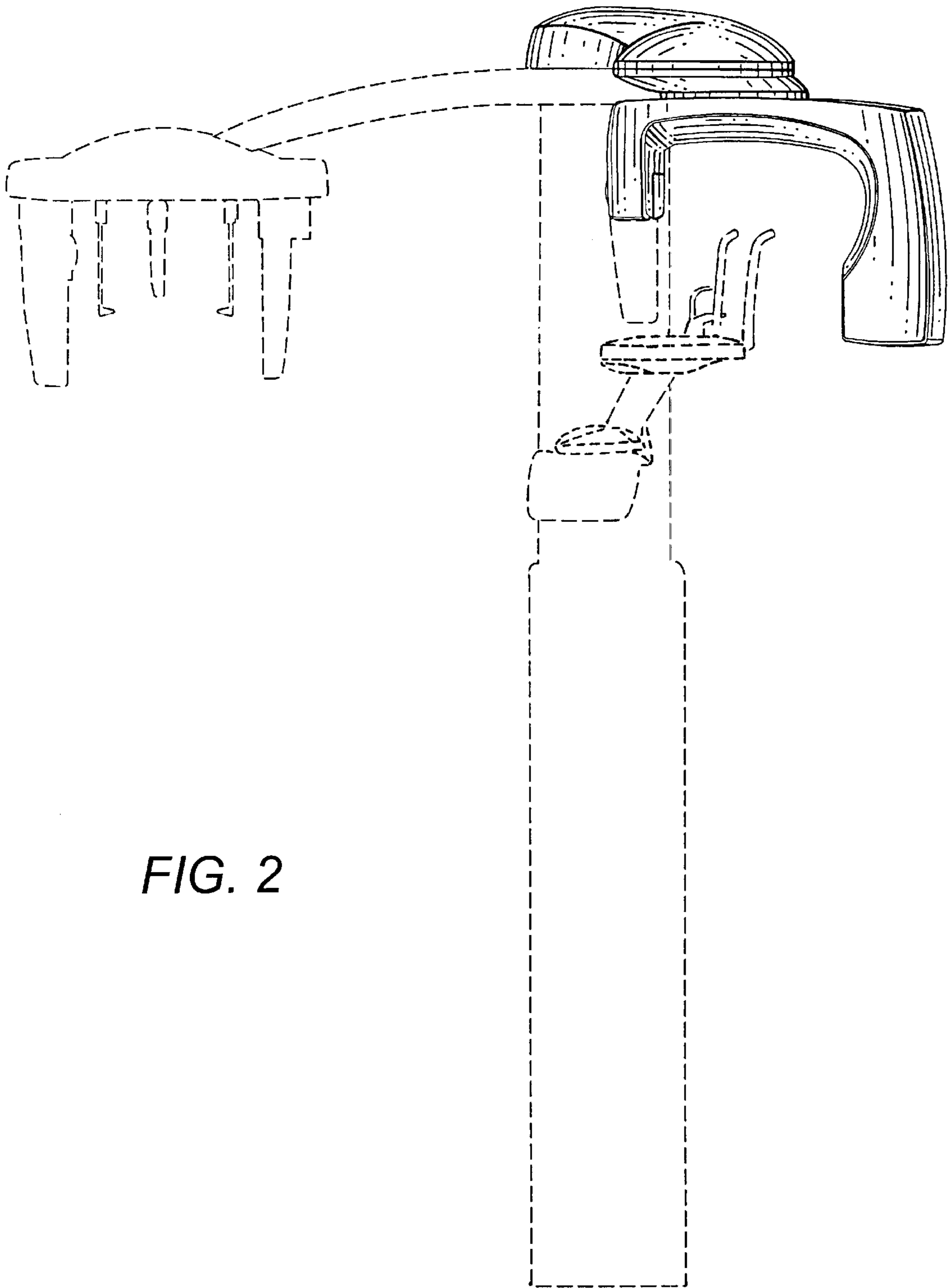


FIG. 2

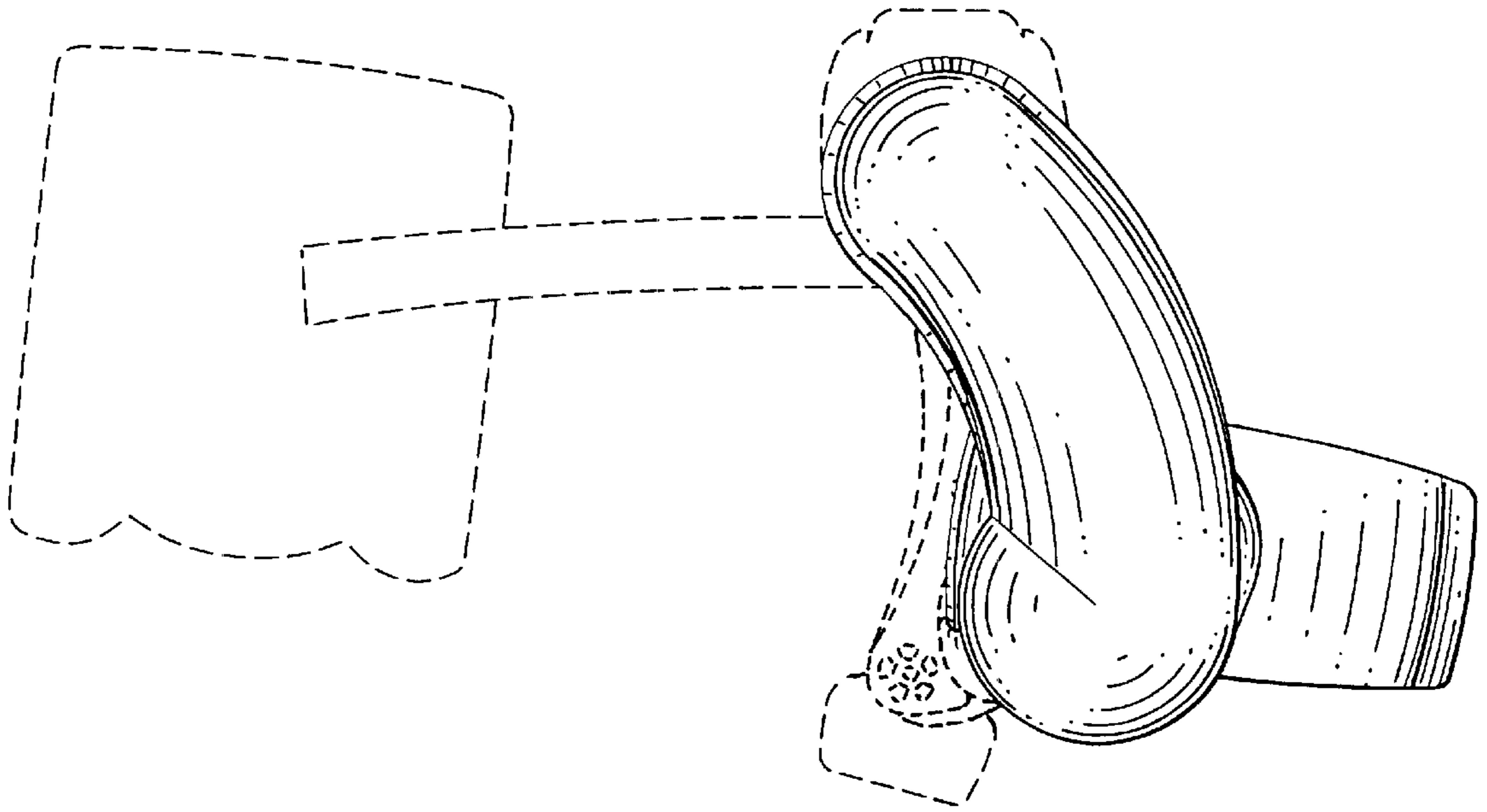


FIG. 3

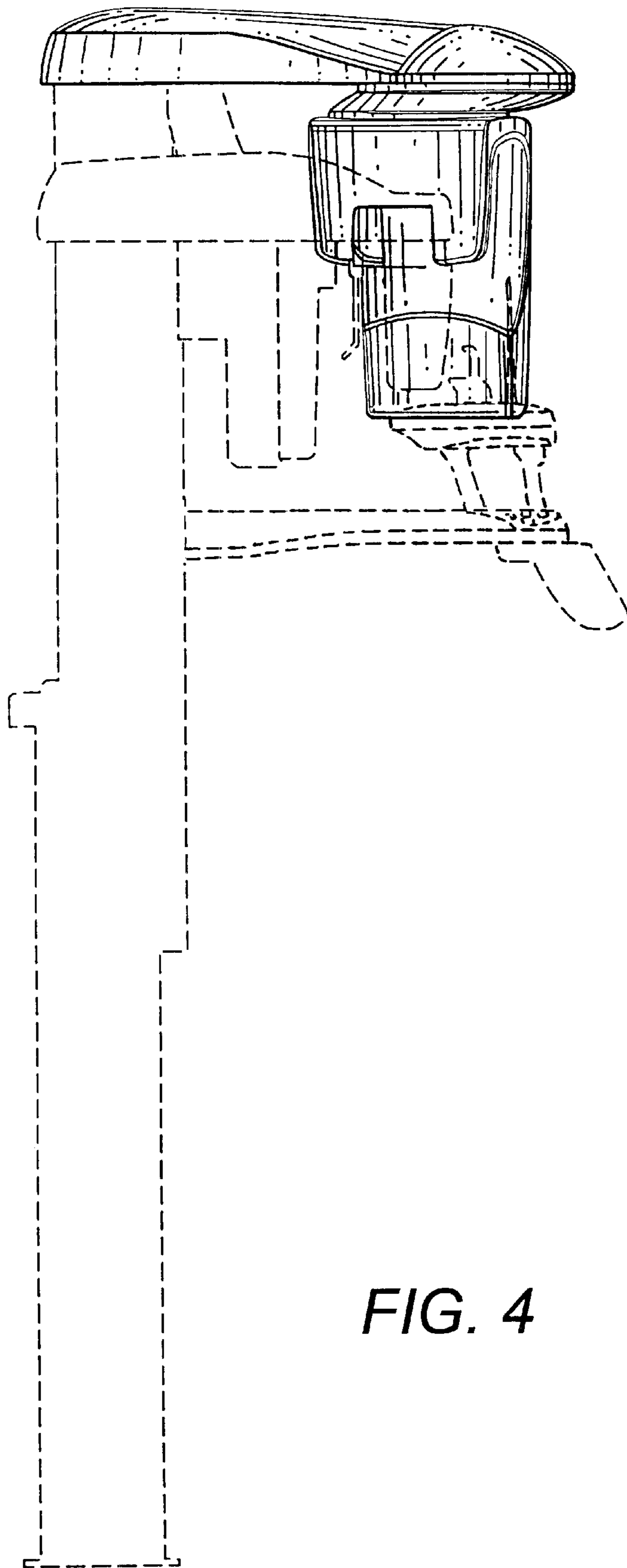


FIG. 4

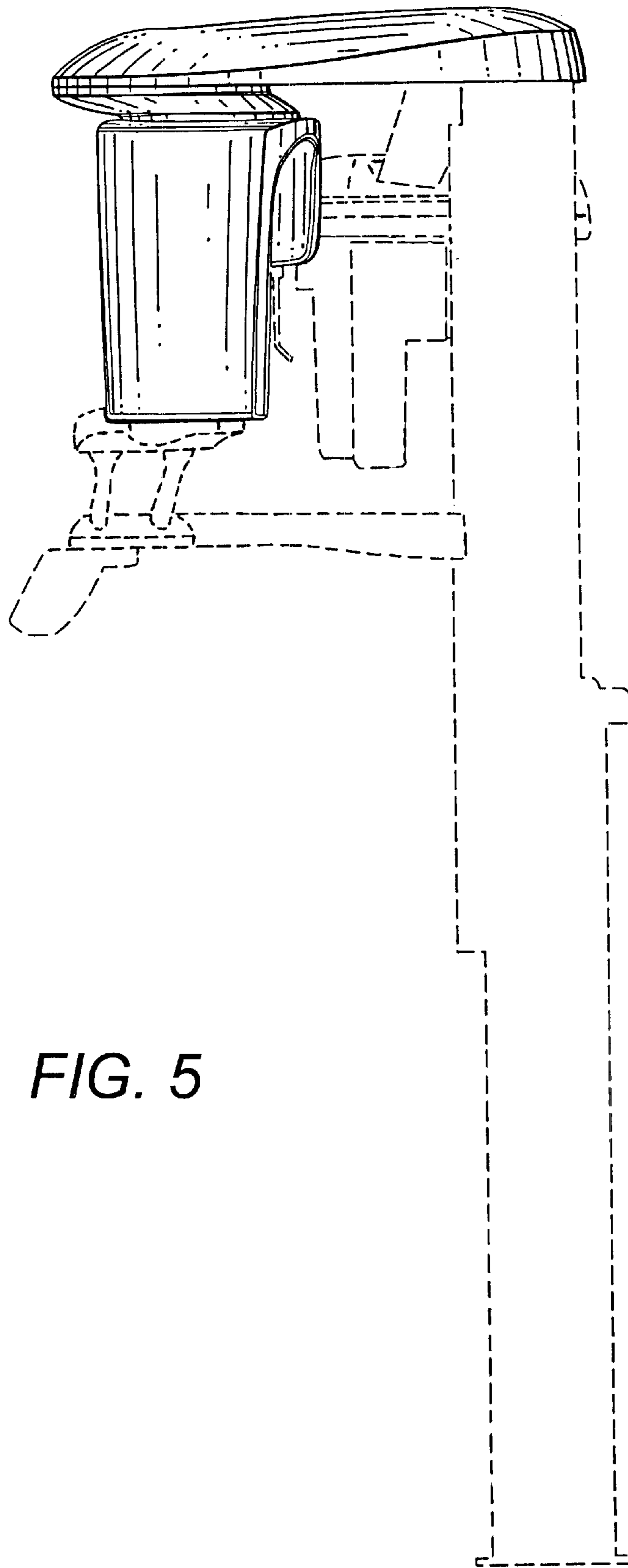


FIG. 5

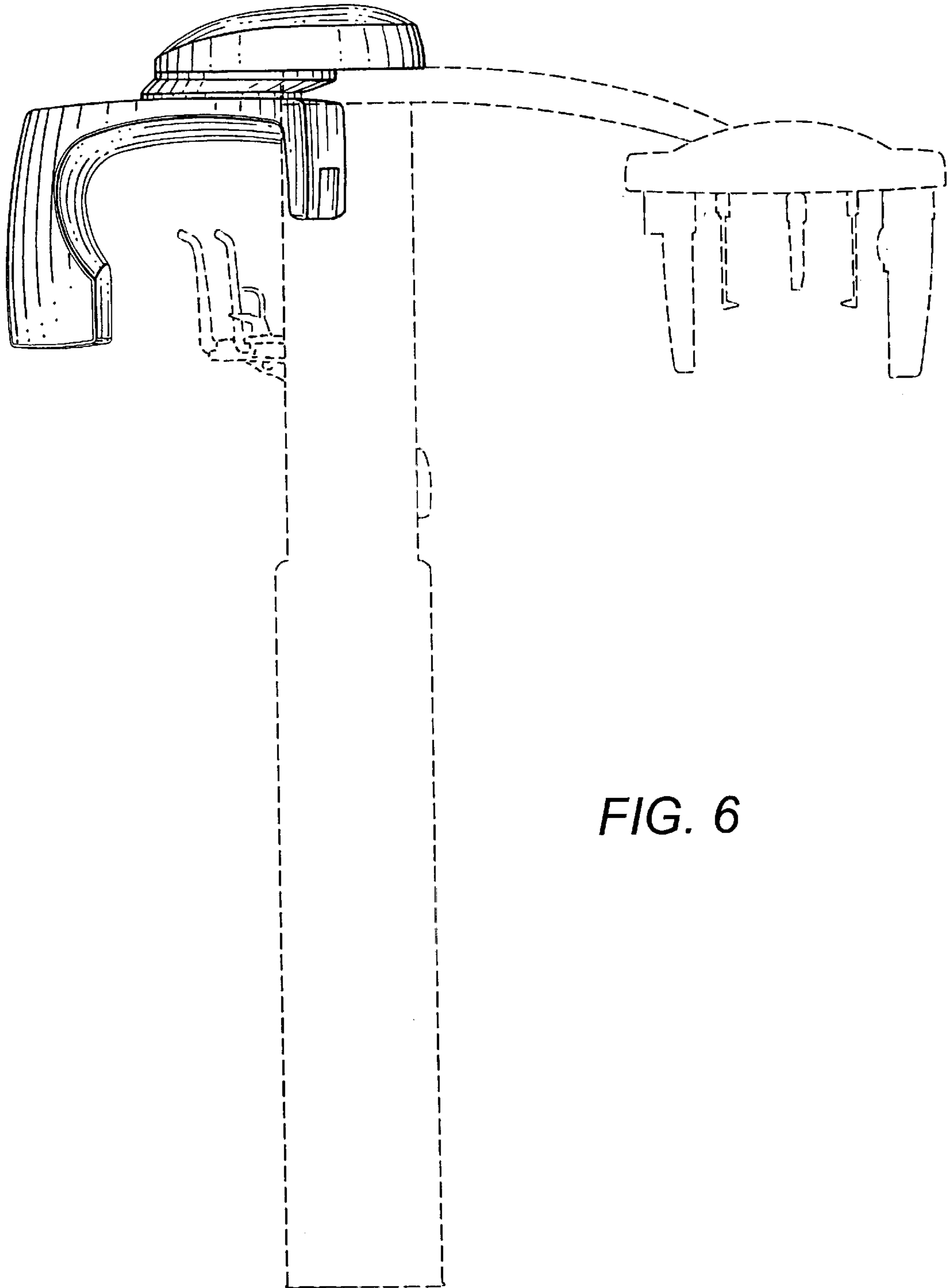


FIG. 6

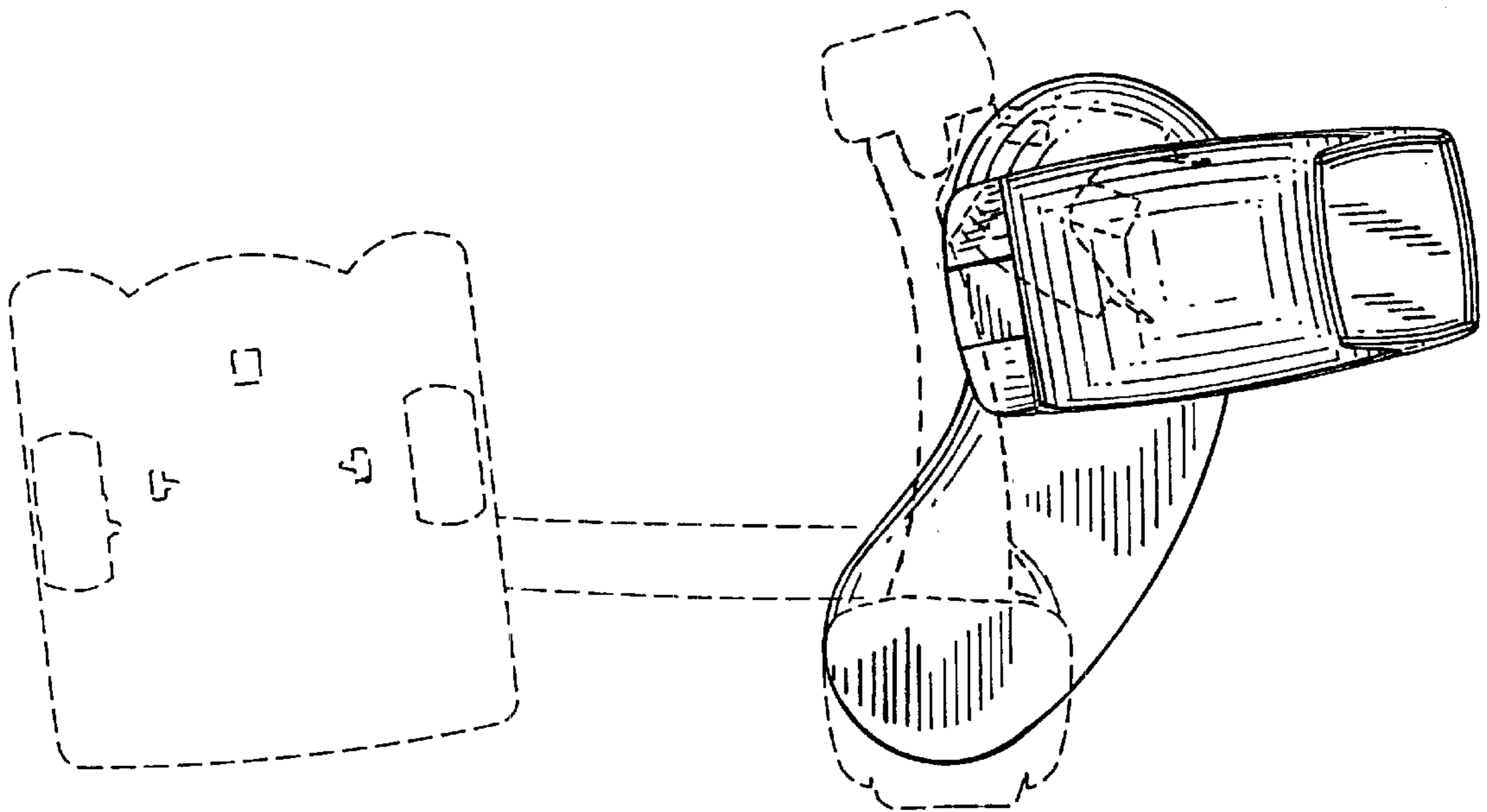


FIG. 7