



US00D474532S

(12) **United States Design Patent**
Chan et al.

(10) **Patent No.:** **US D474,532 S**

(45) **Date of Patent:** **** May 13, 2003**

(54) **PATIO HEATER**

(76) Inventors: **Neil Chan**, 10F. No. 111, Sec. 4,
San-Ho Rd., San-Chung City, Taipei
(TW); **Ader Chen**, 10F. No. 111, Sec.
4, San-Ho Rd., San-Chung City, Taipei
(TW)

(**) Term: **14 Years**

(21) Appl. No.: **29/151,667**

(22) Filed: **Dec. 5, 2001**

(51) **LOC (7) Cl.** **23-03**

(52) **U.S. Cl.** **D23/336; D23/332; D23/338;**
D23/342

(58) **Field of Search** **D23/332, 342,**
D23/336, 338; 126/25 R, 67, 92 A, 92 B,
92 AC, 90 A

(56) **References Cited**

U.S. PATENT DOCUMENTS

D325,963 S * 5/1992 Anderson D23/342
D429,324 S * 8/2000 Olson et al. D23/342

6,164,273 A * 12/2000 Waters 126/92 AC
D446,290 S * 8/2001 Jeng D23/328
D450,816 S * 11/2001 Bilotti D23/332
D451,988 S * 12/2001 Ashton et al. D23/328
D452,301 S * 12/2001 Schwartz et al. D23/342
6,397,835 B1 * 6/2002 Liang 126/92 B

* cited by examiner

Primary Examiner—B. J. Bullock

(74) *Attorney, Agent, or Firm*—Chan Law Group LC; Brett
L. Halperin

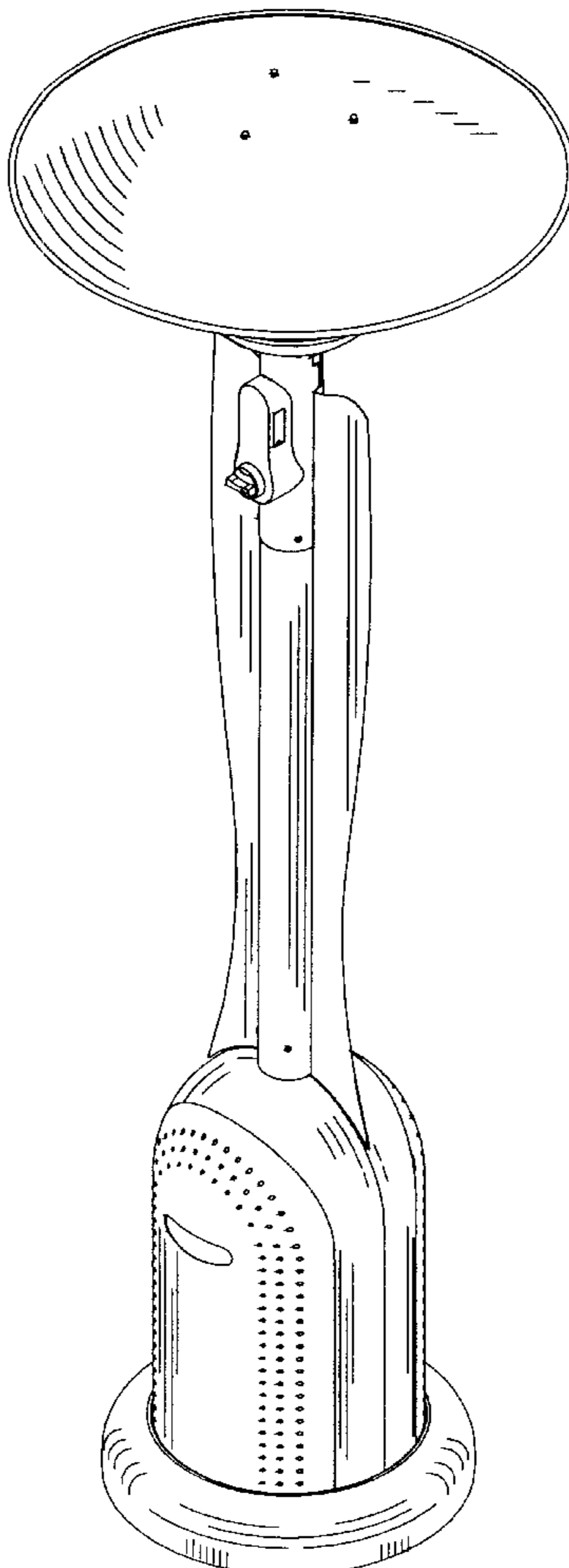
(57) **CLAIM**

The ornamental design for a patio heater, as shown and
described.

DESCRIPTION

FIG. 1 is an orthogonal view of the patio heater;
FIG. 2 is a left side elevation view there of;
FIG. 3 is a front elevation view there of;
FIG. 4 is a back elevation view there of;
FIG. 5 is a right side elevation view there of; and,
FIG. 6 is a top plan view there of.

1 Claim, 6 Drawing Sheets



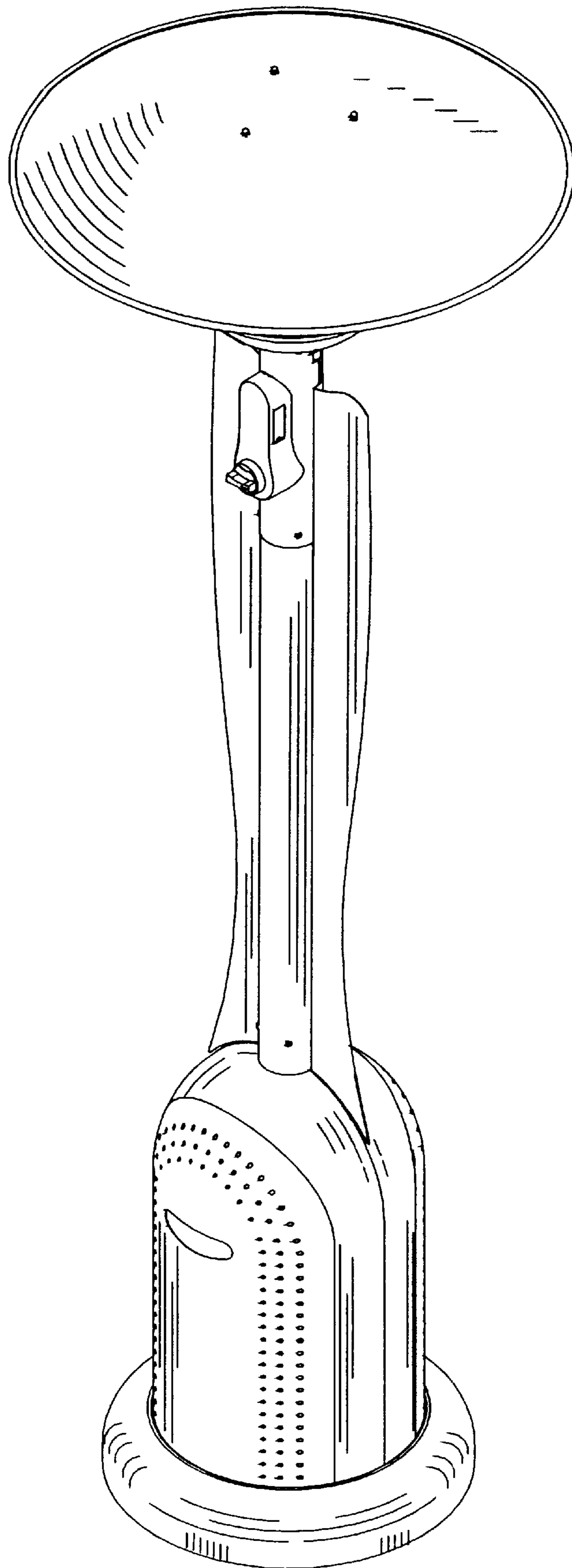


FIG. I

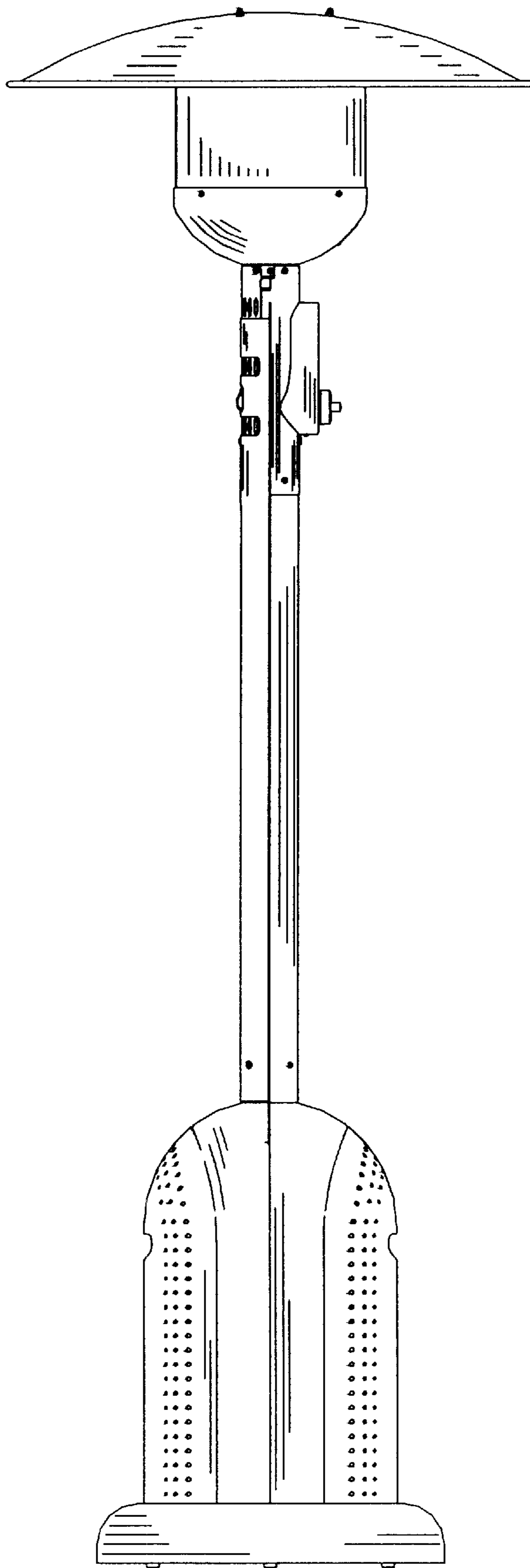


FIG. 2

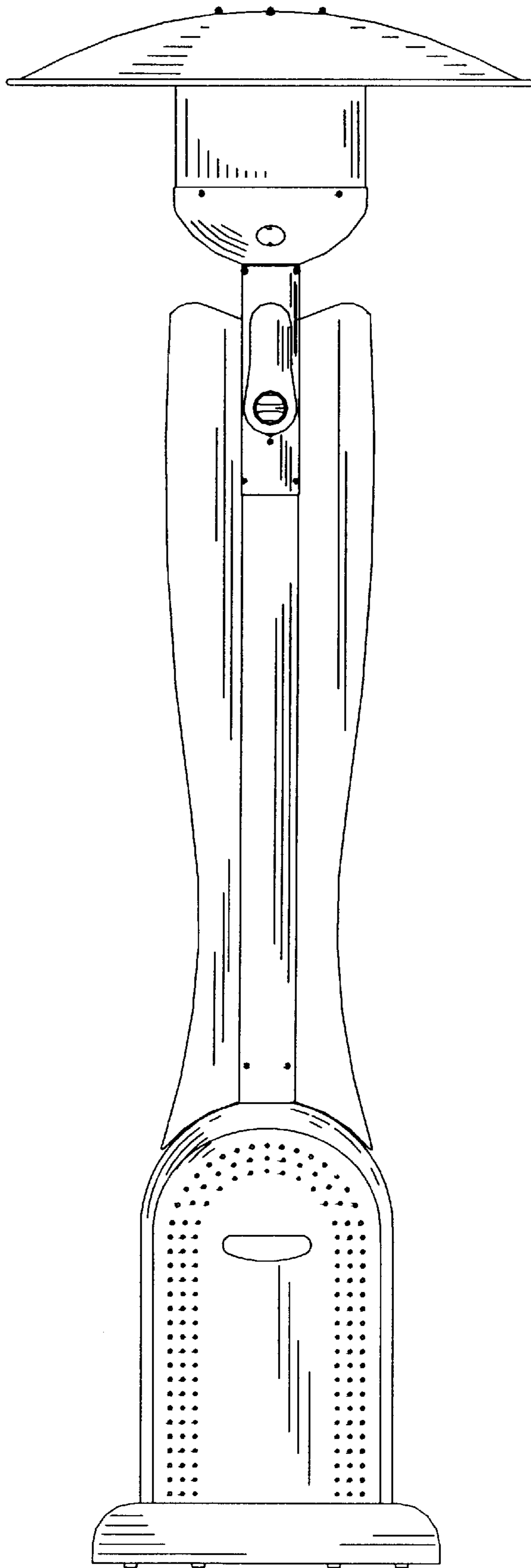


FIG. 3

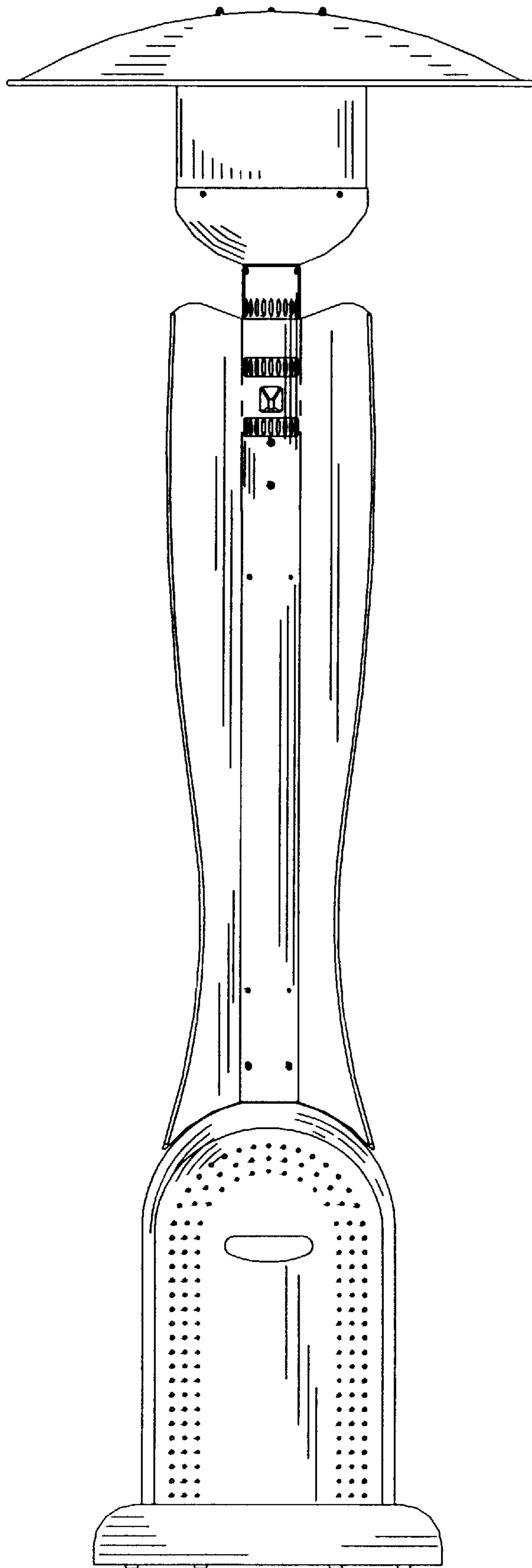


FIG. 4

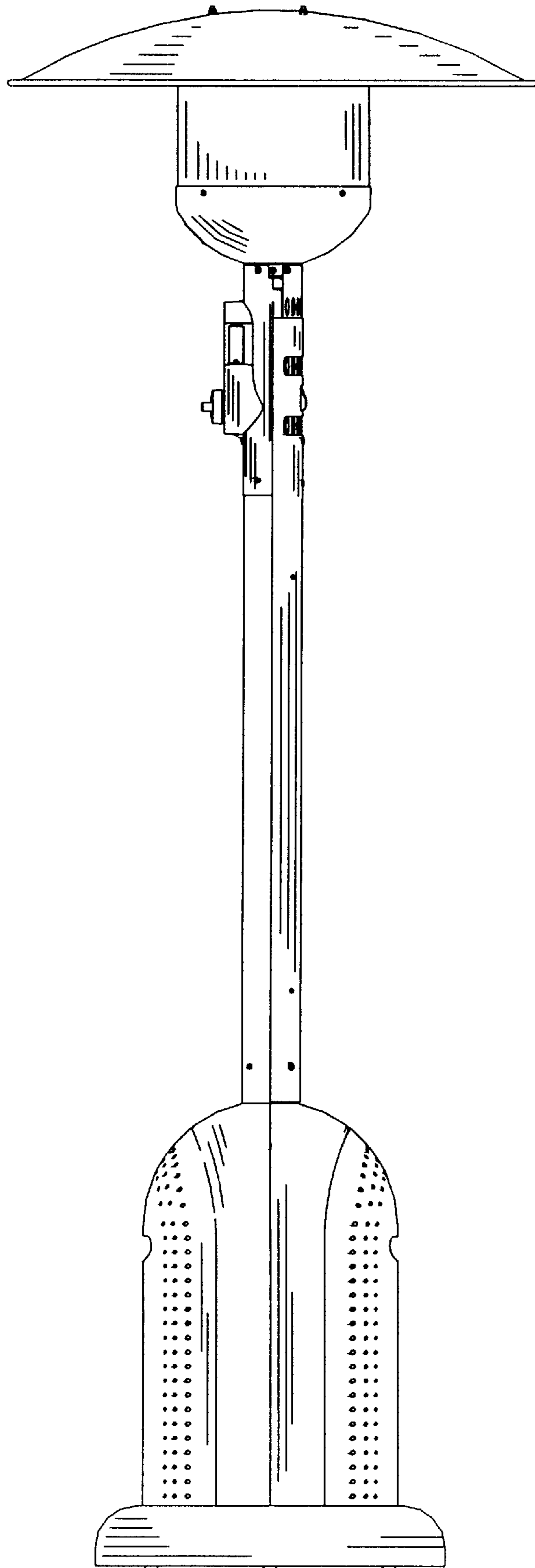


FIG. 5

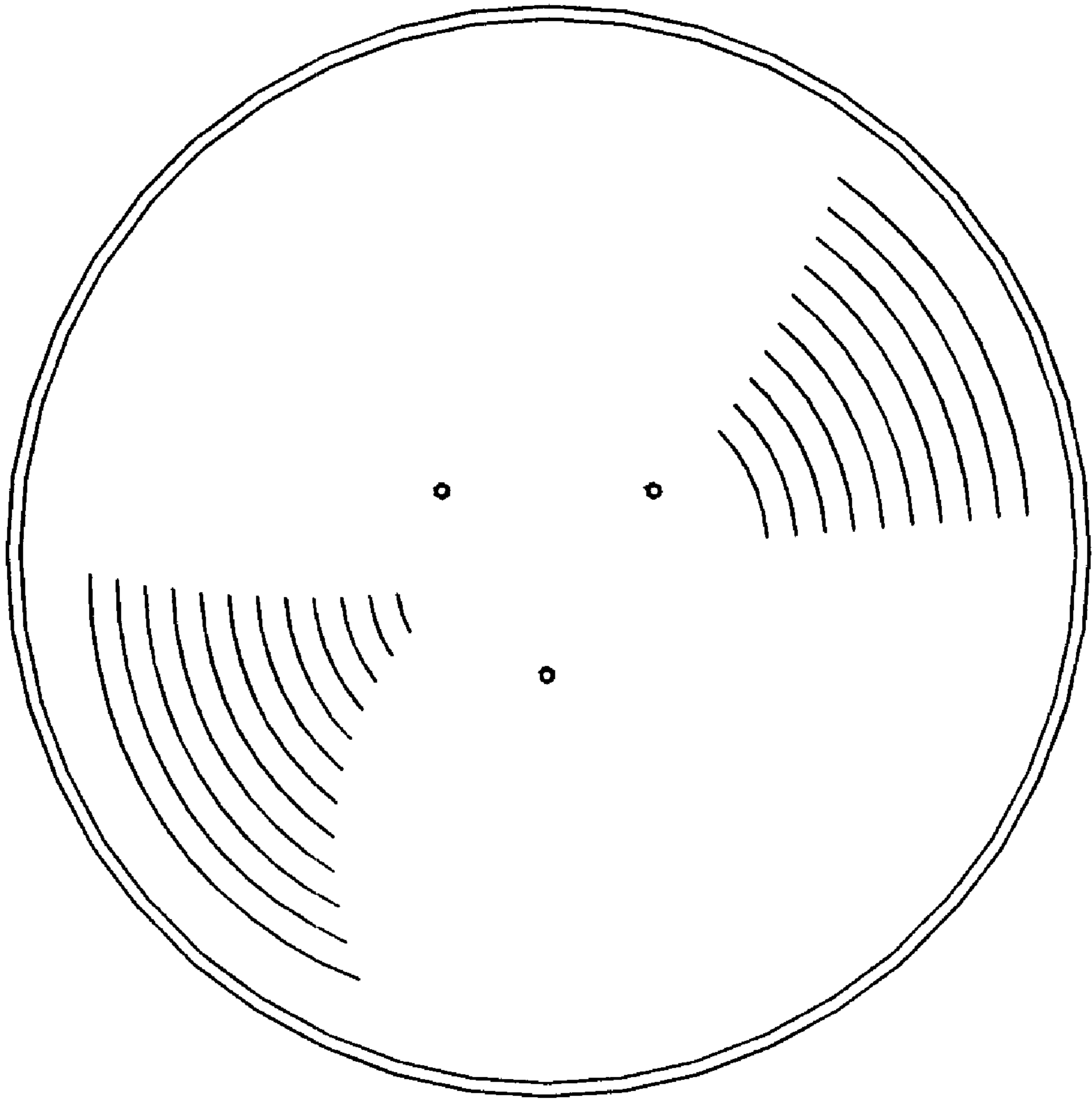


FIG. 6