



US00D474531S

(12) **United States Design Patent**  
**Cairns**

(10) **Patent No.:** **US D474,531 S**

(45) **Date of Patent:** **\*\* May 13, 2003**

(54) **TOILET SEAT LID COVER THAT IS APPROXIMATELY COEXTENSIVE WITH THE TOP SURFACE OF THE LID**

(75) Inventor: **Janice E. Cairns**, Woodstock, GA (US)

(73) Assignee: **Breeze Home Fashions, Inc.**, Woodstock, GA (US)

(\*\*) Term: **14 Years**

(21) Appl. No.: **29/160,148**

(22) Filed: **May 6, 2002**

(51) **LOC (7) Cl.** ..... **23-02**

(52) **U.S. Cl.** ..... **D23/311**

(58) **Field of Search** ..... D23/303, 309, D23/311, 312; 4/483, 217, 237-239, 456, 473, 242.1, 244.3, 245.1; D6/611

(56) **References Cited**

**U.S. PATENT DOCUMENTS**

|           |   |   |         |               |       |         |
|-----------|---|---|---------|---------------|-------|---------|
| 2,608,694 | A | * | 6/1952  | McCamy        | ..... | 4/242.1 |
| 4,130,906 | A | * | 12/1978 | Robertson     | ..... | 4/242.1 |
| D314,043  | S | * | 1/1991  | Beller et al. | ..... | D23/311 |
| 5,636,389 | A | * | 6/1997  | LaLonde       | ..... | 4/242.1 |
| D441,854  | S | * | 5/2001  | Cool          | ..... | D23/311 |

\* cited by examiner

*Primary Examiner*—Louis S. Zarfes  
*Assistant Examiner*—Robert A. Delehanty  
(74) *Attorney, Agent, or Firm*—Mehrman Law Office, PC; Michael J. Mehrman

(57) **CLAIM**

The ornamental design for a toilet seat lid cover that is approximately coextensive with the top surface of the lid, as shown and described.

**DESCRIPTION**

FIG. 1 is a side perspective view of toilet having affixed thereto the inventive toilet seat lid cover that is approximately coextensive with the top surface of the lid.

FIG. 2 is a side view of the toilet seat lid cover shown in FIG. 1.

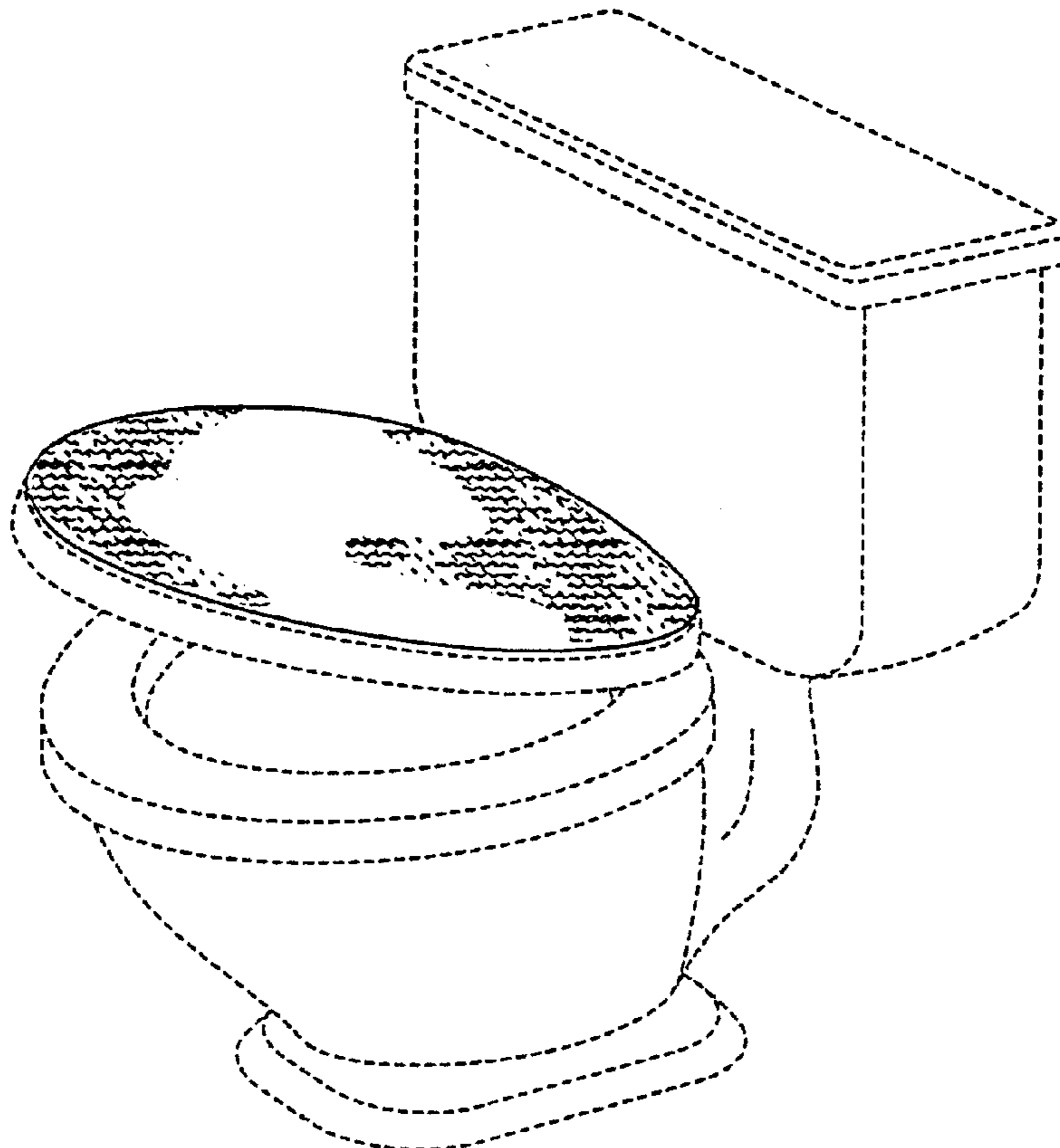
FIG. 3 is a front view of the toilet seat lid cover shown in FIG. 1.

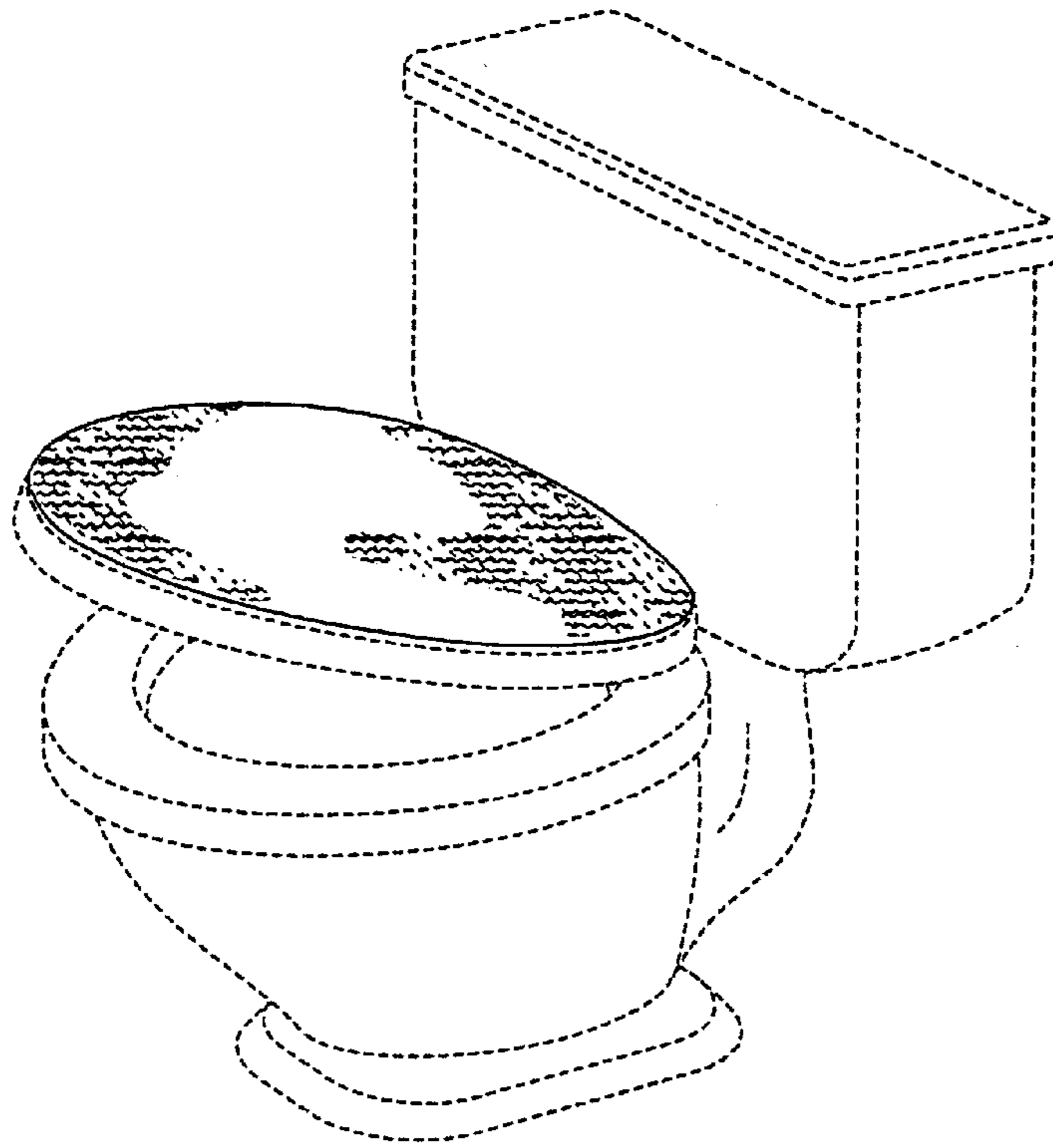
FIG. 4 is a top view of the toilet seat lid cover shown in FIG. 1; and,

FIG. 5 is bottom view of the toilet seat lid cover shown in FIG. 1.

The broken line showing of a toilet, toilet seat and toilet seat lid is for illustrative purposes only and forms no part of the claimed design.

**1 Claim, 1 Drawing Sheet**

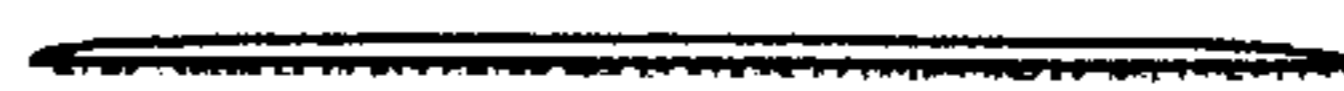




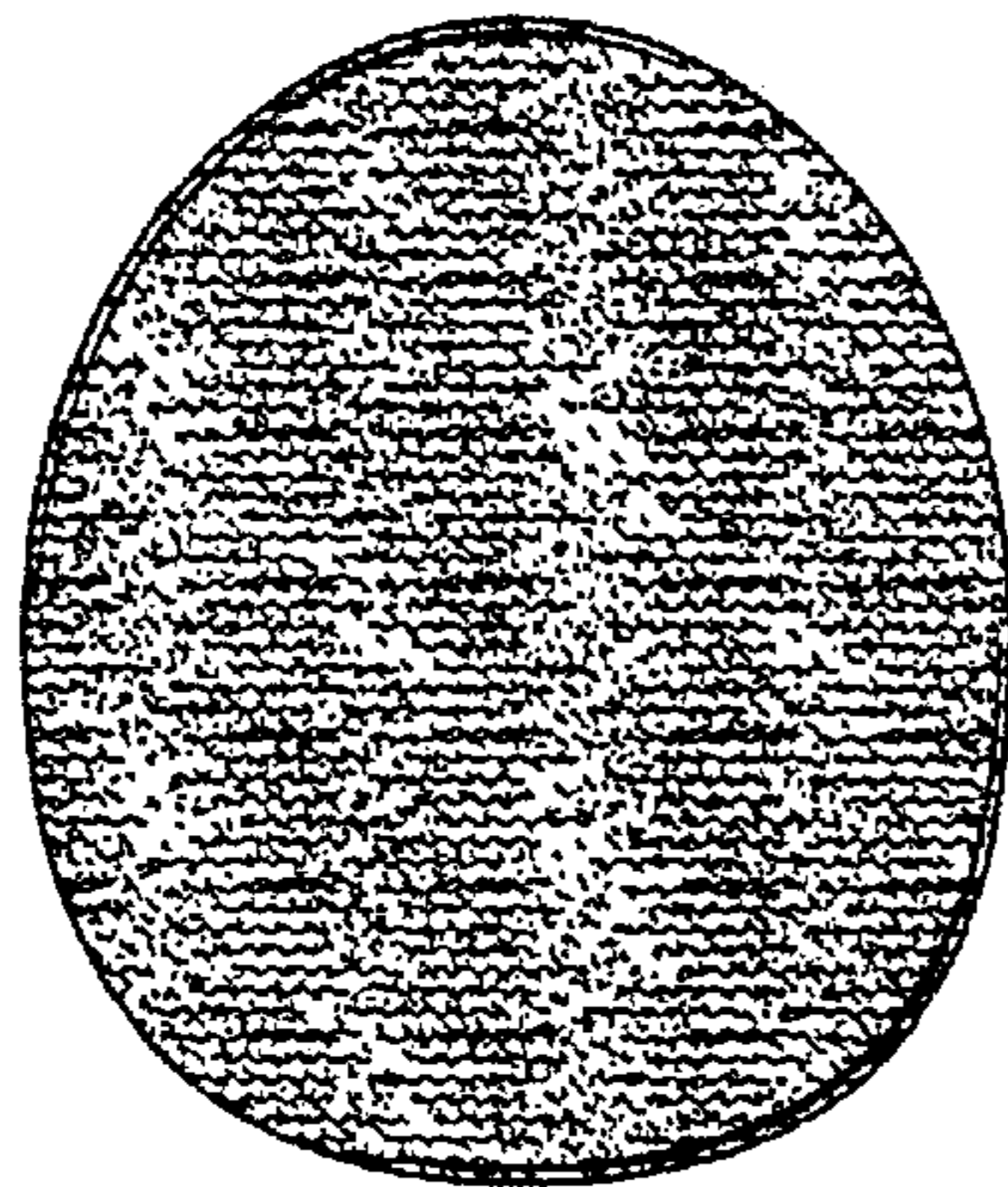
*Fig. 1*



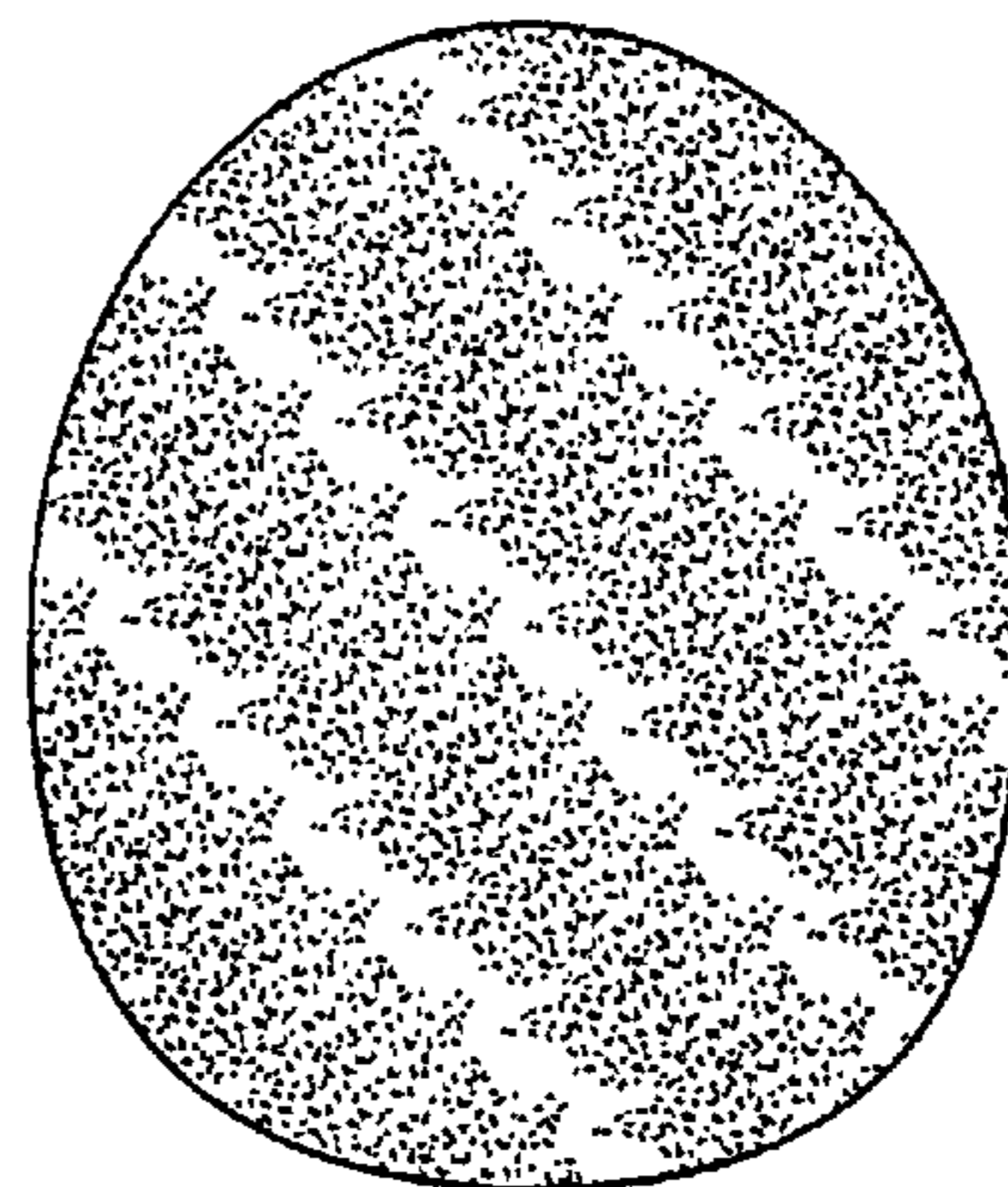
*Fig. 2*



*Fig. 3*



*Fig. 4*



*Fig. 5*