



US00D474530S

(12) **United States Design Patent**  
**Richardson**

(10) **Patent No.:** **US D474,530 S**

(45) **Date of Patent:** **\*\* May 13, 2003**

(54) **BASIN**

(76) **Inventor:** **Kevin Richardson**, 5 Uppingham Road,  
Stoneycroft Liverpool (GB), L13 7DJ

(\*\*) **Term:** **14 Years**

(21) **Appl. No.:** **29/163,287**

(22) **Filed:** **Jun. 28, 2002**

(51) **LOC (7) Cl.** ..... **23-02**

(52) **U.S. Cl.** ..... **D23/293.1**

(58) **Field of Search** ..... D23/272-274,  
D23/289-292, 293.1, 303, 308; 4/619-652,  
660, 661

(56) **References Cited**

**U.S. PATENT DOCUMENTS**

- D201,344 S \* 6/1965 Stair, Jr. .... D23/293.1
- D293,930 S \* 1/1988 Reid ..... D23/292
- D328,338 S \* 7/1992 Ragonot ..... D23/284
- 5,628,075 A \* 5/1997 Dudnik et al. .... 4/645

- D394,308 S \* 5/1998 Bertoli ..... D23/293.1
- D415,262 S \* 10/1999 Garza ..... D23/292
- D434,124 S \* 11/2000 McKeone ..... D23/284

\* cited by examiner

*Primary Examiner*—Louis S. Zarfaz  
*Assistant Examiner*—Robert A. Delehanty  
(74) *Attorney, Agent, or Firm*—Hogan & Hartson L.L.P.

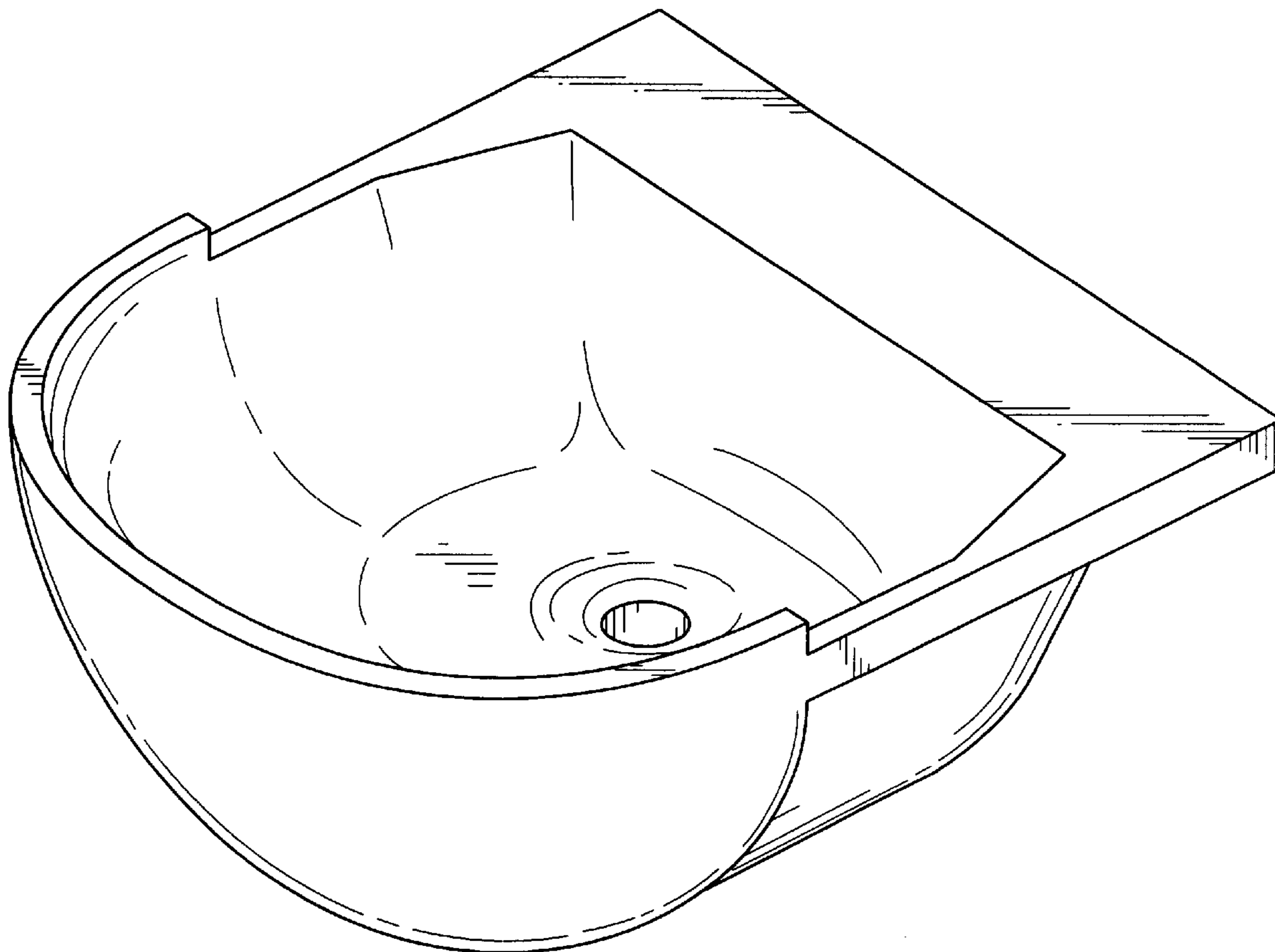
(57) **CLAIM**

The design for basin, as shown and described.

**DESCRIPTION**

FIG. 1 is a perspective view of a basin of the present invention, taken from above.  
FIG. 2 is a front elevation of the basin show in FIG. 1.  
FIG. 3 is a rear elevation of the basin show in FIG. 1.  
FIG. 4 is a right side elevation of the basin show in FIG. 1.  
FIG. 5 is a left side elevation of the basin show in FIG. 1.  
FIG. 6 is a top view of the basin show in FIG. 1; and,  
FIG. 7 is a bottom view of the basin show in FIG. 1.

**1 Claim, 5 Drawing Sheets**



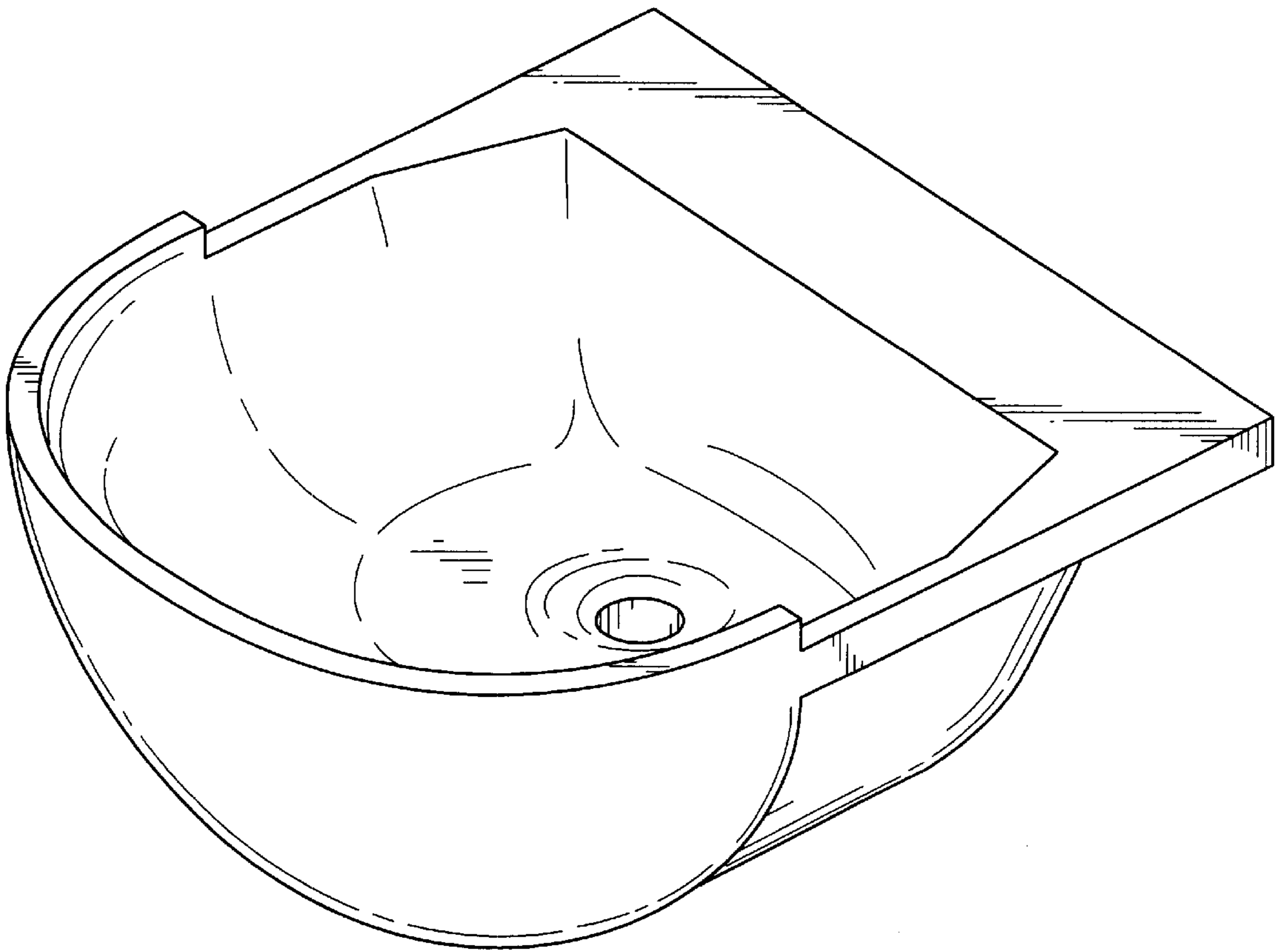


FIG.1

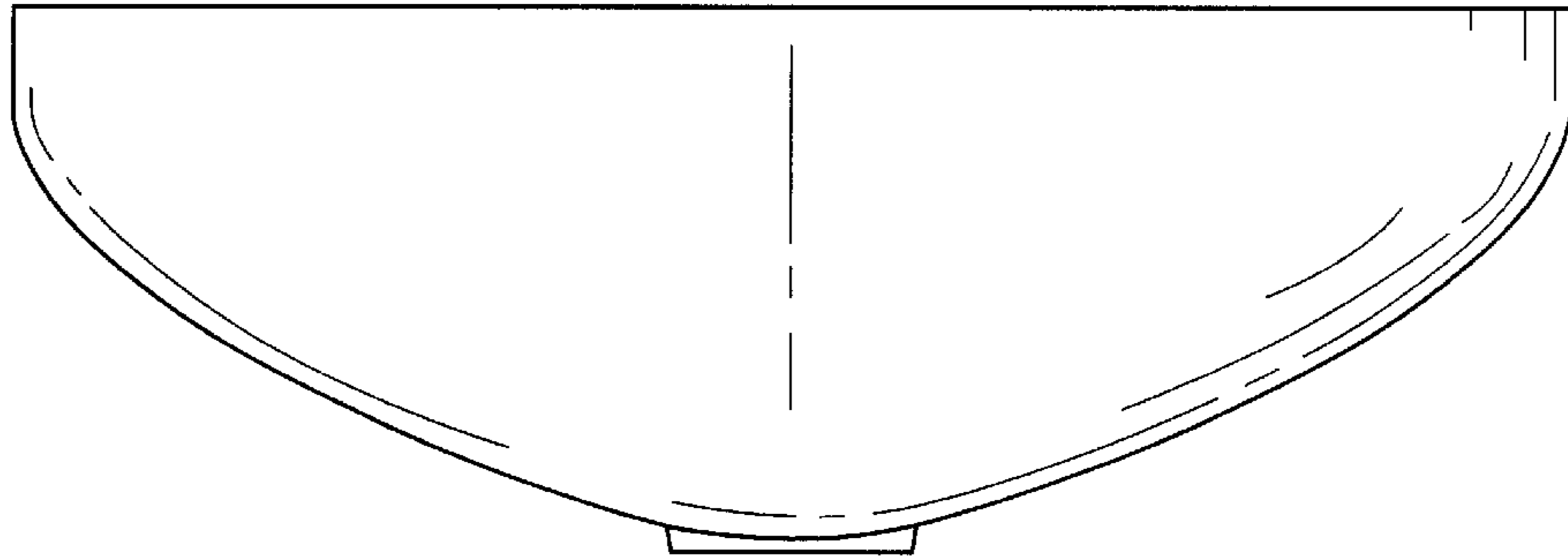


FIG. 2

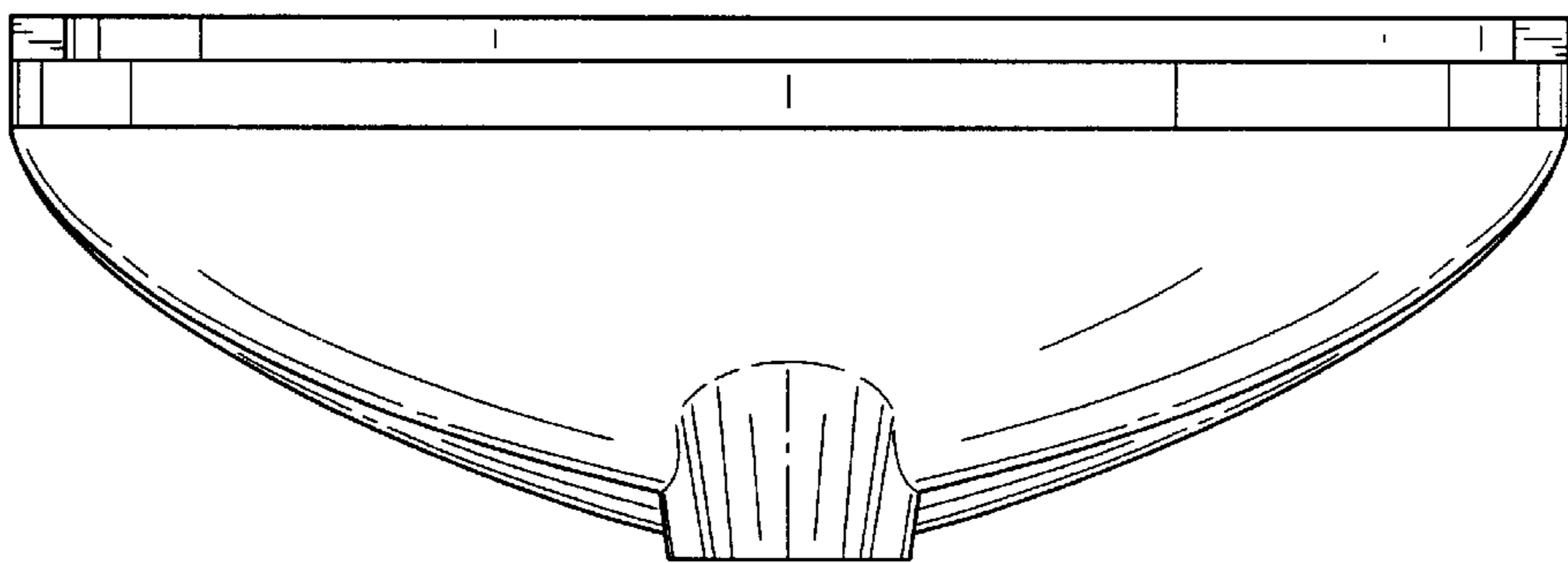


FIG. 3

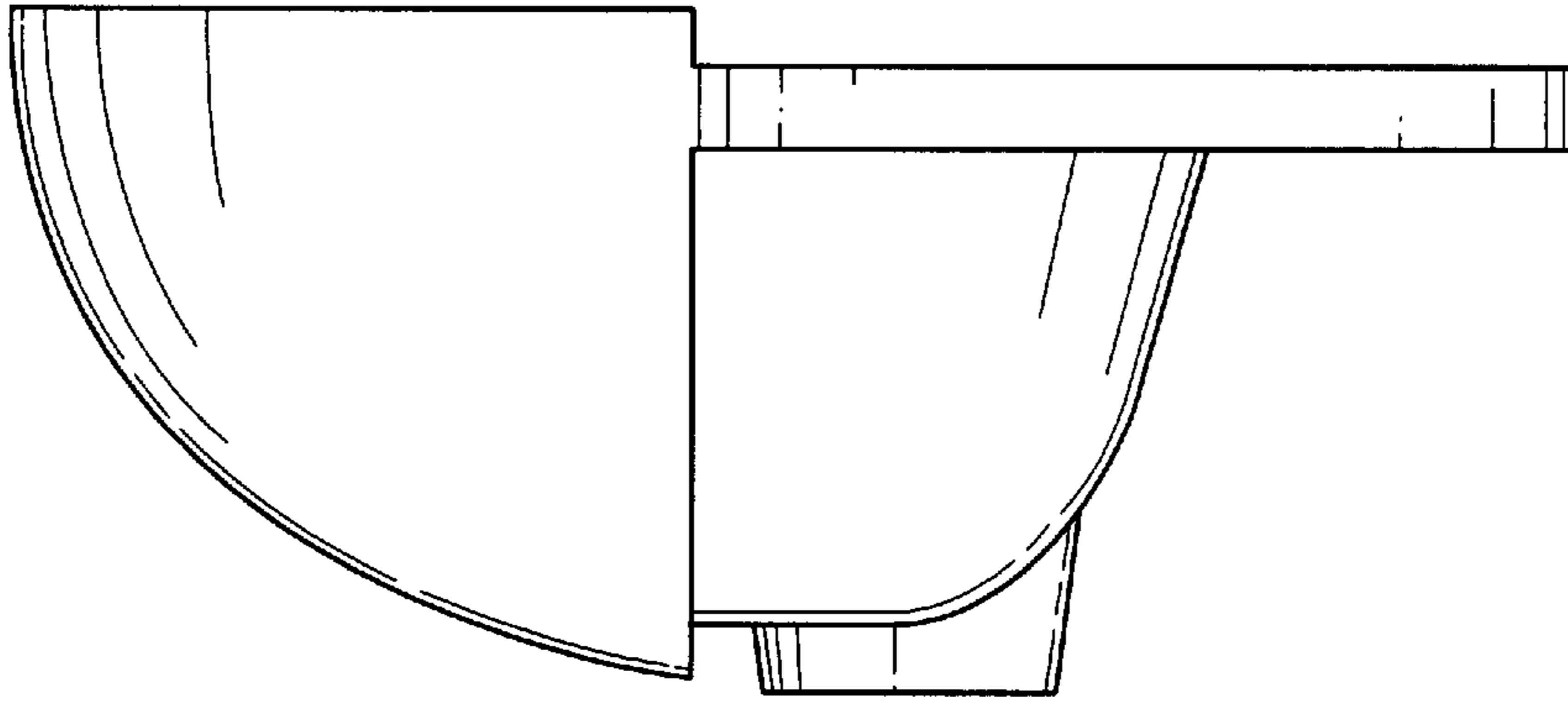


FIG. 4

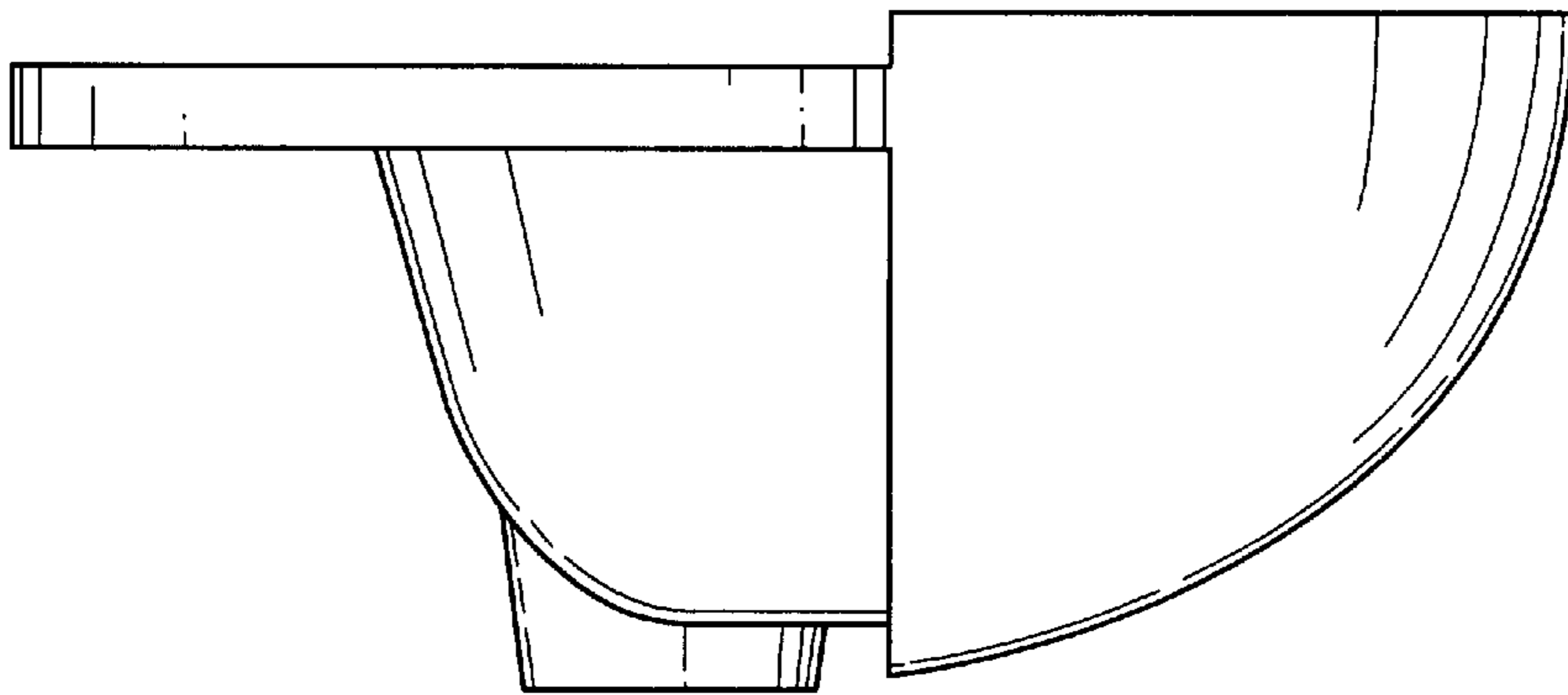


FIG. 5

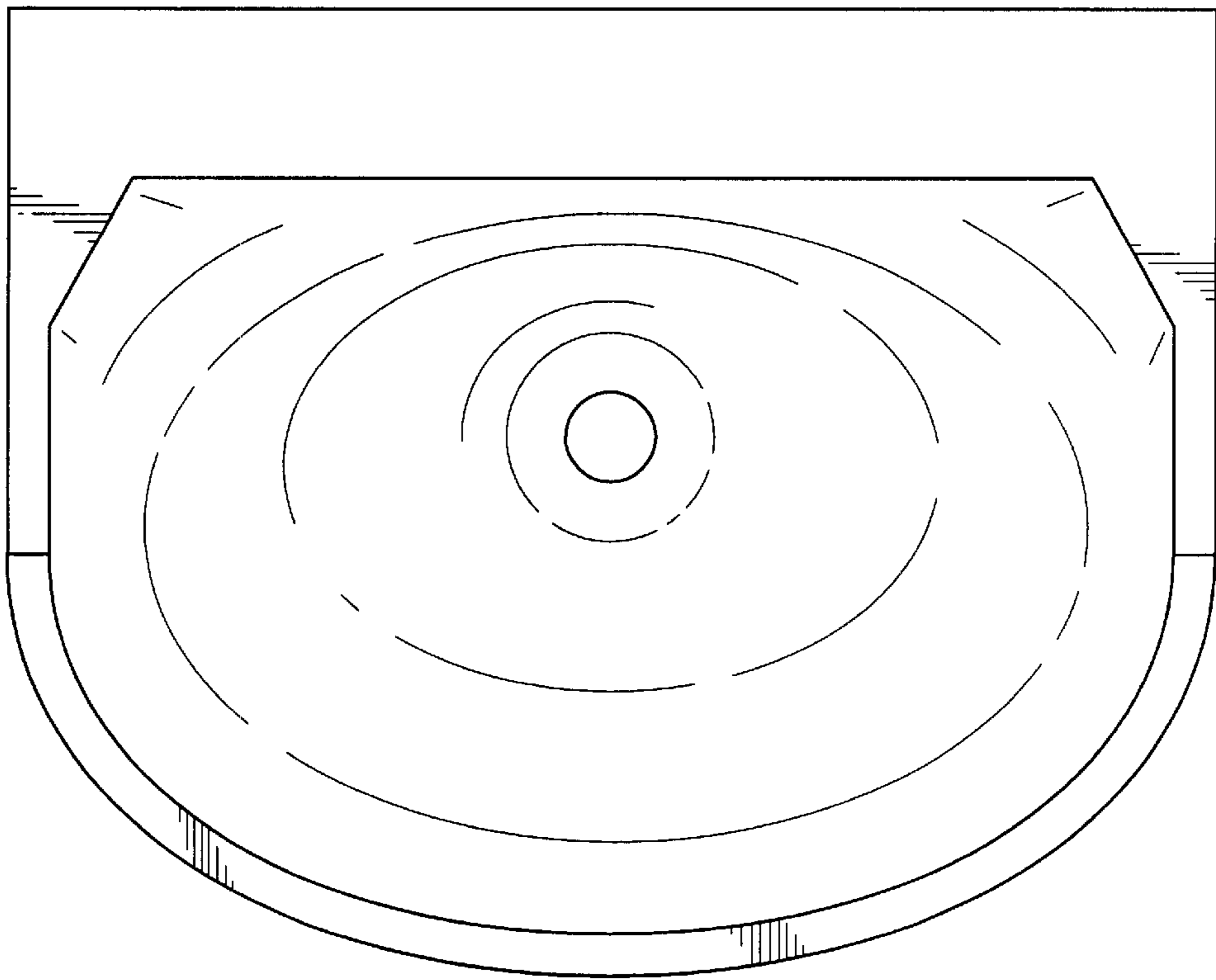


FIG.6

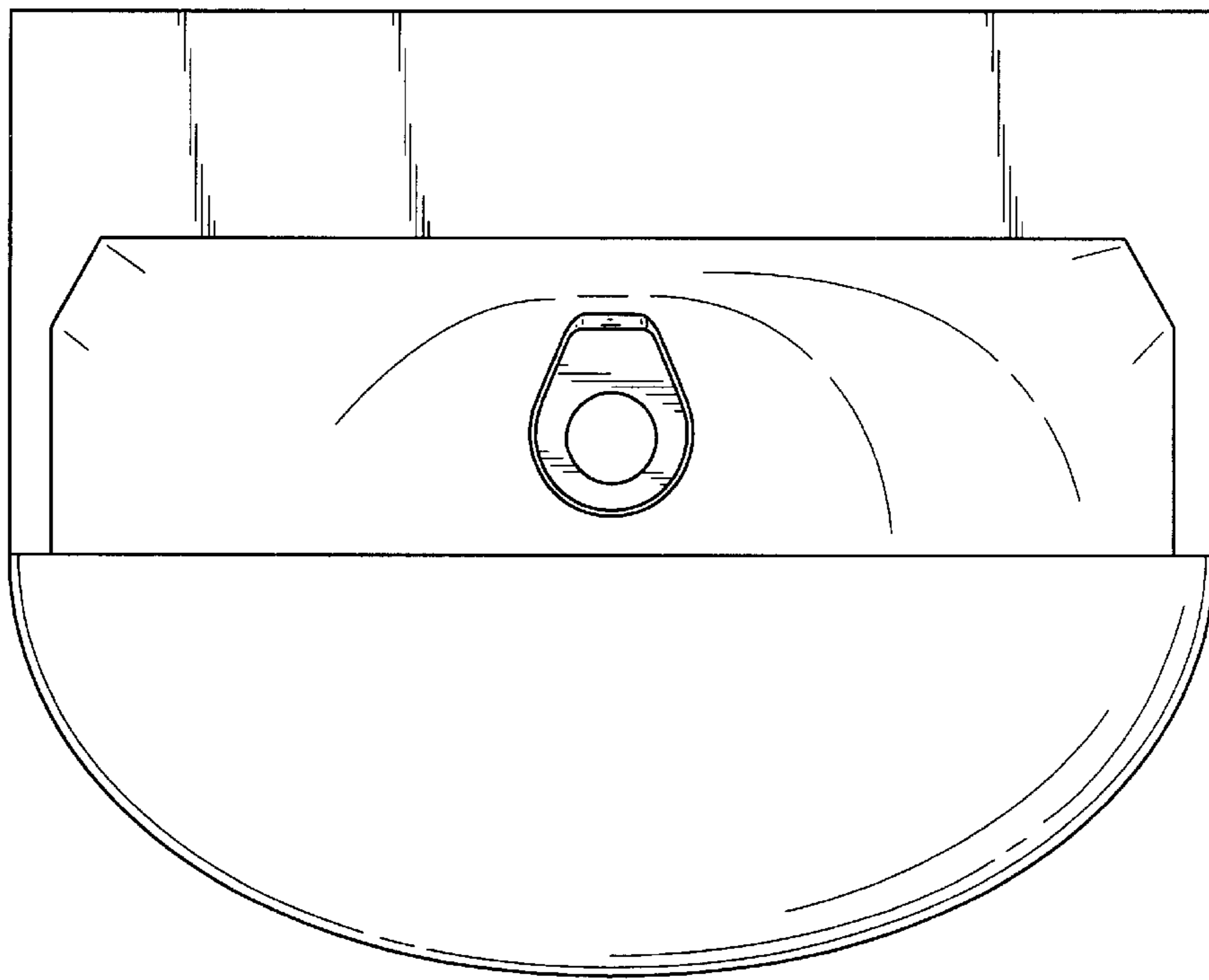


FIG.7