



US00D474528S

(12) **United States Design Patent**
Huang

(10) **Patent No.:** **US D474,528 S**

(45) **Date of Patent:** **** May 13, 2003**

(54) **SPRAY GUN**

D305,452 S * 1/1990 Morgan D23/225
D459,438 S * 6/2002 Knowles D23/225

(76) Inventor: **Tiao-Hsiang Huang**, No. 190, Chung Cheng Rd., Shin Chuang City, Taipei Hsien (TW)

* cited by examiner

(**) Term: **14 Years**

Primary Examiner—Robin V. Taylor

(74) *Attorney, Agent, or Firm*—Rosenberg, Klein & Lee

(21) Appl. No.: **29/169,189**

(57) **CLAIM**

(22) Filed: **Oct. 17, 2002**

The ornamental design for a spray gun, as shown and described.

(51) **LOC (7) Cl.** **23-01**

DESCRIPTION

(52) **U.S. Cl.** **D23/225; D23/226**

(58) **Field of Search** D23/213, 225,
D23/226, 223; 239/302, 690, 398, 310,
316; 222/325

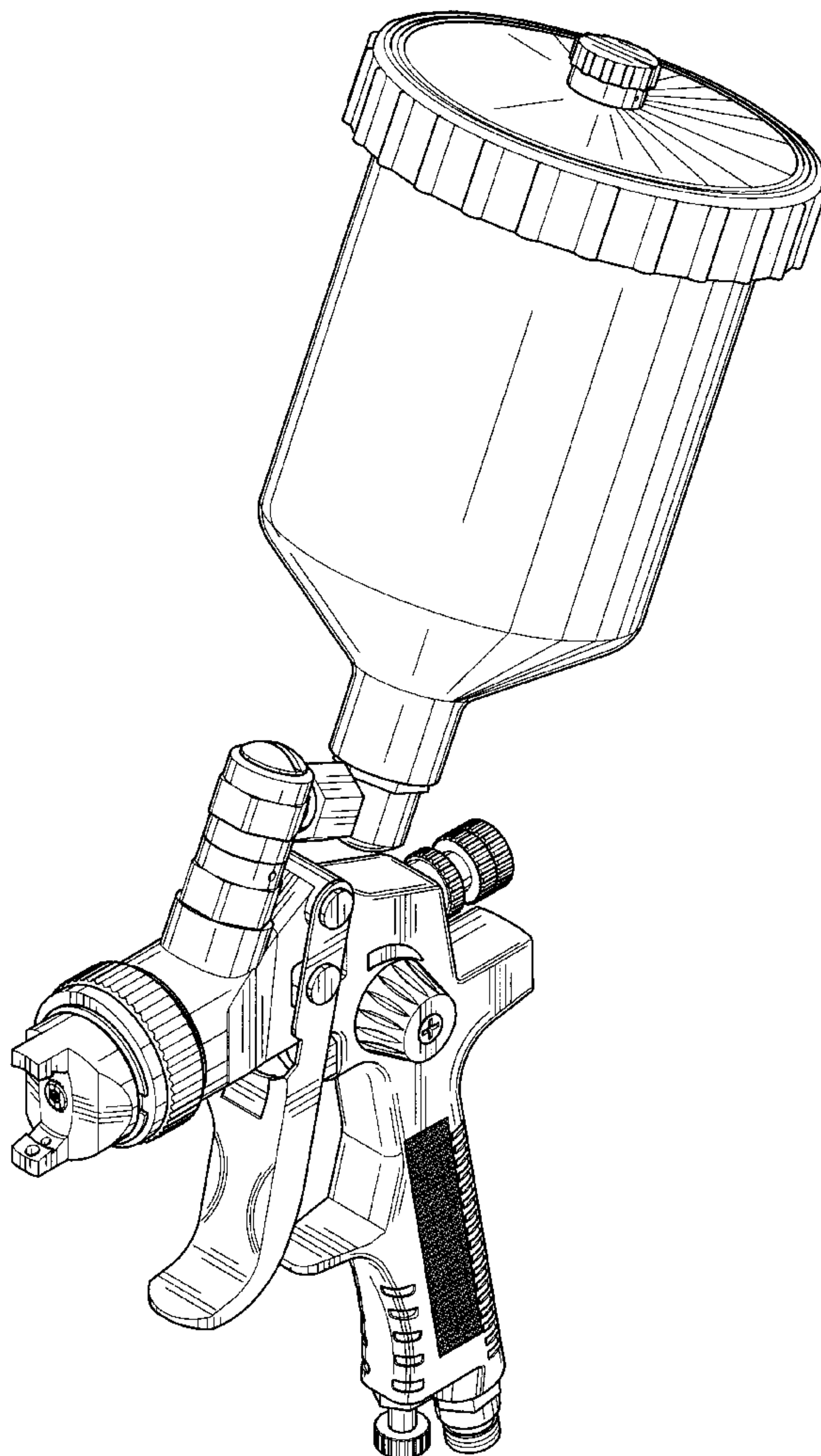
FIG. 1 is a perspective view of a spray gun showing my present design;
FIG. 2 is a front view thereof;
FIG. 3 is a rear view thereof;
FIG. 4 is a left view thereof;
FIG. 5 is a right view thereof;
FIG. 6 is a top plan view thereof; and,
FIG. 7 is a bottom plan view.

(56) **References Cited**

U.S. PATENT DOCUMENTS

2,051,518 A * 8/1936 Cunningham 239/302
D270,367 S * 8/1983 Grime D23/225
D285,477 S * 9/1986 Hengesbach D23/225

1 Claim, 6 Drawing Sheets



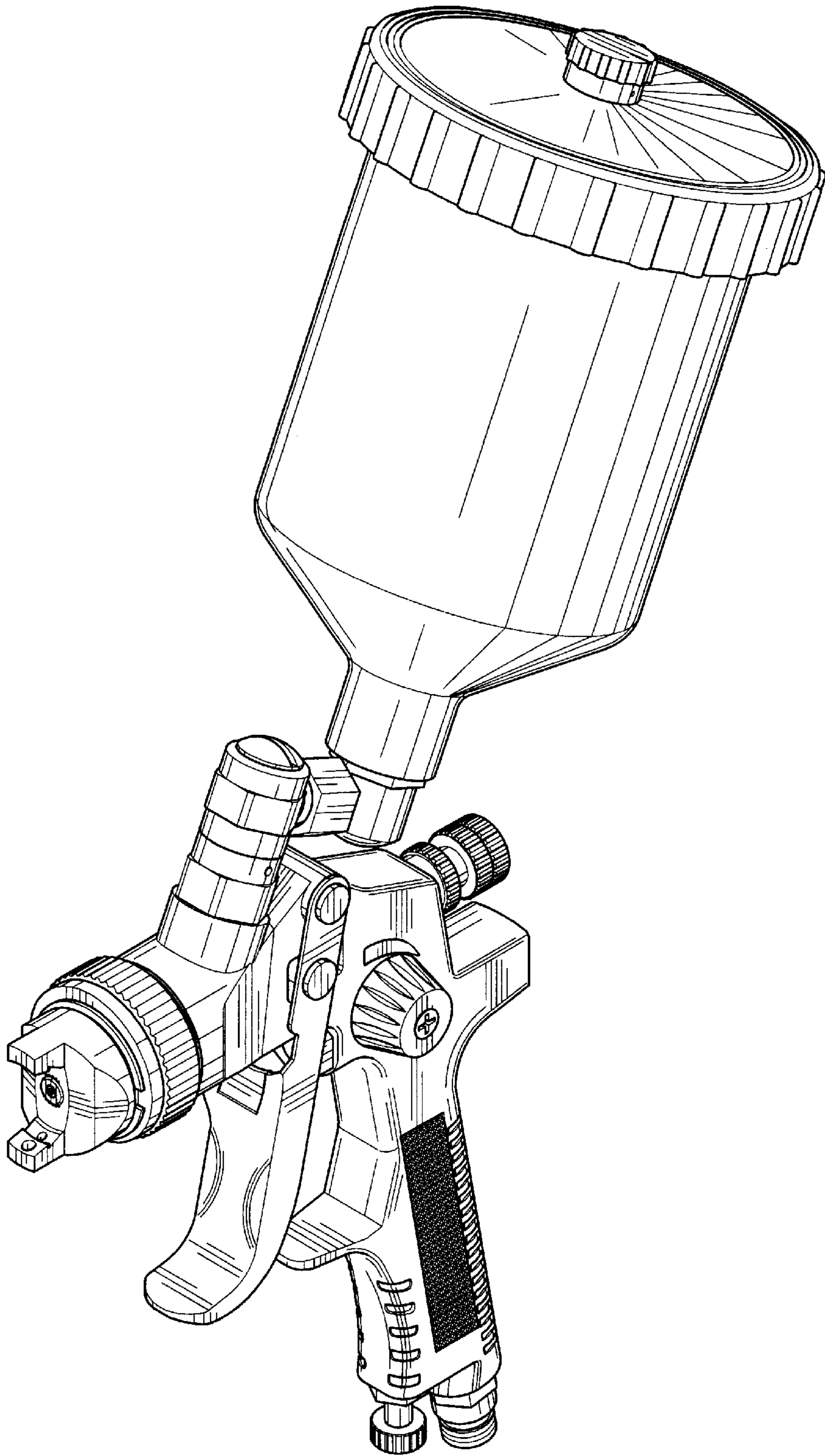


FIG. 1

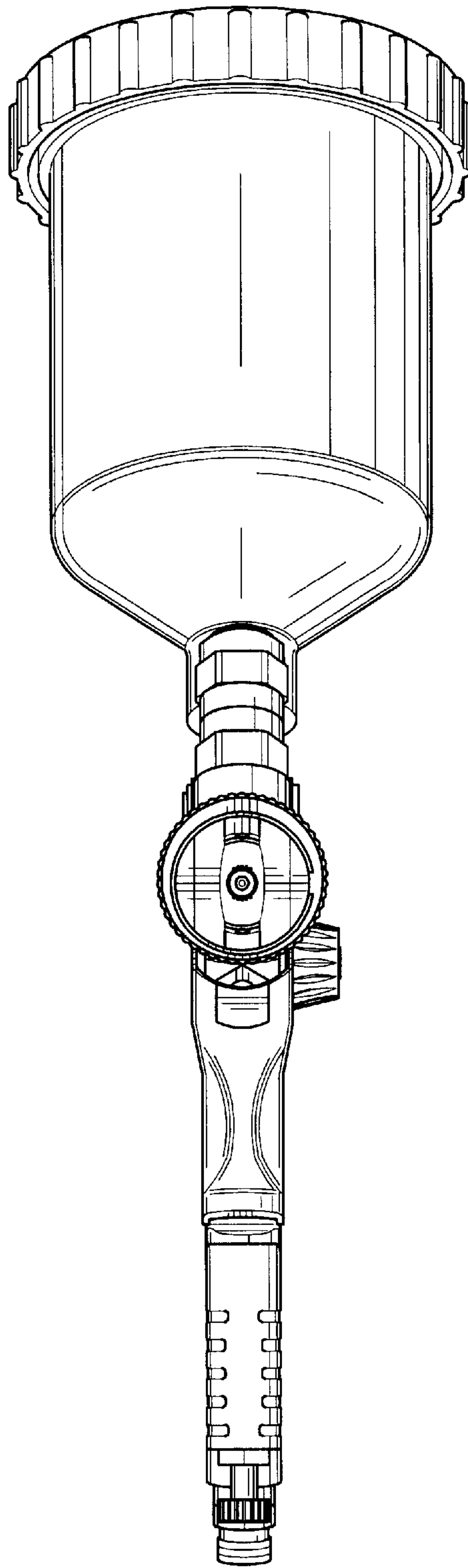


FIG. 2

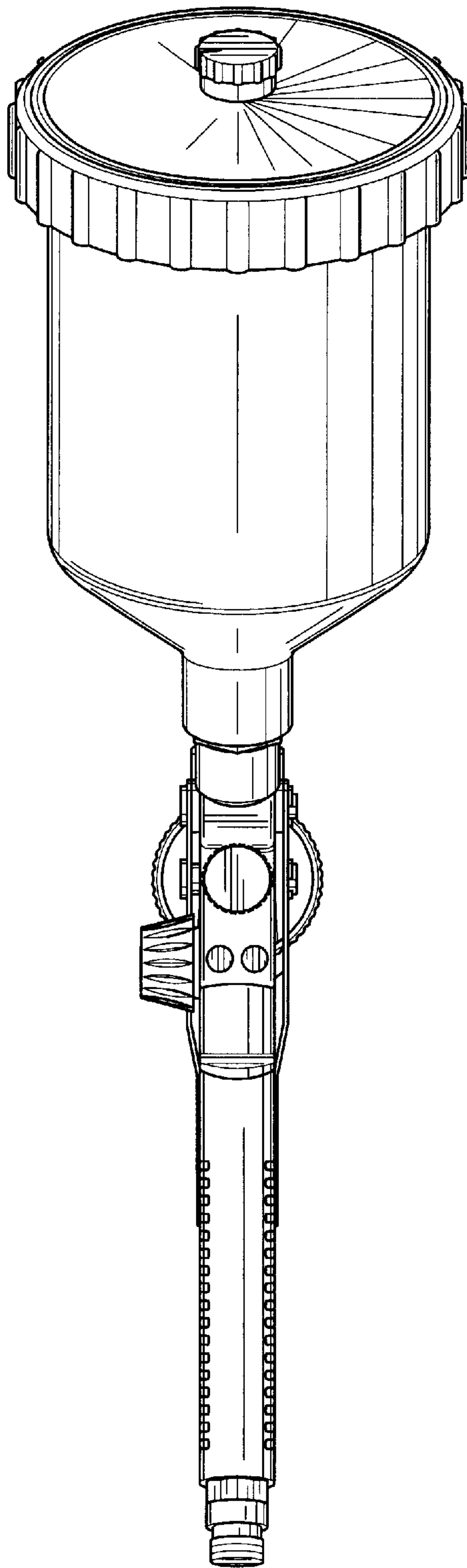


FIG. 3

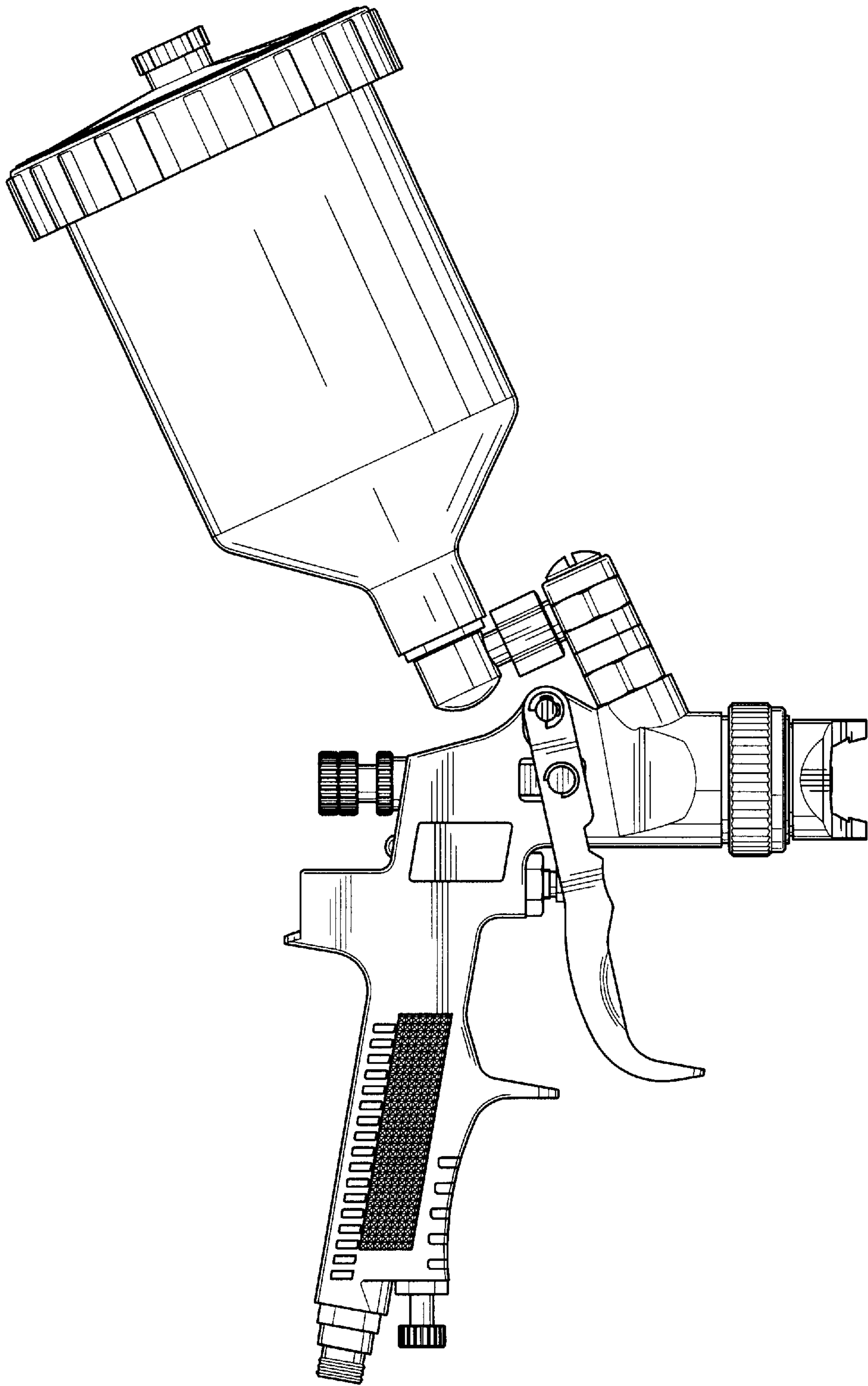


FIG. 4

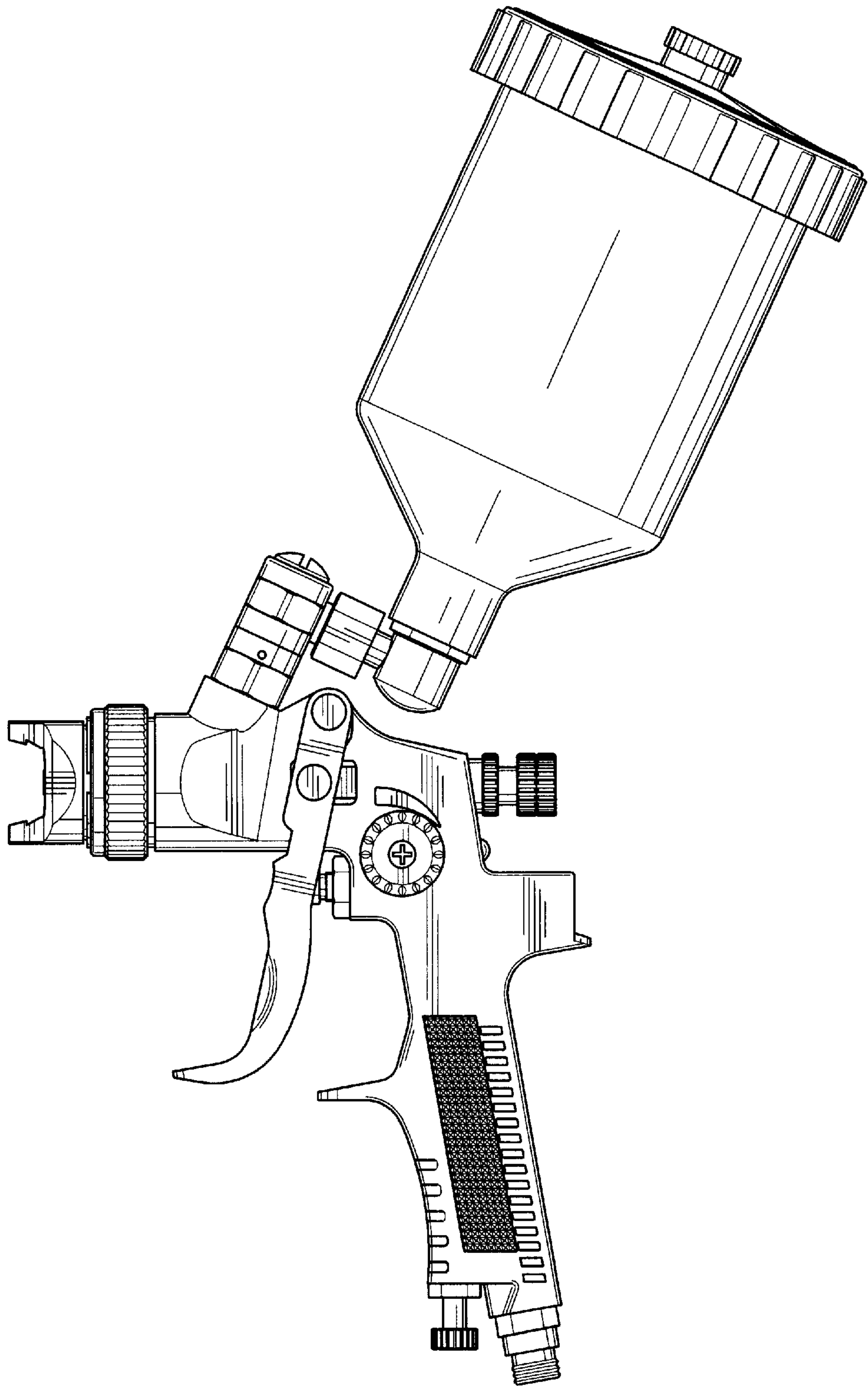


FIG. 5

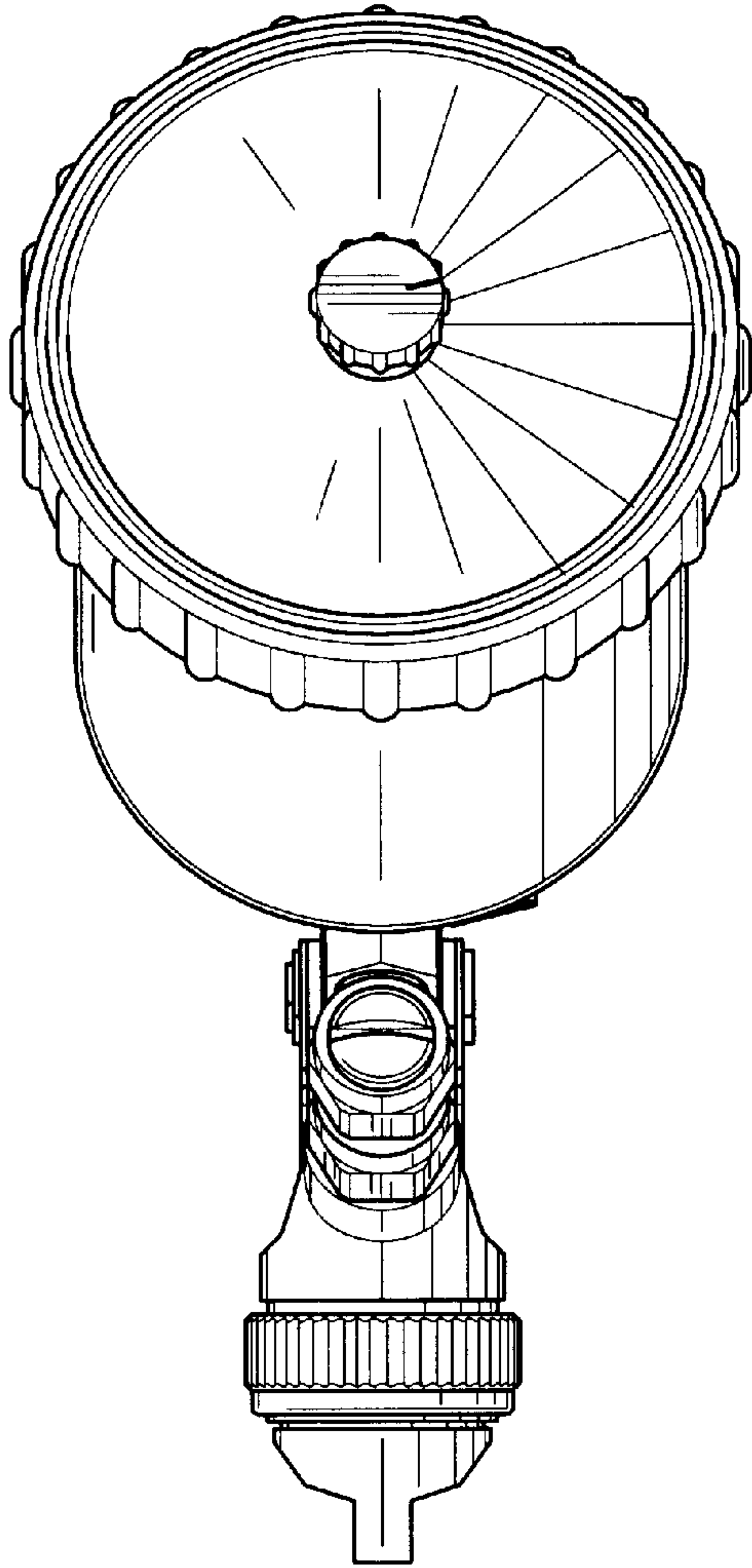


FIG. 6

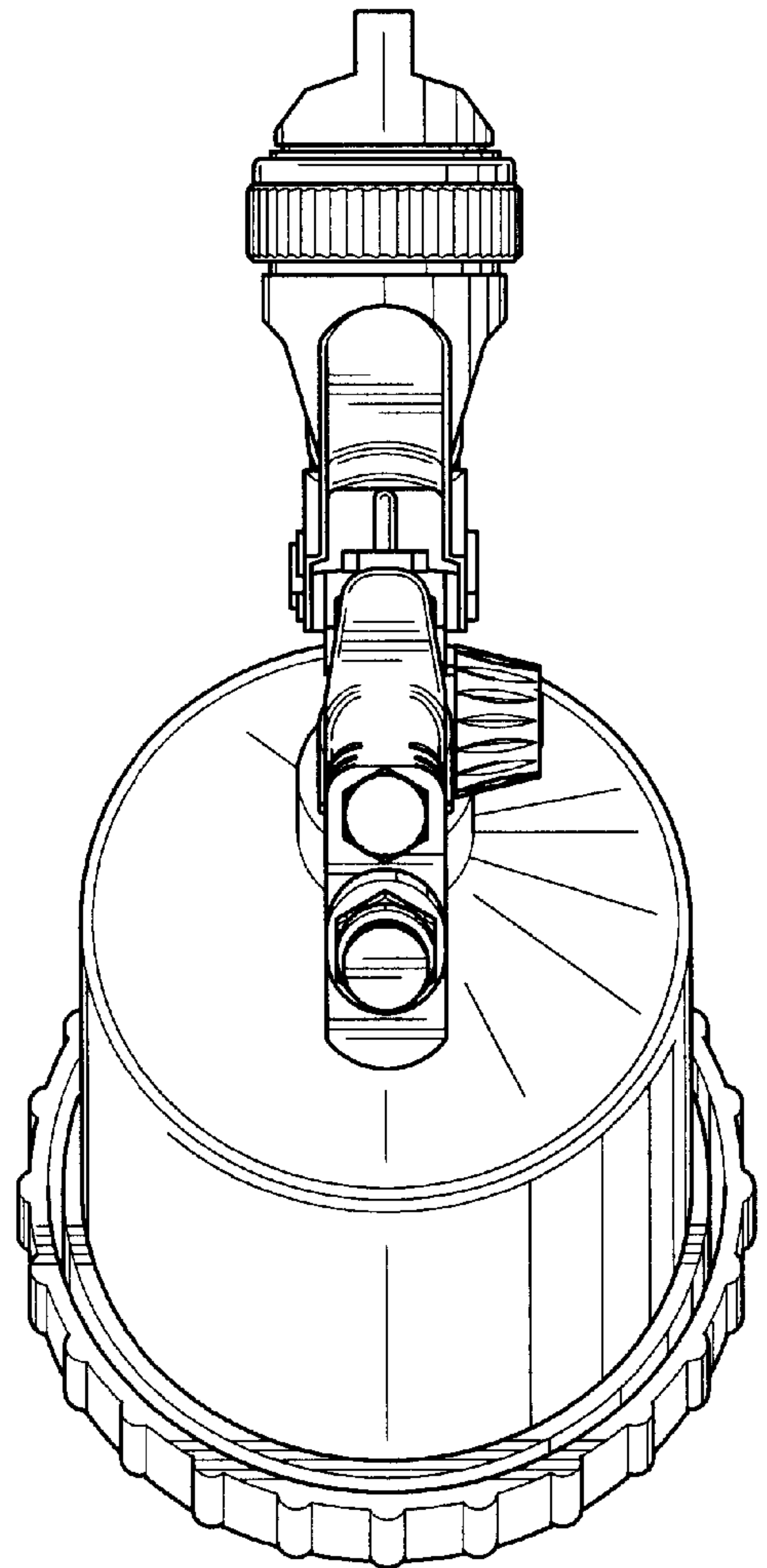


FIG. 7