



US00D474527S

(12) **United States Design Patent**
Mayer

(10) **Patent No.:** **US D474,527 S**

(45) **Date of Patent:** **** May 13, 2003**

(54) **HOLDER FOR A FILTER FOR AN AQUARIUM**

D432,206 S * 10/2000 Stoltz et al. D23/209
6,443,314 B2 * 9/2002 Shiraiwa et al. 210/474

(75) Inventor: **Ferdinand Mayer**, Oberboihingen (DE)

* cited by examiner

(73) Assignee: **Eheim GmbH & Co. KG**, Deizisau (DE)

Primary Examiner—Robin V. Taylor

(74) *Attorney, Agent, or Firm*—Kenyon & Kenyon

(**) Term: **14 Years**

(57) **CLAIM**

(21) Appl. No.: **29/164,544**

The ornamental design for a holder for a filter for an aquarium, as shown and described.

(22) Filed: **Jul. 26, 2002**

DESCRIPTION

(30) **Foreign Application Priority Data**

Jan. 26, 2002 (DE) 402 00 630

(51) **LOC (7) Cl.** **23-01**

(52) **U.S. Cl.** **D23/210**

(58) **Field of Search** D23/207, 209,
D23/210; 210/169, 416.2

FIG. 1 is a front perspective view of a holder for a filter for an aquarium showing my new design;

FIG. 2 is a front view thereof;

FIG. 3 is a rear view thereof;

FIG. 4 is a top view thereof, the bottom view thereof being identical to the top view;

FIG. 5 is a left side view thereof, the right side view thereof being identical to the left side view; and,

FIG. 6 is a rear perspective view thereof.

The logo shown in broken lines in the Figures is for illustrative purposes only and forms no part of the claimed design.

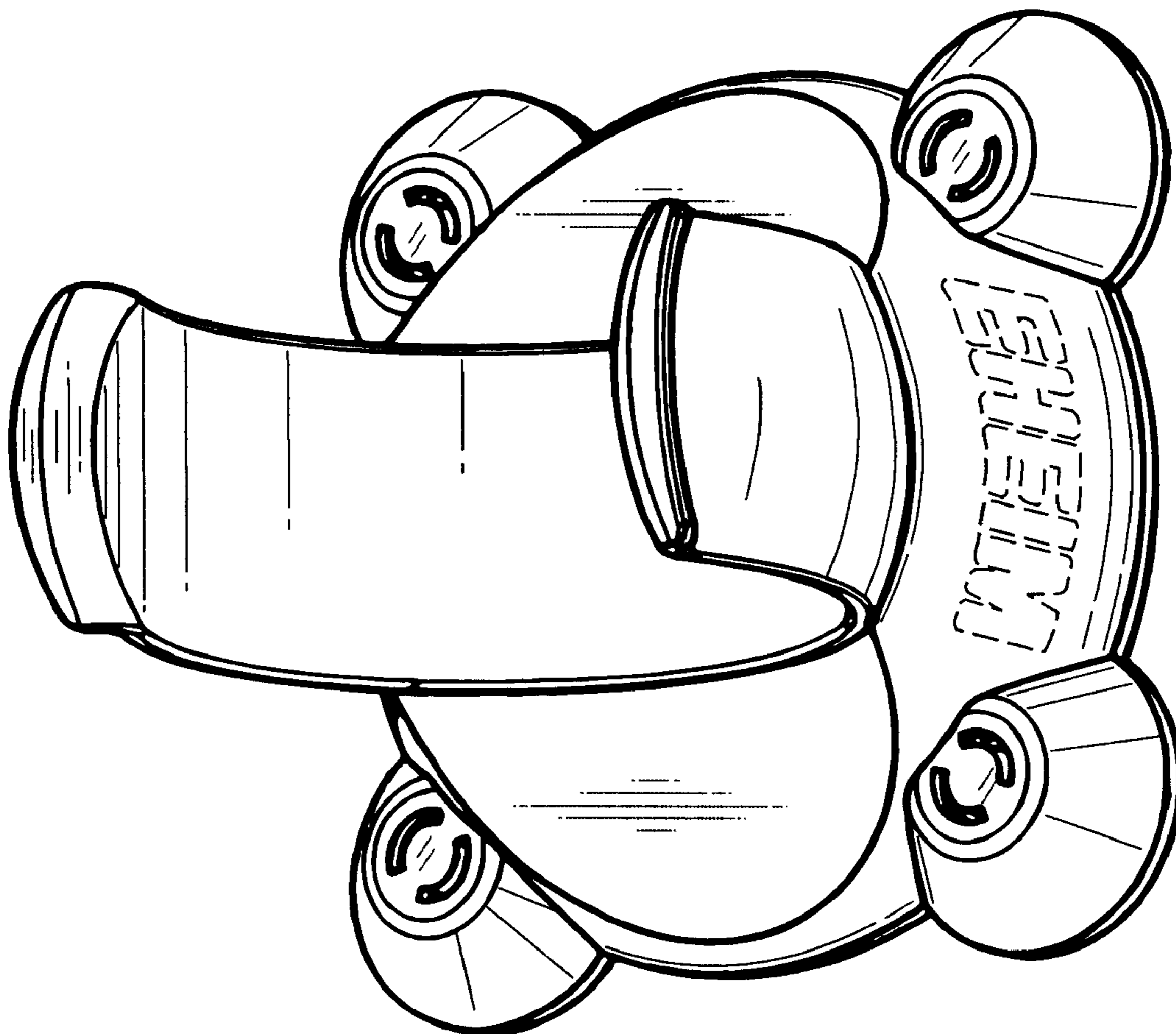
(56) **References Cited**

U.S. PATENT DOCUMENTS

D246,724 S * 12/1977 Willinger D23/210

D428,109 S * 7/2000 Mayer D23/210

1 Claim, 6 Drawing Sheets



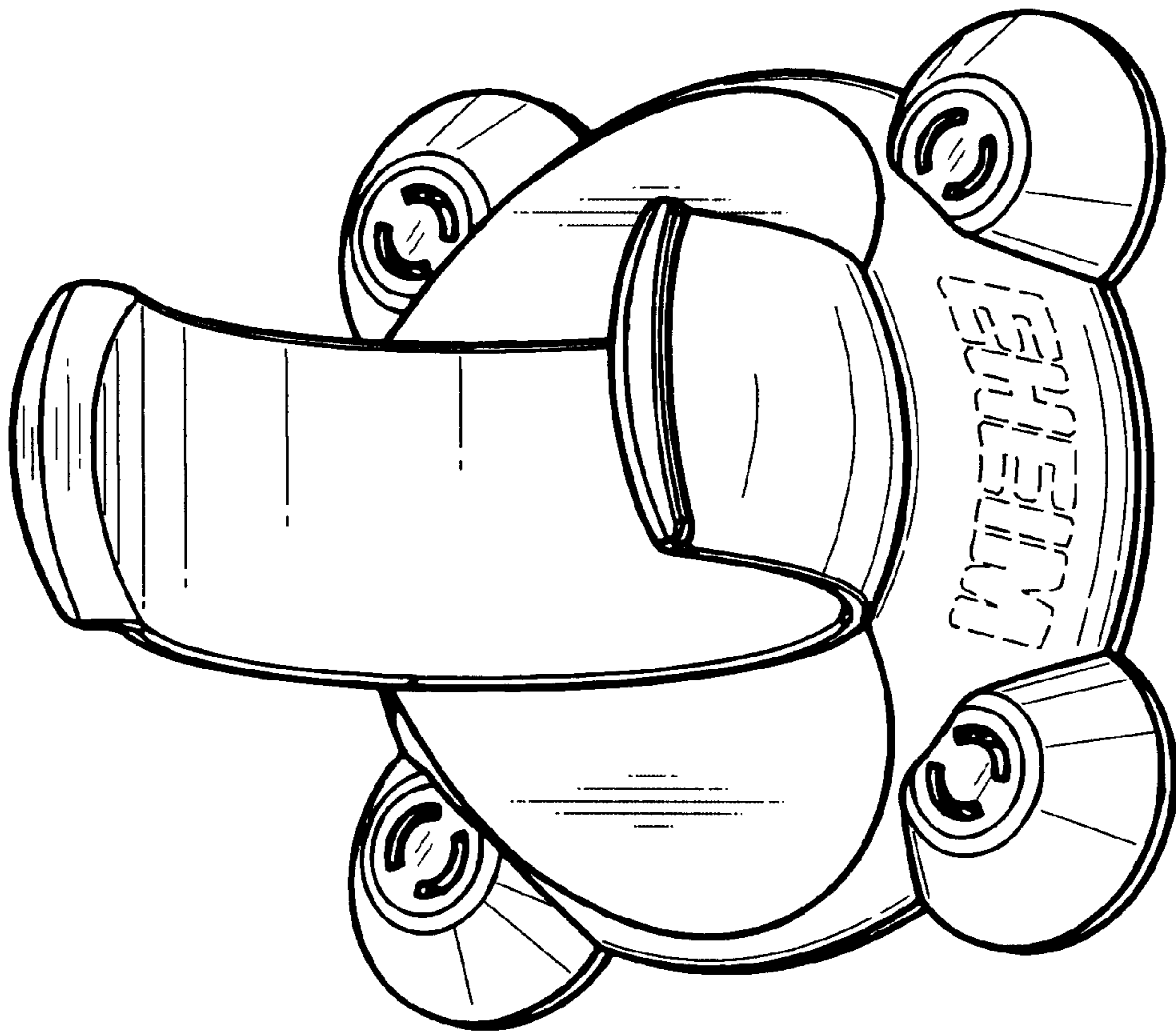


FIG. 1

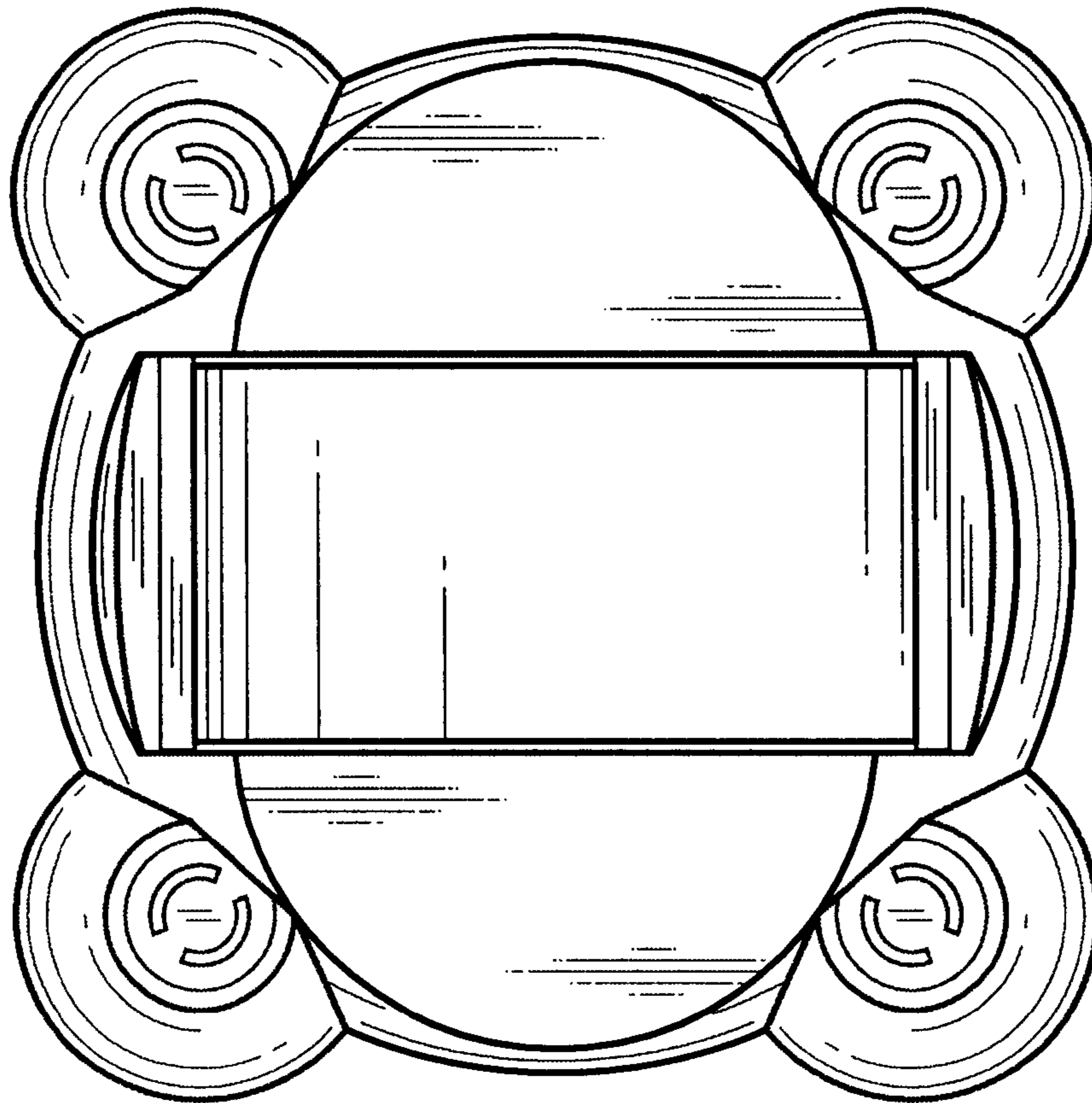


FIG. 2

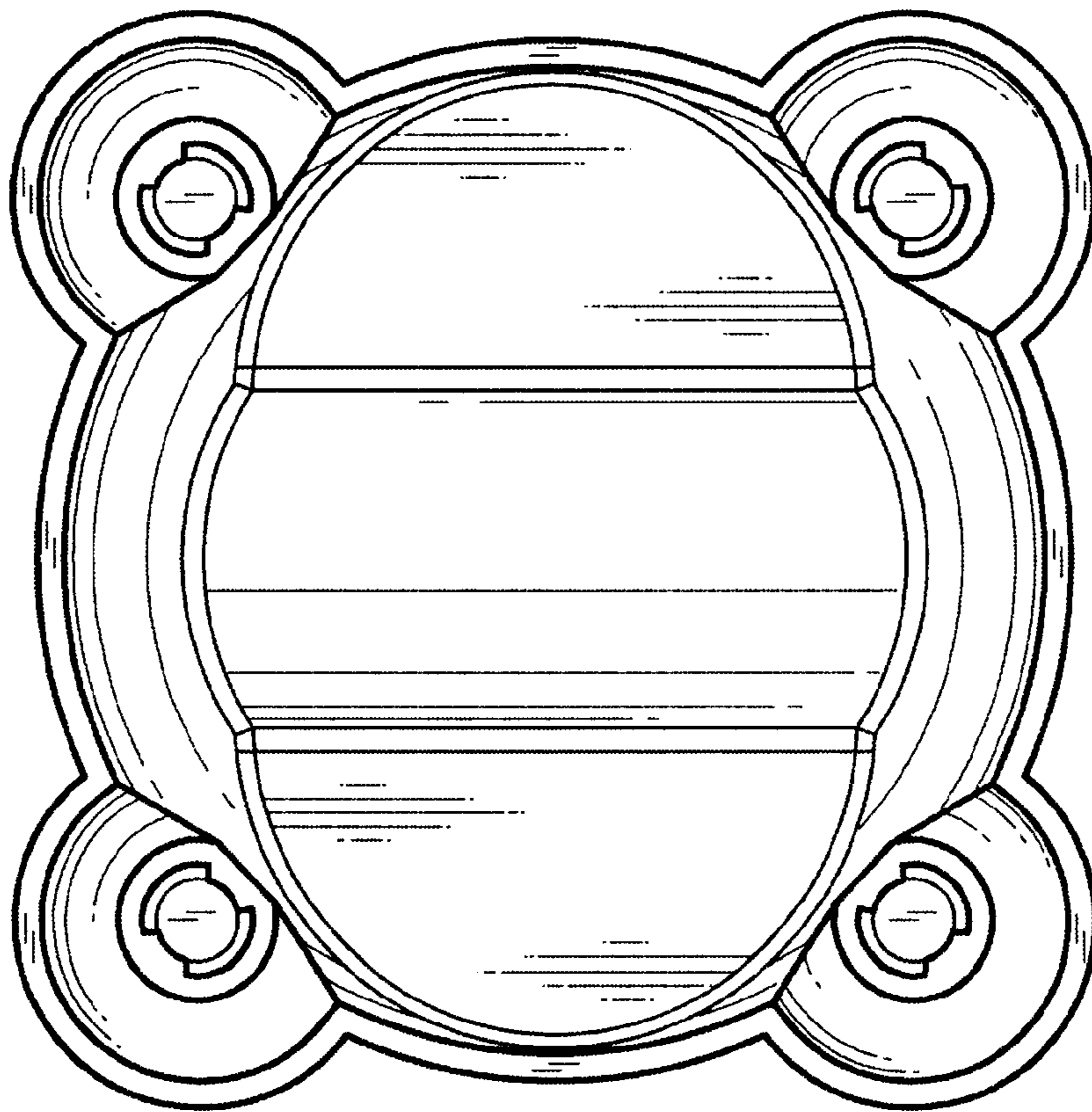


FIG. 3

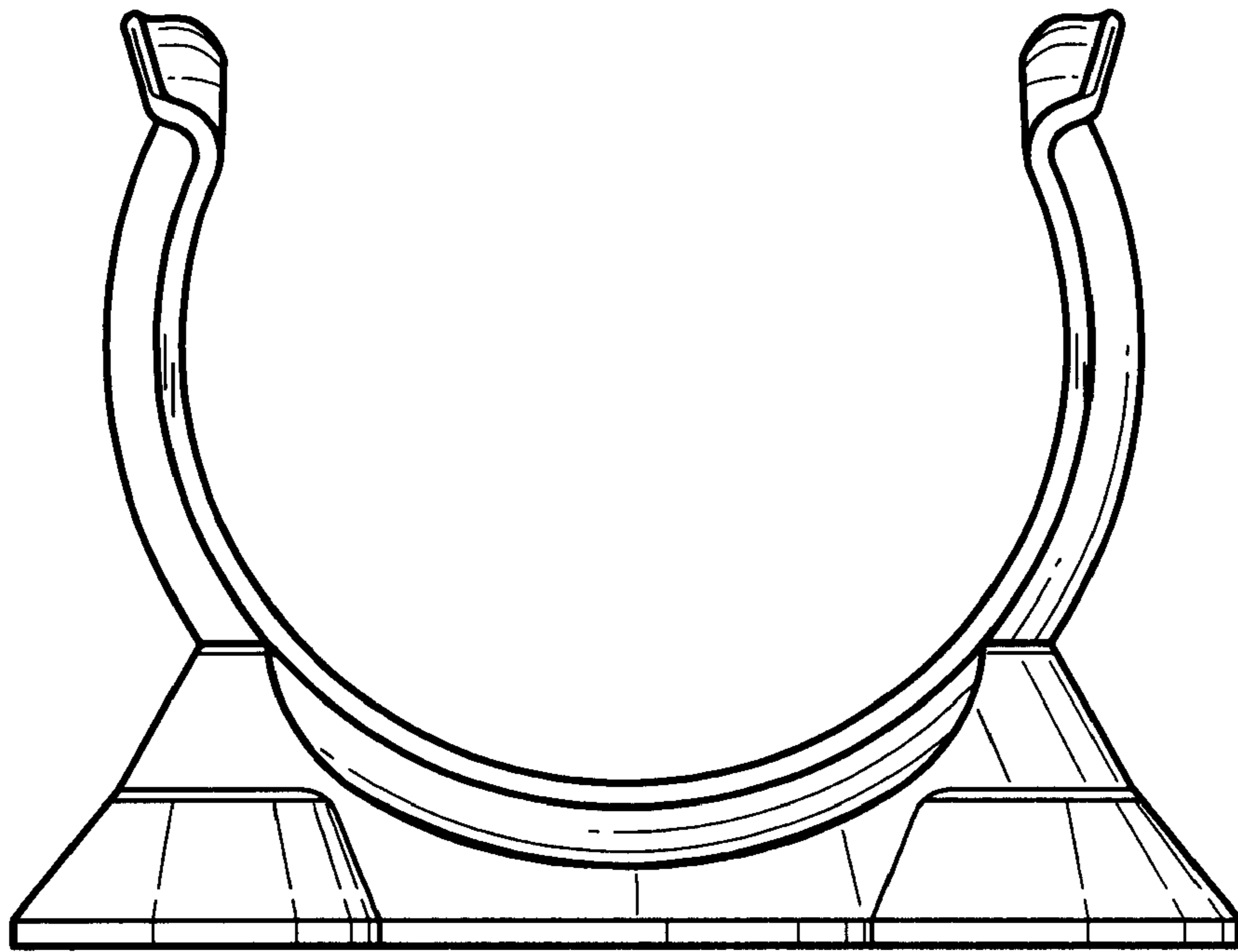


FIG. 4

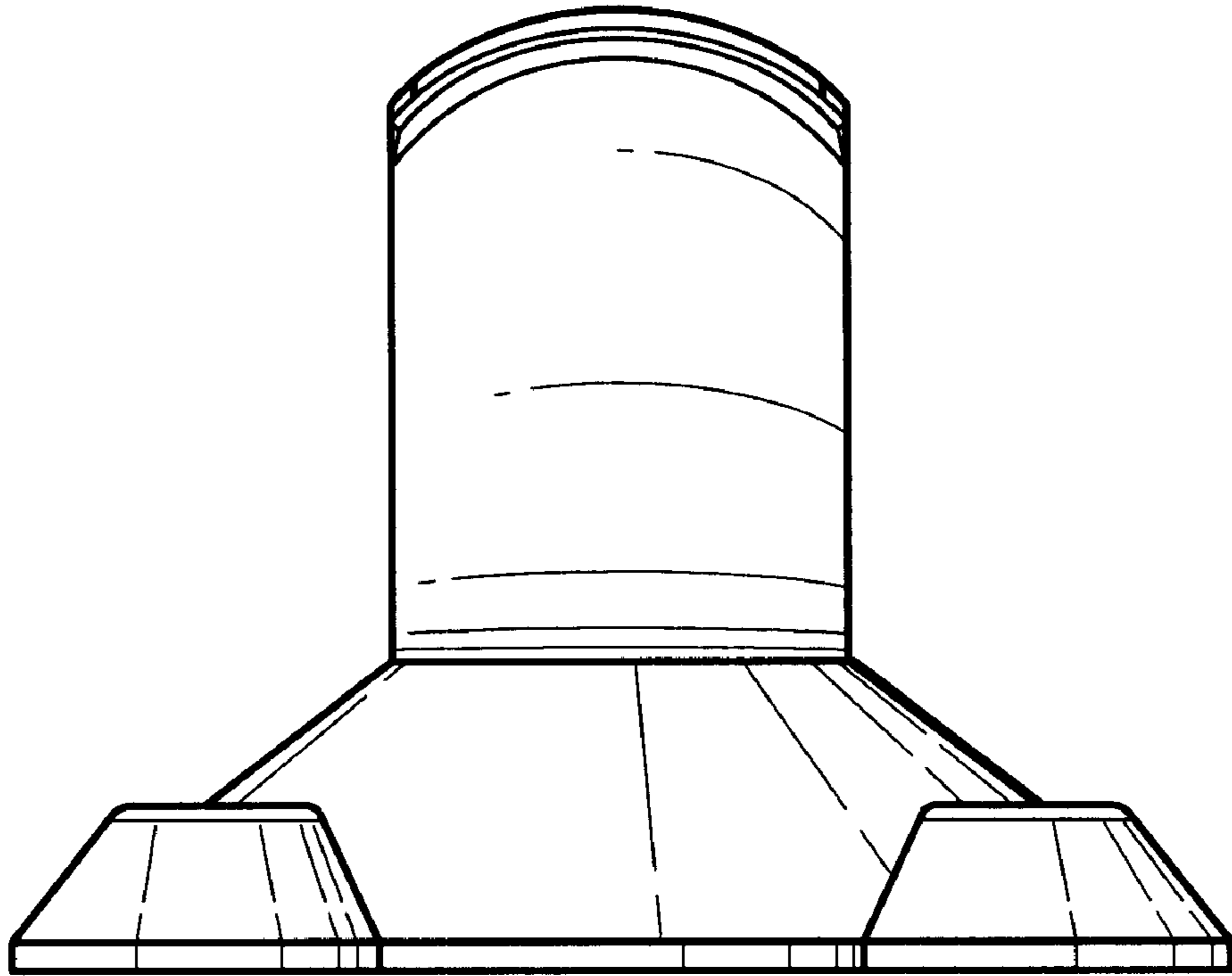


FIG. 5

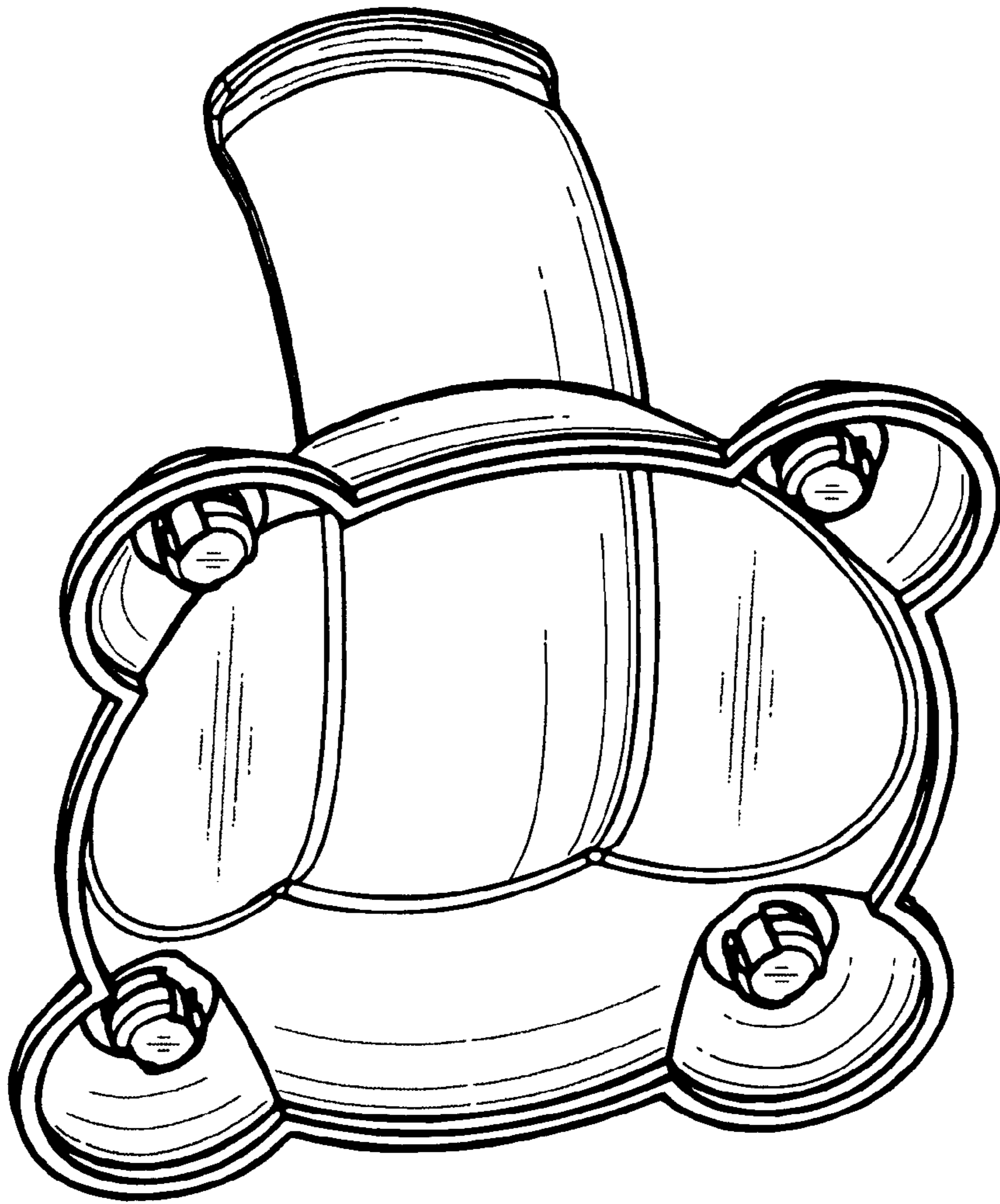


FIG. 6