



US00D474524S

(12) **United States Design Patent**
Benecke

(10) **Patent No.:** **US D474,524 S**

(45) **Date of Patent:** **** May 13, 2003**

(54) **LEACHING CHAMBER**

(75) Inventor: **Arnold G. Benecke**, Wharton, OH (US)

(73) Assignee: **Hancor, Inc.**, Findlay, OH (US)

(**) Term: **14 Years**

(21) Appl. No.: **29/166,403**

(22) Filed: **Aug. 27, 2002**

(51) **LOC (7) Cl.** **23-01**

(52) **U.S. Cl.** **D23/207**

(58) **Field of Search** D23/207, 209;
405/43, 45, 48

(56) **References Cited**

U.S. PATENT DOCUMENTS

4,753,661	A	*	6/1988	Nelson et al.	405/48
5,087,151	A	*	2/1992	DiTullio	405/43
D329,684	S	*	9/1992	Gray	D23/207
5,588,778	A	*	12/1996	Nichols et al.	405/48
6,076,993	A	*	6/2000	Gray	405/43

OTHER PUBLICATIONS

Undated drawing in Applicant's possession of a prior art leaching chamber.

* cited by examiner

Primary Examiner—Robin V. Taylor

(74) *Attorney, Agent, or Firm*—Jones Day

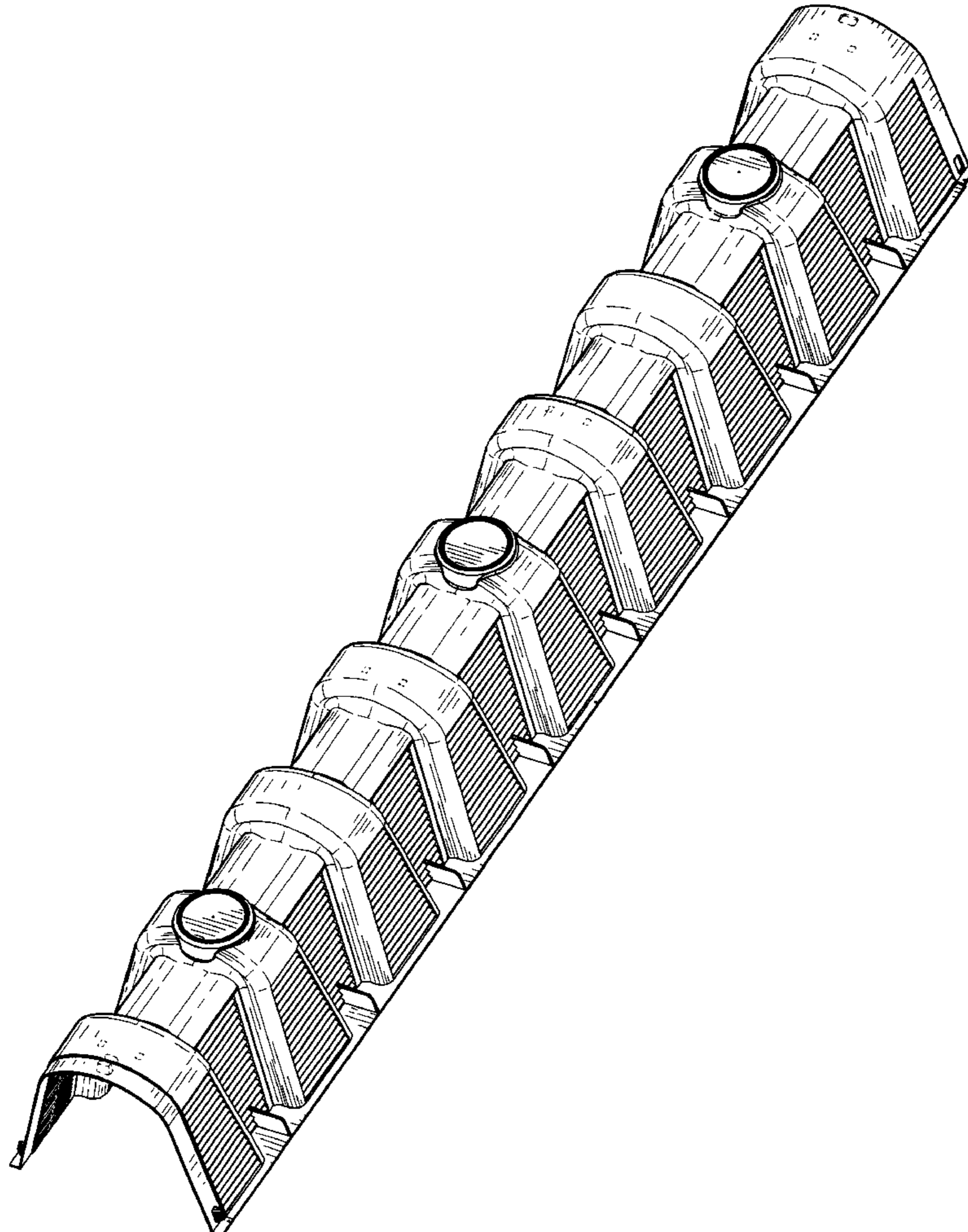
(57) **CLAIM**

We claim the ornamental design for a leaching chamber, as shown and described.

DESCRIPTION

FIG. 1 is a perspective view of a leaching chamber embodying the ornamental design of the present invention; FIG. 2 is a side view of the leaching chamber, the opposite side view being a mirror image; FIG. 3 is a front view of the leaching chamber; FIG. 4 is a rear view of the leaching chamber; FIG. 5 is a top view of the leaching chamber; and, FIG. 6 is a bottom view of the leaching chamber. The broken line showings in FIGS. 1–6 are for illustrative purposes only and form no part of the claimed design.

1 Claim, 3 Drawing Sheets



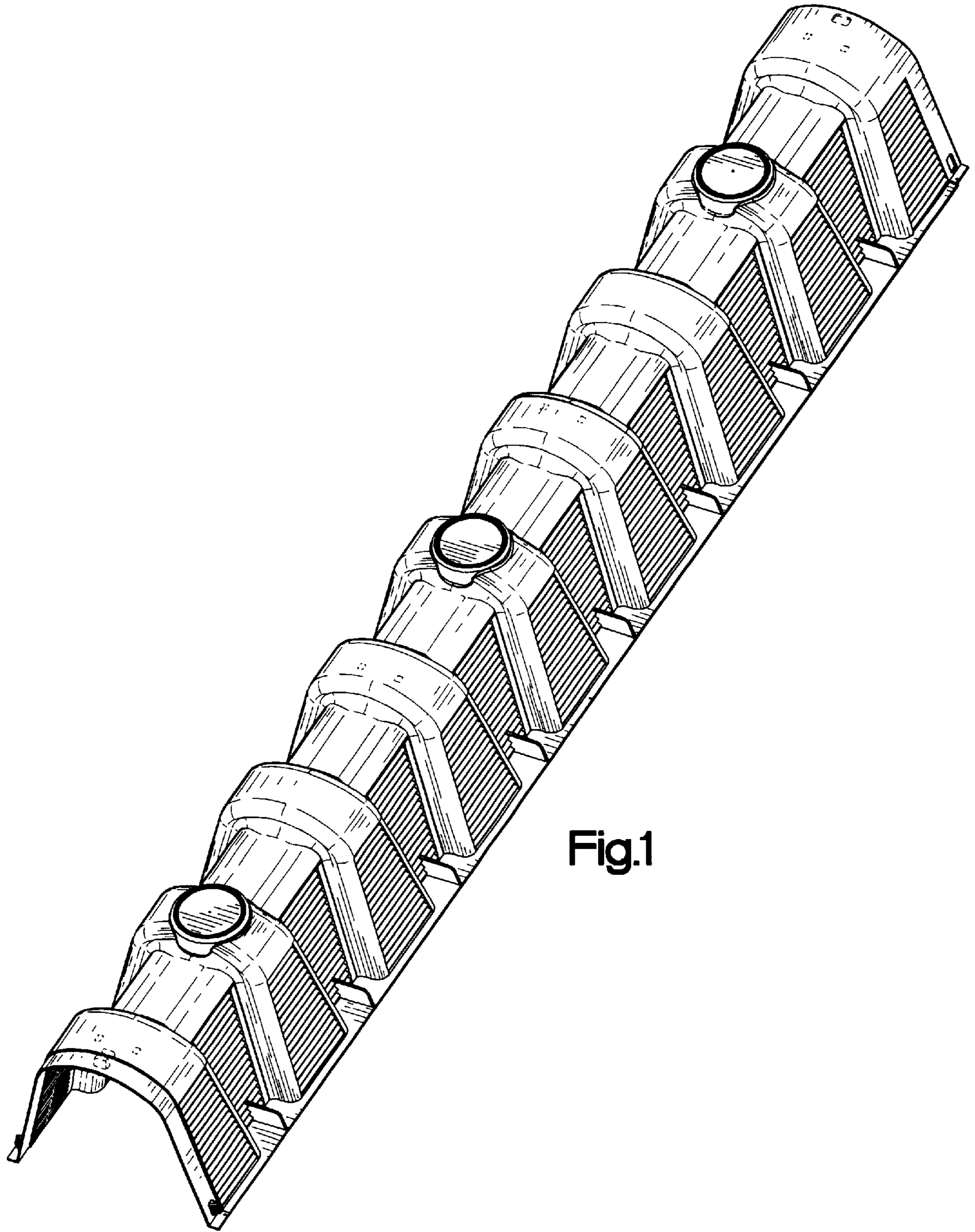


Fig.1

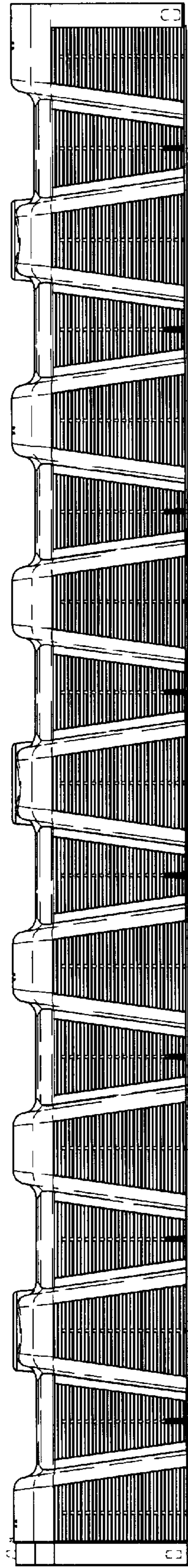


Fig.2

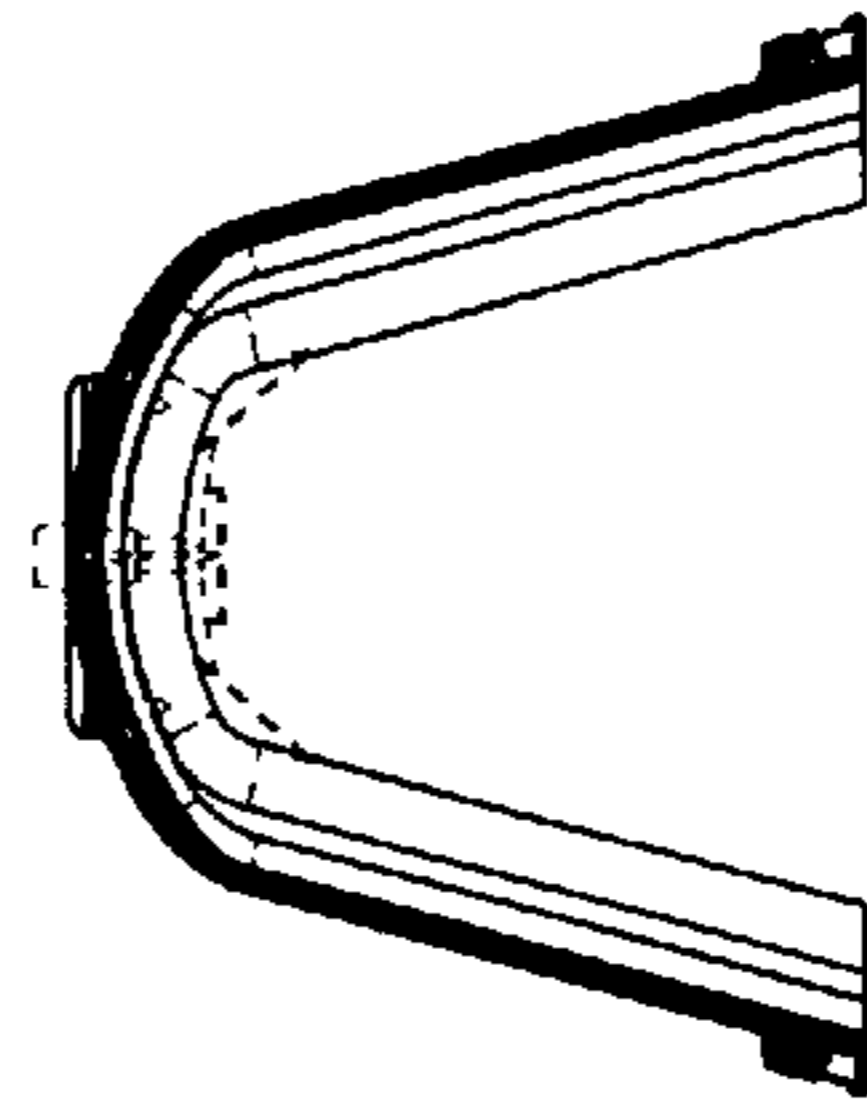


Fig.3

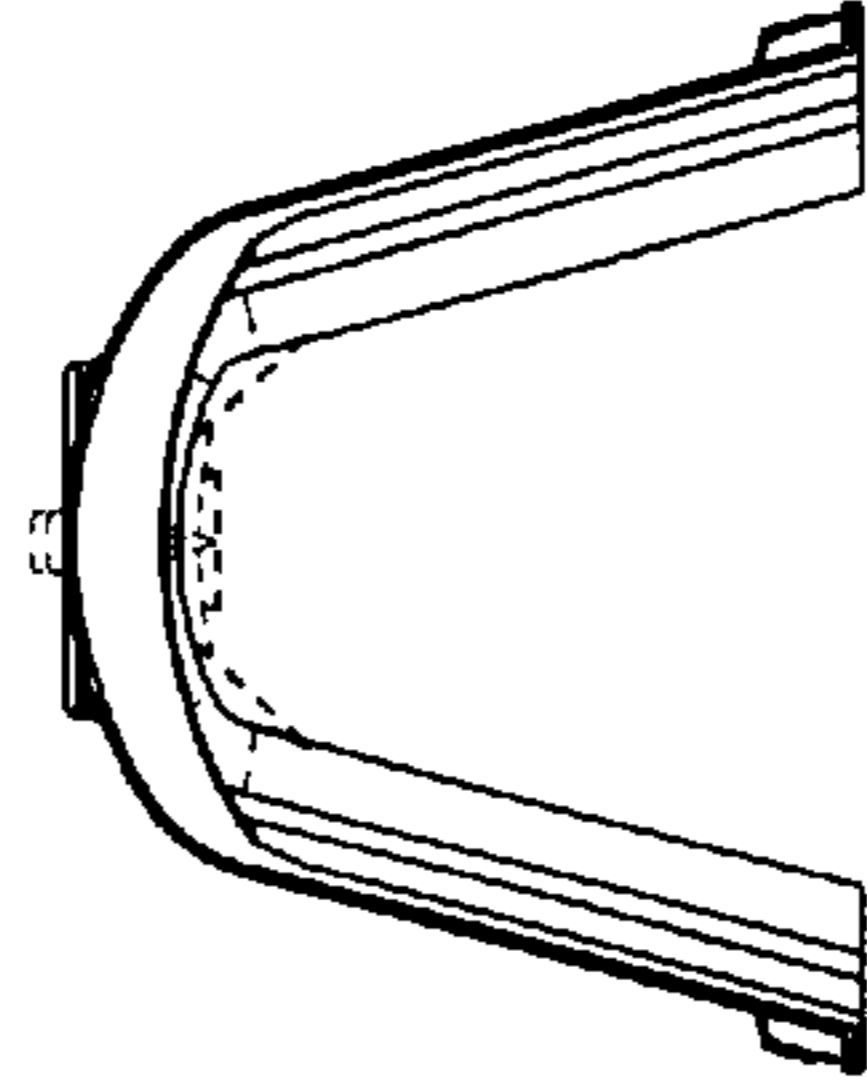


Fig.4

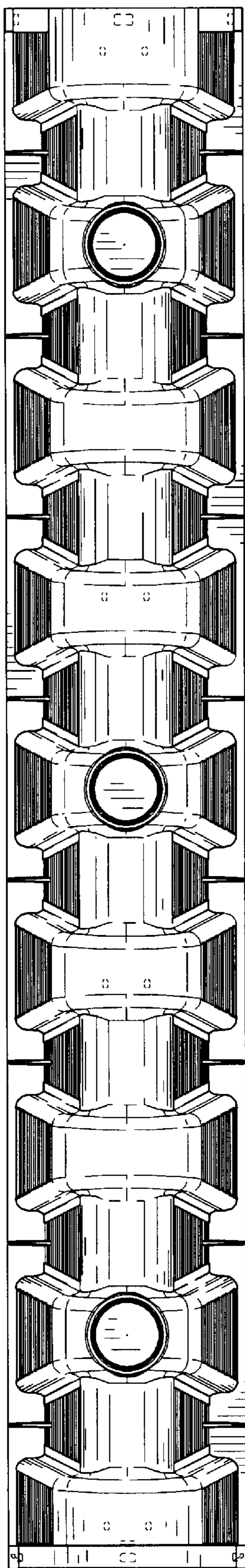


Fig.5

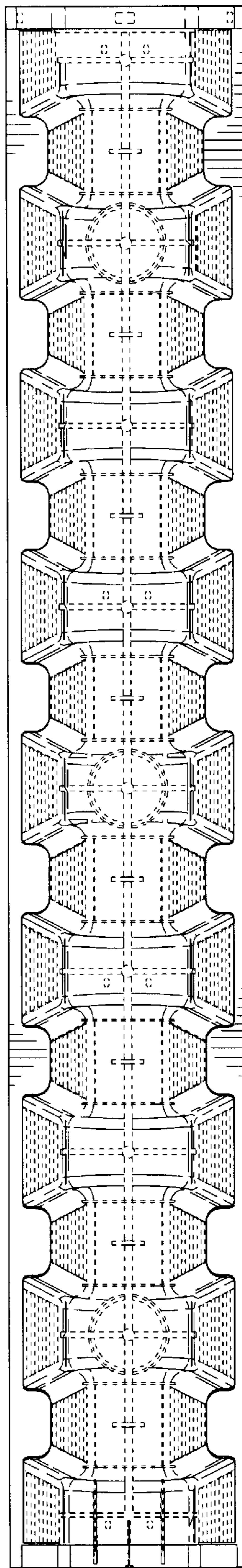


Fig.6