



US00D474522S

(12) **United States Design Patent**
Monroe

(10) **Patent No.:** **US D474,522 S**

(45) **Date of Patent:** **** May 13, 2003**

(54) **FLOATATION APPARATUS**

(76) Inventor: **Kenneth R. Monroe**, P.O. Box 14,
Schuylerville, NY (US) 12871

(**) Term: **14 Years**

(21) Appl. No.: **29/165,928**

(22) Filed: **Aug. 19, 2002**

(51) **LOC (7) Cl.** **21-02**

(52) **U.S. Cl.** **D21/803; D21/678; D21/681**

(58) **Field of Search** D21/801, 803,
D21/804, 807, 808, 679-684, 694, 678;
482/104, 106, 107, 108, 111; 441/129,
56, 88; 472/129, 128

(56) **References Cited**

U.S. PATENT DOCUMENTS

2,009,551	A	*	7/1935	Huebner	441/56
3,617,056	A	*	11/1971	Herbold	482/108
4,722,523	A	*	2/1988	Yang	482/108
4,997,184	A	*	3/1991	Sherman	482/108
5,203,753	A	*	4/1993	Rothhammer	482/111
D349,322	S		8/1994	Wolfe		
D351,009	S		9/1994	Wolfe		
5,496,243	A	*	3/1996	Allen	482/106
D378,694	S		4/1997	Colling et al.		
D430,636	S		9/2000	Afshari		
6,132,344	A	*	10/2000	Vanderbleek	482/108
D440,469	S		4/2001	Krist et al.		
D444,839	S		7/2001	Wilbanks		
D446,069	S		8/2001	Moore		
D448,060	S		9/2001	Wilbanks		

OTHER PUBLICATIONS

RecSupply.com, SWIM BAR; www.recsupply.com/myweb/products/swimbar.htm; 2 pages, (printed from website May 21, 2002).

MegaFitness.com, Troy Rubber Encased VTX Dumbell 5LB to 50 LB Set with 2 Tier Rack; www.megafitness.com; 2 pages (printed from website May 21, 2002).

Thera-Band Aquatics, Instructional Swim Bar; www.thera-band.com/swim_bar.html; 1 page (printed from website May 21, 2002).

Nefitco.com, Spongex Swim Bar; www.nefitco.com/spongex_swim_bar.html; 1 page (printed from website on May 21, 2002).

* cited by examiner

Primary Examiner—Lucy Lieberman

(74) *Attorney, Agent, or Firm*—Schmeiser, Olsen & Watts

(57) **CLAIM**

The ornamental design for a floatation apparatus, as shown and described.

DESCRIPTION

FIG. 1 is a perspective view of a floatation apparatus showing a new design;

FIG. 2 is a front view thereof;

FIG. 3 is a side view thereof;

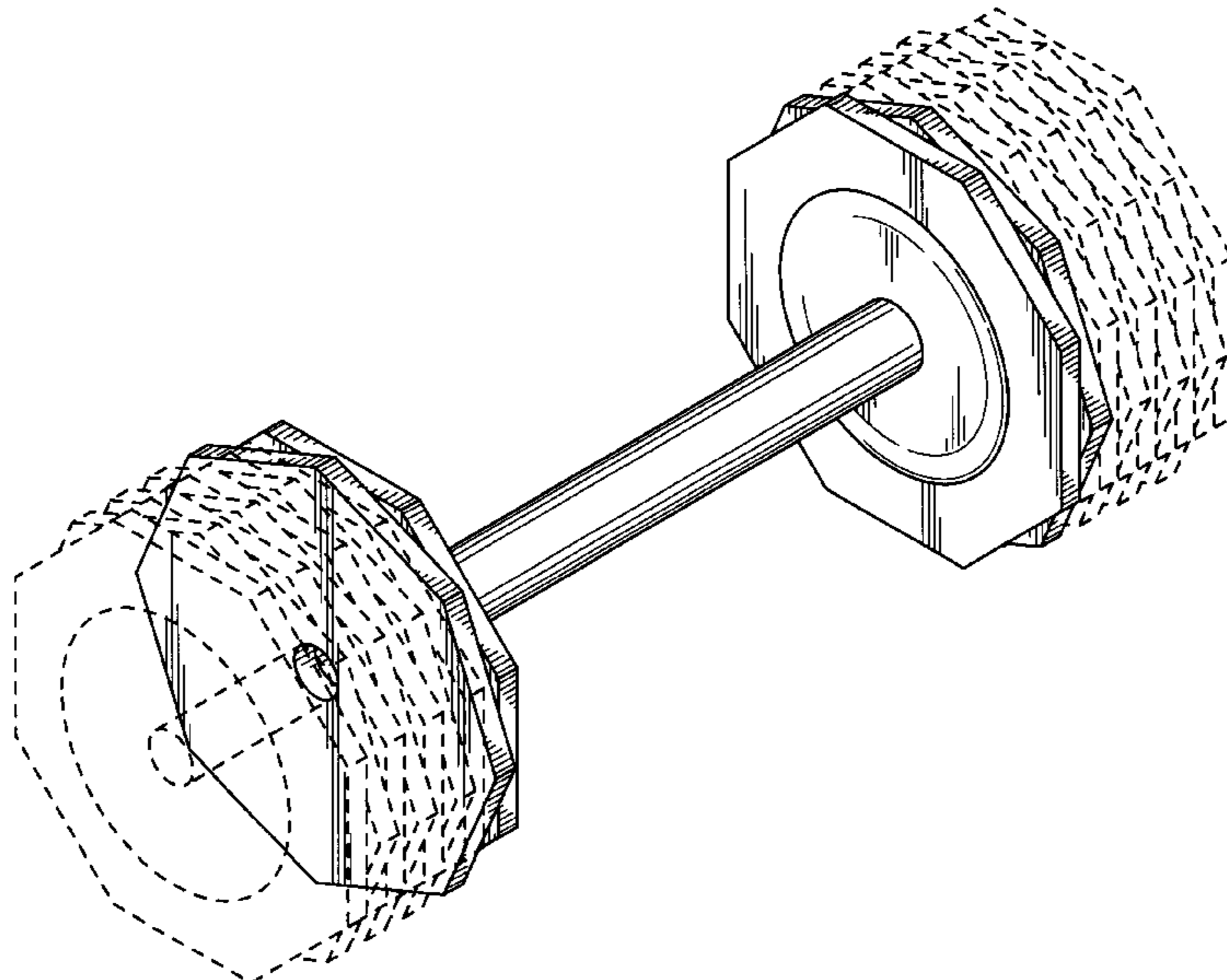
FIG. 4 is a perspective view of a second embodiment of the floatation apparatus;

FIG. 5 is a front view of the second embodiment; and,

FIG. 6 is a side view of the second embodiment.

The broken lines in the drawings are for illustrative purposes only and do not form part of the claimed design.

1 Claim, 4 Drawing Sheets



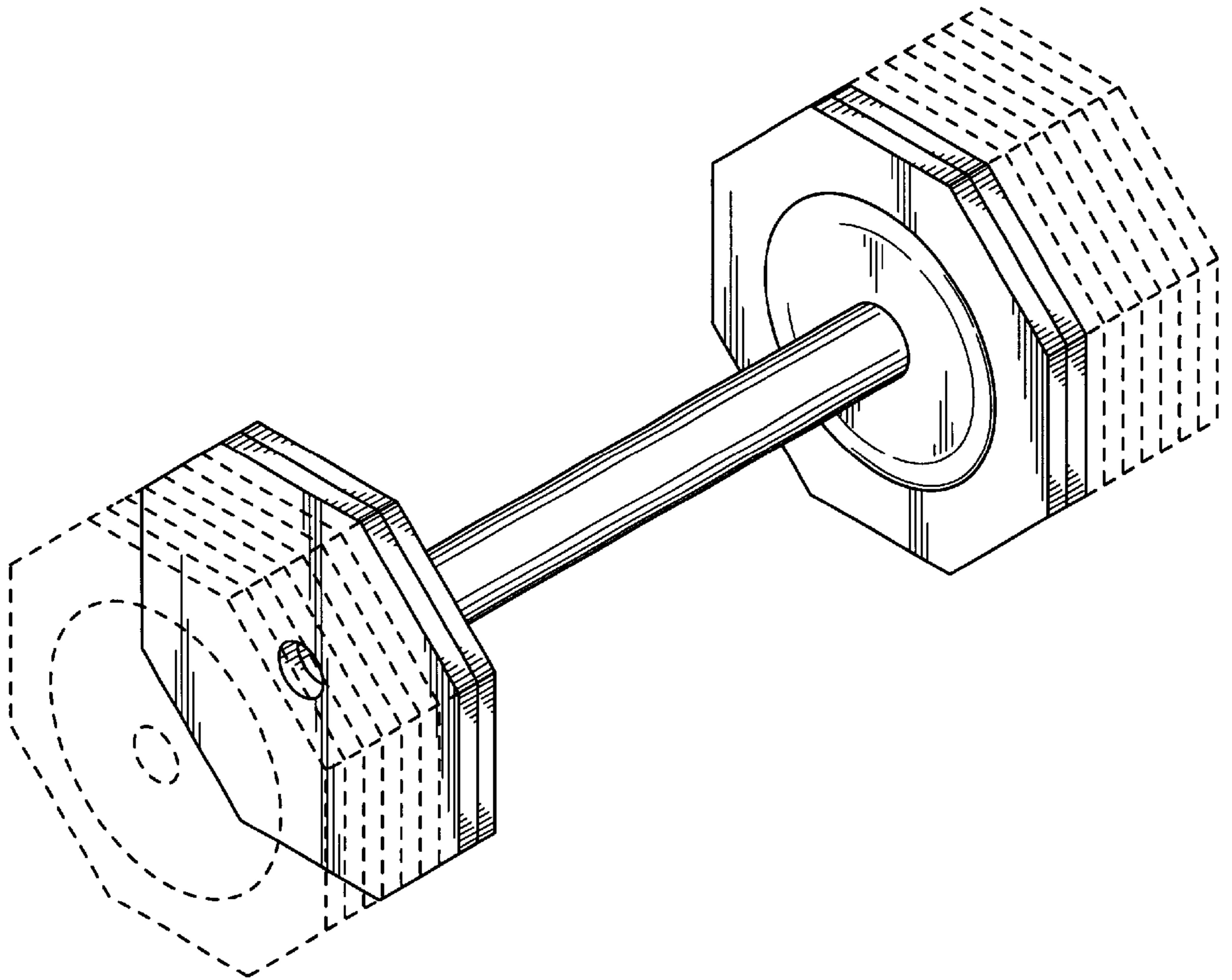


FIG. 1

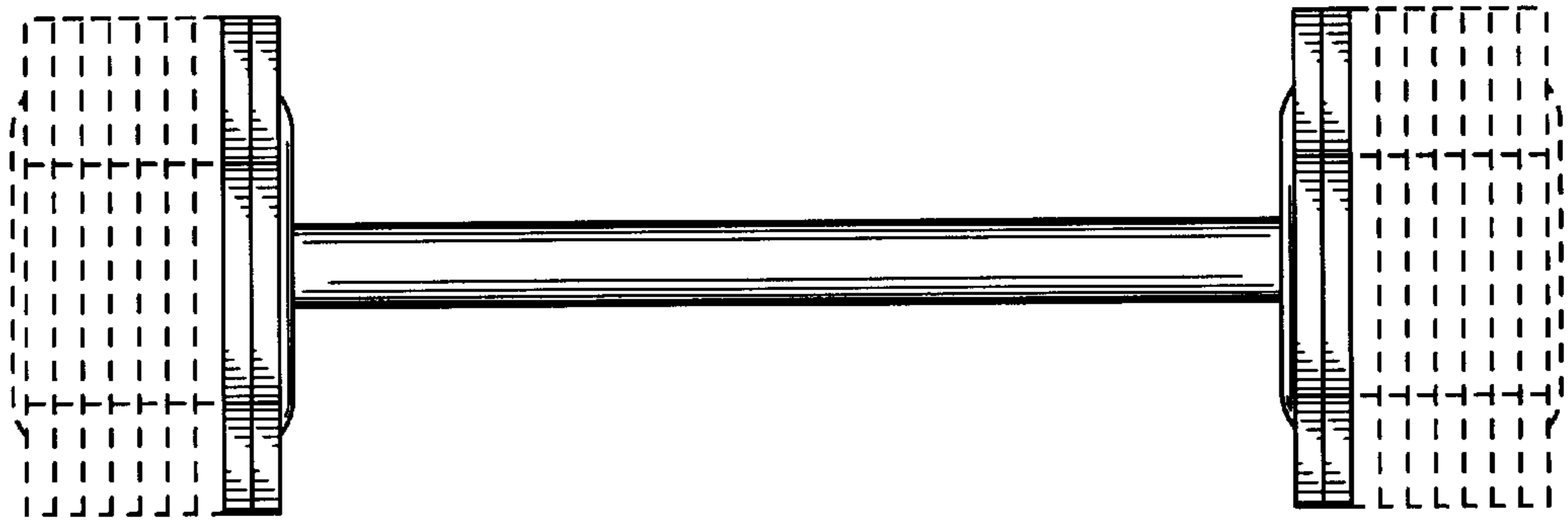


FIG. 2

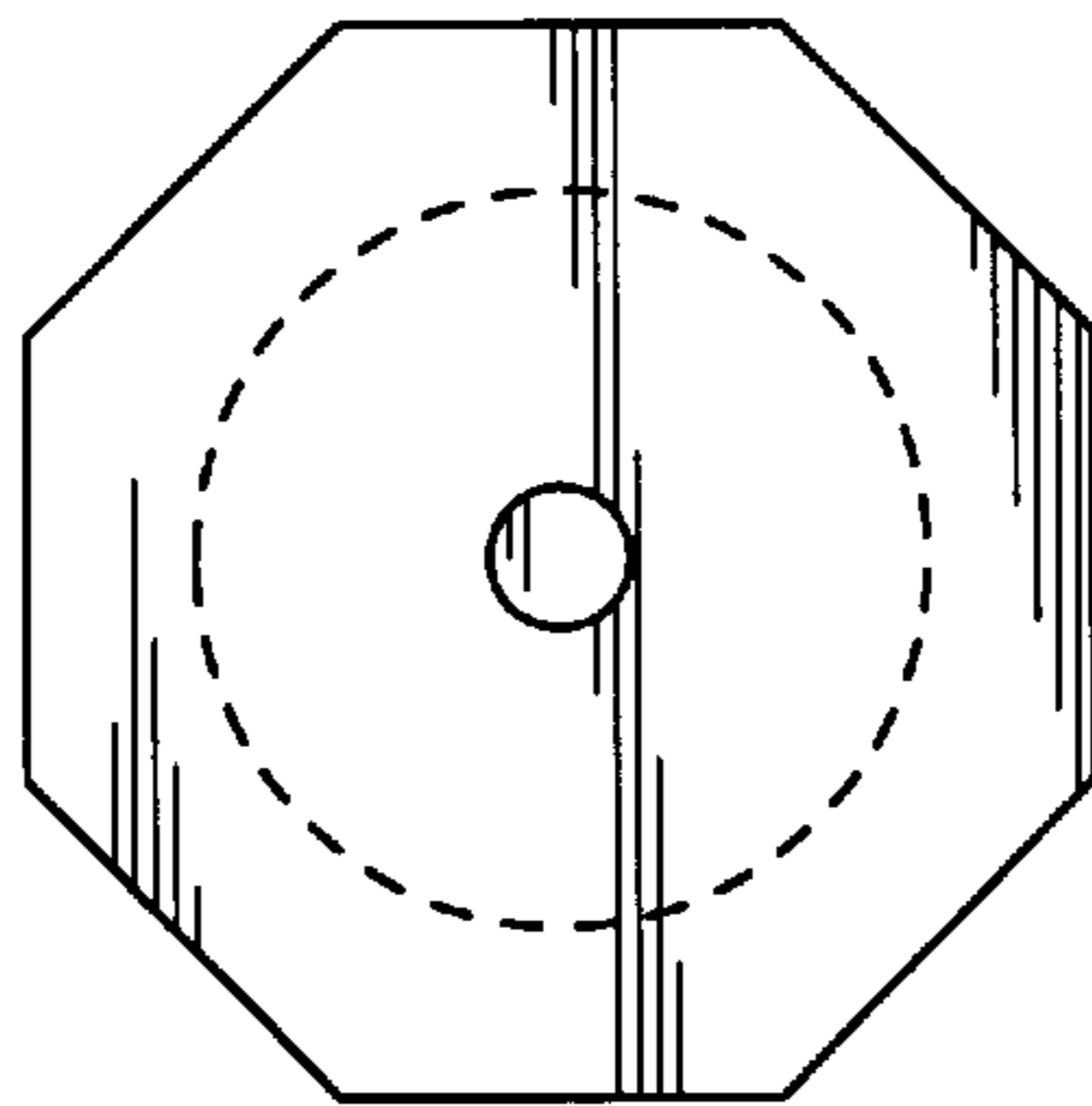


FIG. 3

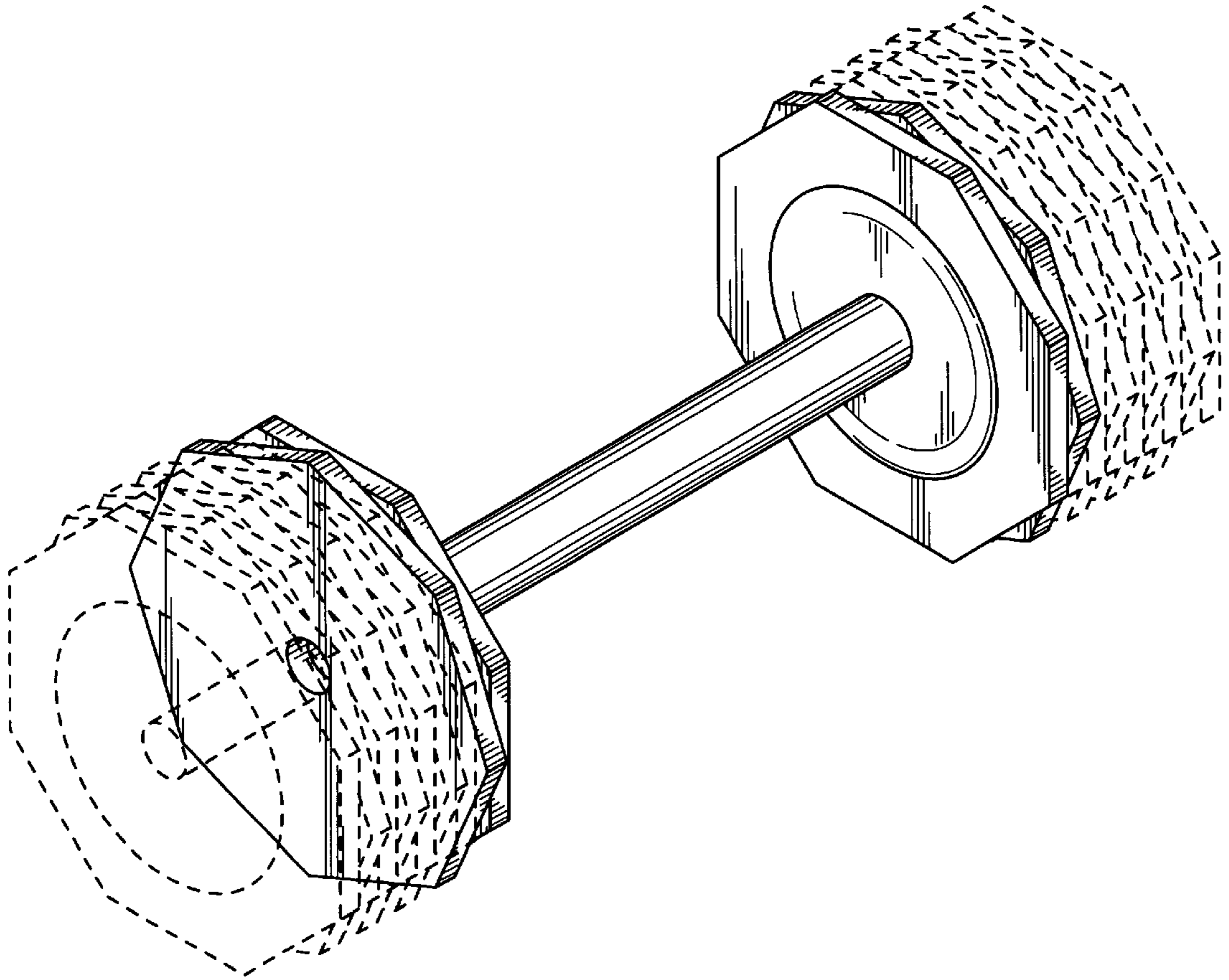


FIG. 4

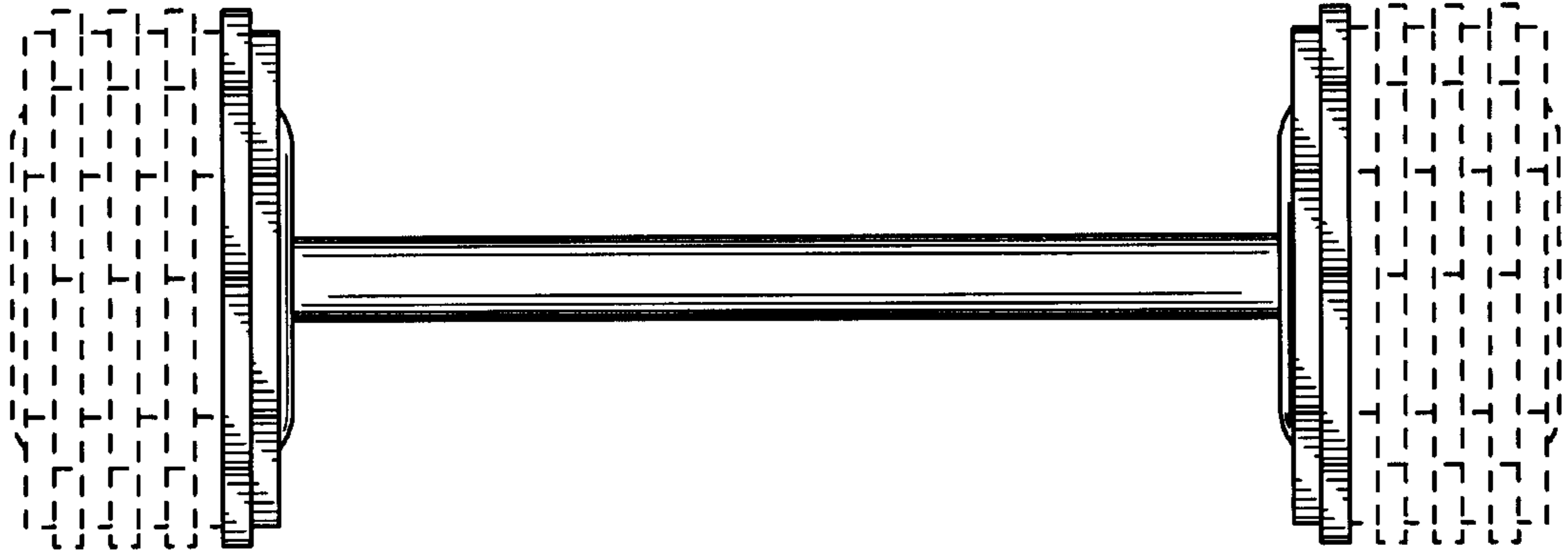


FIG. 5

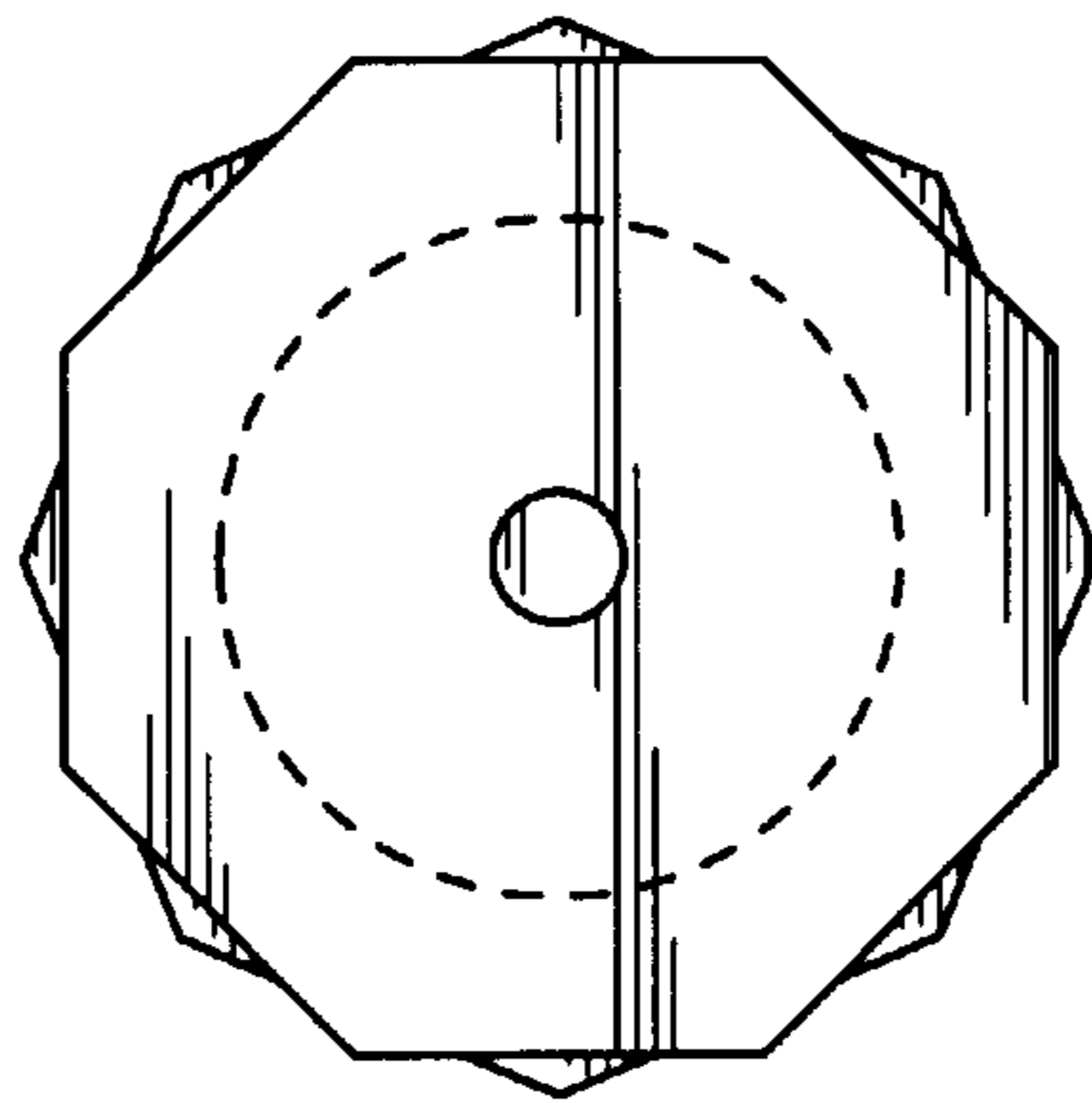


FIG. 6