



US00D474516S

(12) **United States Design Patent**  
**Kuo**

(10) **Patent No.:** **US D474,516 S**

(45) **Date of Patent:** **\*\* May 13, 2003**

(54) **EXERCISE MACHINE**

(76) **Inventor:** **Johnson Kuo**, 11F-1, No. 342, Keelung Rd., Sec. 1, Taipei (TW)

(\*\*) **Term:** **14 Years**

(21) **Appl. No.:** **29/162,869**

(22) **Filed:** **Jun. 24, 2002**

(30) **Foreign Application Priority Data**

May 31, 2002 (TW) ..... 91302727

(51) **LOC (7) Cl.** ..... **21-02**

(52) **U.S. Cl.** ..... **D21/676; D21/673**

(58) **Field of Search** ..... D21/673, 675,  
D21/676, 662, 690; 482/133, 130, 138,  
140, 129, 121, 137

(56) **References Cited**

**U.S. PATENT DOCUMENTS**

- D329,672 S \* 9/1992 Shieh ..... D21/676
- 5,232,426 A \* 8/1993 Van Straaten ..... 482/123
- D347,251 S \* 5/1994 Dreibelbis et al. .... D21/676
- 5,338,277 A \* 8/1994 Yang ..... 482/130

- D384,117 S \* 9/1997 Piaget et al. .... D21/676
- 5,718,659 A \* 2/1998 Van Straaten ..... 482/130
- 5,899,836 A \* 5/1999 Chen ..... 482/92
- 6,152,866 A \* 11/2000 Kuo ..... 482/142
- D438,578 S \* 3/2001 Kuo ..... D21/690

\* cited by examiner

*Primary Examiner*—Philip S. Hyder

(74) *Attorney, Agent, or Firm*—Bacon & Thomas, PLLC

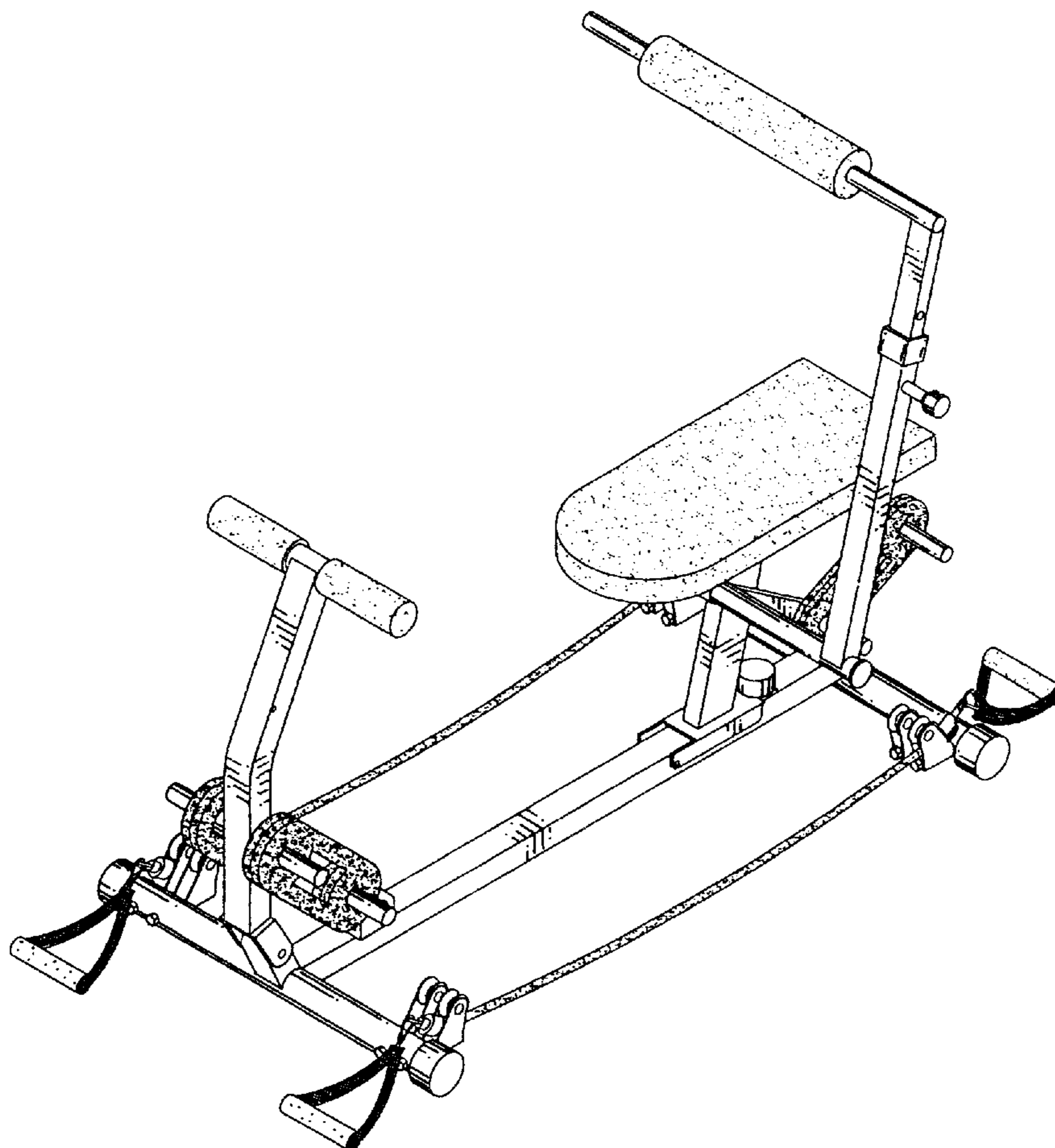
(57) **CLAIM**

The ornamental design for an exercise machine, as shown.

**DESCRIPTION**

FIG. 1 shows a perspective view of the present design.  
 FIG. 2 shows a right side elevational view of the present design.  
 FIG. 3 shows a top plan view of the present design.  
 FIG. 4 shows a front elevational view of the present design.  
 FIG. 5 shows a bottom plan view of the present design.  
 FIG. 6 shows a left side elevational view of the present design; and,  
 FIG. 7 shows a rear elevational view of the present design.

**1 Claim, 4 Drawing Sheets**



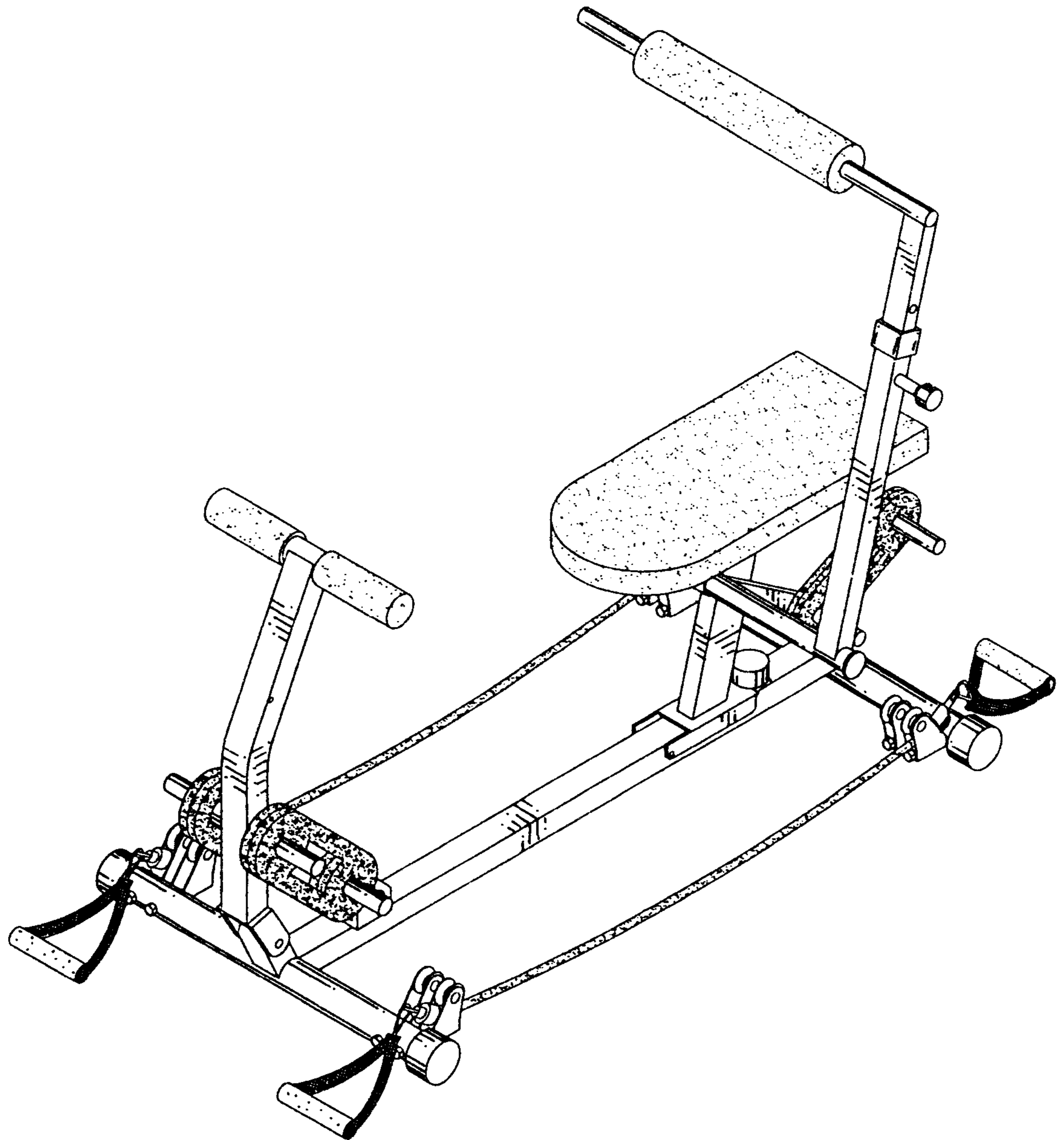


FIG. 1

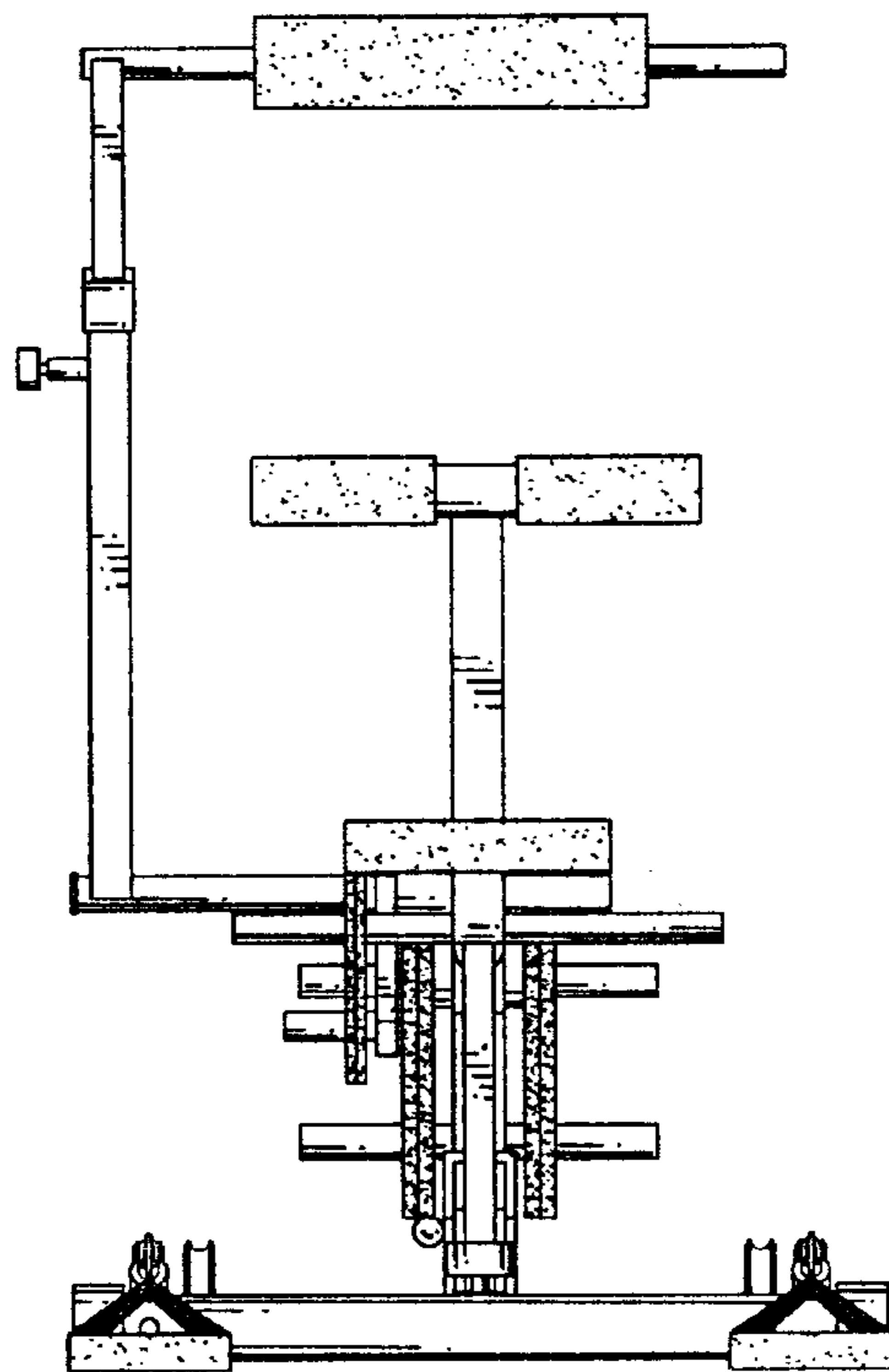


FIG. 2

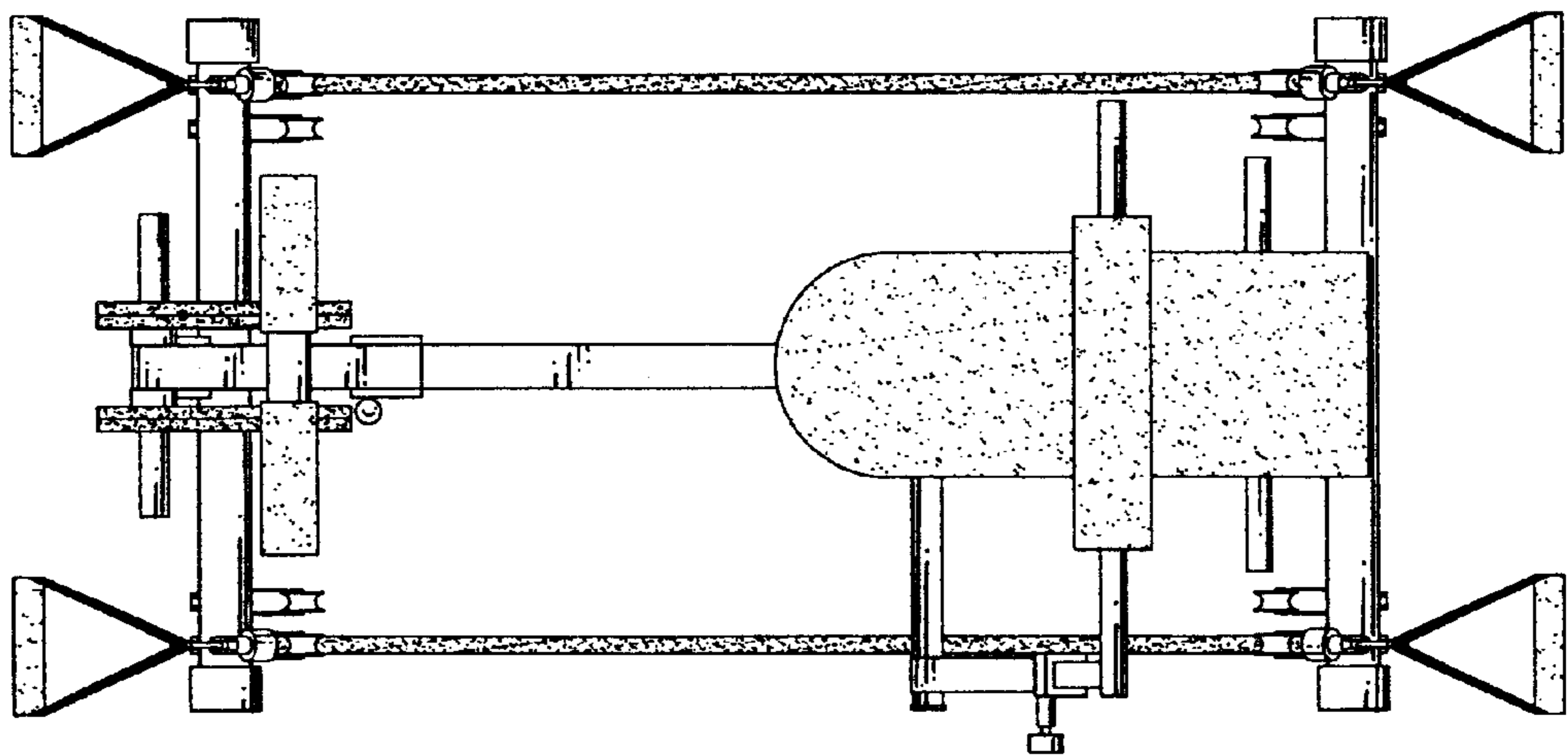


FIG. 3

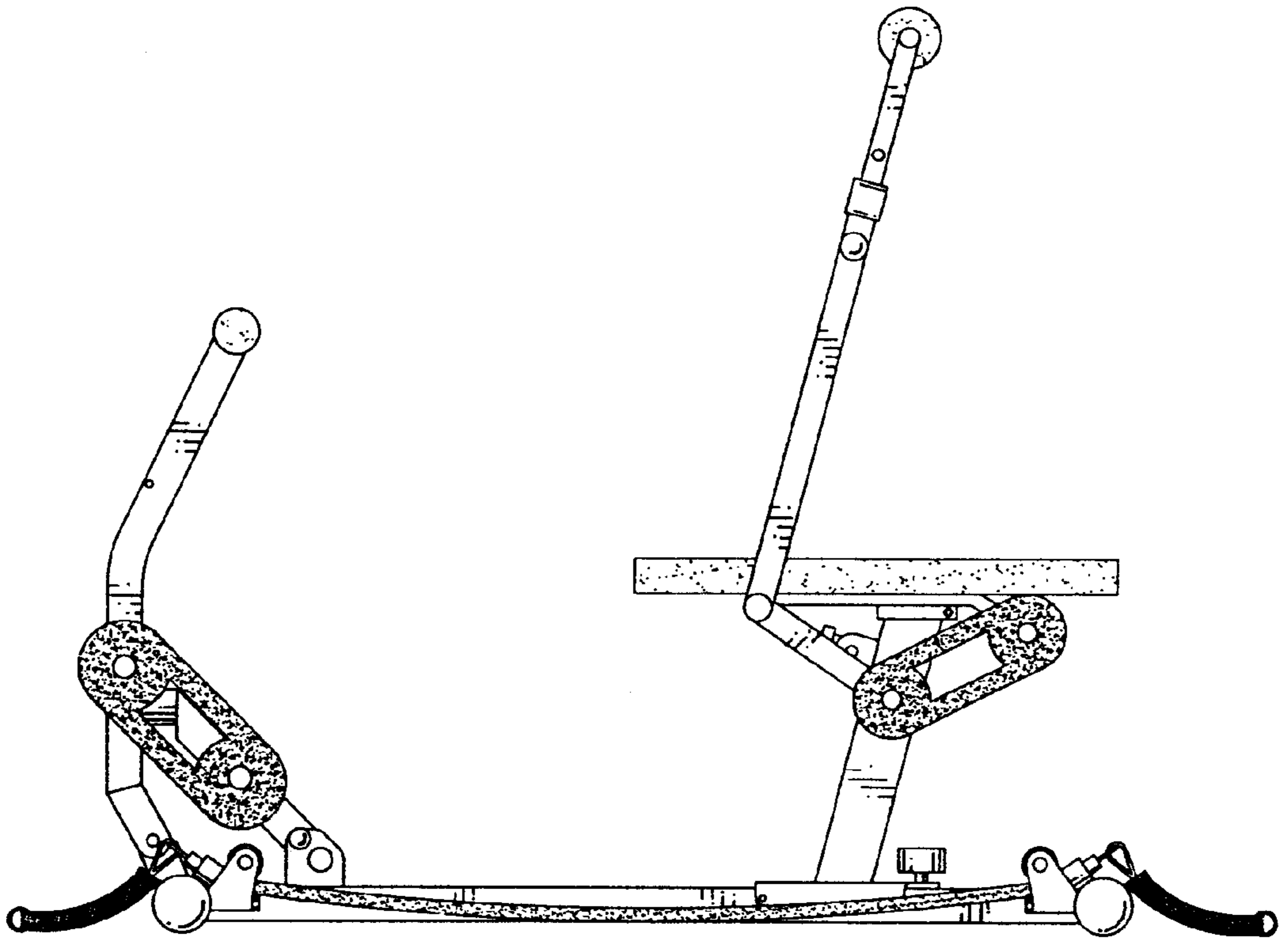


FIG. 4

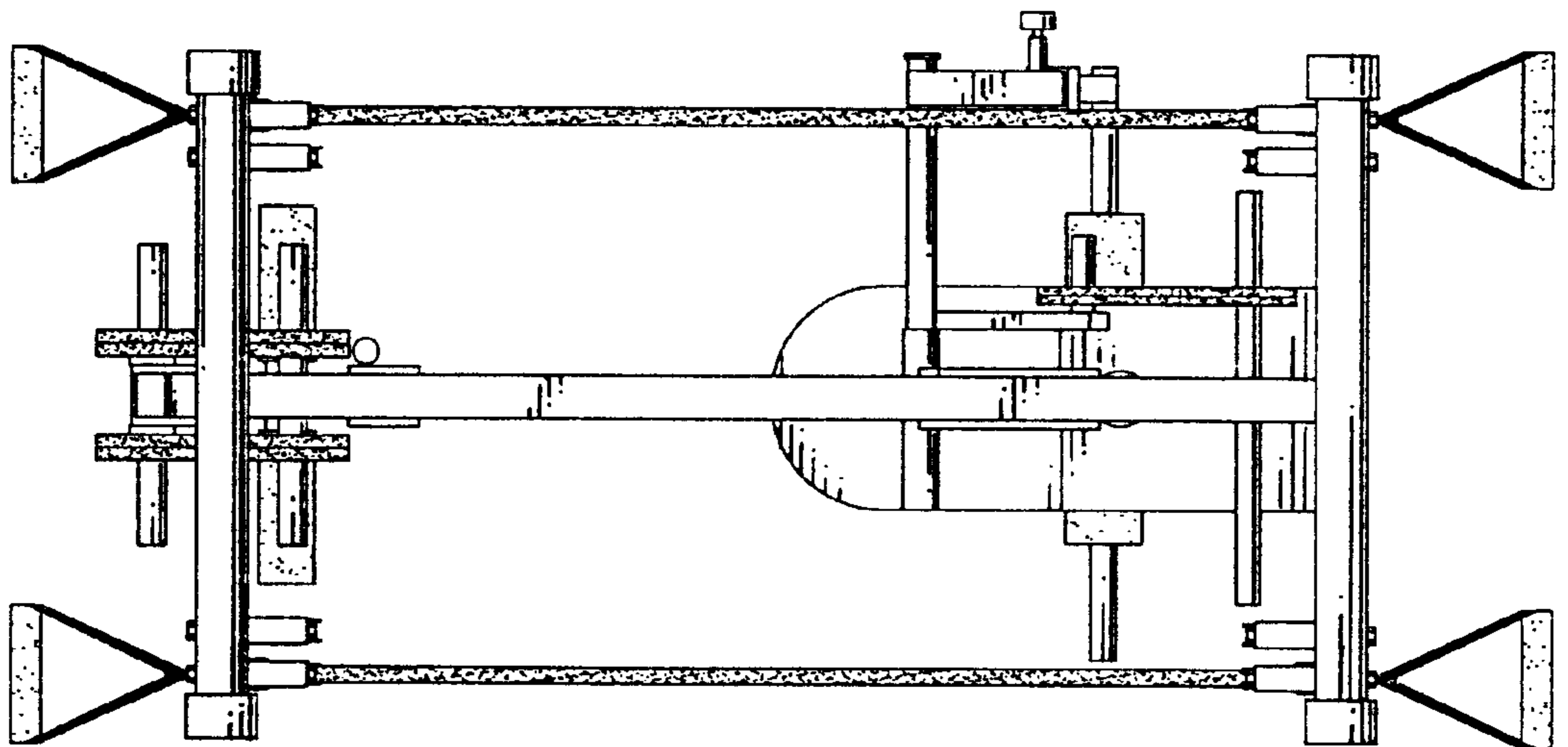


FIG. 5

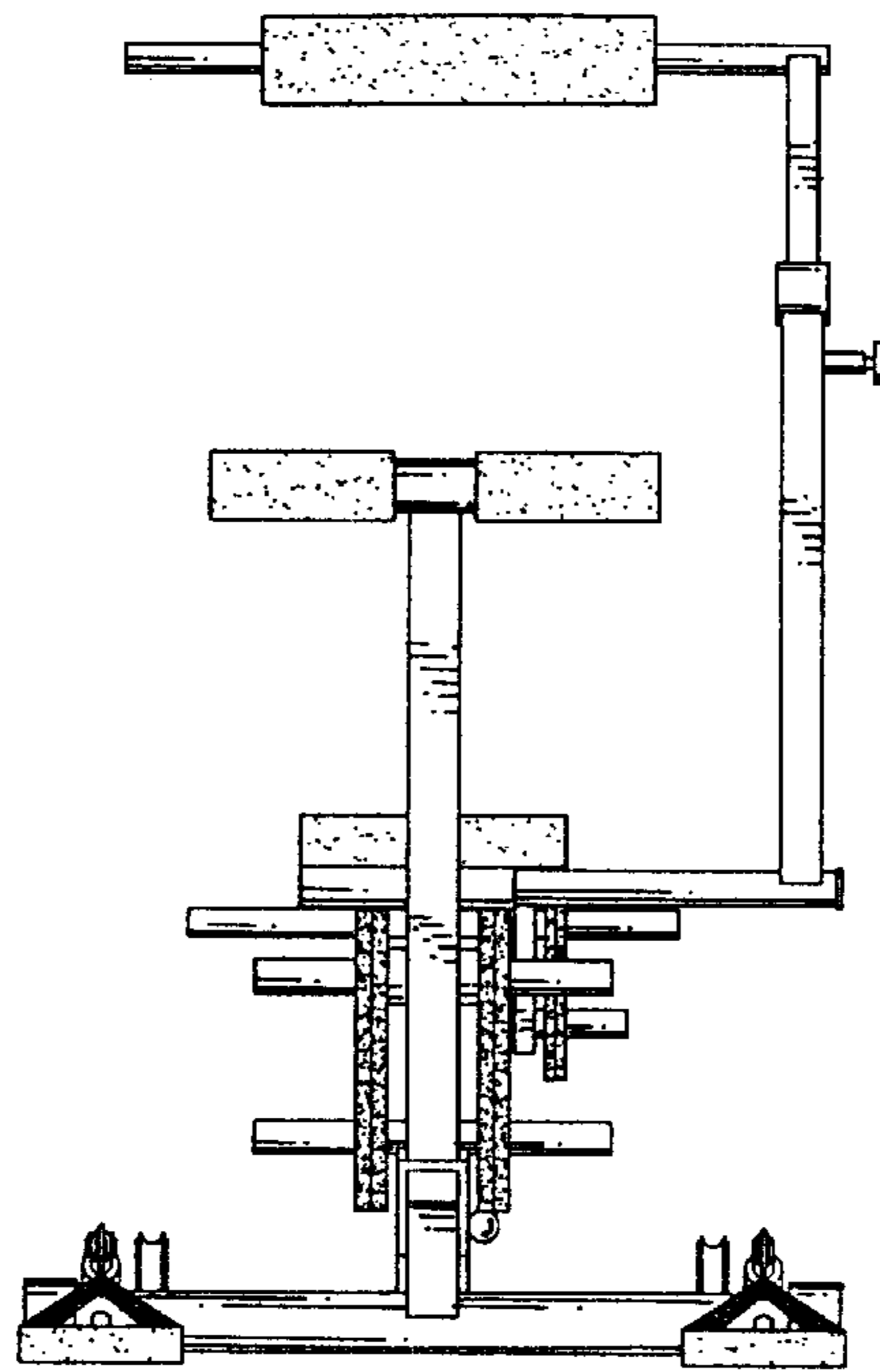


FIG. 6

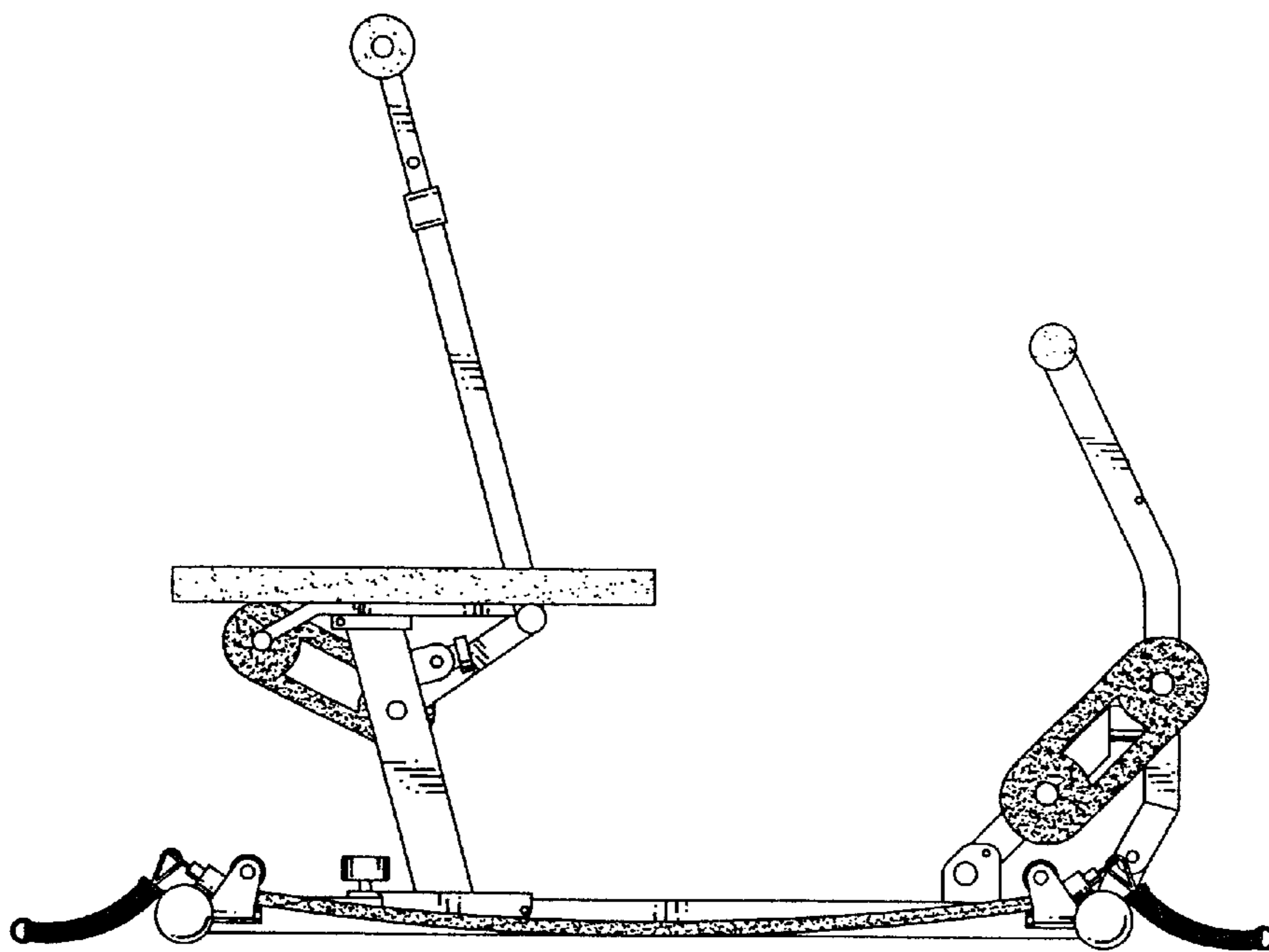


FIG. 7