



US00D474514S

(12) **United States Design Patent** (10) **Patent No.:** **US D474,514 S**
Price et al. (45) **Date of Patent:** **** May 13, 2003**

(54) **ARTICULATED TOY FIGURE**

(75) Inventors: **Daniel West Price**, Loveland, OH (US); **Marysue Besl Price**, Loveland, OH (US); **Wayne Marshall Ginn**, Independence, KY (US); **David Voss**, Warwick, RI (US); **Michelino Paolino, Jr.**, Cumberland, RI (US)

(73) Assignees: **Hasbro, Inc.**, Pawtucket, RI (US); **Wild Blue Invention & Design**, Loveland, OH (US)

(**) Term: **14 Years**

(21) Appl. No.: **29/167,655**

(22) Filed: **Sep. 17, 2002**

(51) **LOC (7) Cl.** **21-01**

(52) **U.S. Cl.** **D21/594; D21/621**

(58) **Field of Search** D21/621, 587, D21/594, 578, 490, 493; D11/160, 53; 446/268, 330, 359, 361, 365, 366, 376, 378, 379, 380, 97-101

(56) **References Cited**

U.S. PATENT DOCUMENTS

1,555,661	A	*	9/1925	Grove	446/380
1,602,863	A	*	10/1926	Smolens	446/361
2,106,148	A	*	1/1938	Kellner	446/97
2,377,616	A	*	6/1945	Davis	446/101

(List continued on next page.)

Primary Examiner—Lucy Lieberman

(74) *Attorney, Agent, or Firm*—Kurt R. Benson

(57) **CLAIM**

The ornamental design for an articulated toy figure, as shown and described.

DESCRIPTION

FIG. 1 is a perspective view of a first embodiment of an articulated toy figure of the instant invention;

FIG. 2 is a front elevational view thereof, the rear elevational view thereof being identical to the front;

FIG. 3 is a right side elevational view thereof, the left side elevational view thereof being identical to the right side;

FIG. 4 is a top plan view thereof;

FIG. 5 is a bottom plan view thereof;

FIG. 6 is a perspective view of a second embodiment thereof;

FIG. 7 is a front elevational view thereof, the rear elevational view thereof being identical to the front;

FIG. 8 is a right side elevational view thereof, the left side elevational view thereof being identical to the right side;

FIG. 9 is a top plan view thereof;

FIG. 10 is a bottom plan view thereof;

FIG. 11 is a perspective view of a third embodiment thereof;

FIG. 12 is a front elevational view thereof, the rear elevational view thereof being identical to the front;

FIG. 13 is a right side elevational view thereof, the left side elevational view thereof being identical to the right side;

FIG. 14 is a top plan view thereof;

FIG. 15 is a bottom plan view thereof;

FIG. 16 is a perspective view of a fourth embodiment thereof;

FIG. 17 is a front elevational view thereof, the rear elevational view thereof being identical to the front;

FIG. 18 is a right side elevational view thereof, the left side elevational view thereof being identical to the right side;

FIG. 19 is a top plan view thereof;

FIG. 20 is a bottom plan view thereof;

FIG. 21 is a perspective view of a fifth embodiment thereof;

FIG. 22 is a front elevational view thereof, the rear elevational view thereof being identical to the front;

FIG. 23 is a right side elevational view thereof, the left side elevational view thereof being identical to the right side;

FIG. 24 is a top plan view thereof;

FIG. 25 is a bottom plan view thereof;

FIG. 26 is a perspective view of a sixth embodiment thereof;

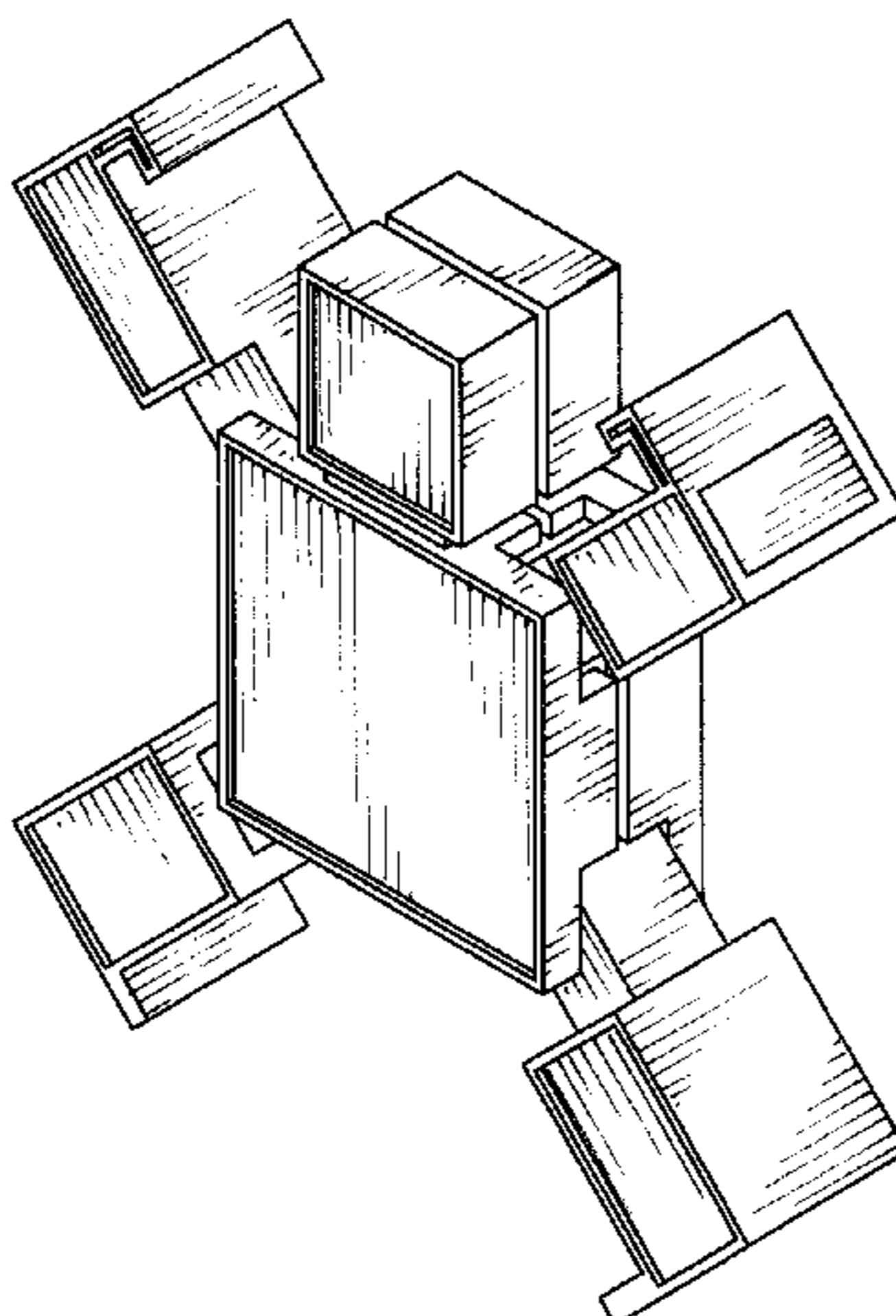
FIG. 27 is a front elevational view thereof, the left side elevational view thereof being identical to the front;

FIG. 28 is a right side elevational view thereof, the left side elevational view thereof being identical to the right side;

FIG. 29 is a top plan view thereof; and,

FIG. 30 is a bottom plan view thereof.

1 Claim, 18 Drawing Sheets



US D474,514 S

Page 2

U.S. PATENT DOCUMENTS

D204,394 S	*	4/1966	Wendt	D21/578	4,673,373 A	6/1987	Herring et al.
3,874,113 A		4/1975	Berk		4,680,019 A	7/1987	Baerenwald et al.
3,995,395 A		12/1976	Rahmstorf		4,798,553 A	1/1989	Gentles et al.
D248,881 S	*	8/1978	Goldfarb et al.	D21/621	5,310,378 A	5/1994	Shannon
4,423,876 A		1/1984	Boyd		6,213,839 B1	4/2001	Pedersen
D272,933 S	*	3/1984	Murakami	D21/578	6,328,625 B1	12/2001	Lee et al.
D274,444 S	*	6/1984	Symons	D21/621			

* cited by examiner

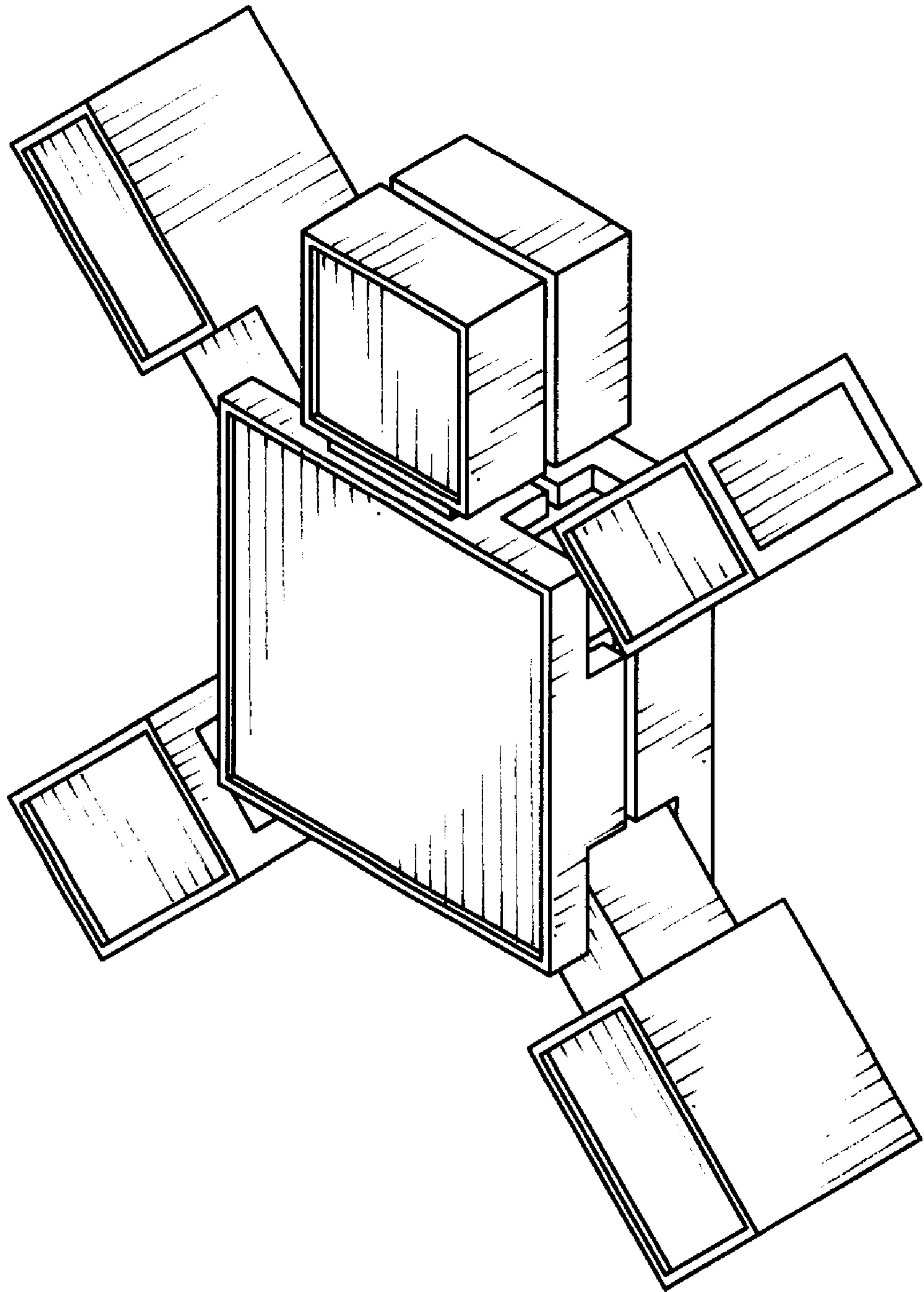


FIG. 1

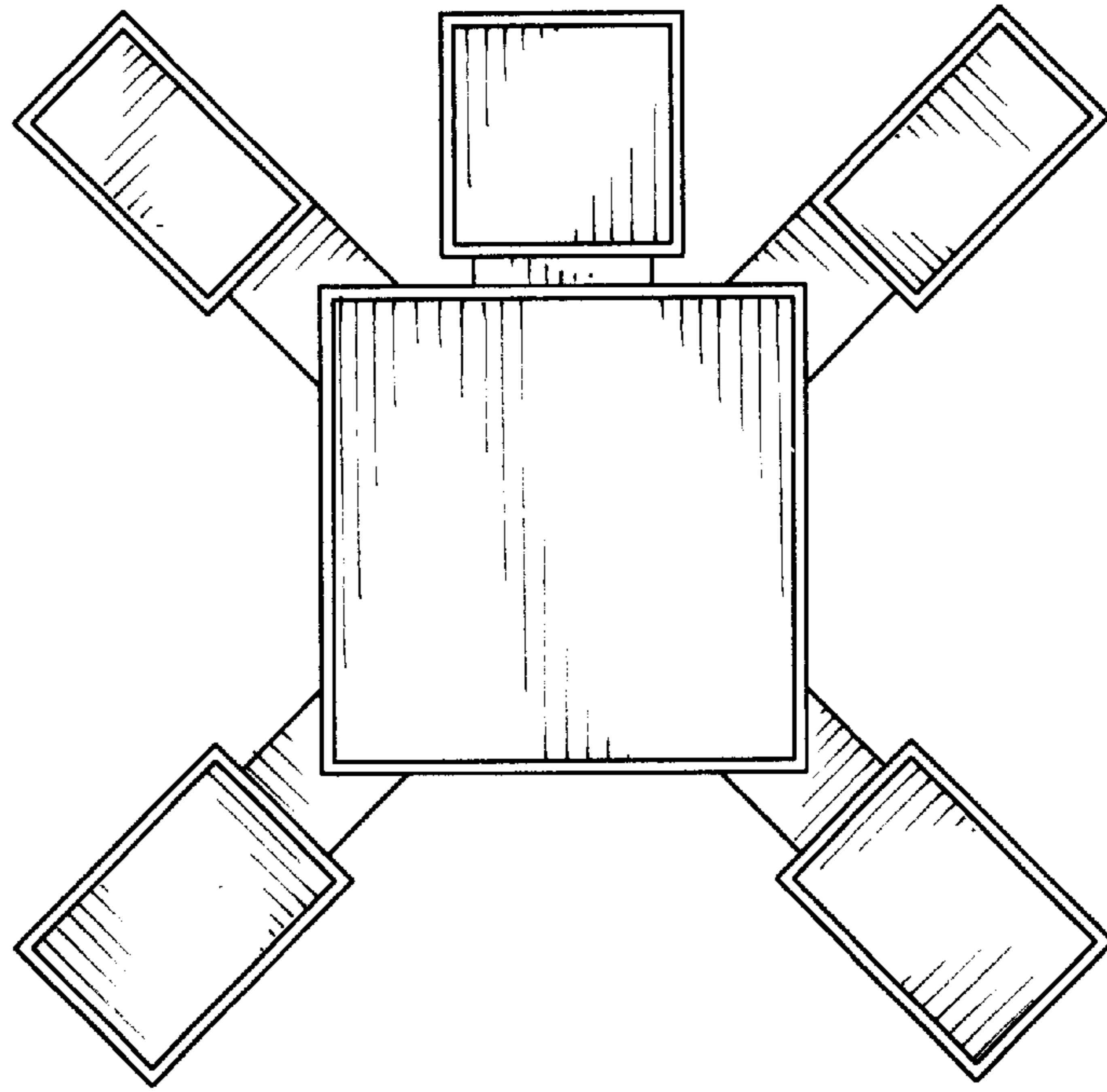


FIG. 2

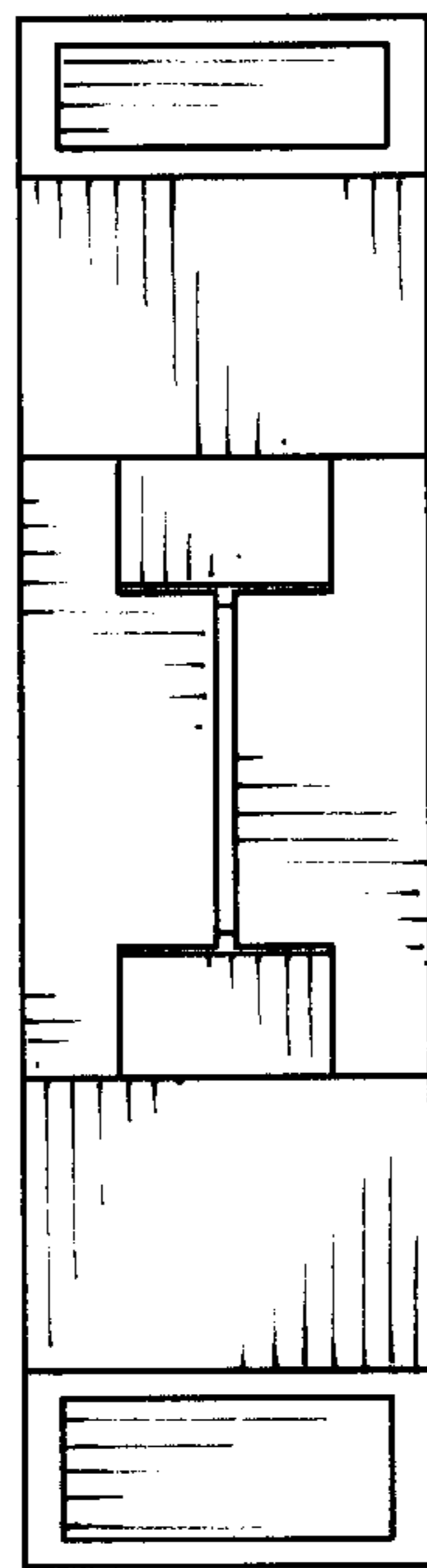


FIG. 3

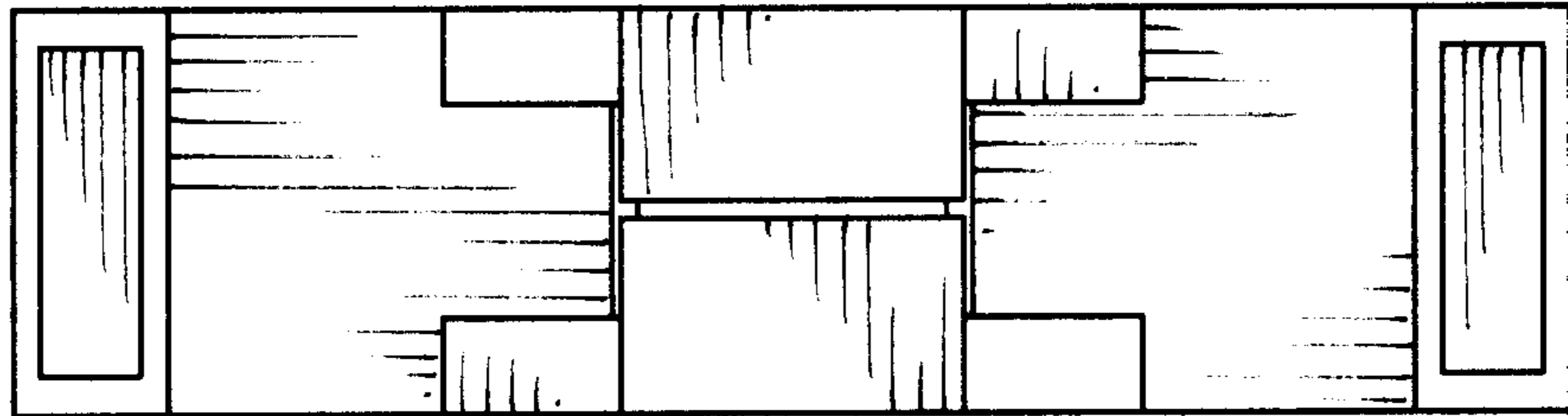


FIG. 4

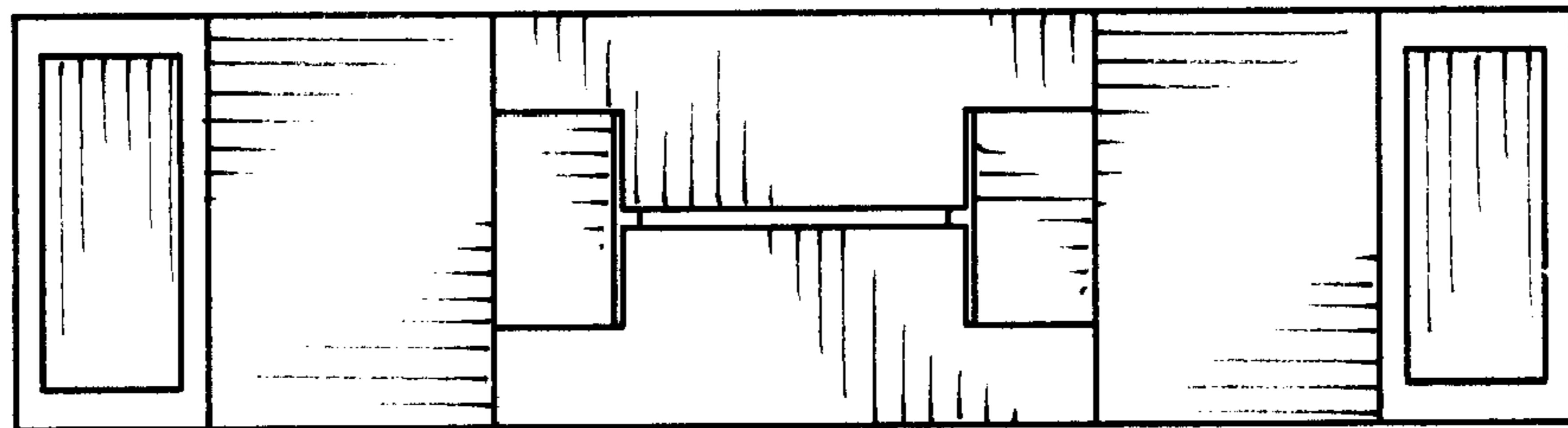


FIG. 5

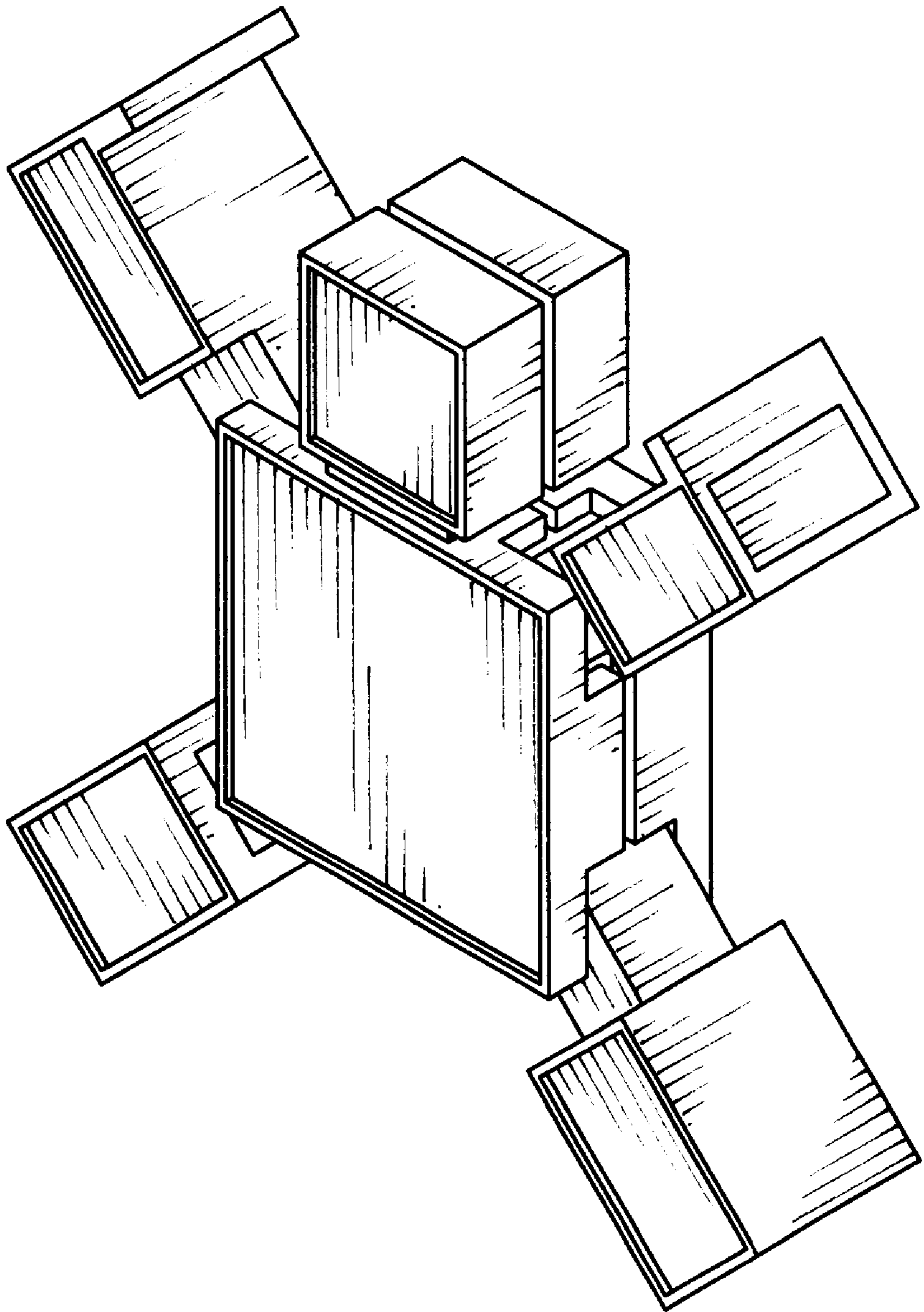


FIG. 6

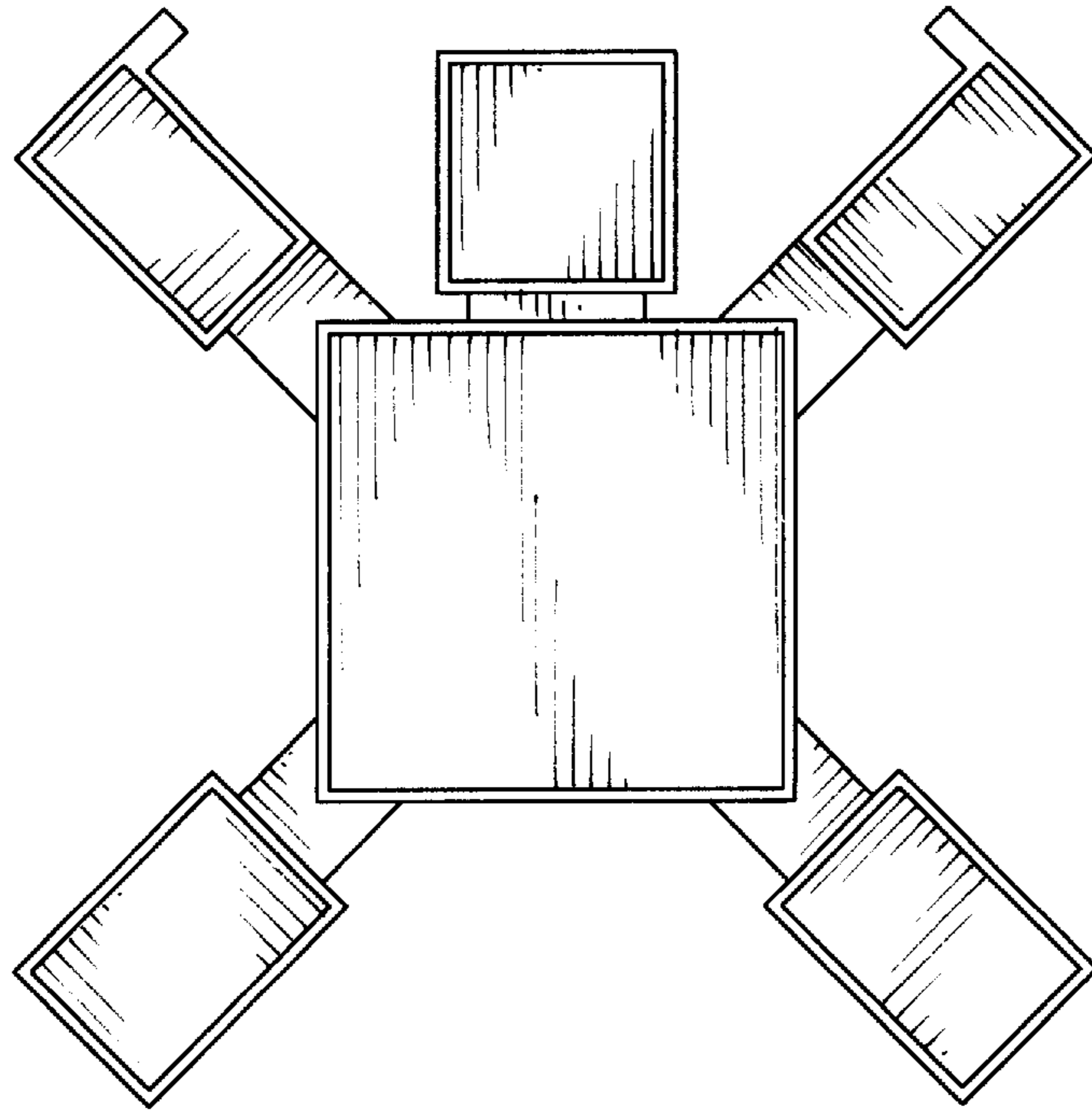


FIG. 7

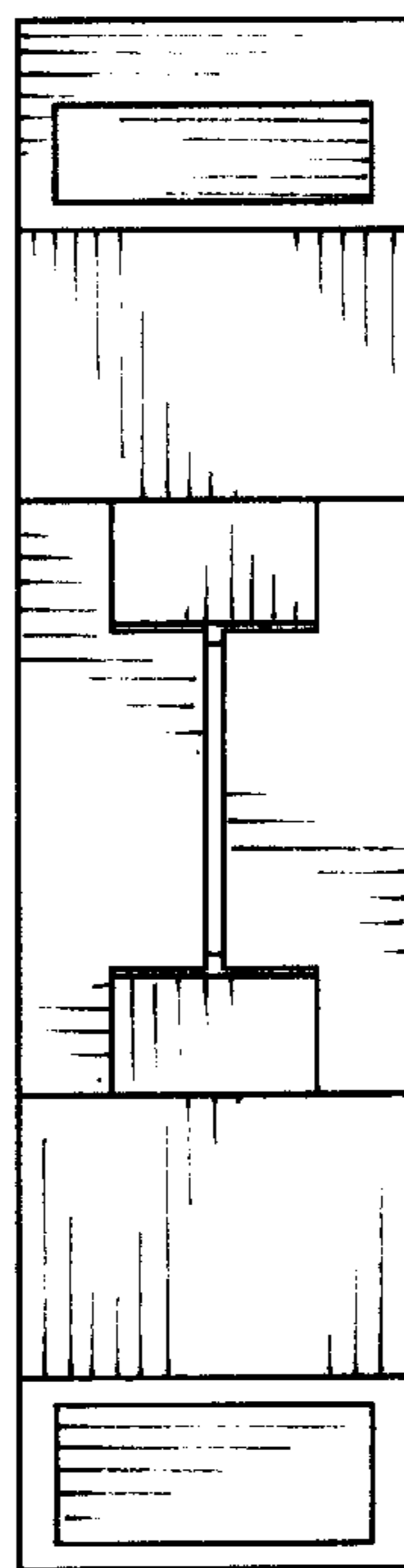


FIG. 8

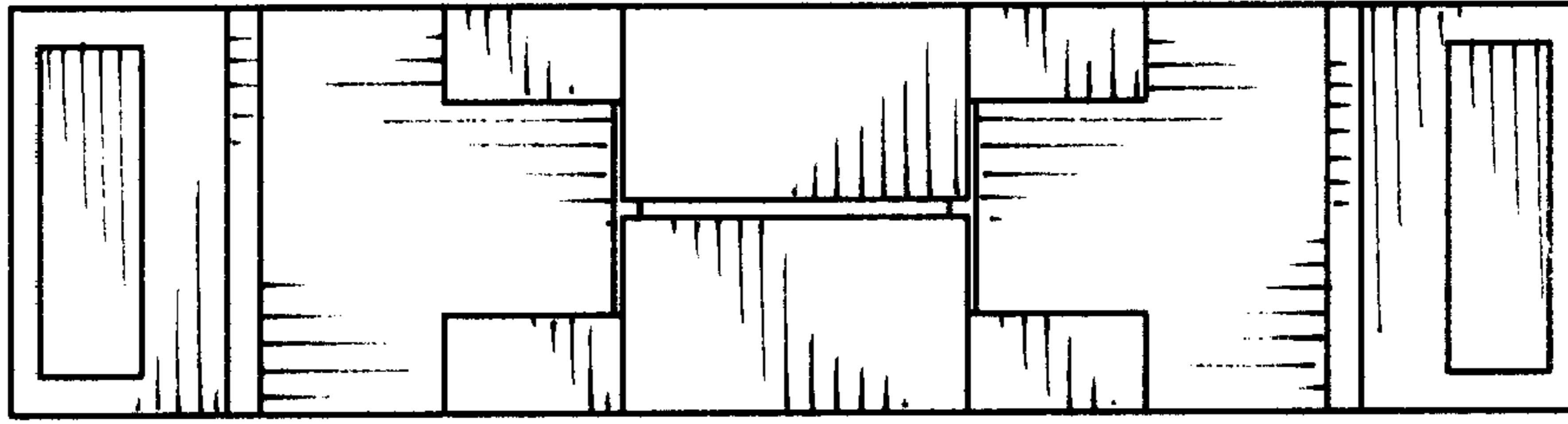


FIG. 9

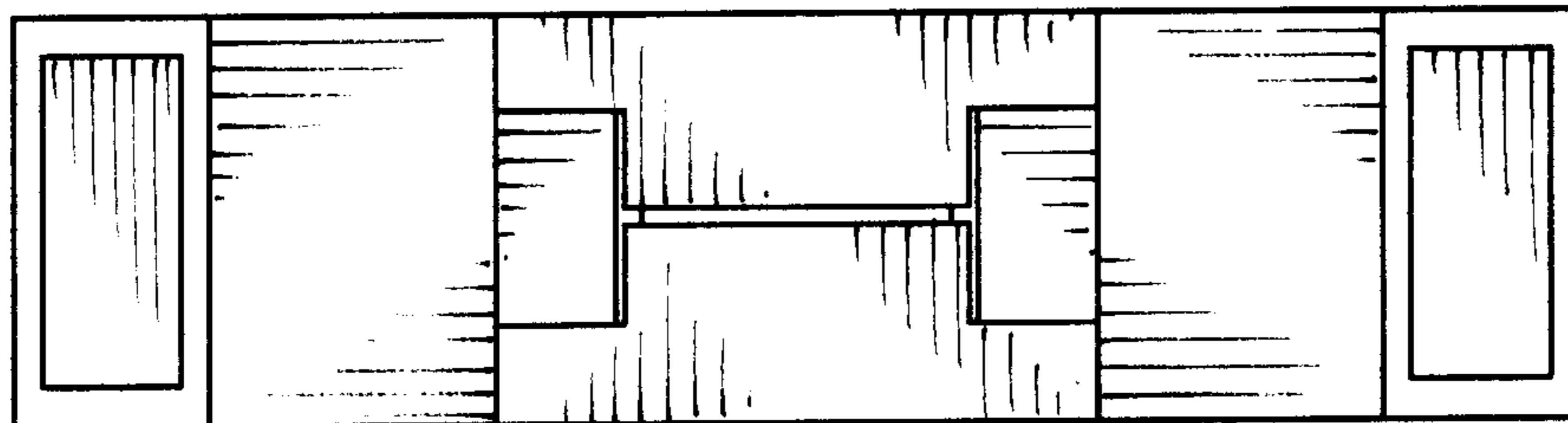


FIG. 10

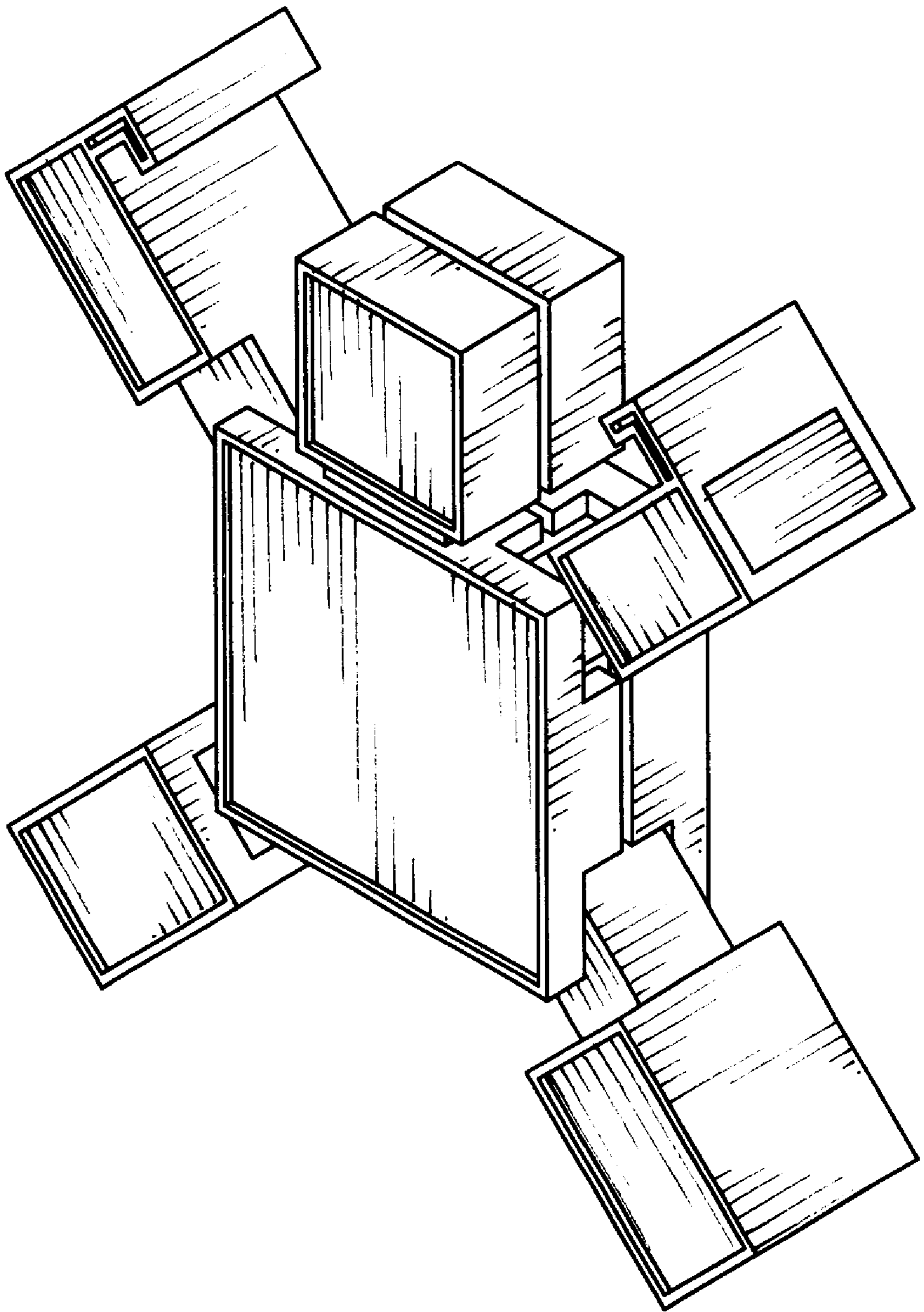


FIG. 11

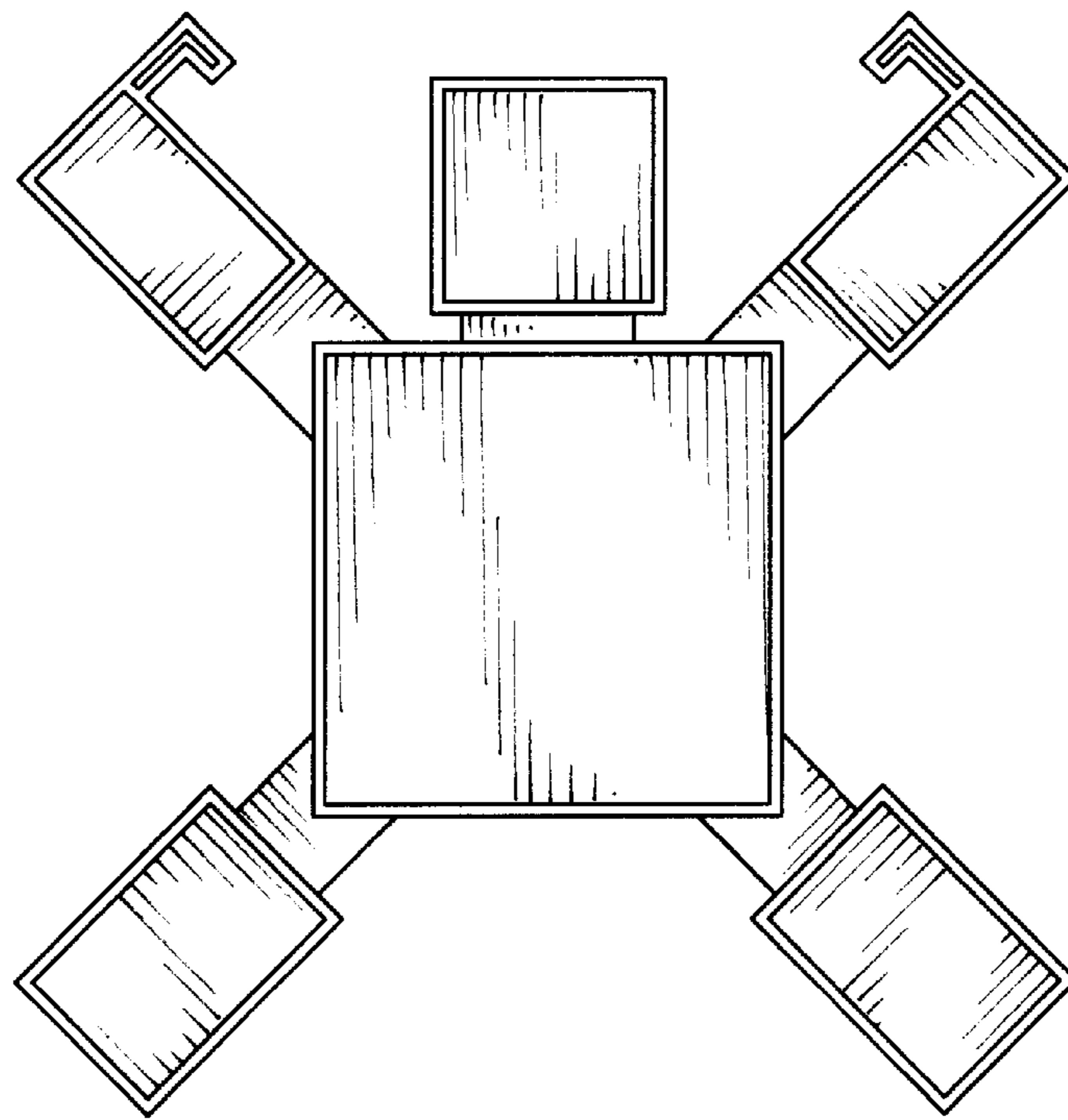


FIG. 12

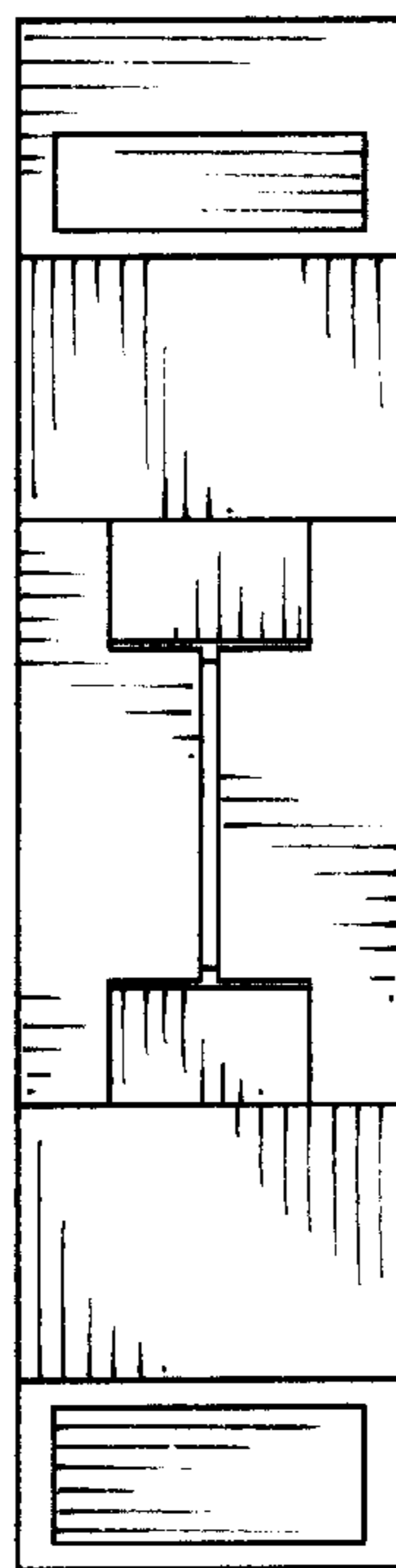


FIG. 13

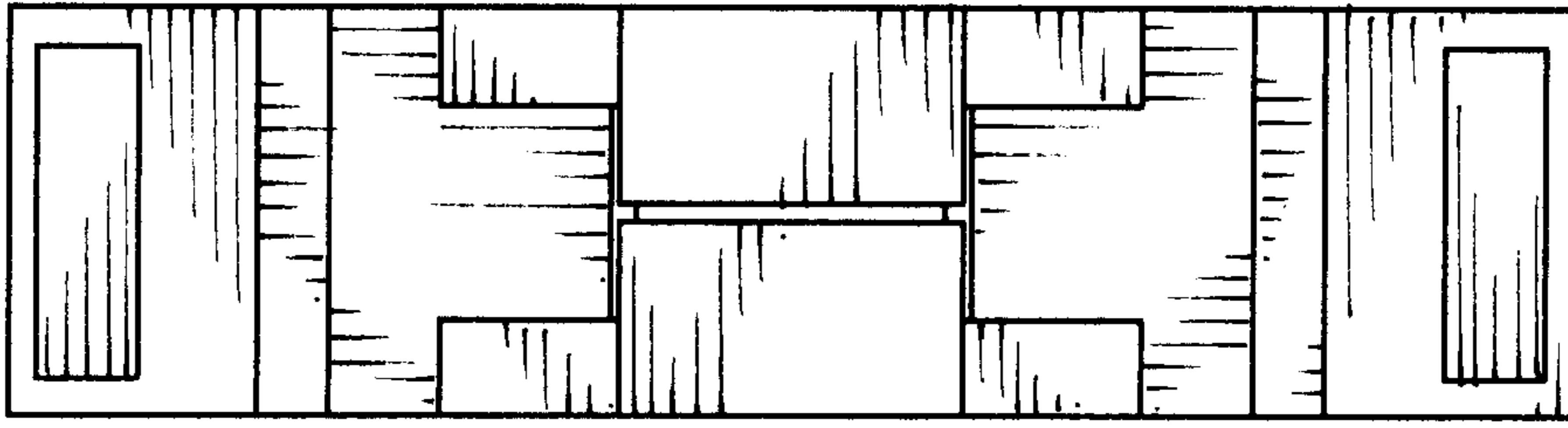


FIG. 14

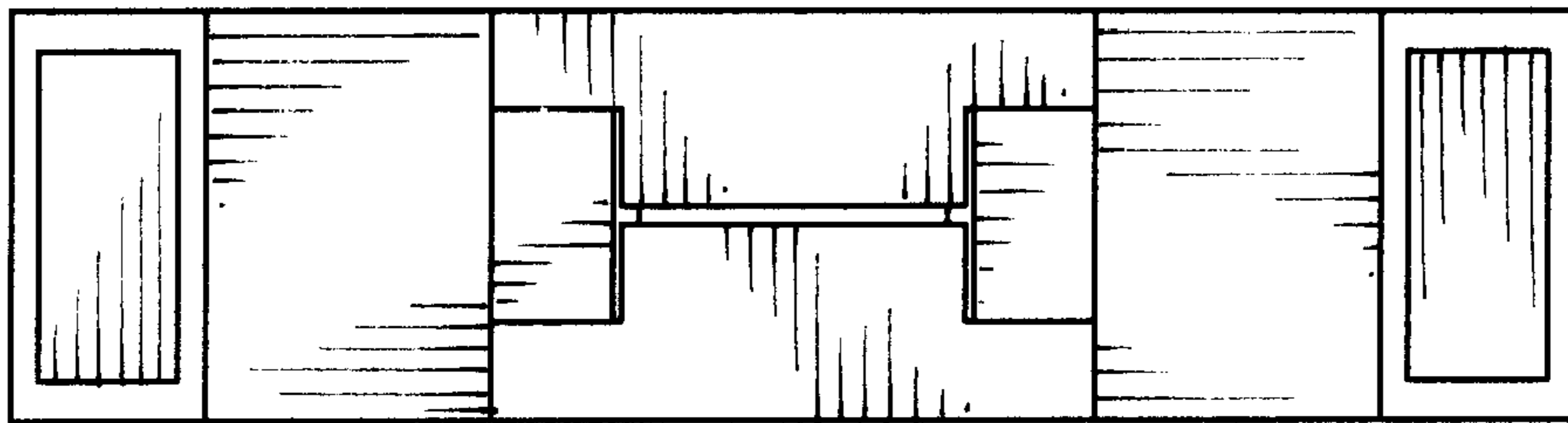


FIG. 15

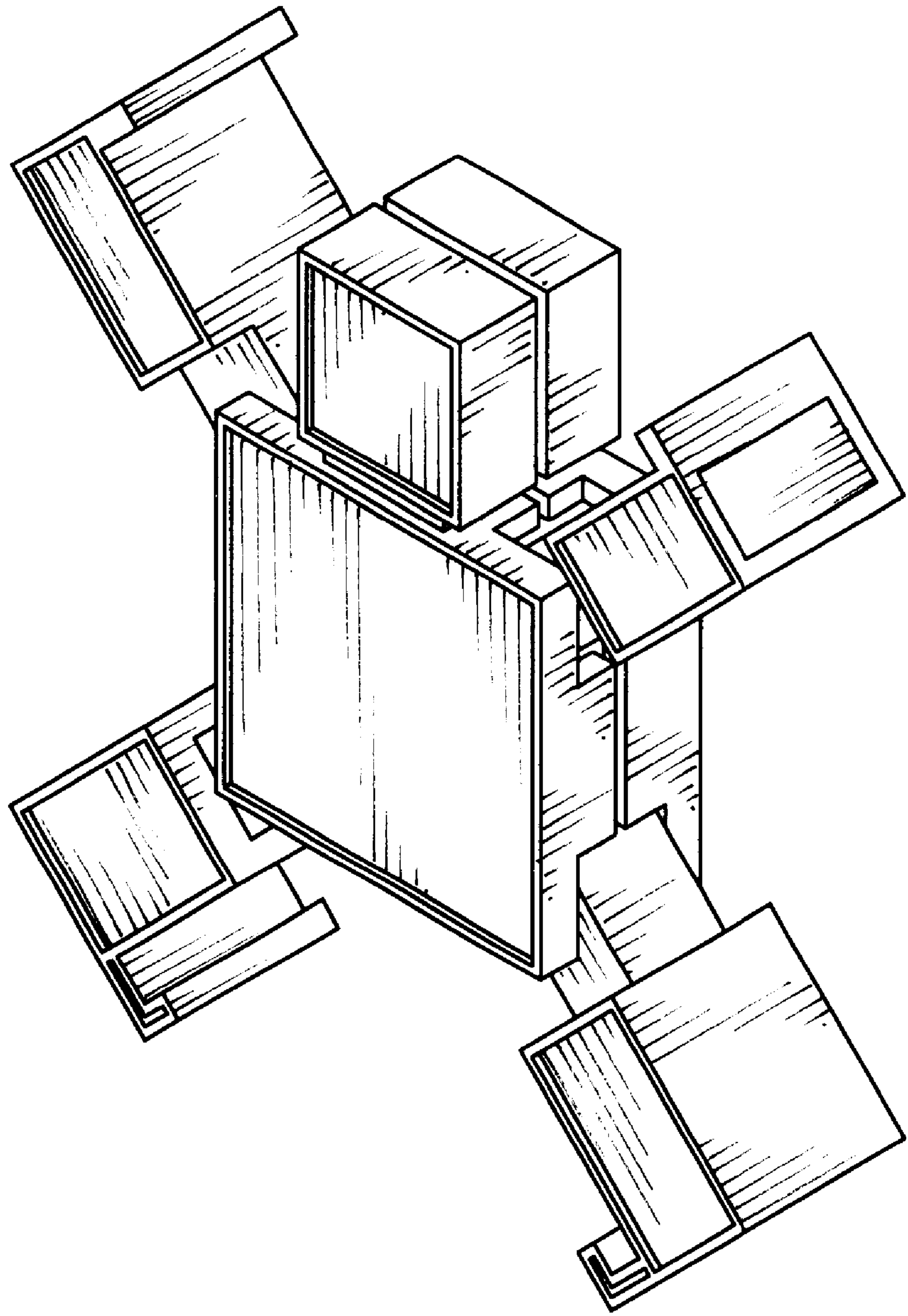


FIG. 16

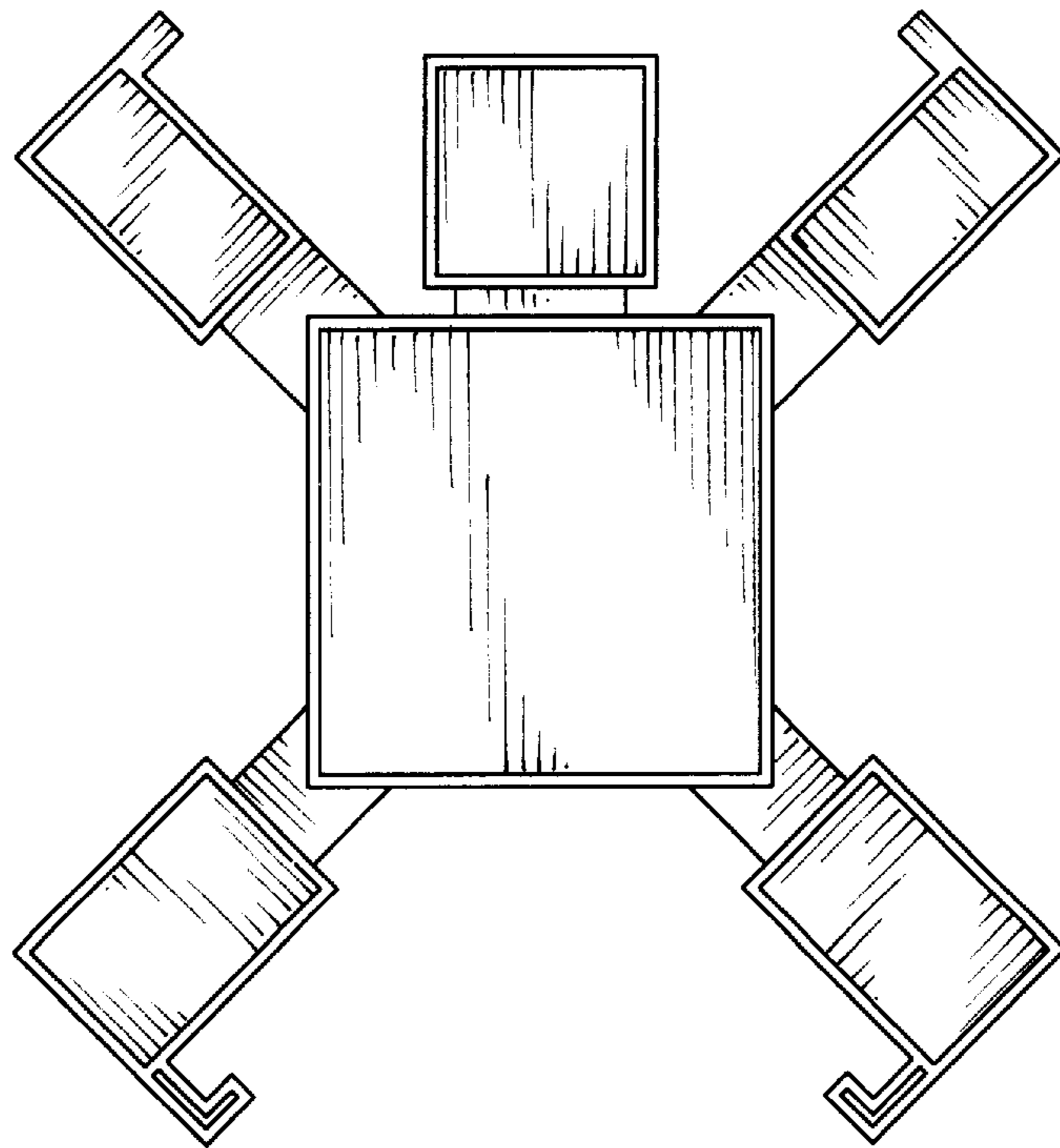


FIG. 17

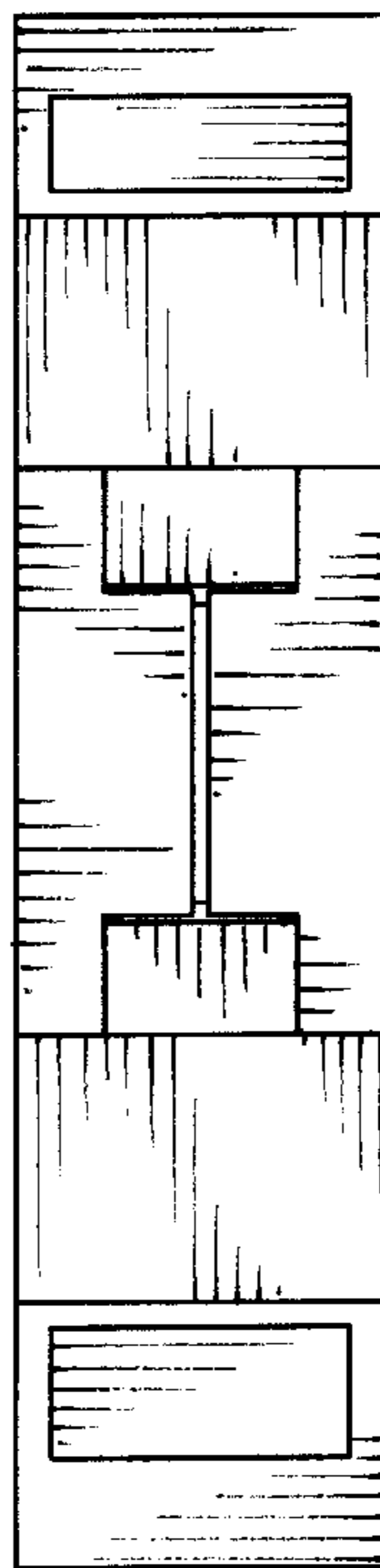


FIG. 18

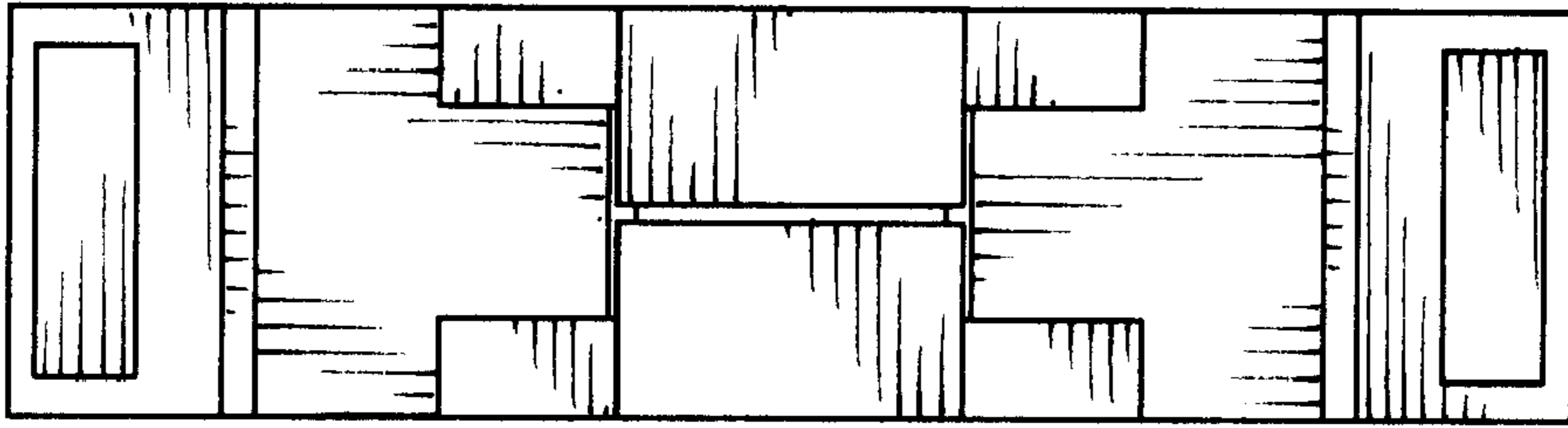


FIG. 19

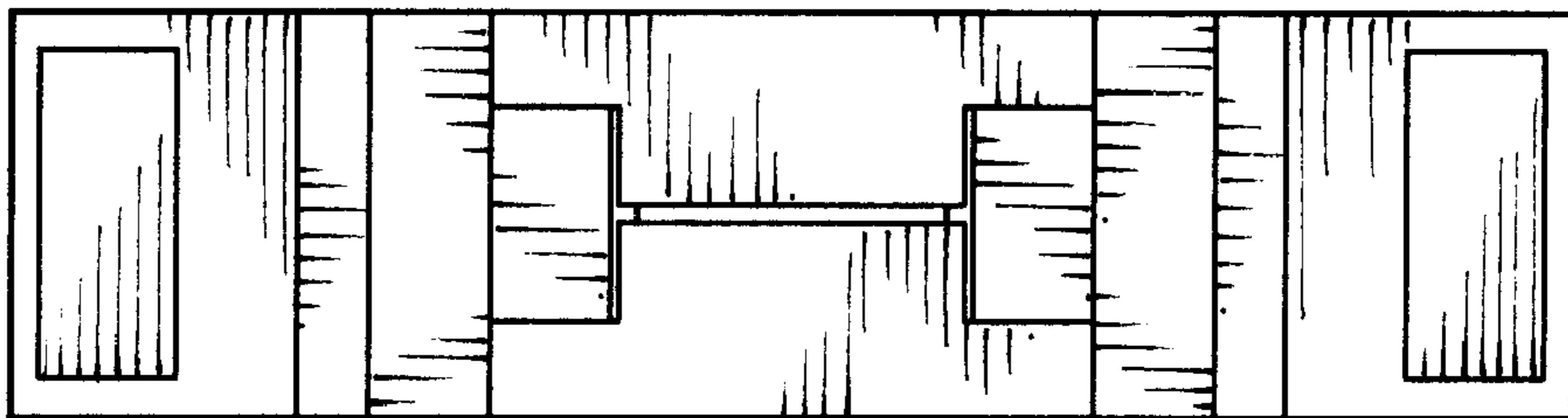


FIG. 20

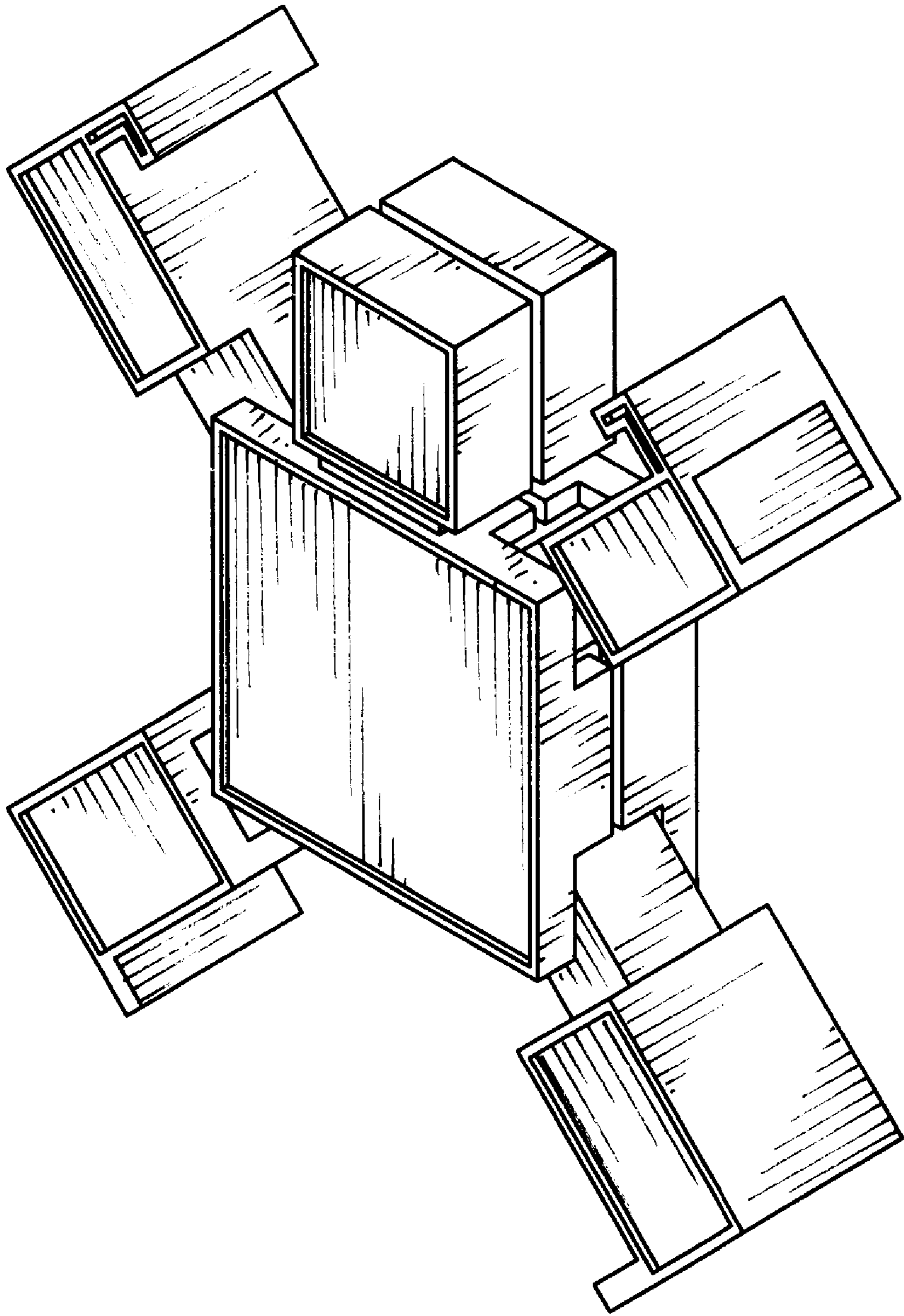


FIG. 21

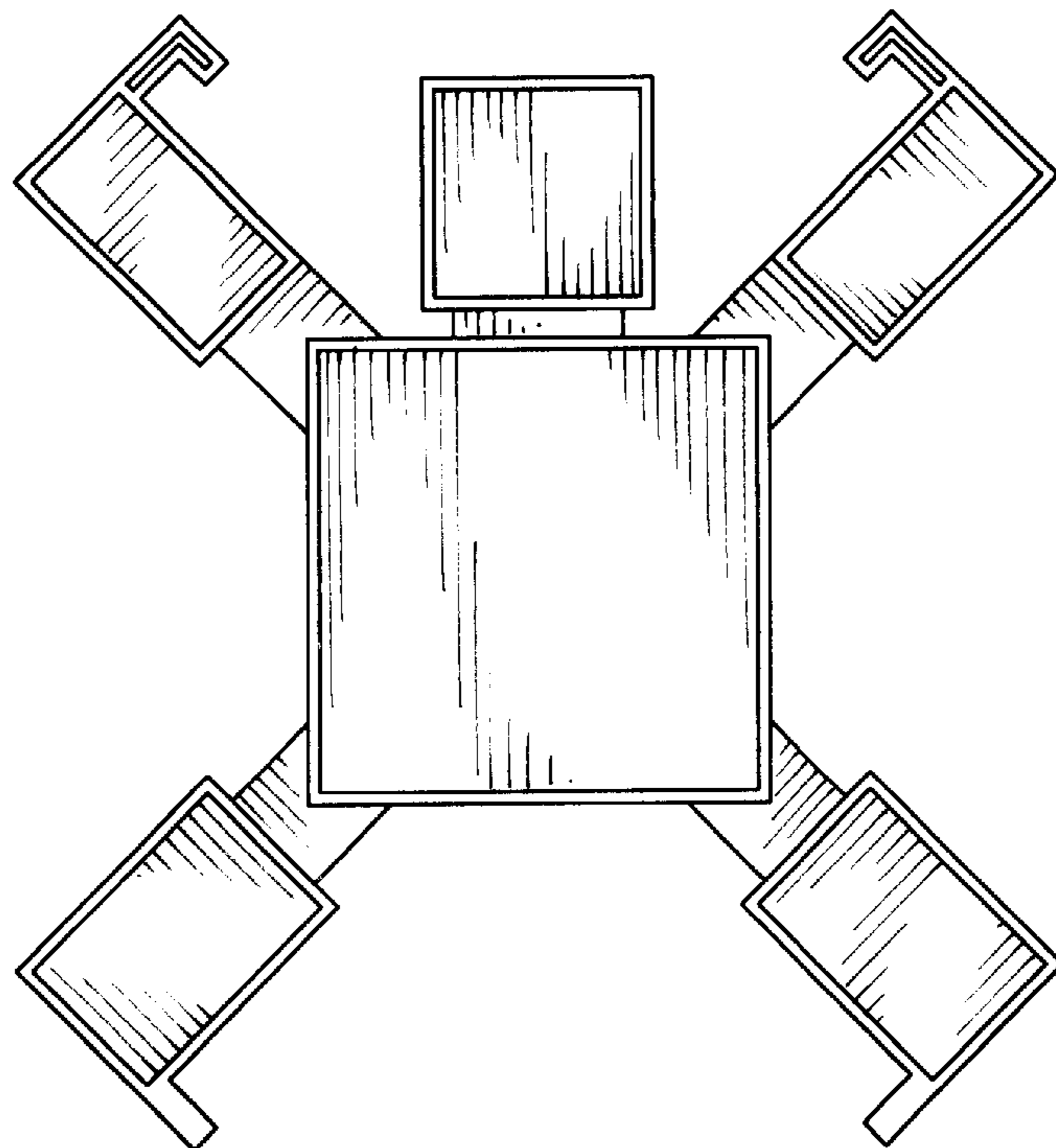


FIG. 22

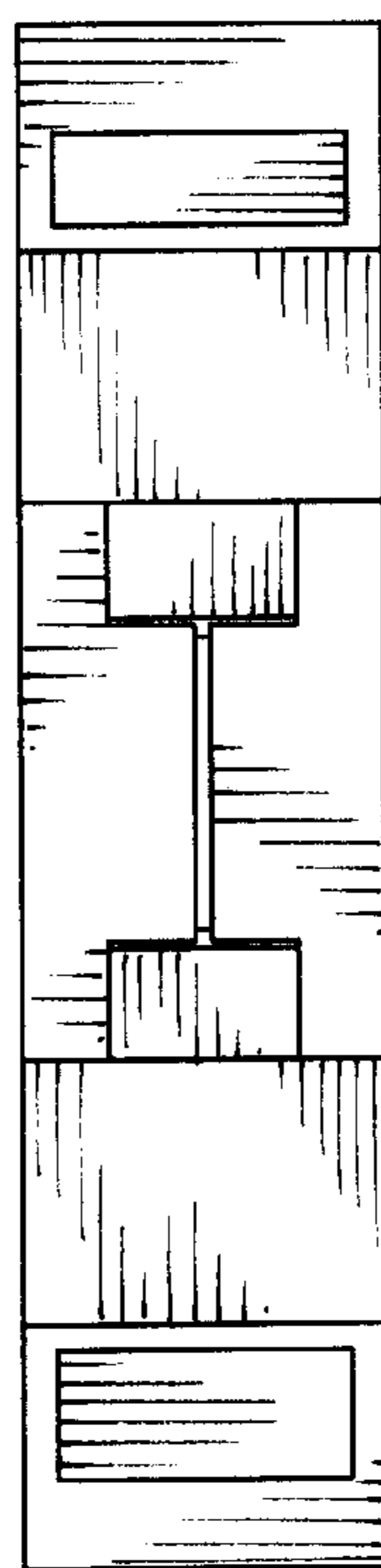


FIG. 23

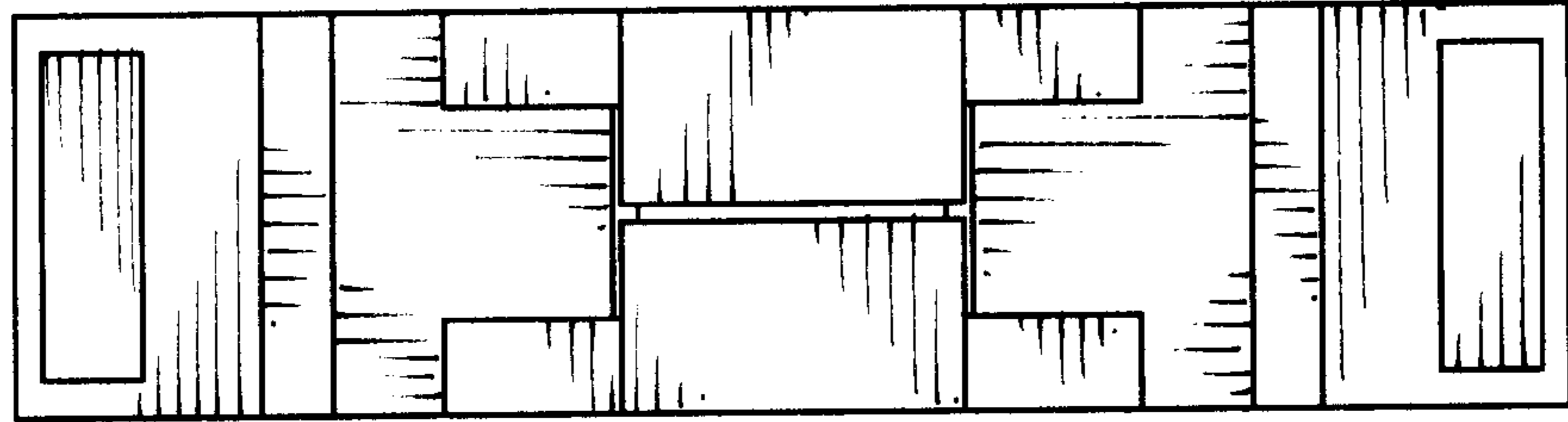


FIG. 24

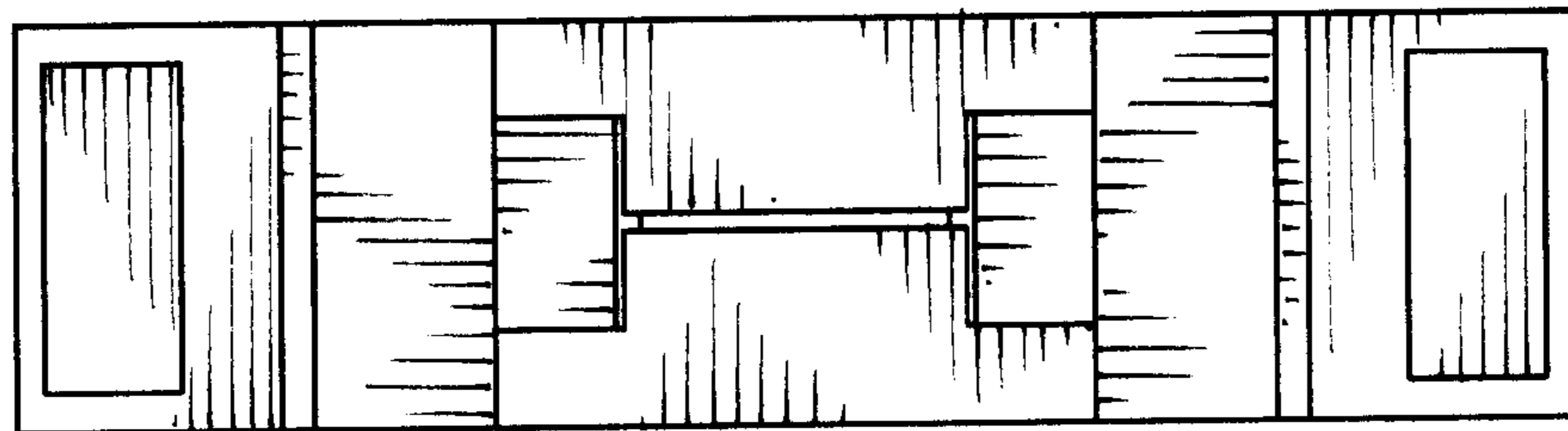


FIG. 25

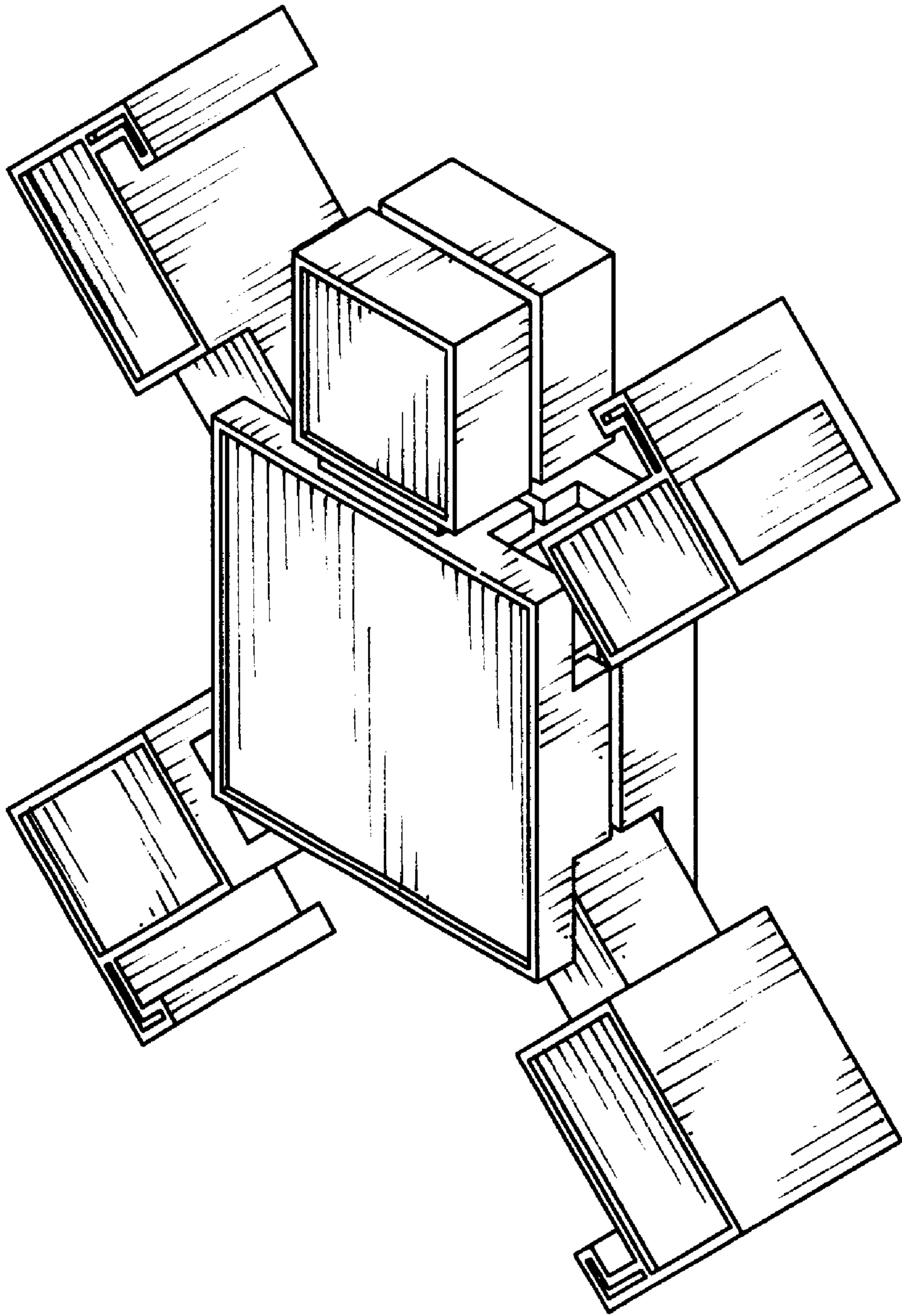


FIG. 26

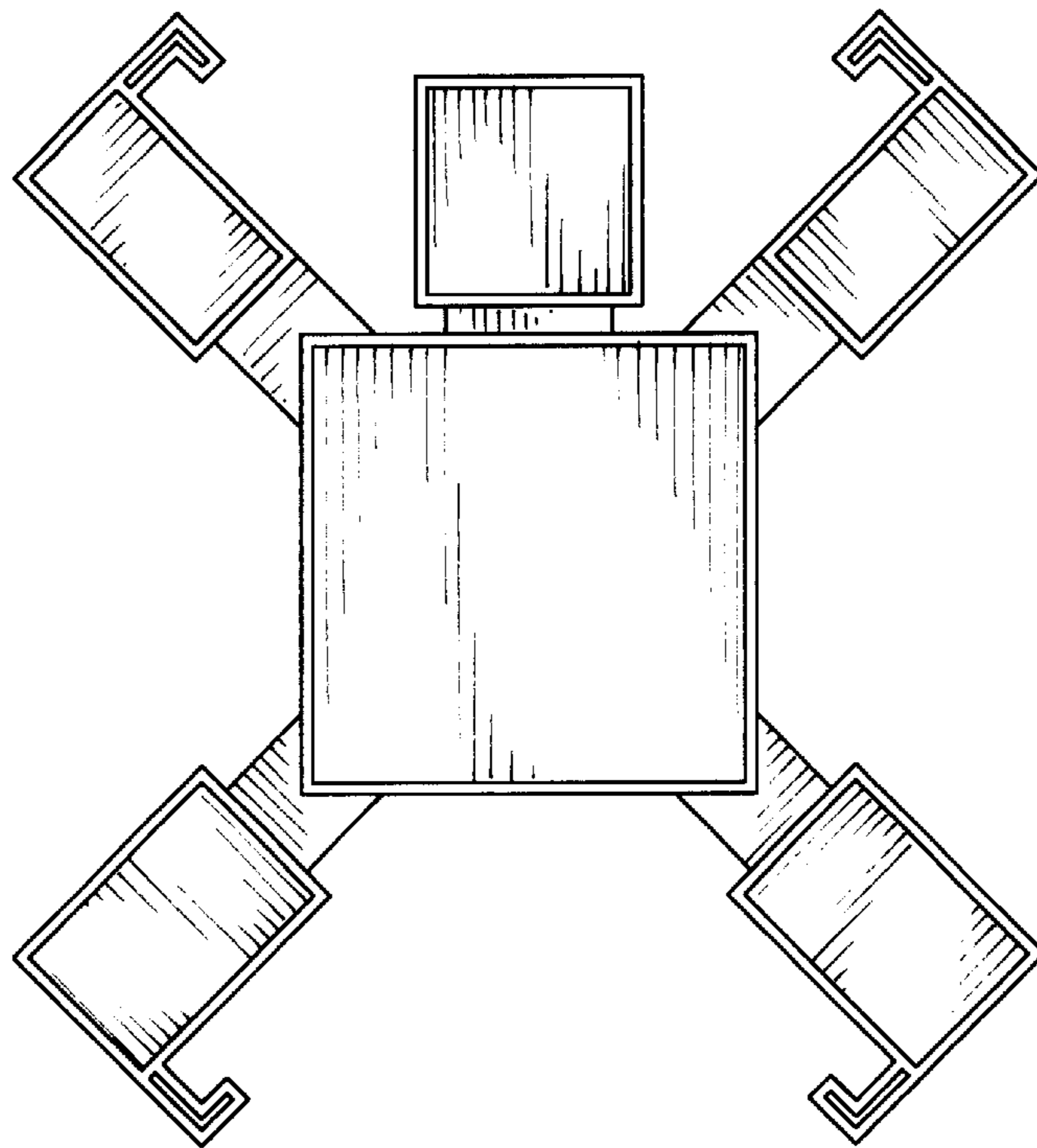


FIG. 27

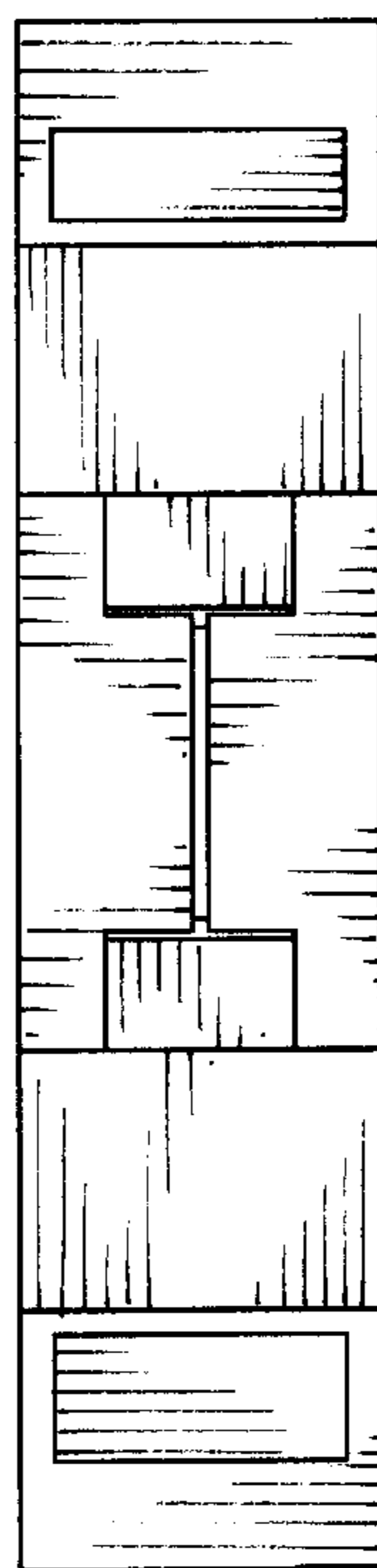


FIG. 28

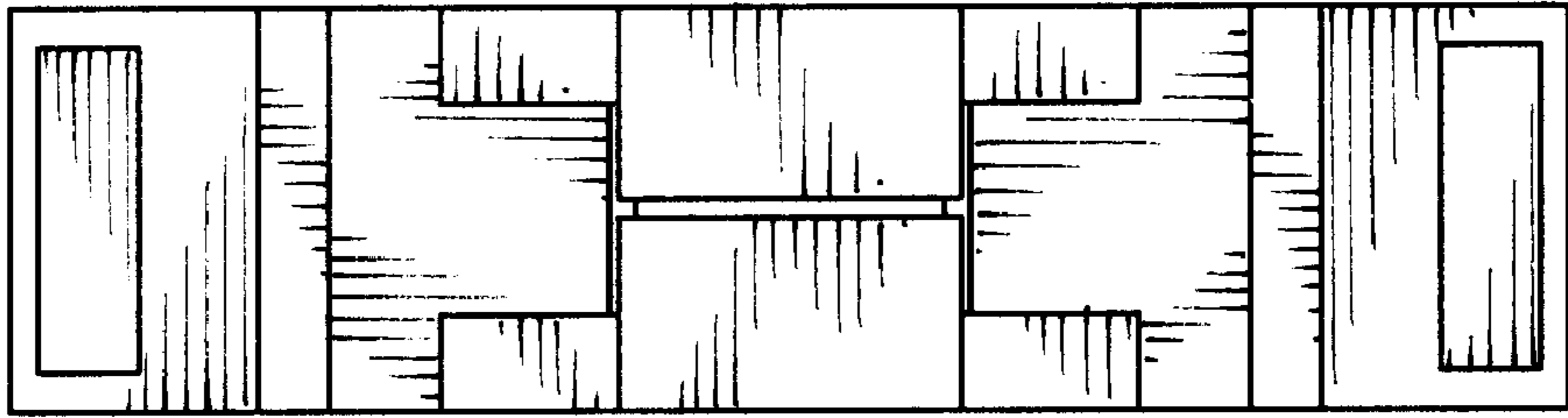


FIG. 29

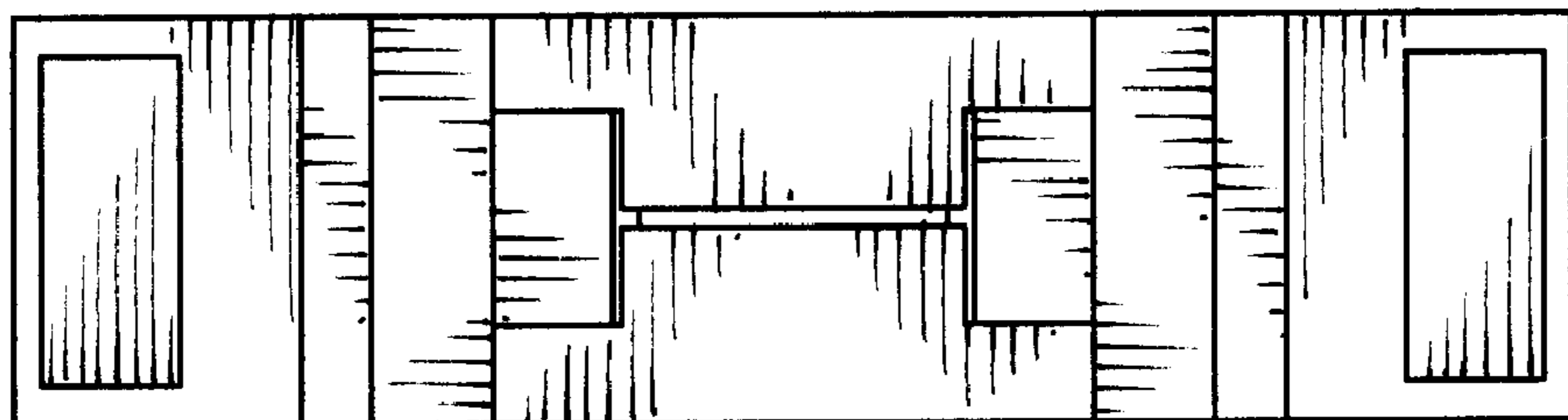


FIG. 30