



US00D474501S

(12) **United States Design Patent**
Hayashi

(10) **Patent No.:** **US D474,501 S**

(45) **Date of Patent:** **** May 13, 2003**

(54) **LASER BEAM PRINTER**

(75) Inventor: **Hideki Hayashi**, Fujimi (JP)

(73) Assignee: **Canon Kabushiki Kaisha**, Tokyo (JP)

(**) Term: **14 Years**

(21) Appl. No.: **29/160,678**

(22) Filed: **May 16, 2002**

(30) **Foreign Application Priority Data**

Nov. 21, 2001 (JP) 2001-034134

(51) **LOC (7) Cl.** **14-02**

(52) **U.S. Cl.** **D18/55**

(58) **Field of Search** D18/36-39, 50,
D18/53-55; 400/613, 613.1-613.4, 691-694,
690.1-690.4; D14/462-470

(56) **References Cited**

U.S. PATENT DOCUMENTS

- D414,799 S * 10/1999 Cook et al. D18/55
- D421,455 S * 3/2000 Kobayashi et al. D18/54
- D431,048 S * 9/2000 Gassett et al. D18/55

D439,275 S * 3/2001 Ohashi D18/55

D439,276 S * 3/2001 Kemmochi et al. D18/55

D450,756 S * 11/2001 Fetherolf et al. D18/55

D461,492 S * 8/2002 Bishop et al. D18/55

D465,514 S * 11/2002 Toh et al. D18/55

* cited by examiner

Primary Examiner—Cathy Anne MacCormac

(74) *Attorney, Agent, or Firm*—Fitzpatrick, Cella, Harper & Scinto

(57) **CLAIM**

The ornamental design for a laser beam printer, as shown and described.

DESCRIPTION

FIG. 1 is a front view of a laser beam printer showing my new design;

FIG. 2 is a rear view thereof;

FIG. 3 is a top plan view thereof;

FIG. 4 is a bottom plan view thereof;

FIG. 5 is a left side view thereof;

FIG. 6 is a right side view thereof; and,

FIG. 7 is a perspective view thereof.

1 Claim, 5 Drawing Sheets

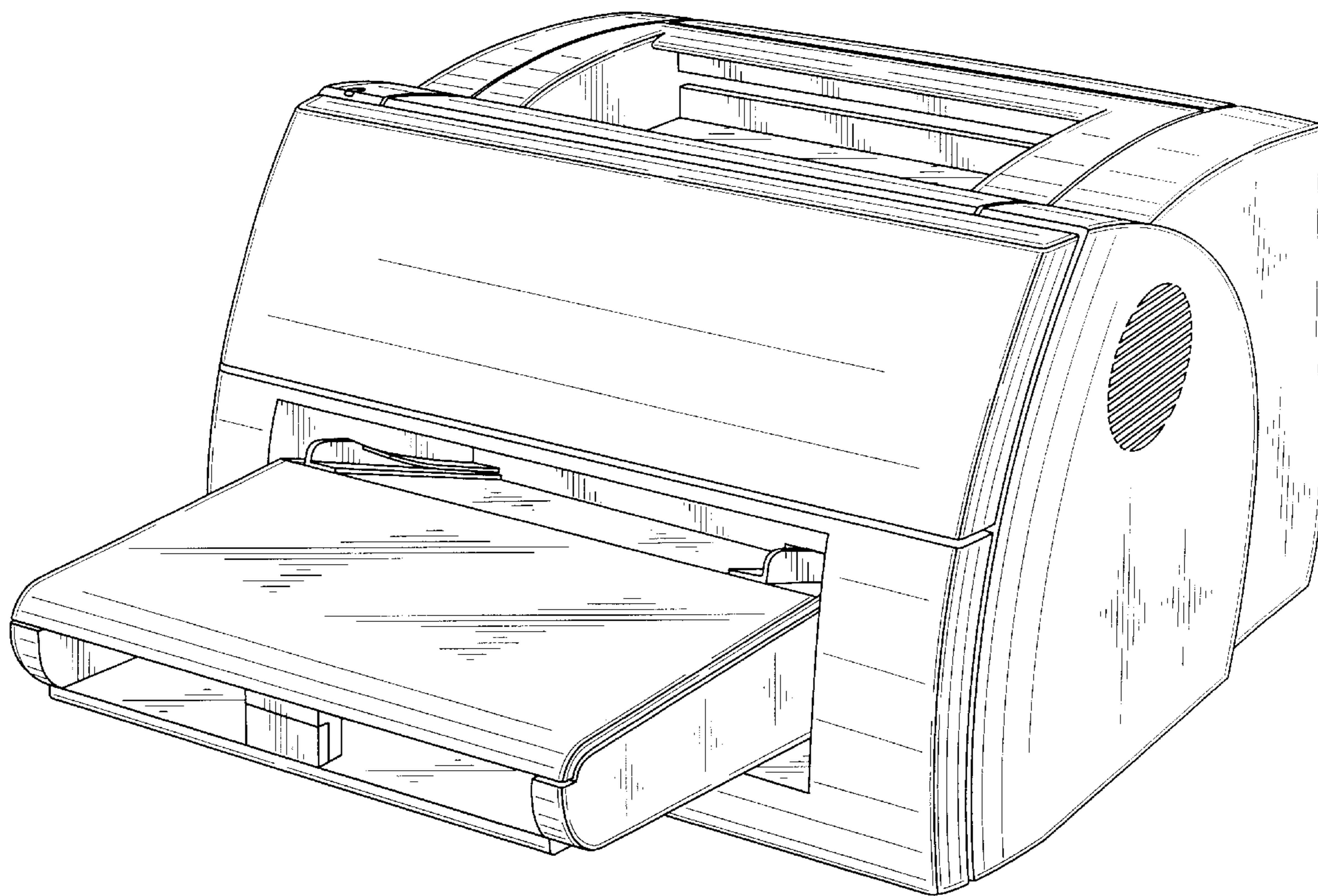


FIG. 1

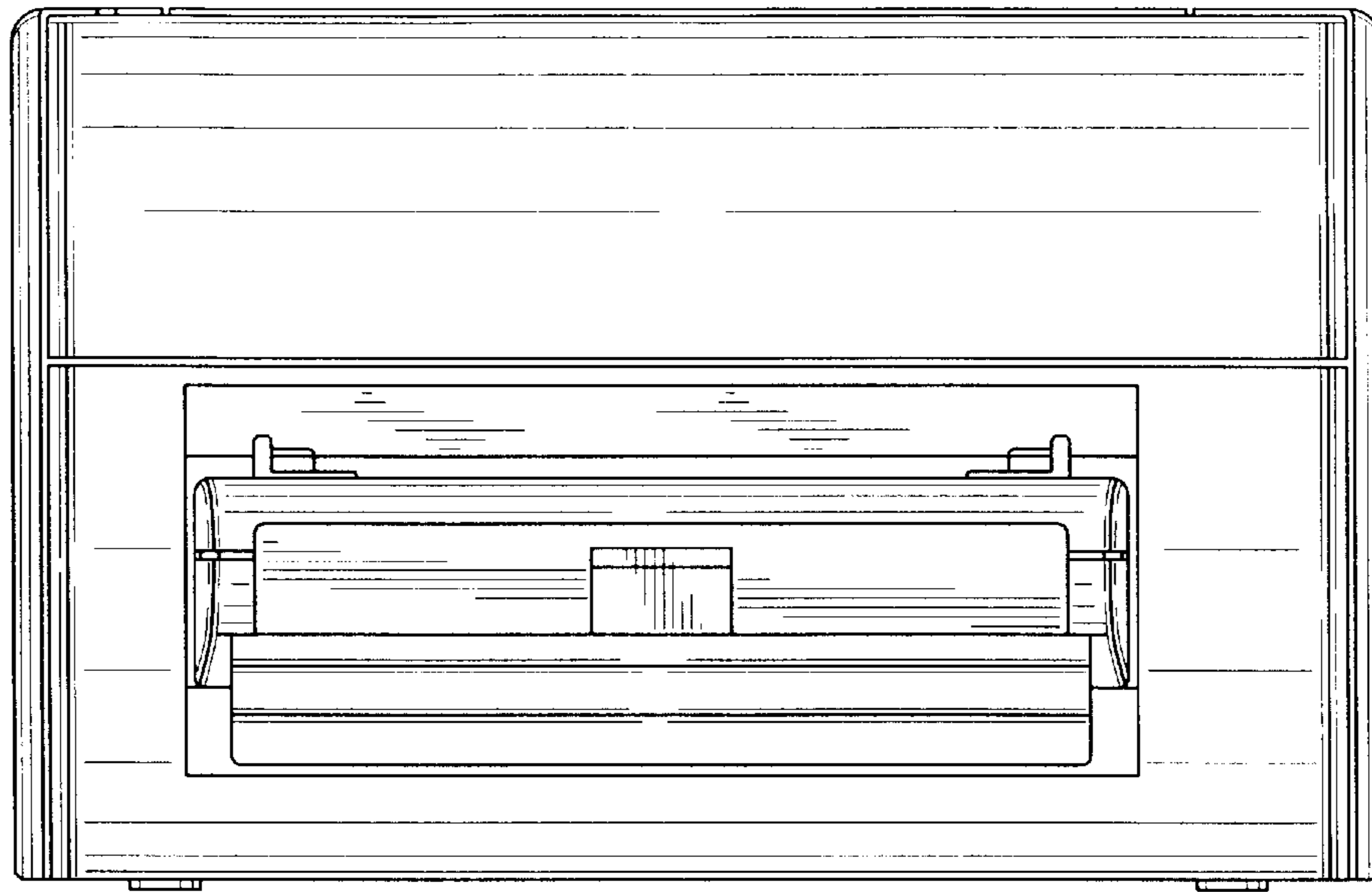


FIG. 2

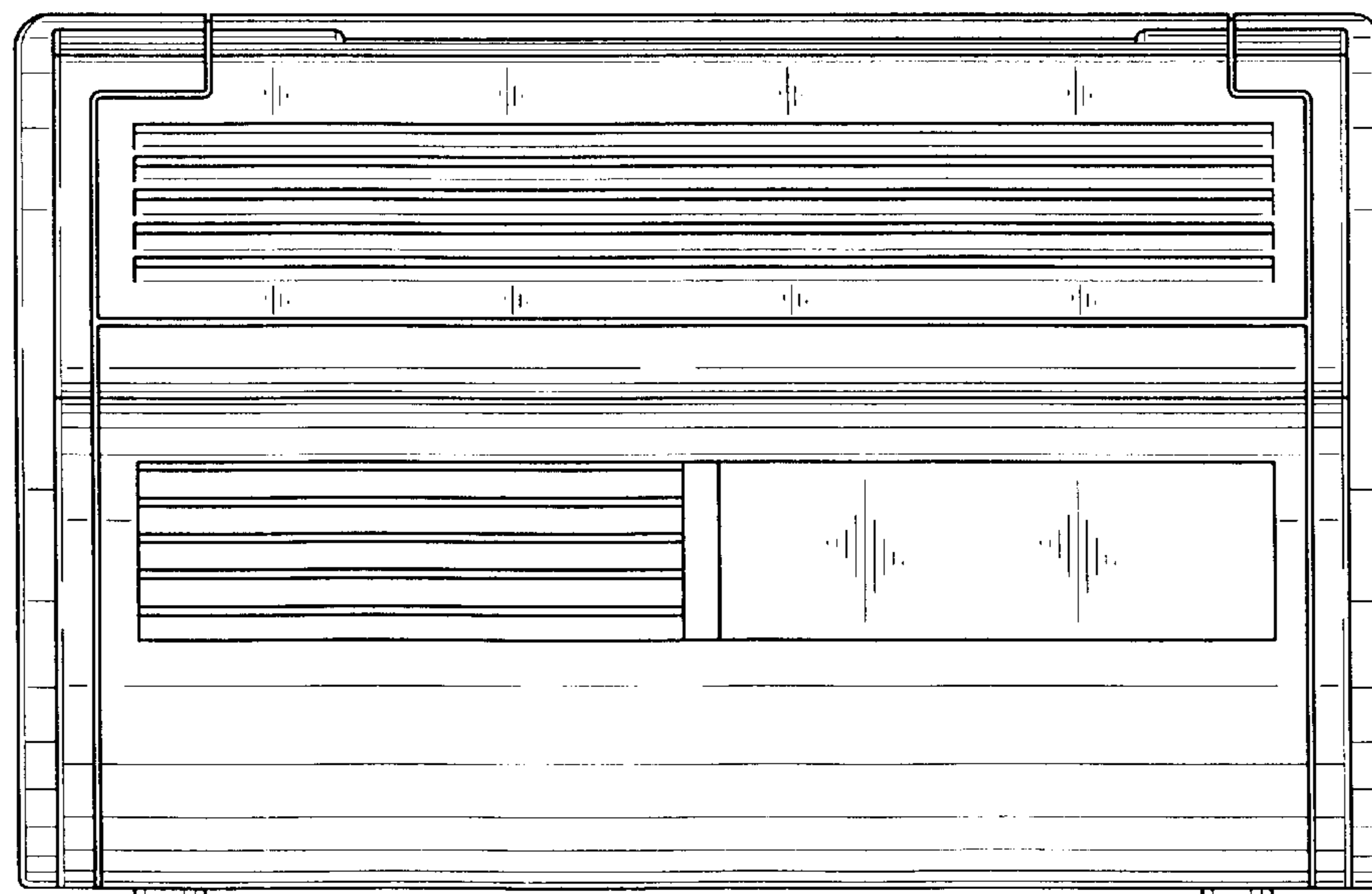


FIG. 3

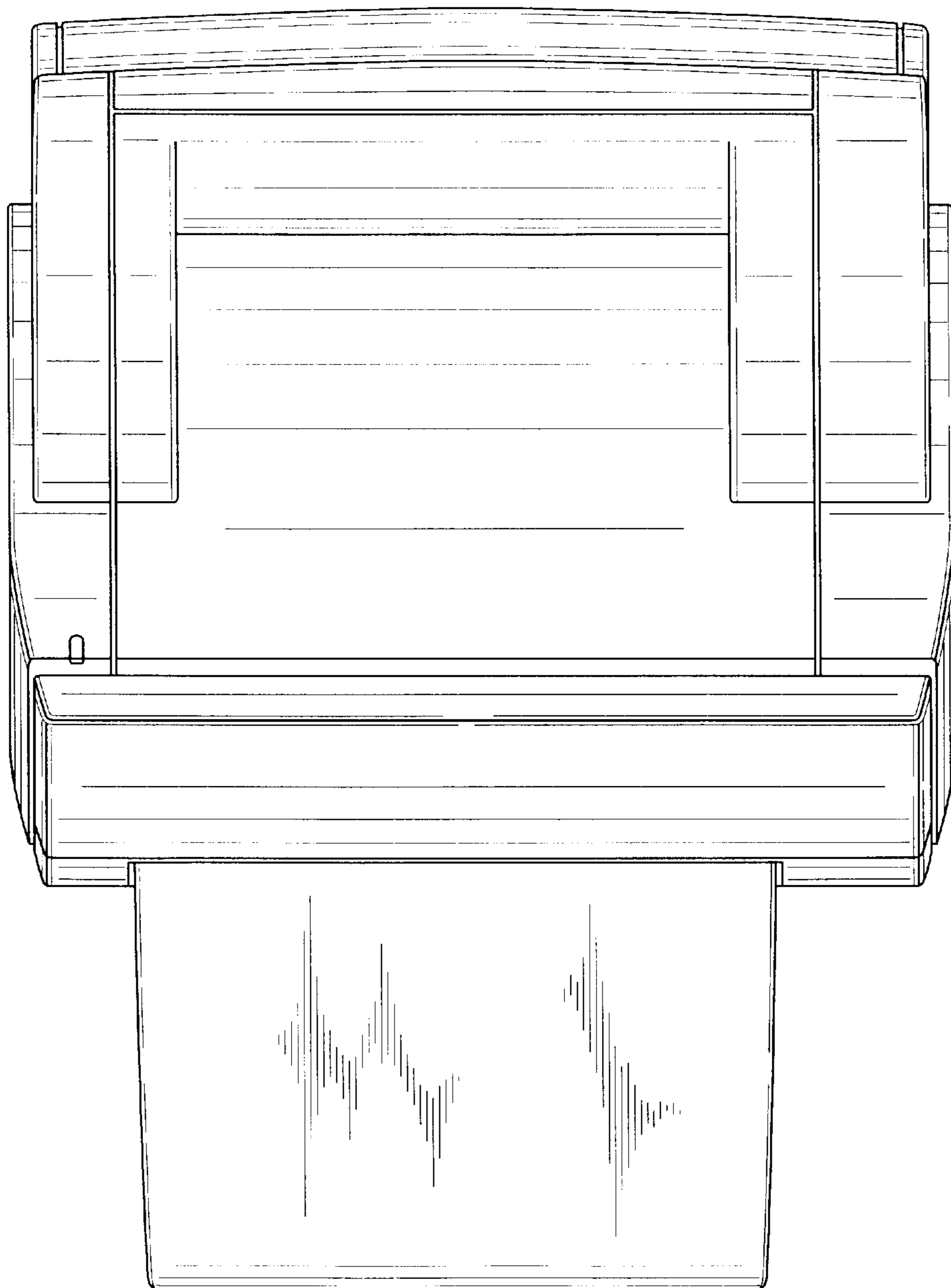


FIG. 4

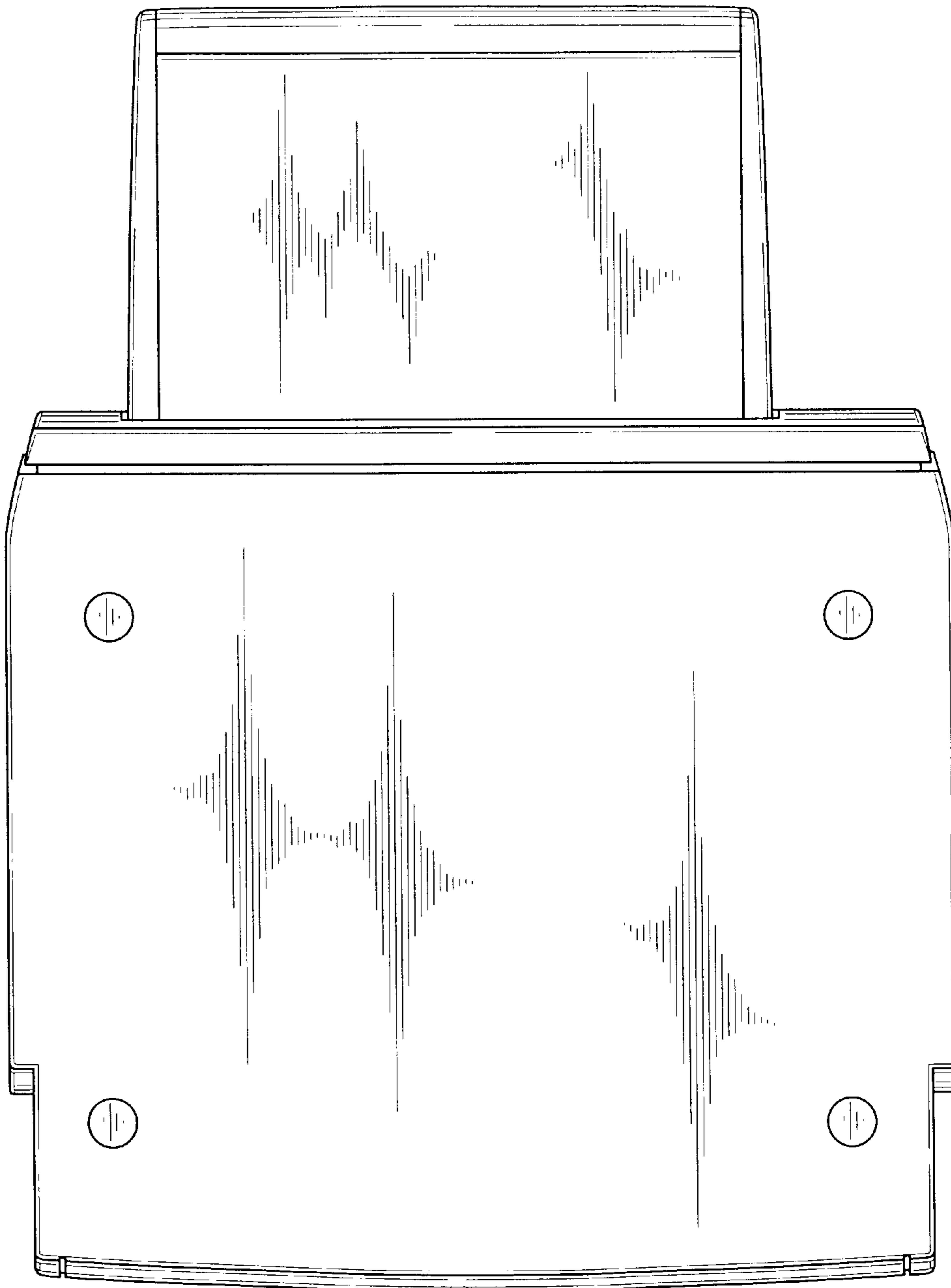


FIG. 5

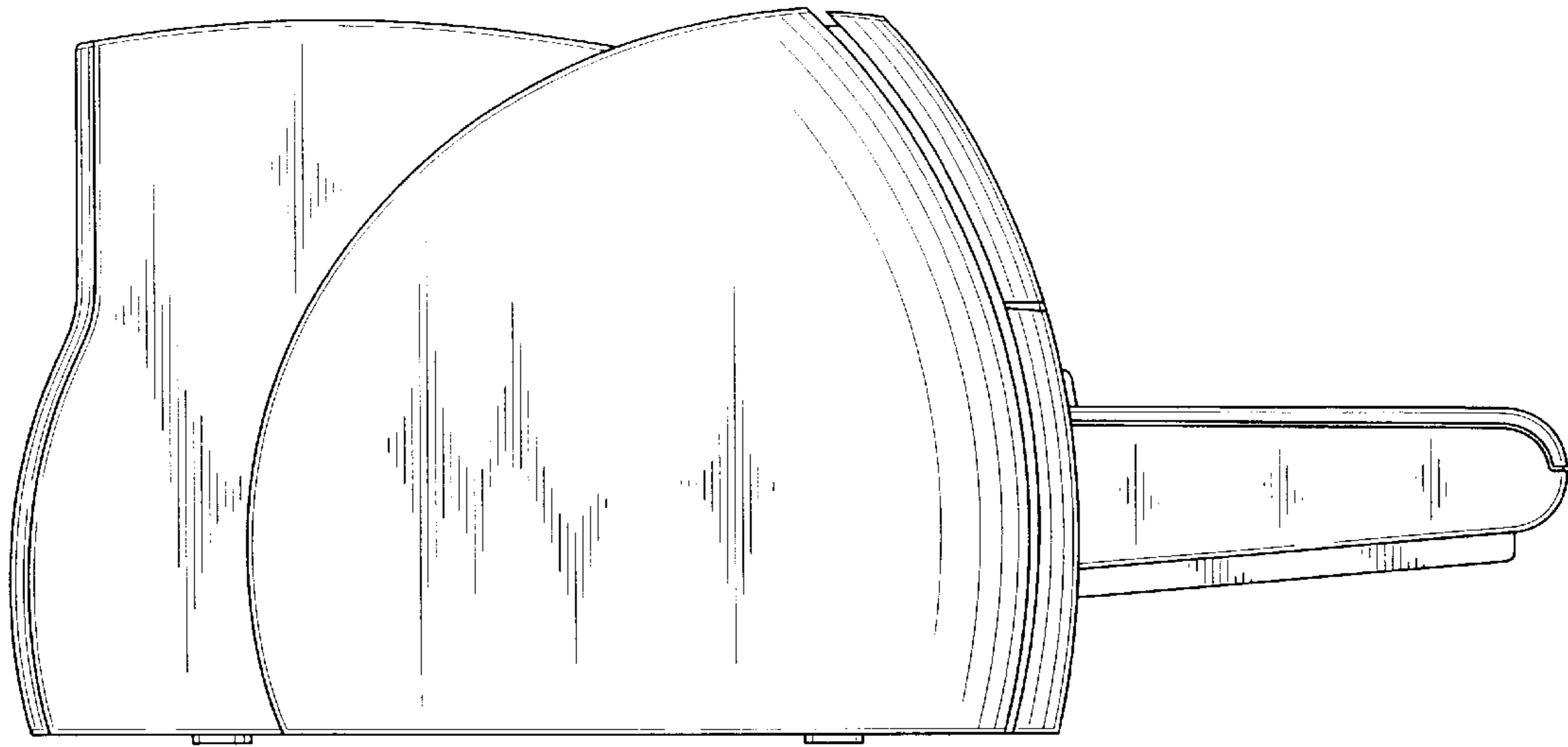


FIG. 6

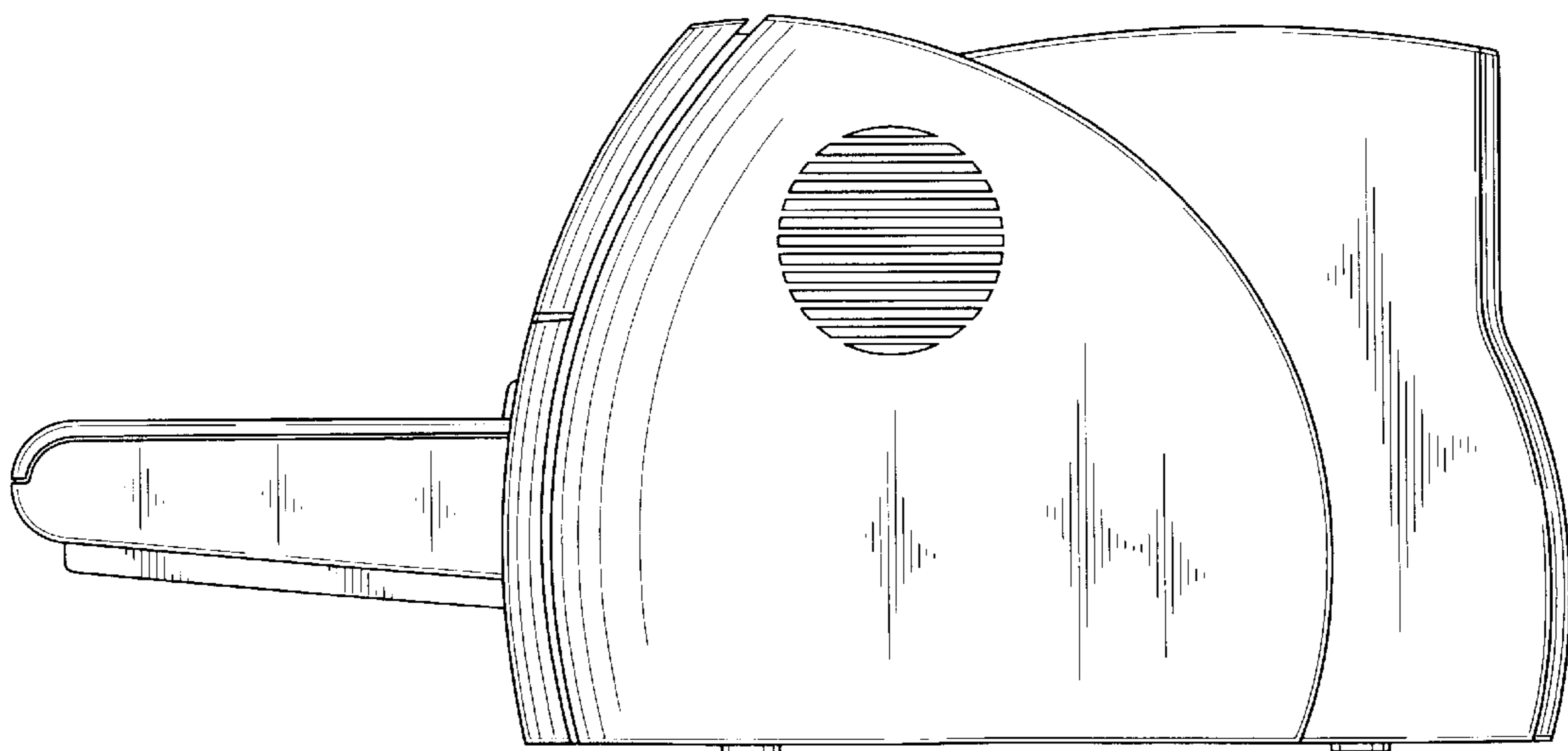


FIG. 7

