



US00D474494S

(12) **United States Design Patent**  
**Petersen et al.**

(10) **Patent No.:** **US D474,494 S**

(45) **Date of Patent:** **\*\* May 13, 2003**

(54) **HAND EMBOSSING STAMP**

(76) Inventors: **Craig J. Petersen**, 2600 Greenleaf Ave., Elk Grove Village, IL (US) 60007; **Ravi Venkataraman**, 1763 Timber Trail, Cookeville, TN (US) 38501

(\*\*) Term: **14 Years**

(21) Appl. No.: **29/155,917**

(22) Filed: **Feb. 19, 2002**

(51) **LOC (7) Cl.** ..... **19-02**

(52) **U.S. Cl.** ..... **D18/19**

(58) **Field of Search** ..... D18/19; 156/384; 101/31, 31.1

(56) **References Cited**

**U.S. PATENT DOCUMENTS**

1,365,401	A	*	1/1921	Hellberg	.....	101/31.1
D103,980	S	*	4/1937	Sachs et al.	.....	D18/15
2,706,447	A	*	4/1955	Priesmeyer	.....	101/31.1
2,998,766	A	*	9/1961	Priesmeyer	.....	101/31.1
3,313,231	A	*	4/1967	Priesmeyer et al.	.....	101/31.1
D213,026	S	*	12/1968	Stephens	.....	D18/14

3,587,454	A	*	6/1971	Meyer et al.	.....	101/31.1
D247,390	S	*	2/1978	Sato	.....	D18/19
5,819,647	A	*	10/1998	Balosh	.....	101/31.1

\* cited by examiner

*Primary Examiner*—Charles A. Rademaker  
(74) *Attorney, Agent, or Firm*—Knechtel Demeur & Samlan

(57) **CLAIM**

We claim the ornamental design for a hand embossing stamp, as shown and described.

**DESCRIPTION**

FIG. 1 is a perspective view for a hand embossing stamp showing our new design;  
FIG. 2 is a front elevation view thereof;  
FIG. 3 is a right side elevation view thereof;  
FIG. 4 is a rear view thereof;  
FIG. 5 is a top plan view thereof; and,  
FIG. 6 is a bottom plan view thereof.

The broken line showing a portion the hand embossing stamp is for illustrative purposes only and forms no part of the claim.

**1 Claim, 2 Drawing Sheets**

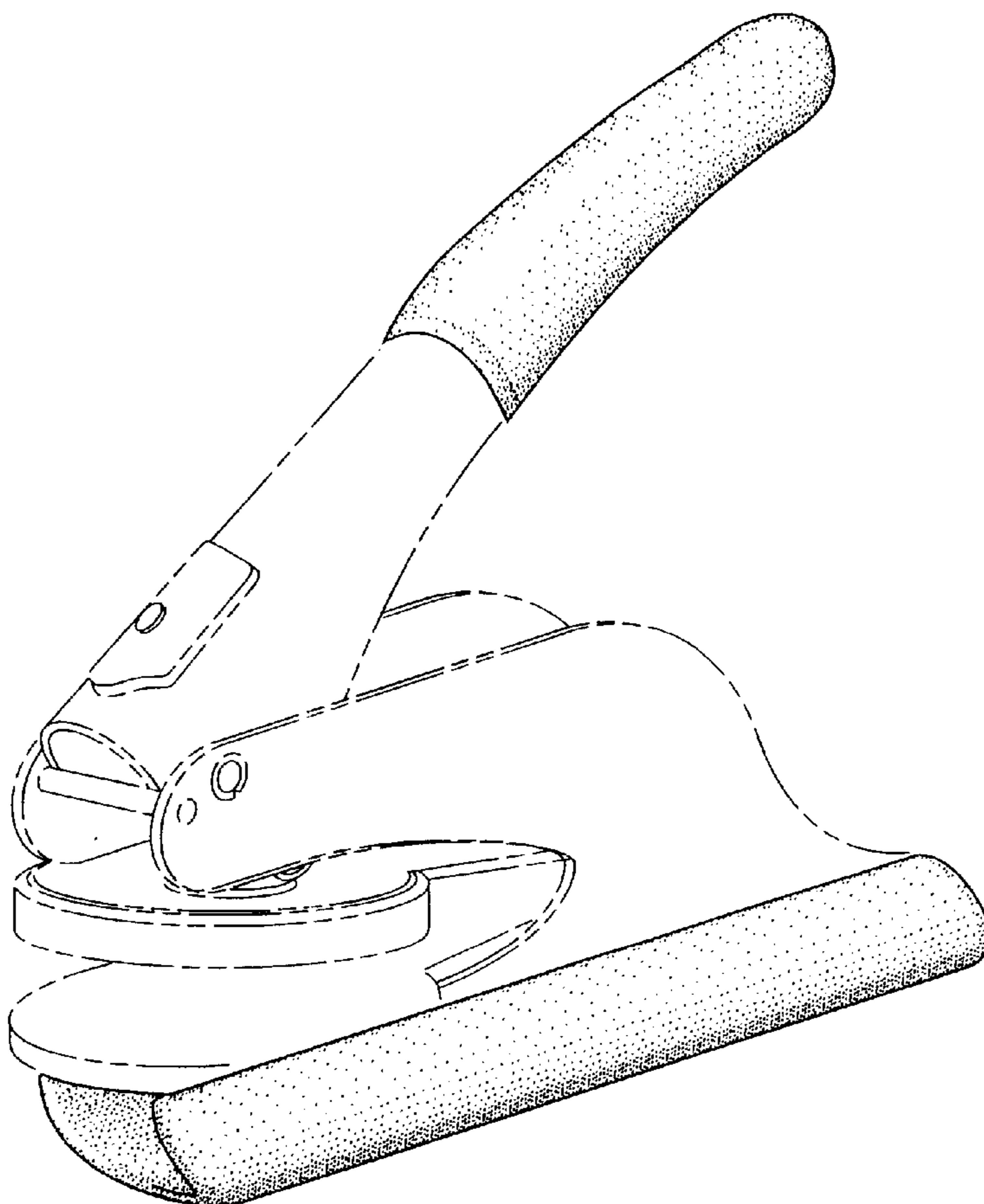


Fig. 1

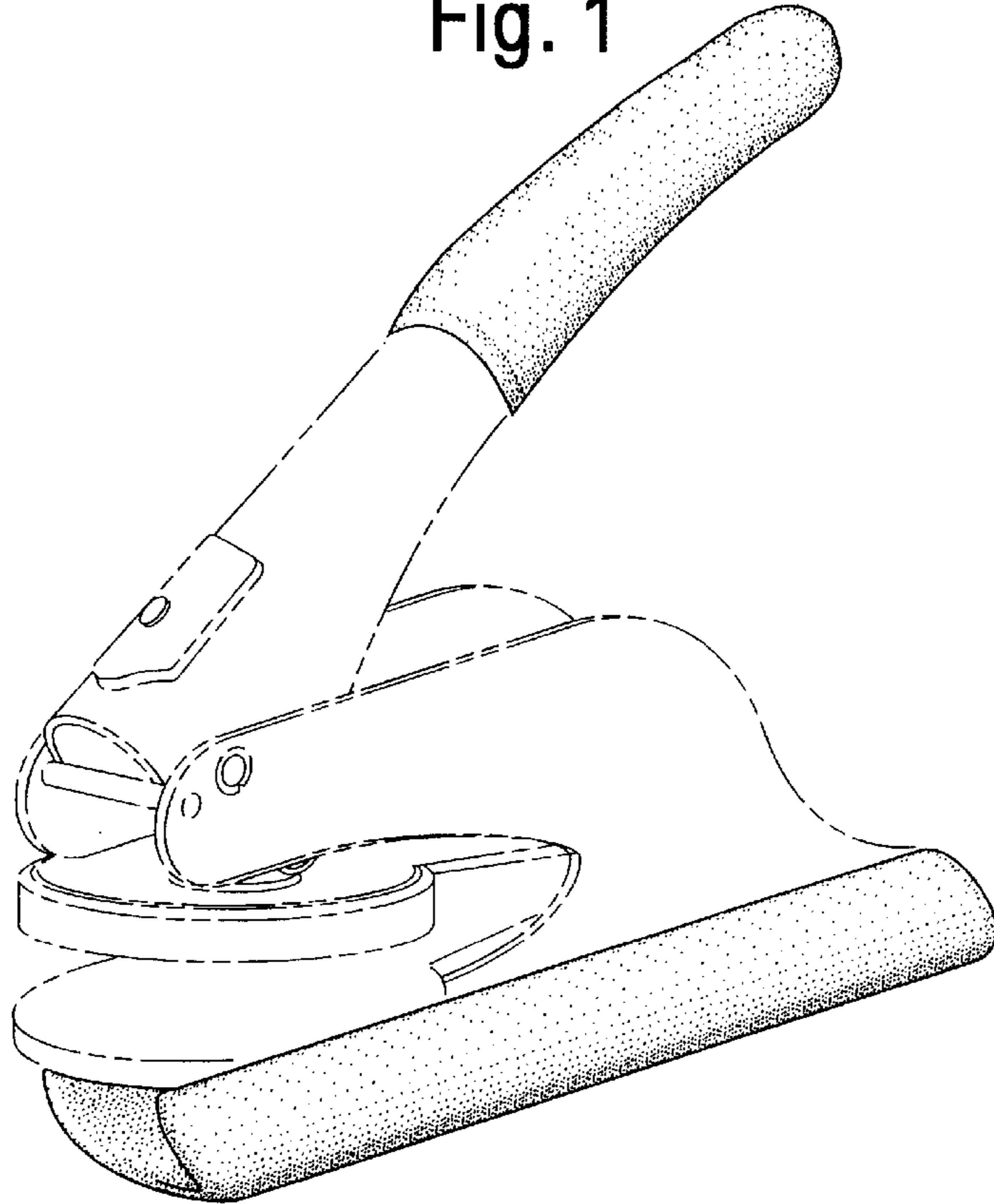


Fig. 2

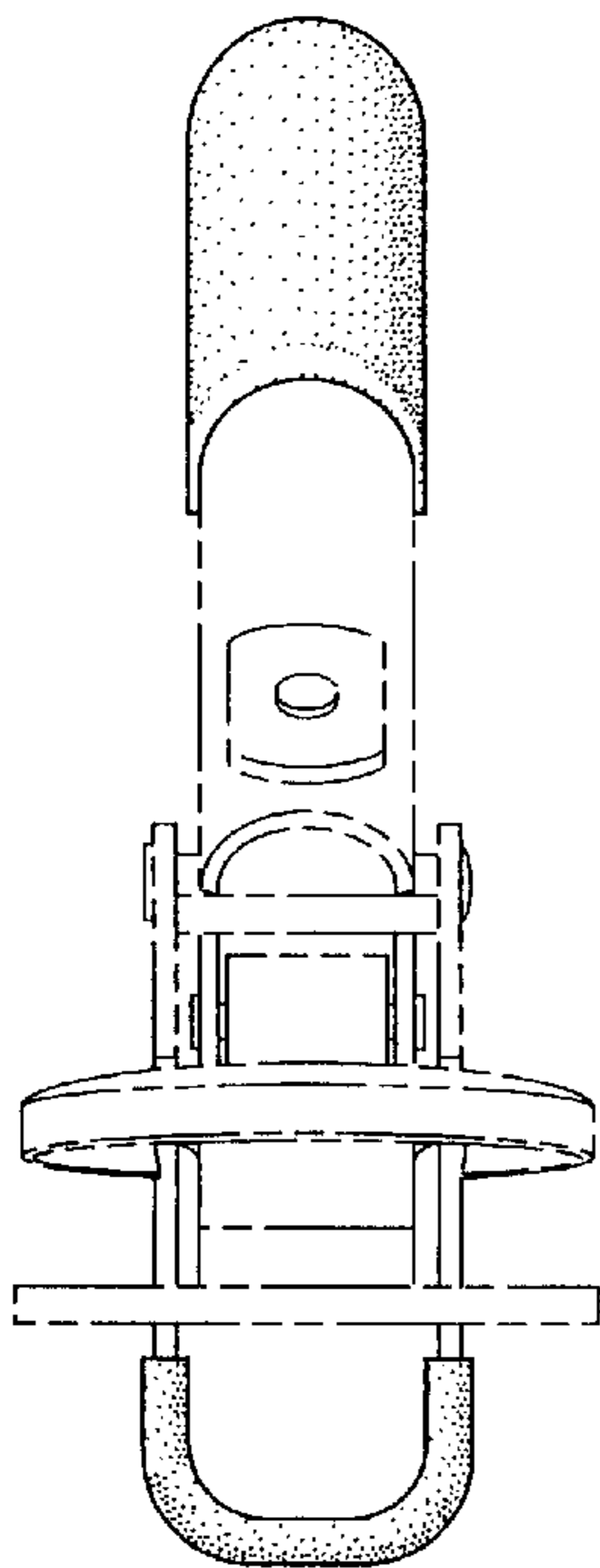


Fig. 3

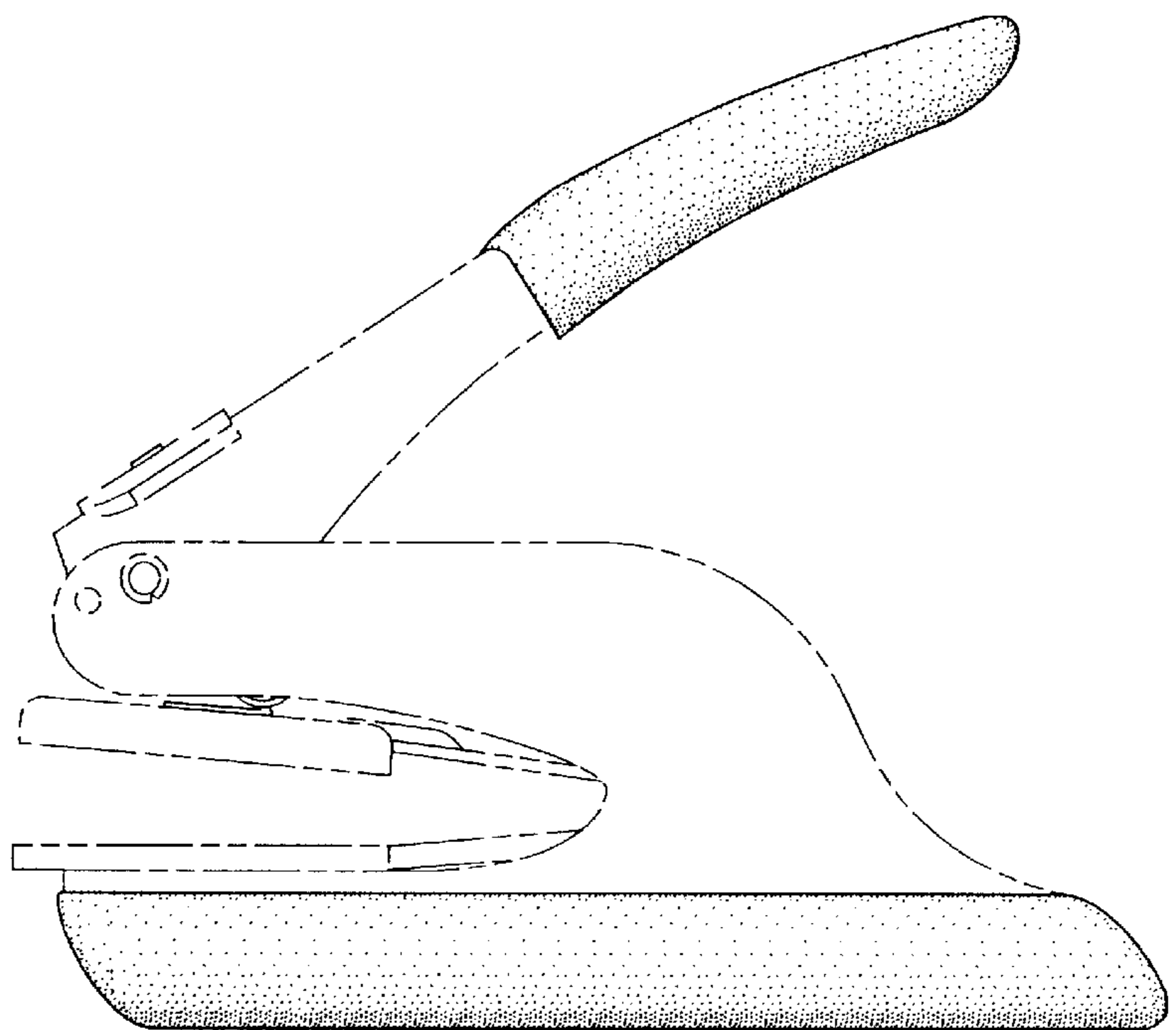


Fig. 4

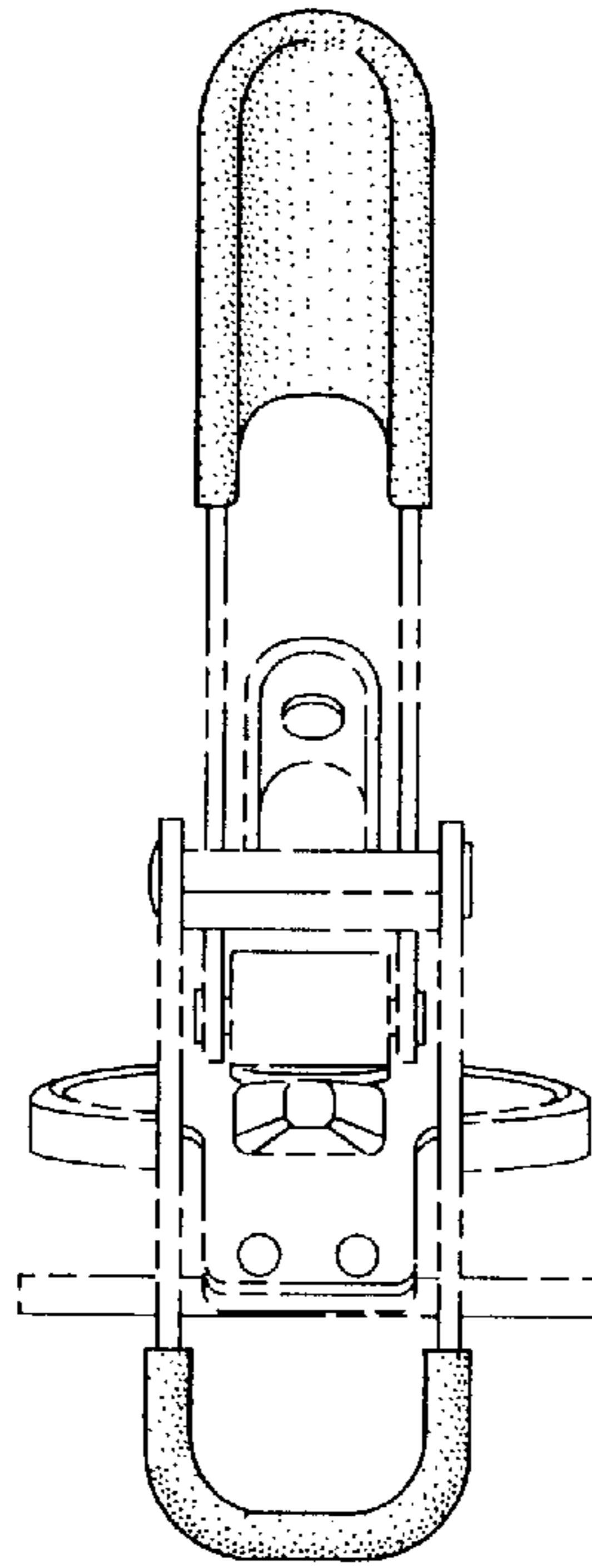


Fig. 5

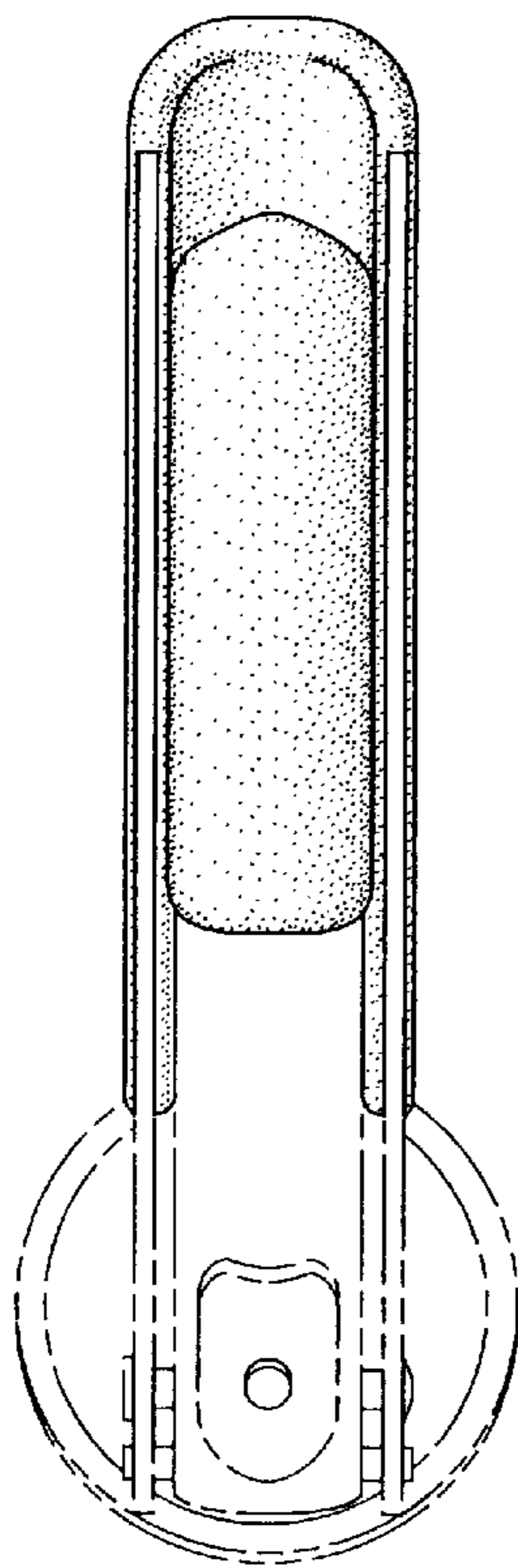


Fig. 6

