



US00D474493S

(12) **United States Design Patent**
Tuttle

(10) **Patent No.:** **US D474,493 S**

(45) **Date of Patent:** **** May 13, 2003**

(54) **MUSICAL KEYBOARD**

DESCRIPTION

(76) Inventor: **Raglan Tuttle**, 555 Vallombrosa Ave., #30, Chico, CA (US) 95926

(**) Term: **14 Years**

(21) Appl. No.: **29/143,210**

(22) Filed: **Jun. 8, 2001**

(51) **LOC (7) Cl.** **17-01**

(52) **U.S. Cl.** **D17/9**

(58) **Field of Search** D6/411, 415, 449;
D17/1, 2, 5, 6, 9, 22, 99; 84/327, 421,
423 R, 428, 433, 434, 436, 720; 248/121

(56) **References Cited**

U.S. PATENT DOCUMENTS

D261,703 S	*	11/1981	Plummer	D6/449
D295,872 S	*	5/1988	Koumarios	D17/22
D324,231 S	*	2/1992	Mutoh	D17/9
D379,208 S	*	5/1997	Kulisek, Jr.	D21/756
5,773,738 A	*	6/1998	Chou	84/720
D407,173 S	*	3/1999	Marshall	D30/124

* cited by examiner

Primary Examiner—Adir Aronovich

(74) *Attorney, Agent, or Firm*—Townsend and Townsend and Crew LLP

(57) **CLAIM**

The ornamental design for a musical keyboard, as shown and described.

The musical keyboard is intended to be used as part of an electronic musical instrument or system.

FIG. 1 is a perspective view of a musical keyboard showing one embodiment of my new design;

FIG. 2 is a front elevational view thereof;

FIG. 3 is a rear elevational view thereof;

FIG. 4 is a right side elevational view thereof;

FIG. 5 is a left side elevational view thereof;

FIG. 6 is a top plan view thereof;

FIG. 7 is a bottom plan view thereof;

FIG. 8 is an enlarged partial sectional view of the musical keyboard shown in FIG. 1, taken along the line 8—8 of FIG. 1;

FIG. 9 is a perspective view of a musical keyboard showing a second embodiment of my new design, the keys on the musical keyboard having a different shape than the keys in the first embodiment;

FIG. 10 is an enlarged partial sectional view of the musical keyboard shown in FIG. 9, taken along the line 10—10 of FIG. 9.

FIG. 11 is a perspective view of a musical keyboard showing a third embodiment of my new design, the keys being arranged on the musical keyboard so as to be seen as a mirror image of the keys in the first embodiment;

FIG. 12 is a front elevational view thereof;

FIG. 13 is a rear elevational view thereof;

FIG. 14 is a right side elevational view thereof;

FIG. 15 is a left side elevational view thereof;

FIG. 16 is a top plan view thereof;

FIG. 17 is a bottom plan view thereof; and,

FIG. 18 is an enlarged partial sectional view of the musical keyboard shown in FIG. 11, taken along the line 18—18 of FIG. 11.

The portions of the musical keyboard shown in phantom are for illustration purposes only and form no part of the claimed invention.

1 Claim, 11 Drawing Sheets



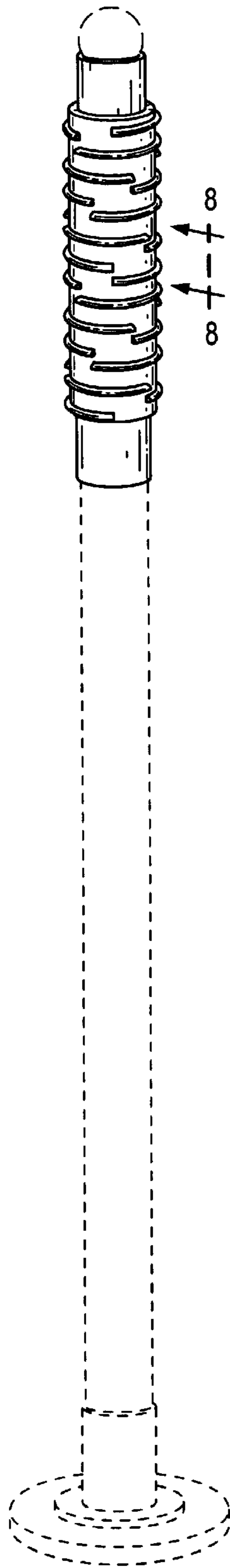


FIG.1

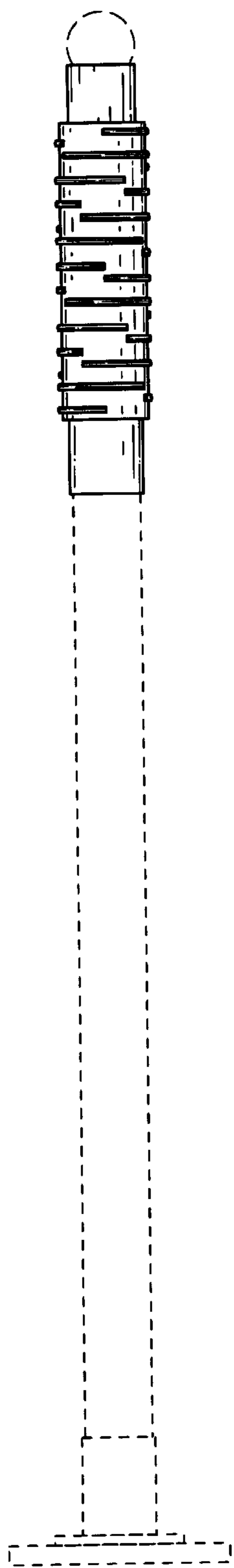


FIG.2

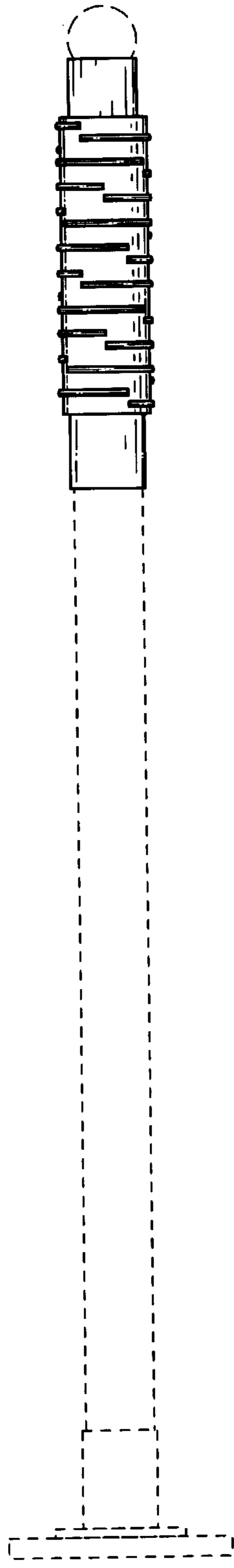


FIG.3

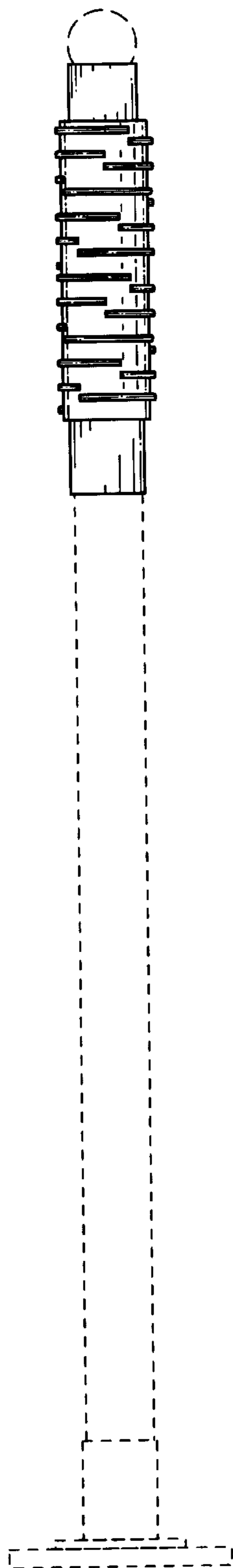


FIG.4

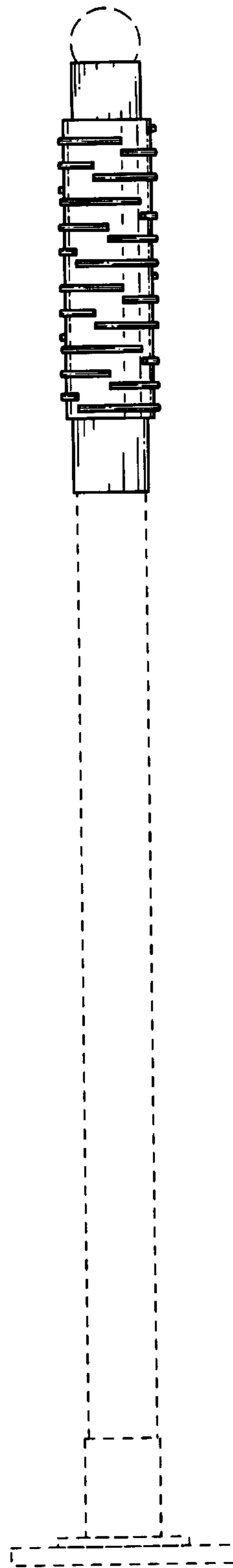


FIG.5

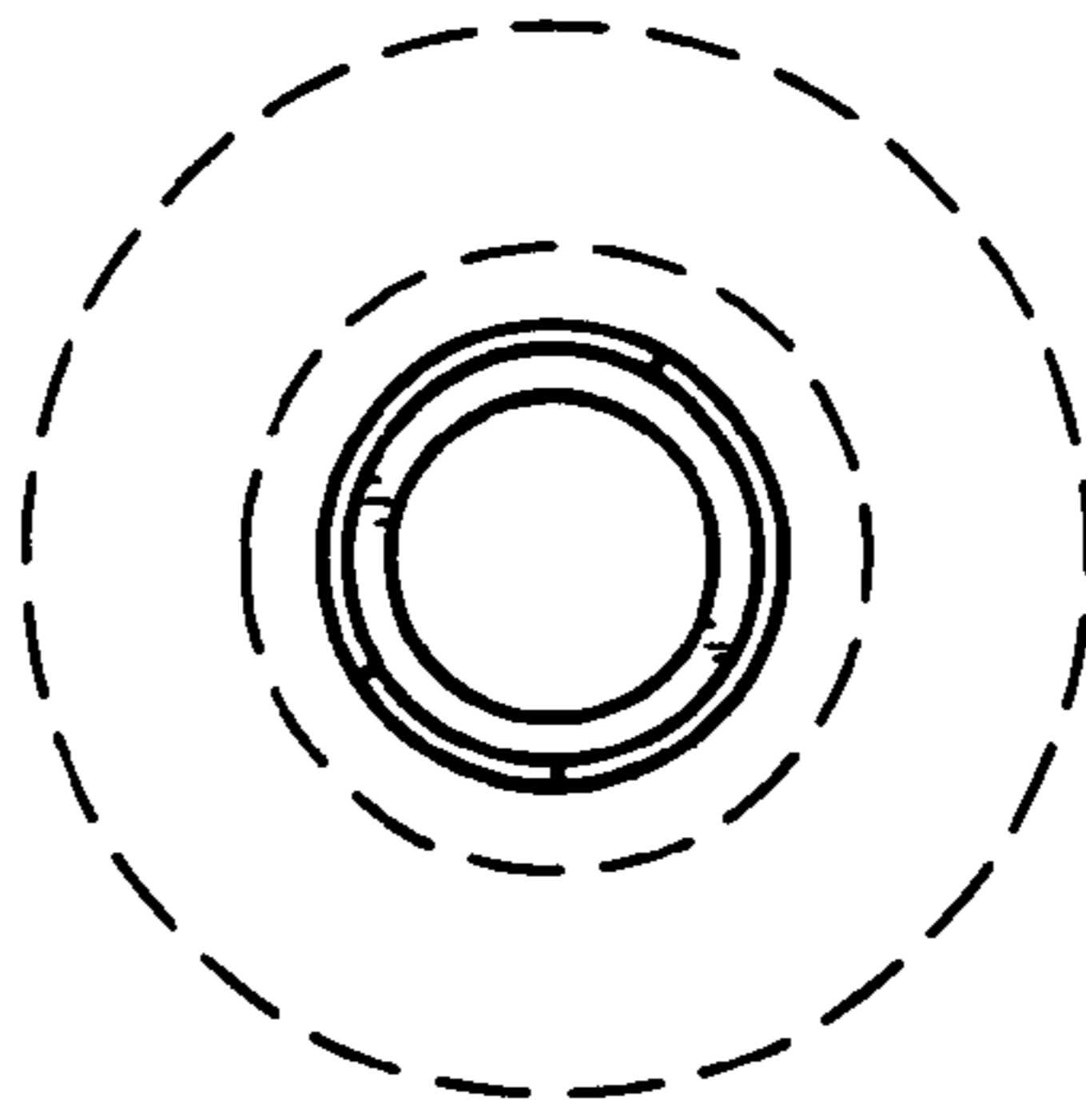


FIG. 6

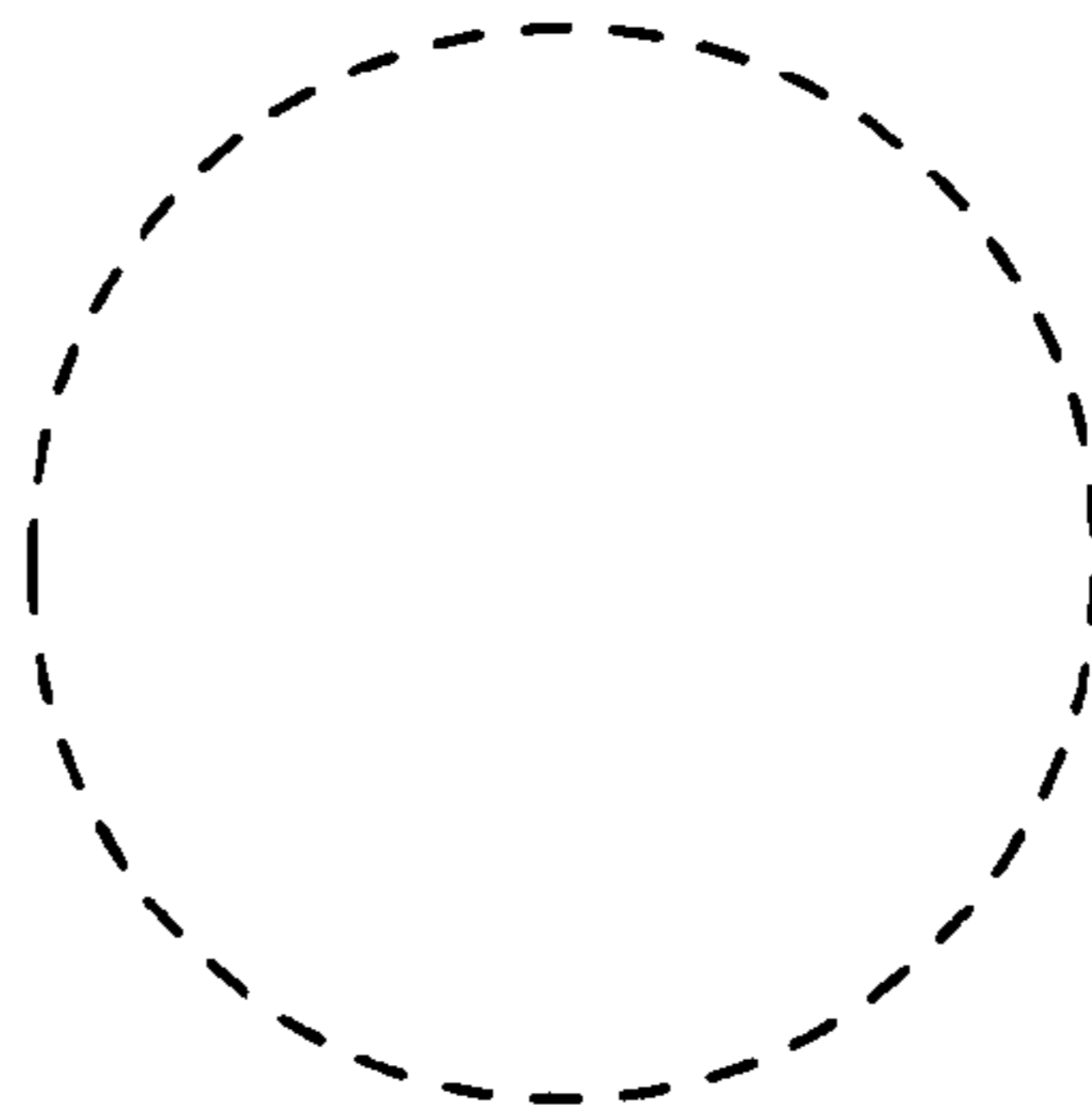


FIG. 7

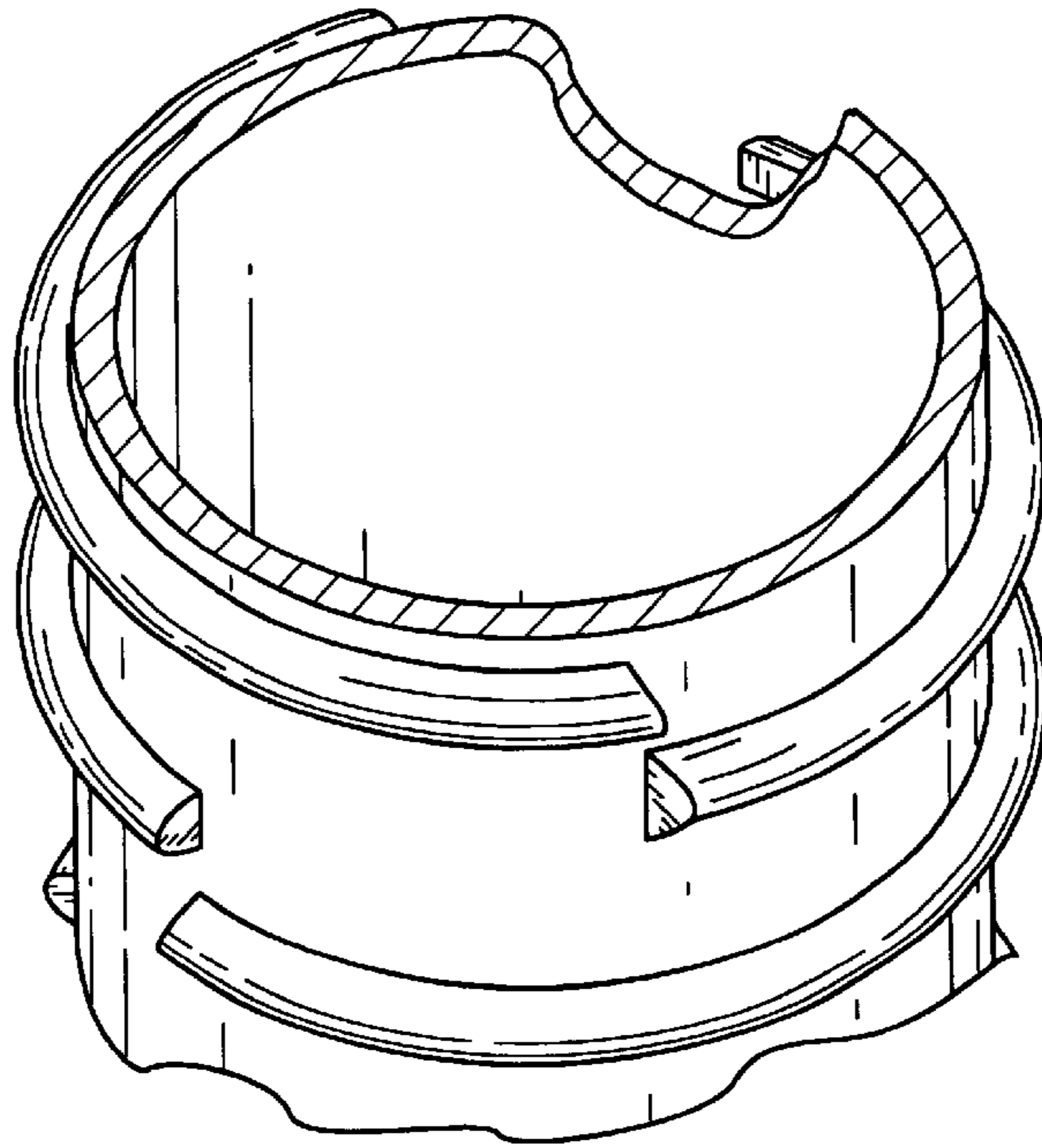


FIG. 8

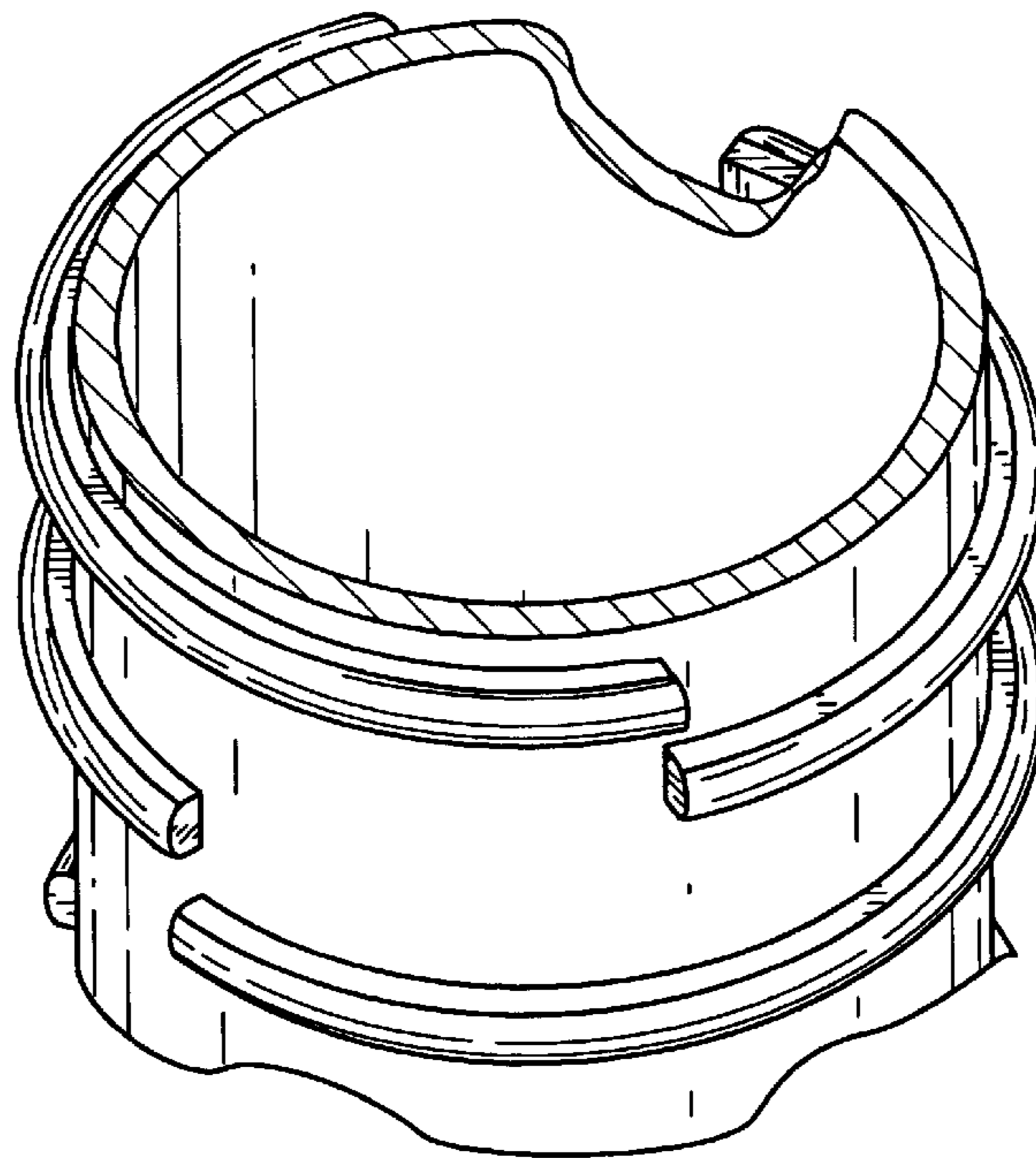


FIG. 10

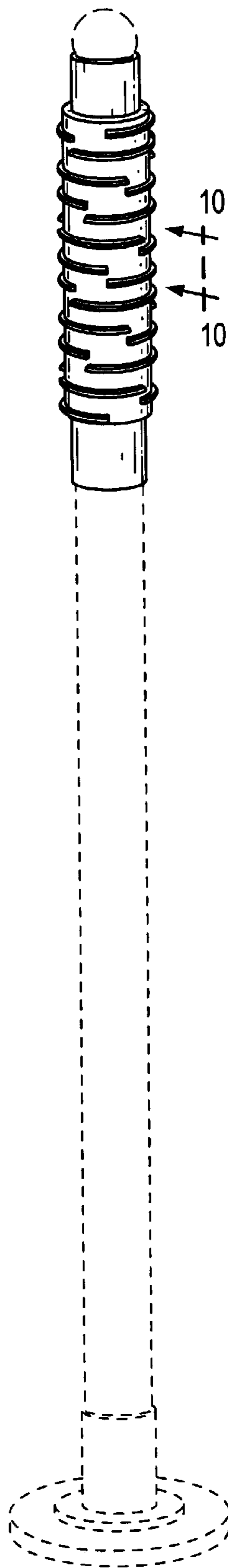


FIG.9

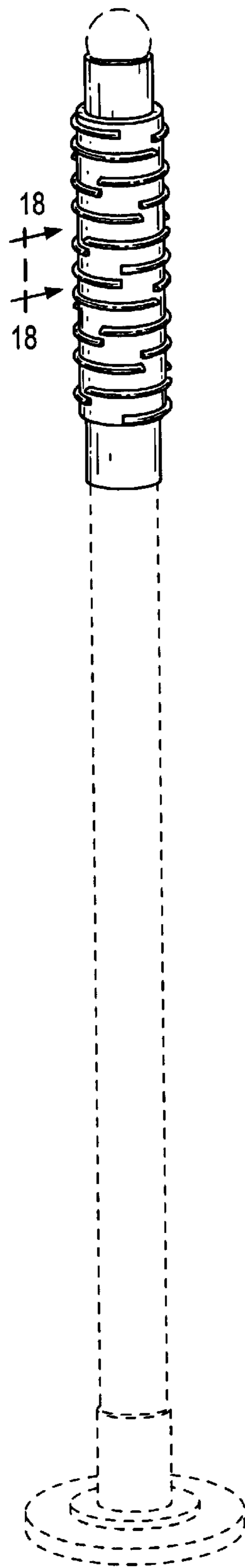


FIG.11

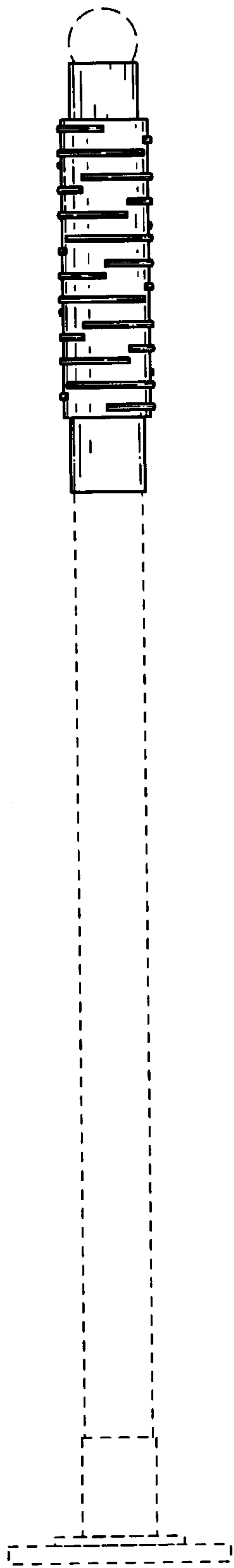


FIG. 12

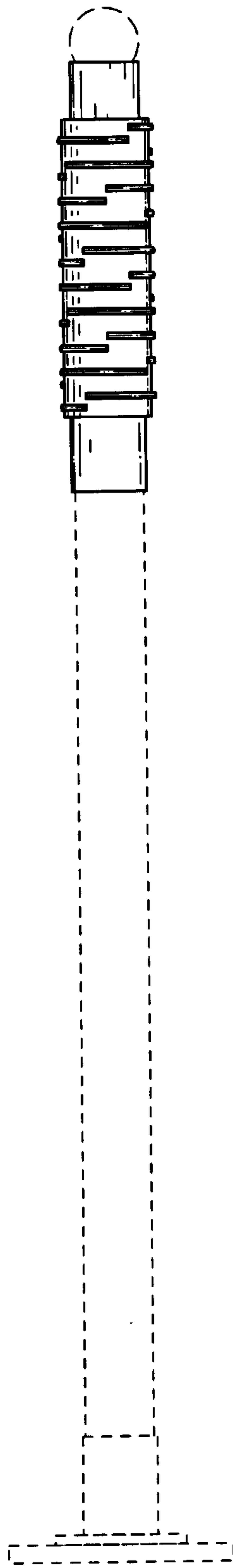


FIG. 13

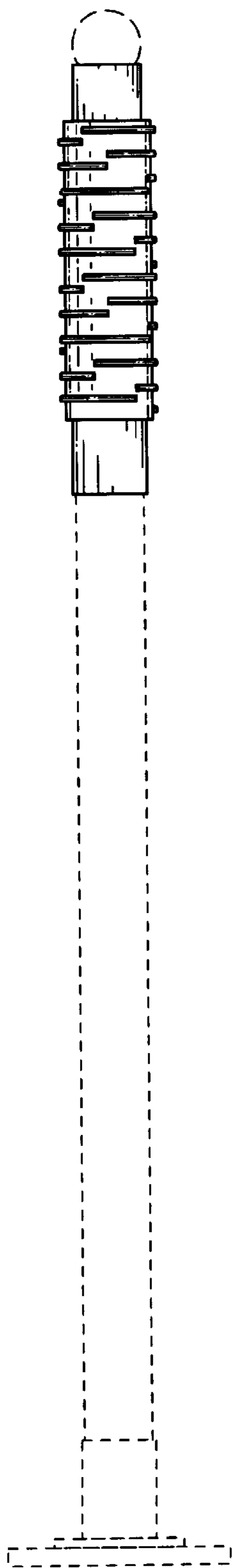


FIG. 14

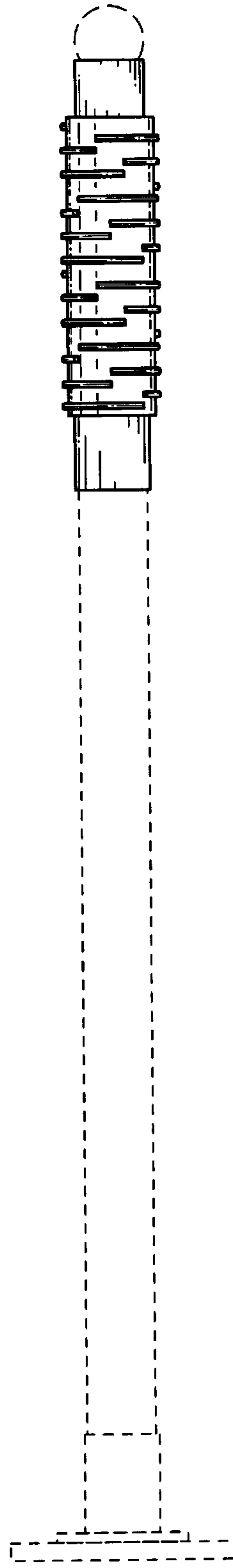


FIG. 15

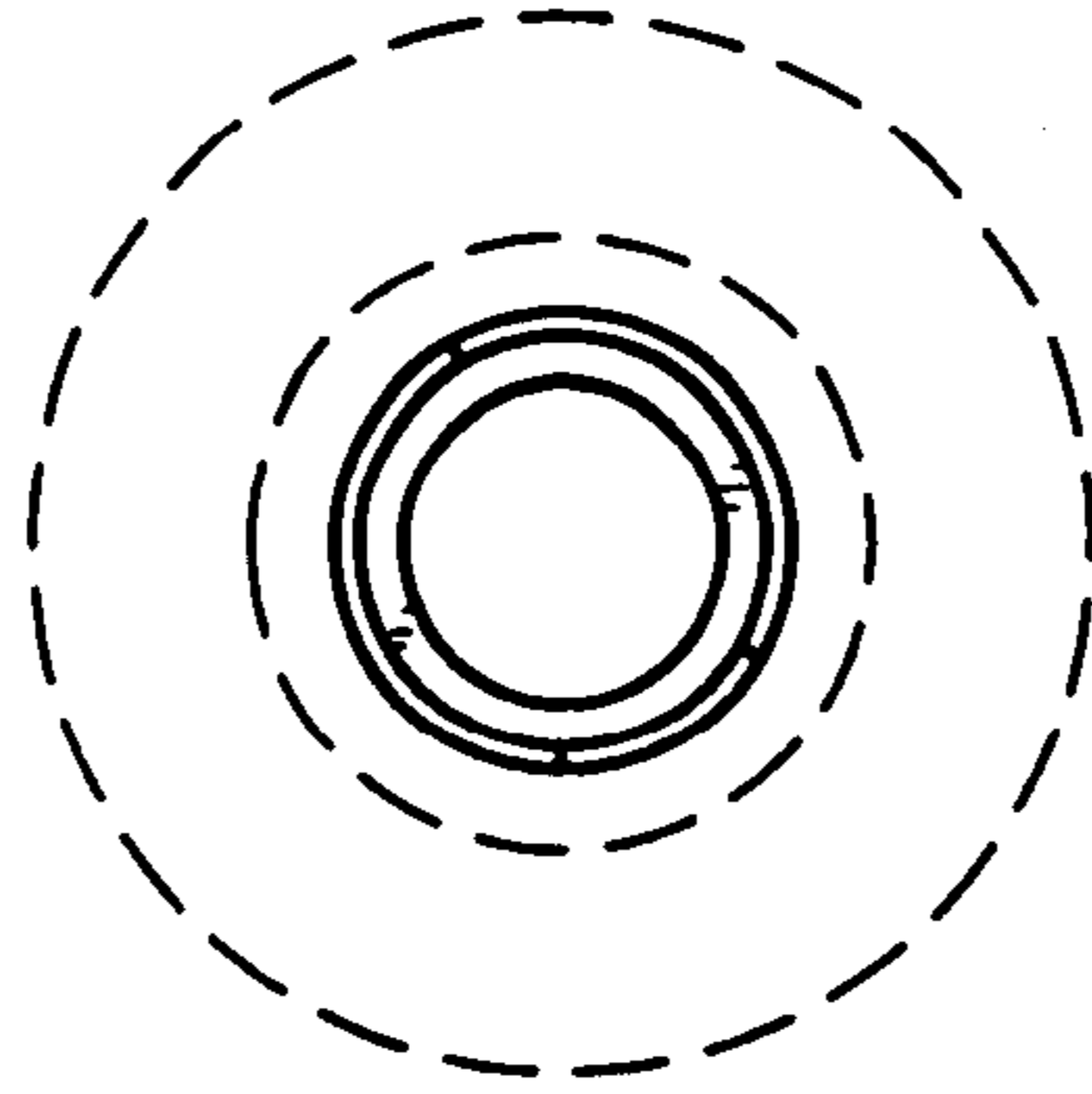


FIG.16

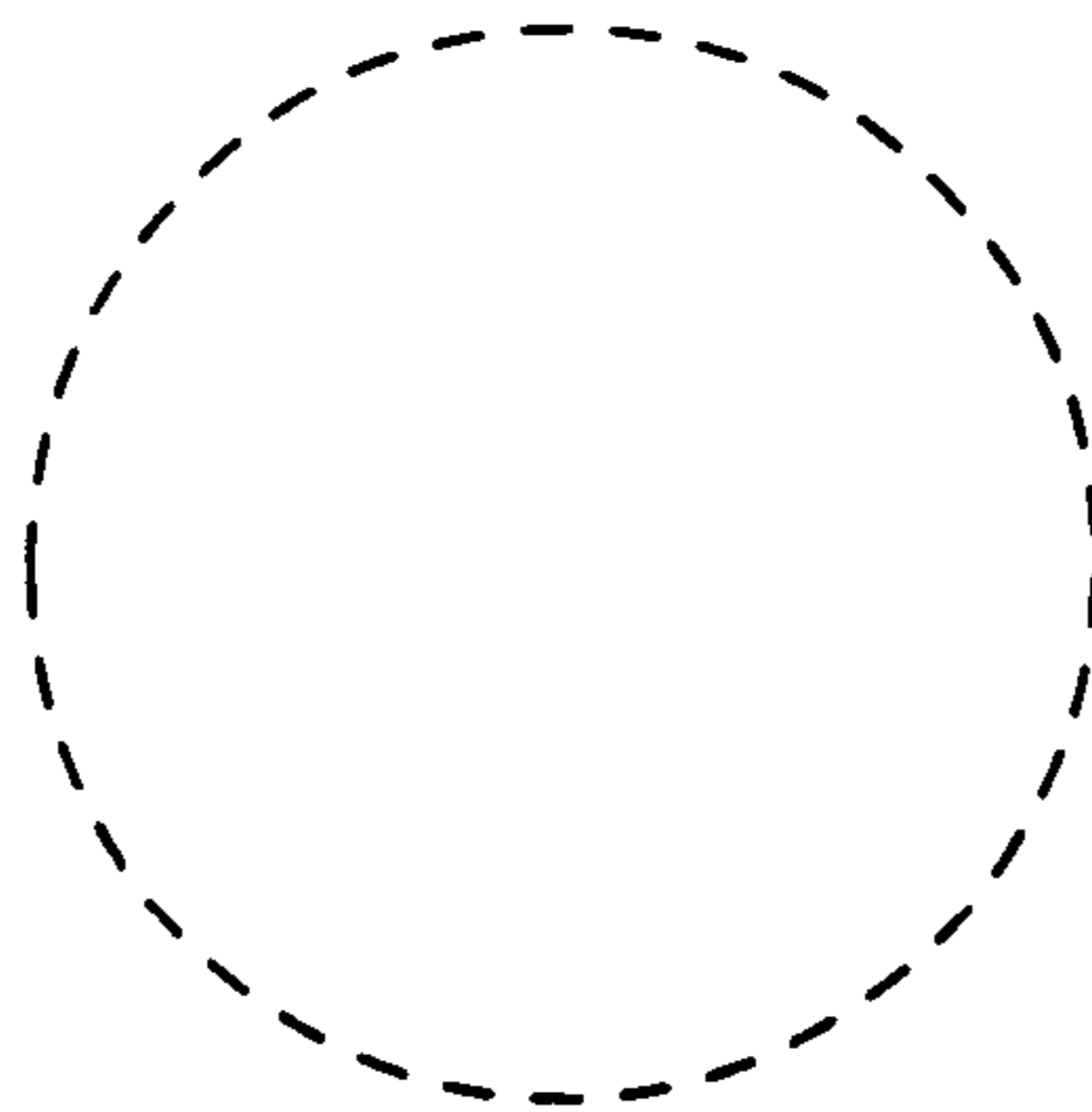


FIG.17

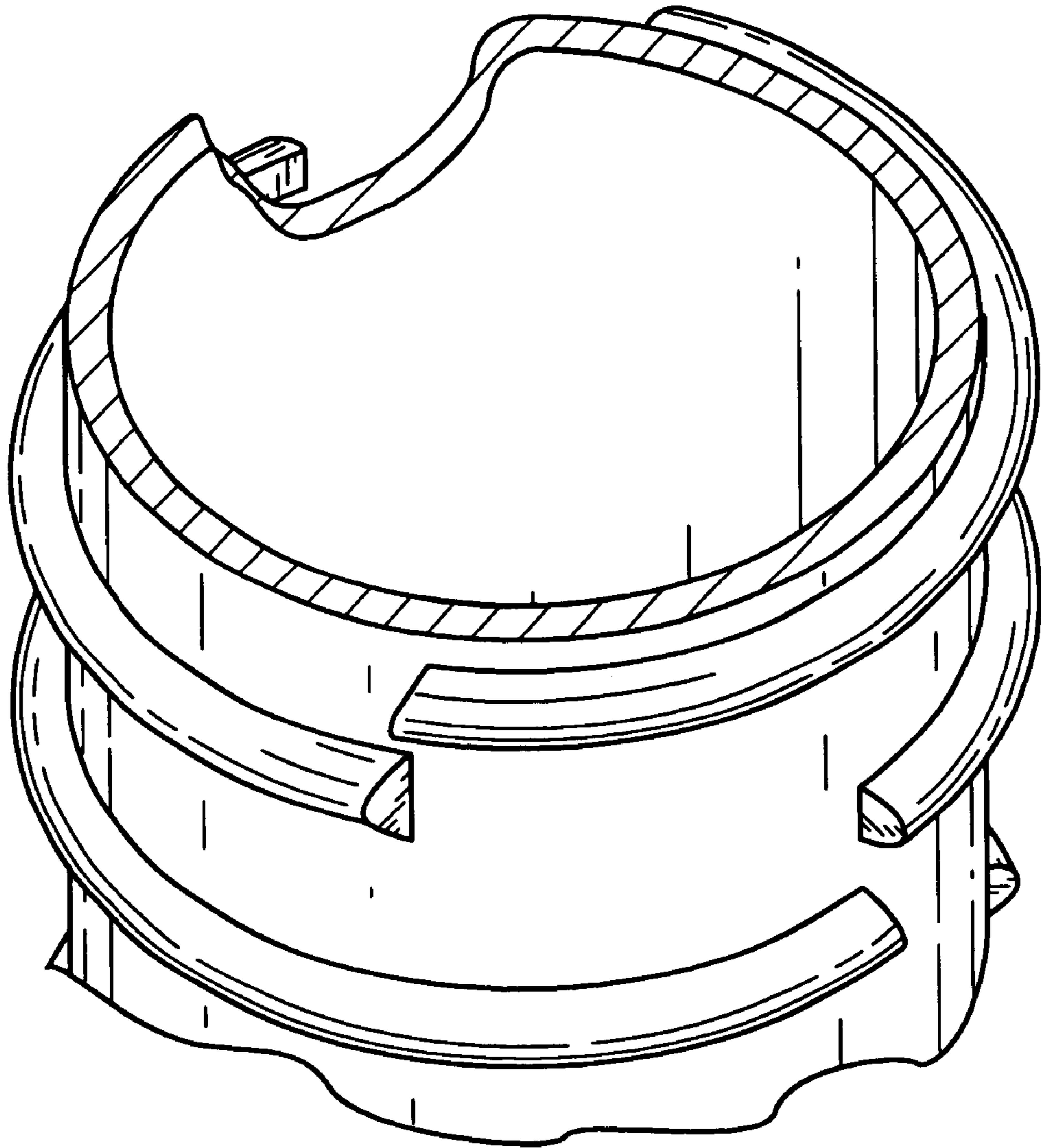


FIG.18